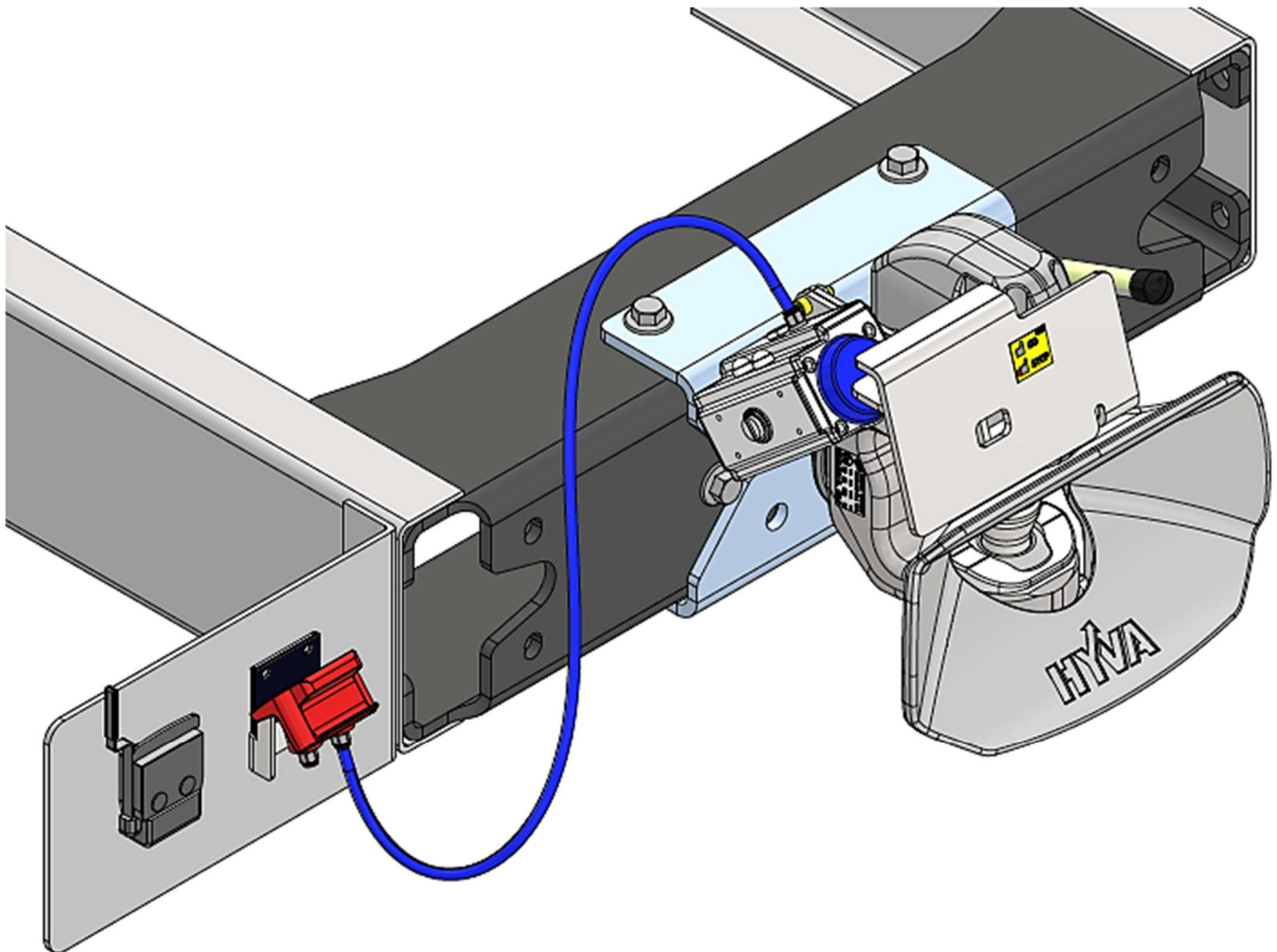




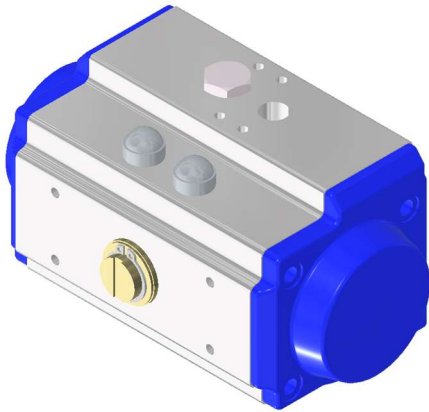
- EN Installation and operating instructions**
- DE Installations- und Betriebsanleitung**
- FR Instructions de montage et d'utilisation**
- ES Instrucciones de montaje y uso**
- IT Istruzioni di montaggio e uso**
- PT Instruções de montagem e uso**

Table of Contents

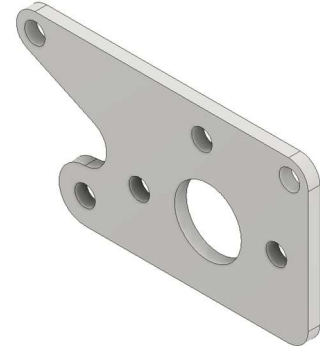
A.	PARTS FOR MOUNTING PNEUMATIC KIT – CK5000001.....	3
B.	STEPS FOR MOUNTING PNEUMATIC KIT	4
C.	PARTS FOR MOUNTING DUOMATIC CONNECTOR – CK0100003	6
D.	PARTS FOR MOUNTING PALM CONNECTOR – CK0100002	6
E.	STEPS FOR MOUNTING PNEUMATIC KIT WITH DRAWBAR COUPLING	7
F.	OPERATING	9



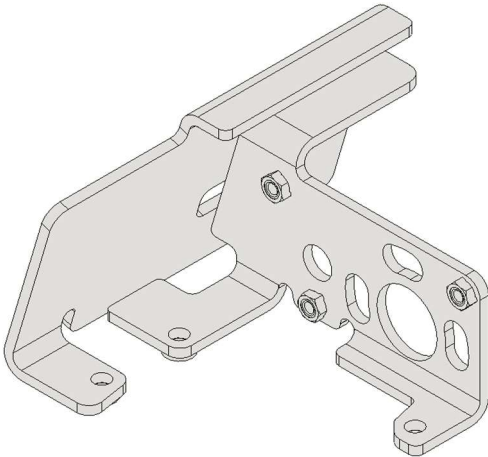
A. PARTS FOR MOUNTING PNEUMATIC KIT – CK5000001



01



02



03



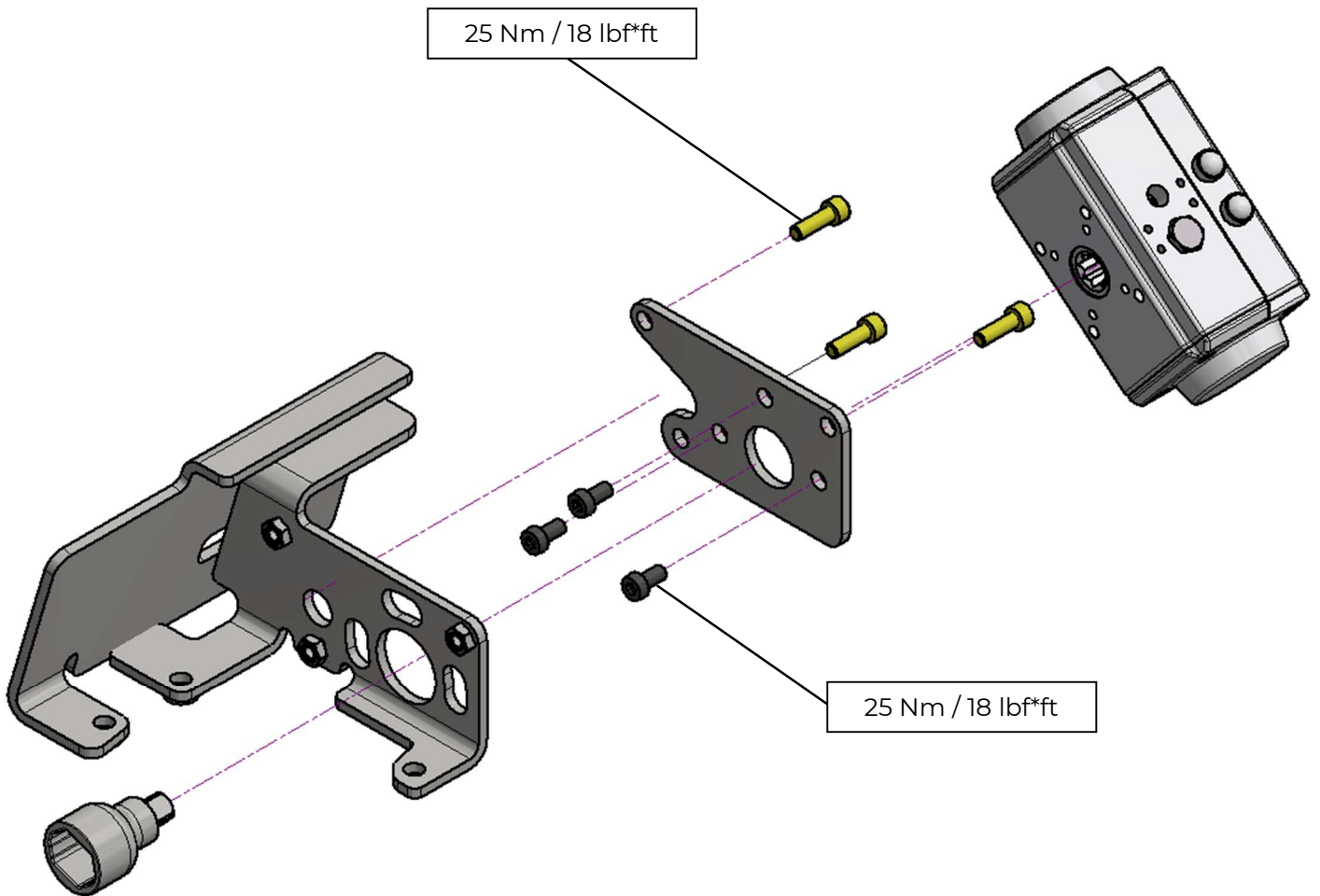
04

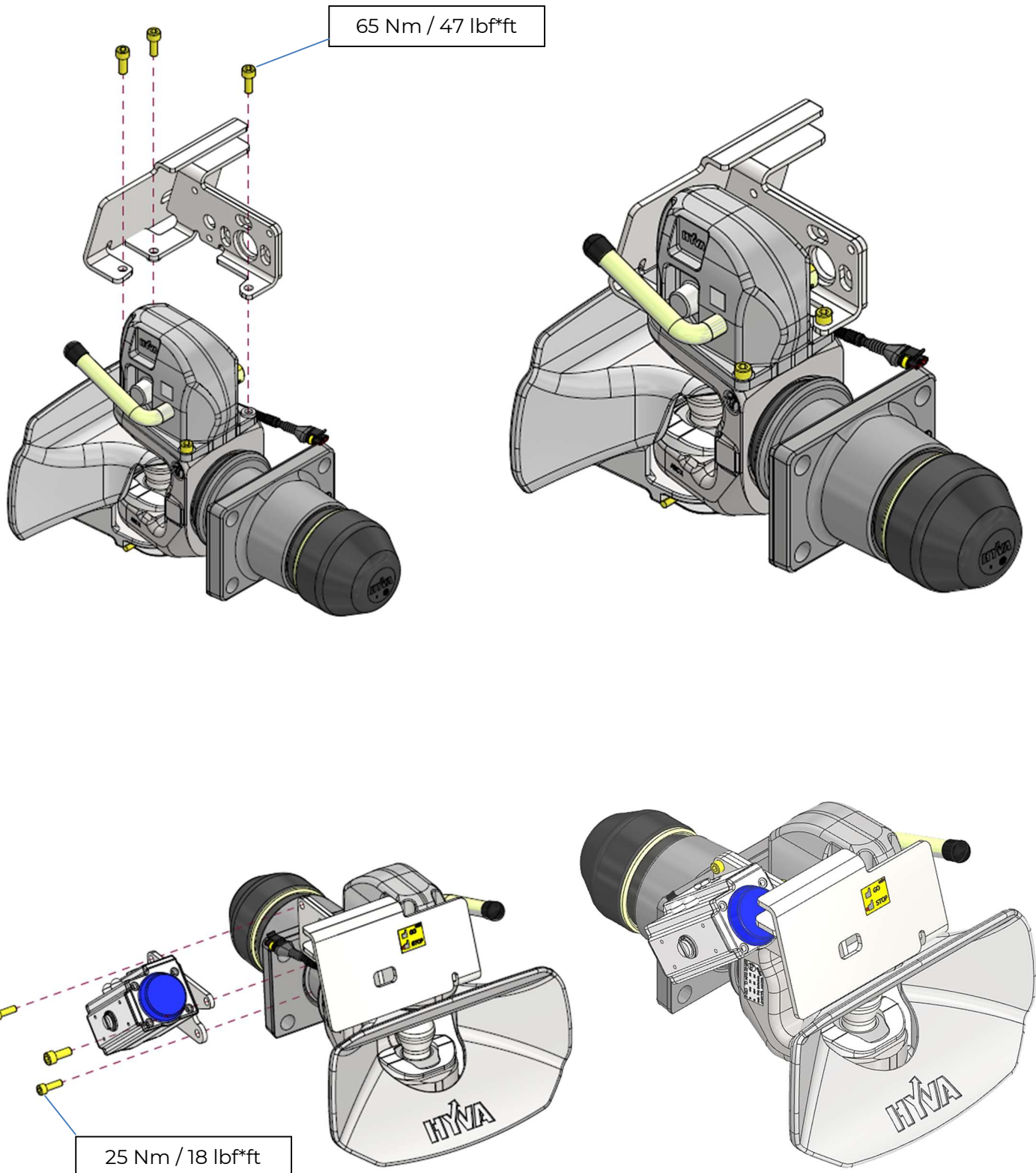


05

Drawbar coupling remote Opening hybrid kit		
No.	Description	Qty
01	Rotating Pneumatic Actuator Ø63	1
02	Drawbar Coupling Pneumatic Cylinder Bracket	1
03	Drawbar Coupling Bracket	1
04	Adapter	1
05	Hexagon Socket Head Cap Screw M8x16 DIN 7984	6

B. STEPS FOR MOUNTING PNEUMATIC KIT





C. PARTS FOR MOUNTING DUOMATIC CONNECTOR – CK0100003



01



02



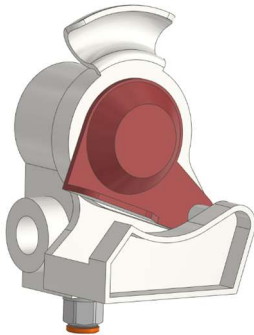
03



04

No.	DESCRIPTION	Qty
01	Duomatic Connector with rapid connector for pipe diameter 8mm	1
02	Connector for Pipe diameter 8mm Cylindrical thread G 1/4''	1
03	Pipe diameter 8x1 DIN 74324 l = 3meters	1
04	Chassis Bracket for Duomatic Connector	1

D. PARTS FOR MOUNTING PALM CONNECTOR – CK0100002



01



02



03



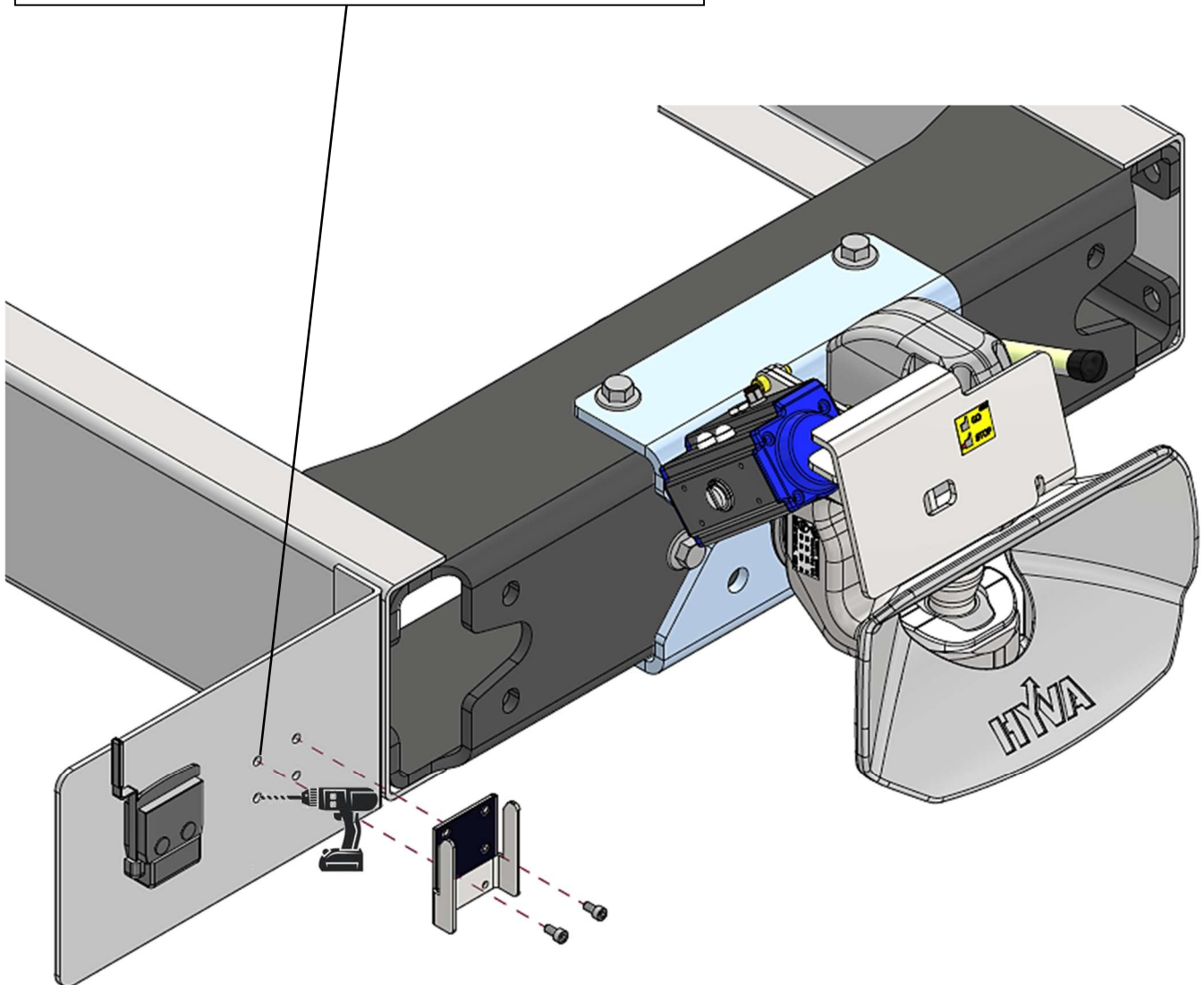
04

No.	DESCRIPTION	Qty
01	Palm Connector with rapid connector for pipe diam. 8	1
02	Connector for Pipe diam. 8 Cylindrical thread G 1/4''	1
03	Pipe diam. 8x1 DIN 74324 l = 3meters	1
04	Chassis Bracket for Palm Connector	1

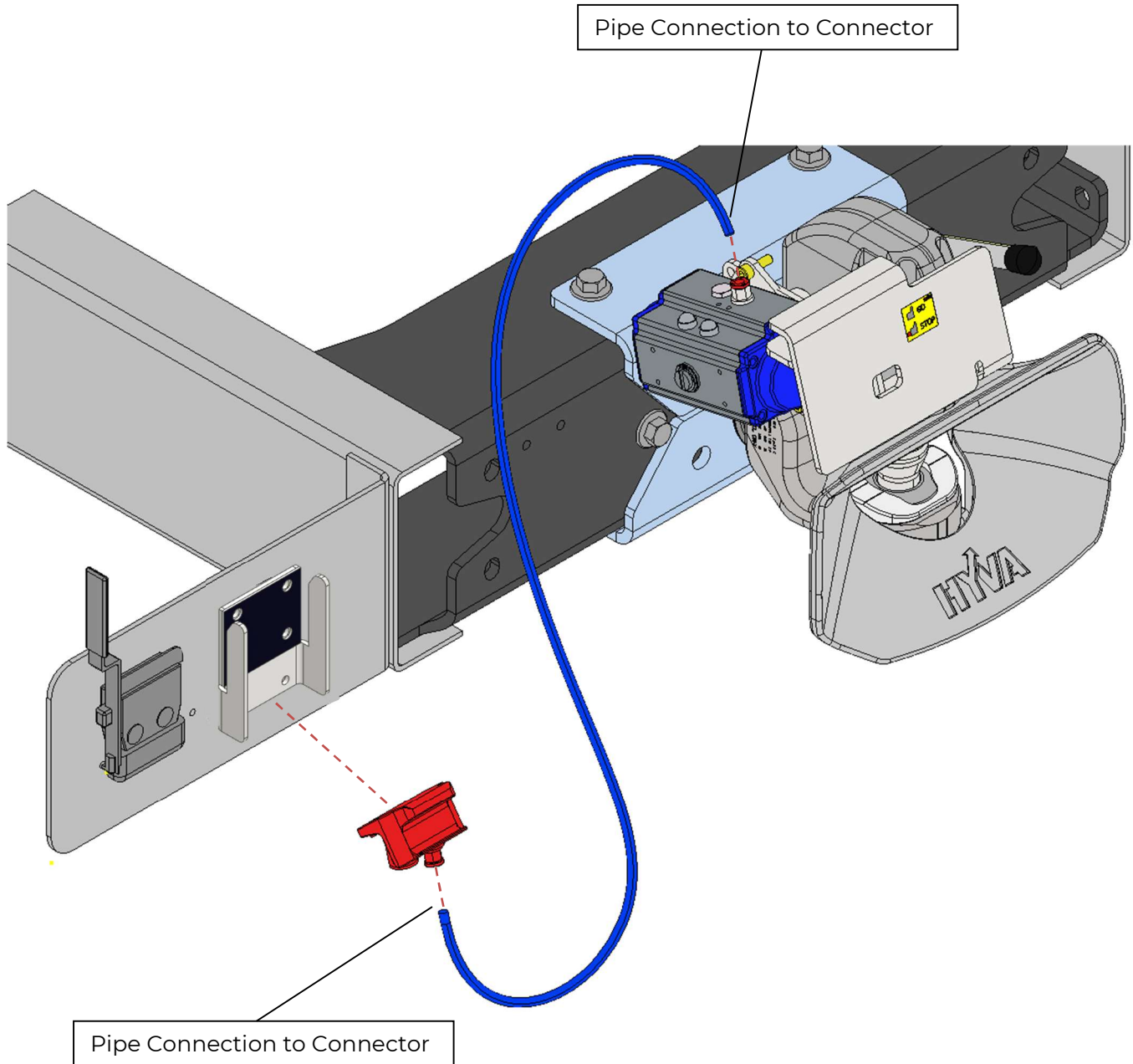
E. STEPS FOR MOUNTING PNEUMATIC KIT WITH DRAWBAR COUPLING

1. Drill the holes for Duomatic Connector Holder or Palm connector Holder according to the connecting type available on the truck

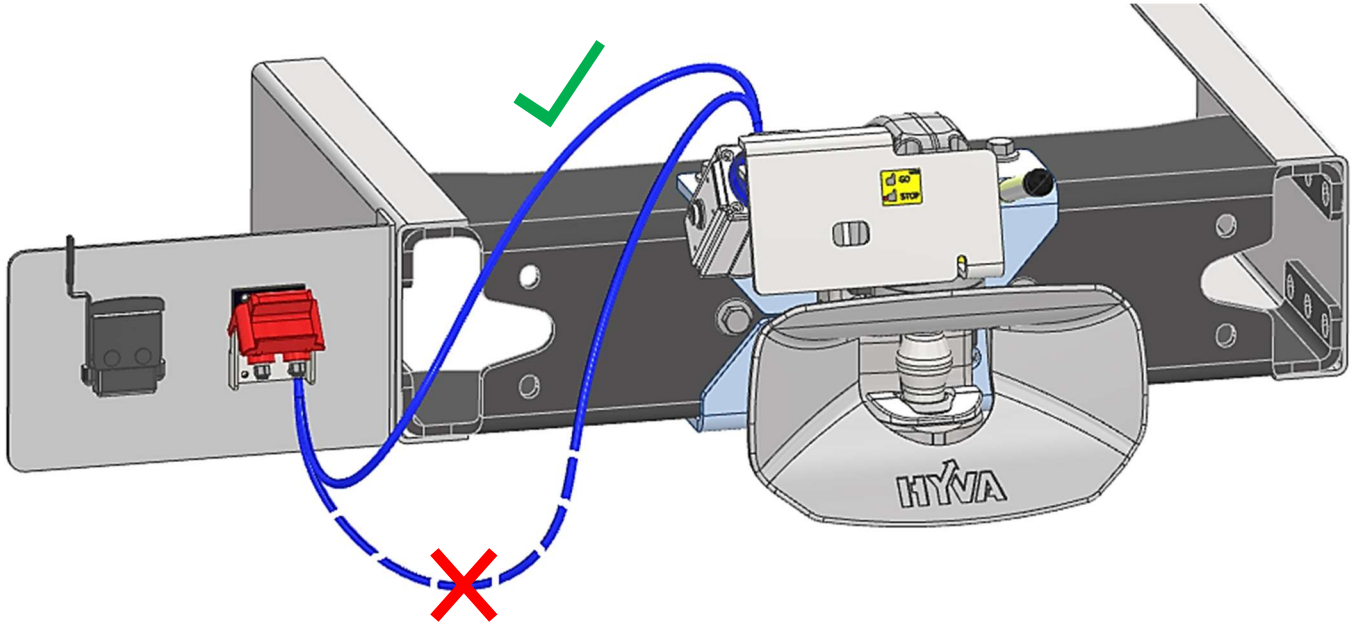
Drill Holes for Mounting Duomatic Connector Holder



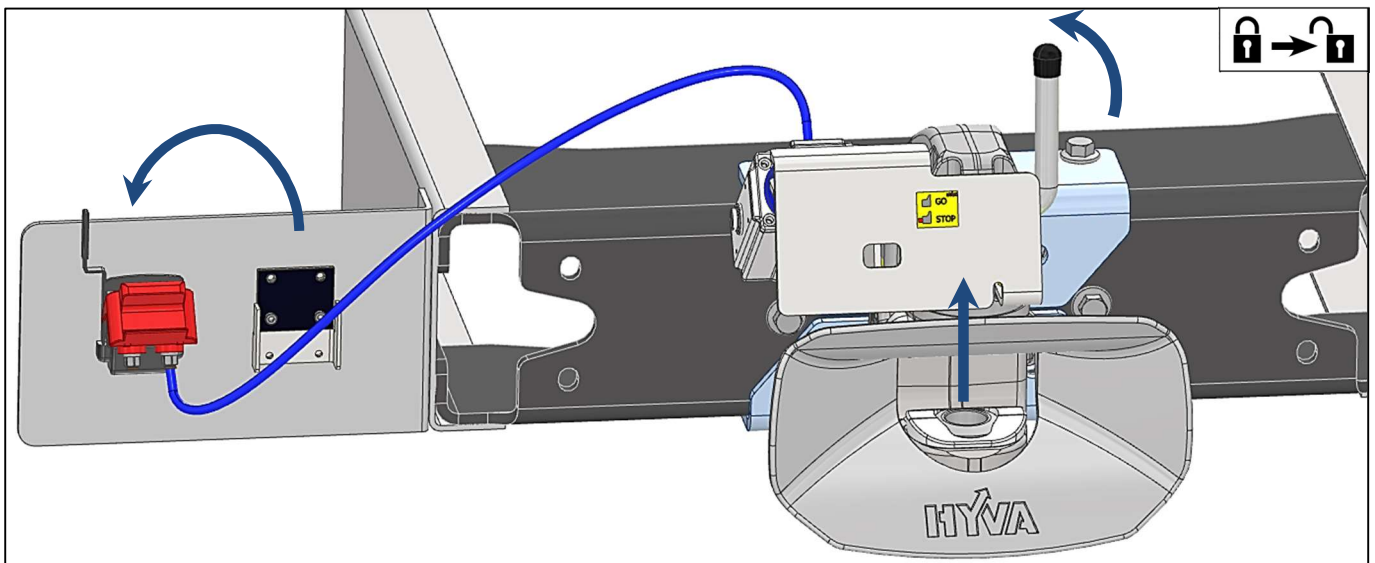
2. Step for mounting Duomatic Connector and Drawbar Coupling. (same procedure for Palm Connector)



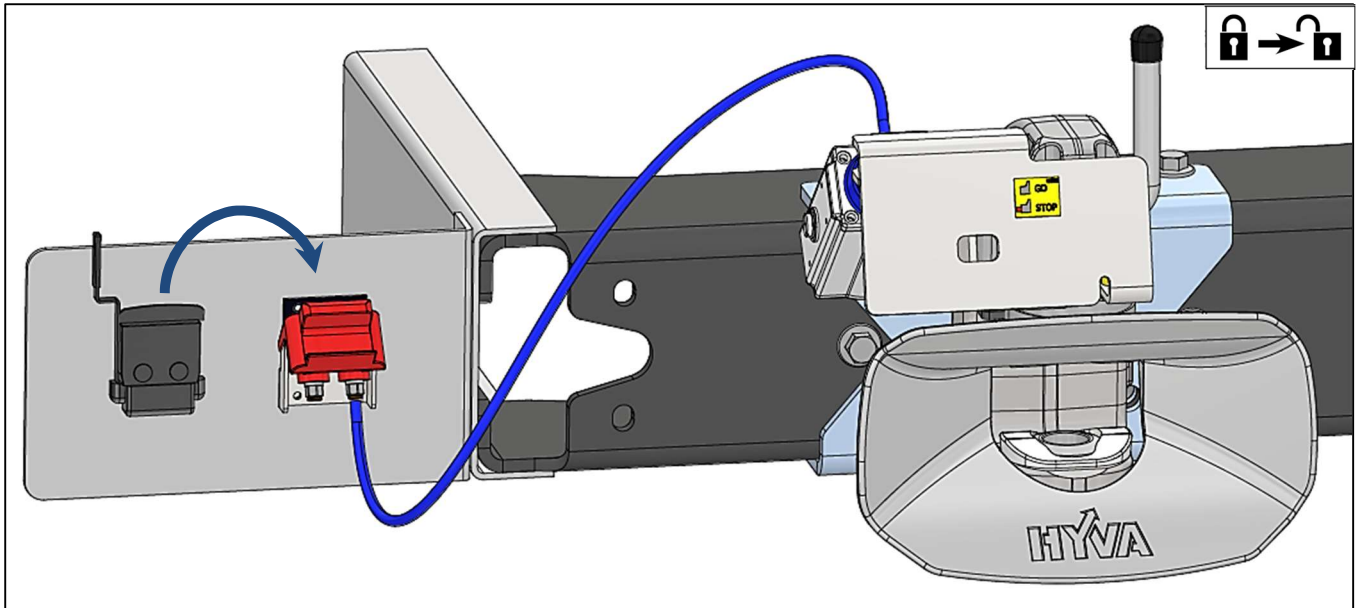
3. Drawbar Coupling and Pneumatic Kit Assembly.



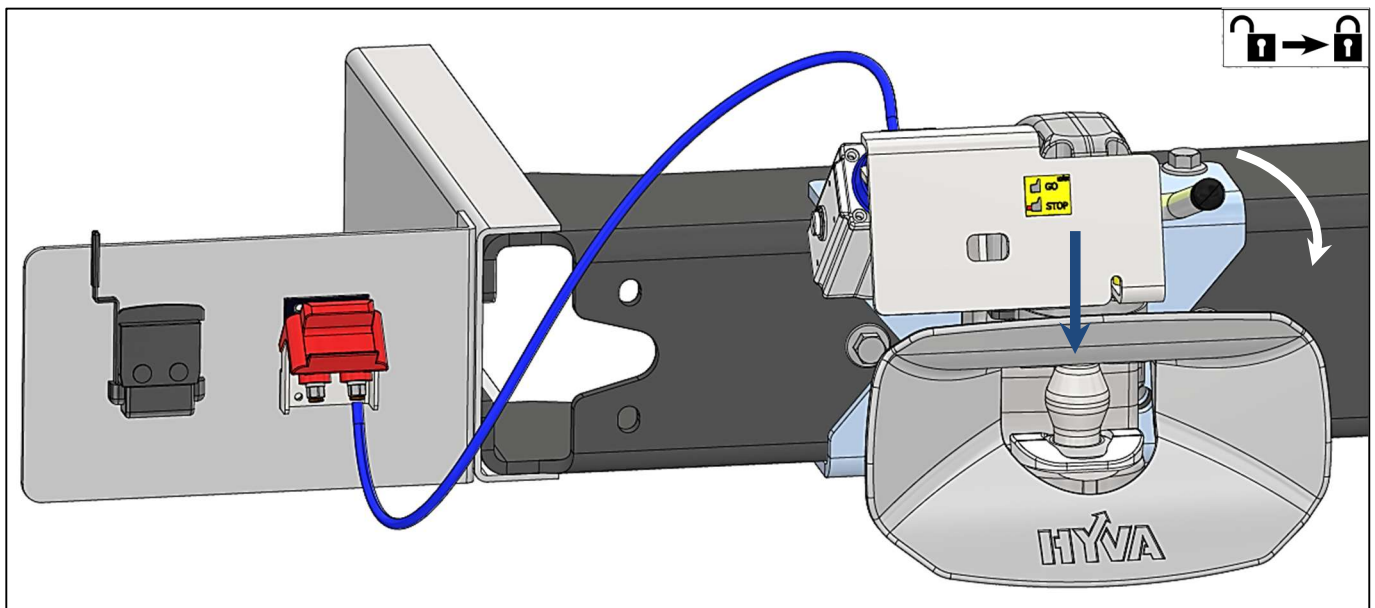
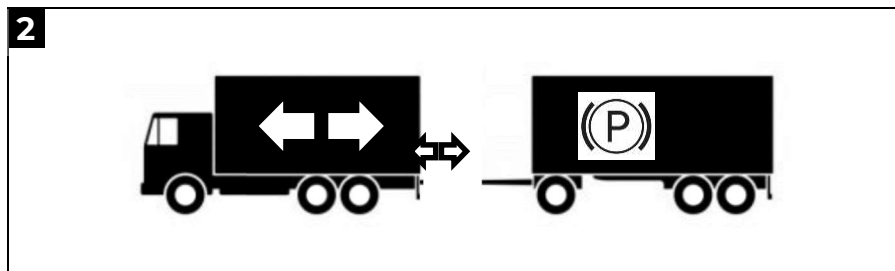
F. OPERATING



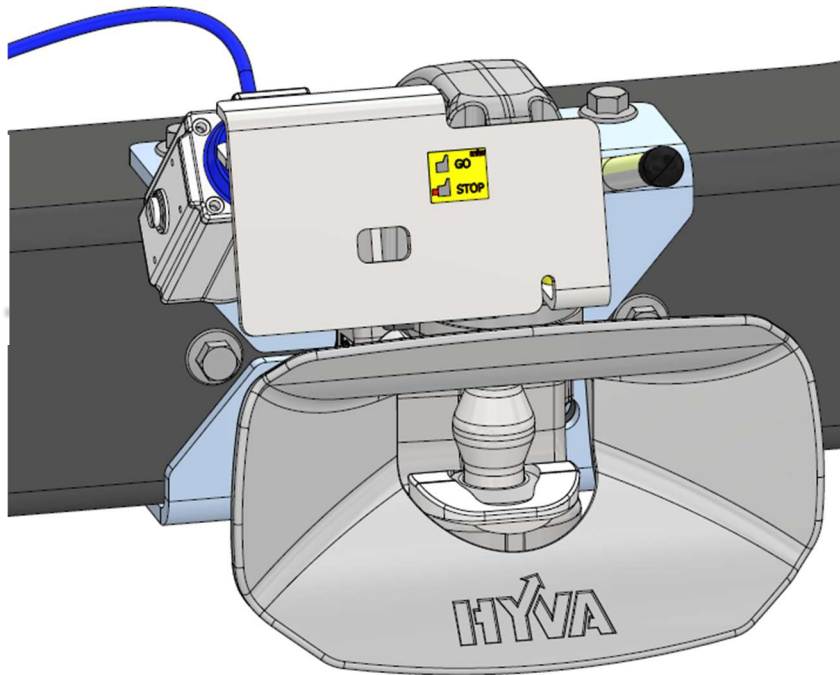
COUPLING OPENED



COUPLING READY



COUPLING CLOSED



FINAL INSPECTION

Produced in a certified company
HYVA International B.V.
Antonie van Leeuwenhoekweg 37
2400 AH Alphen aan den Rijn - The Netherlands
www.hyva.com