

OUT CAB CONTROL UNIT



- EN Installation and operating instructions**
- DE Installations- und Betriebsanleitung**
- FR Instructions de montage et d'utilisation**
- ES Instrucciones de montaje y uso**
- IT Istruzioni di montaggio e uso**
- PT Instruções de montagem e uso**

Table of Contents

A. PARTS FOR REMOTE INDICATION SENSOR KIT – CK01000012

B. STEPS FOR MOUNTING OUT CAB CONTROL UNIT.....3

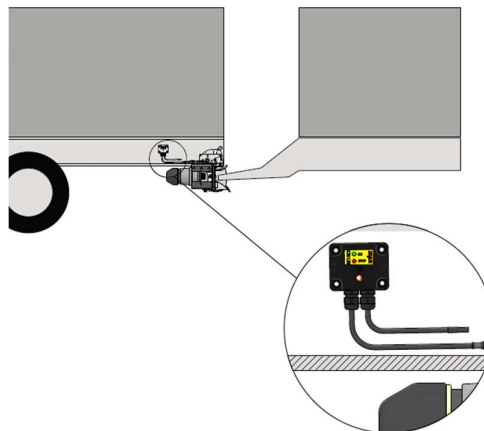
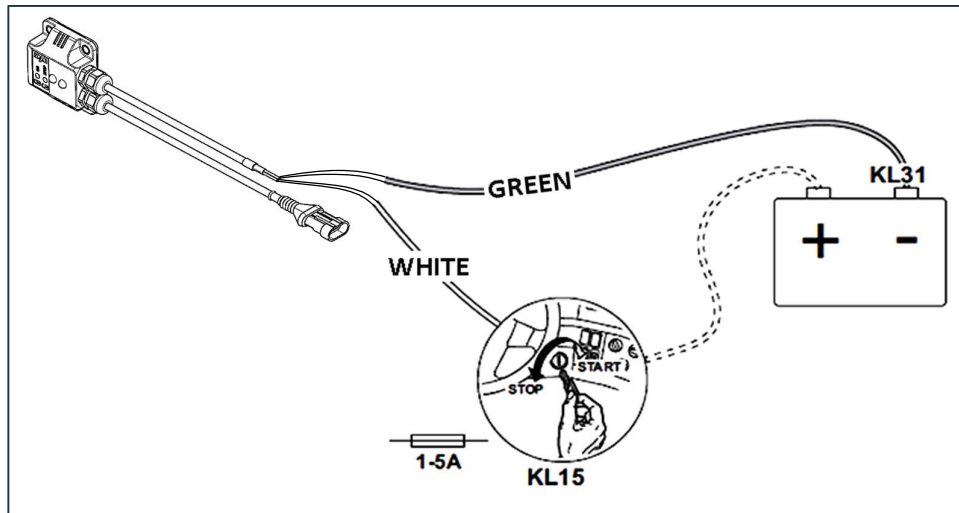
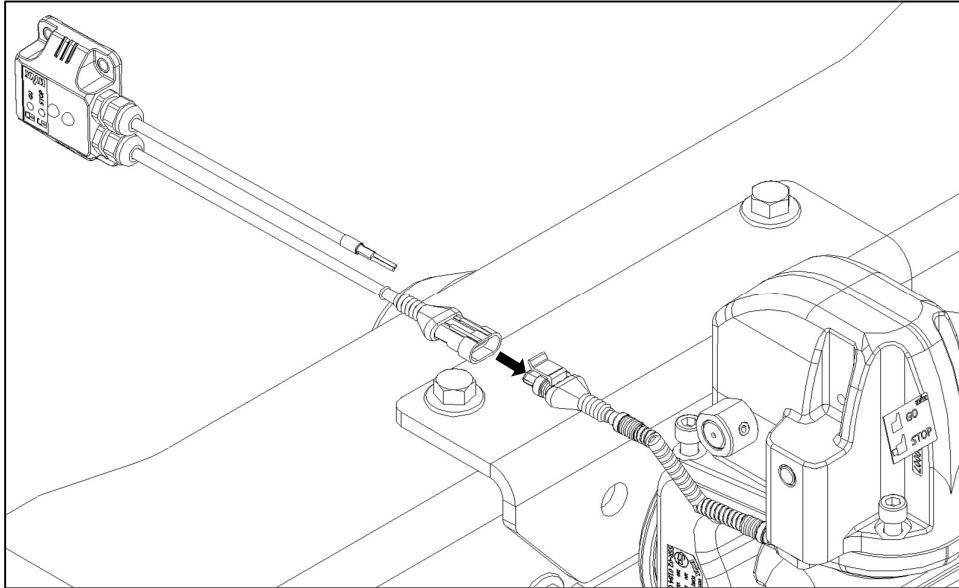
C. OPERATING 4

A. PARTS FOR REMOTE INDICATION SENSOR KIT – CK0100001

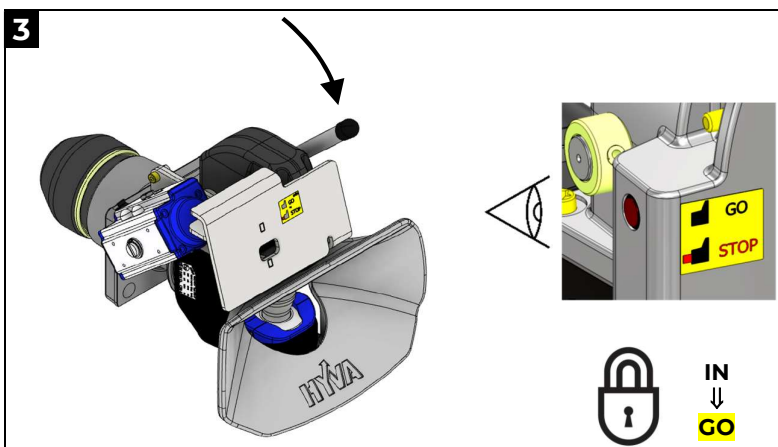
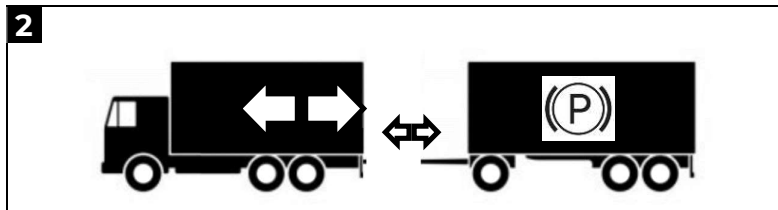
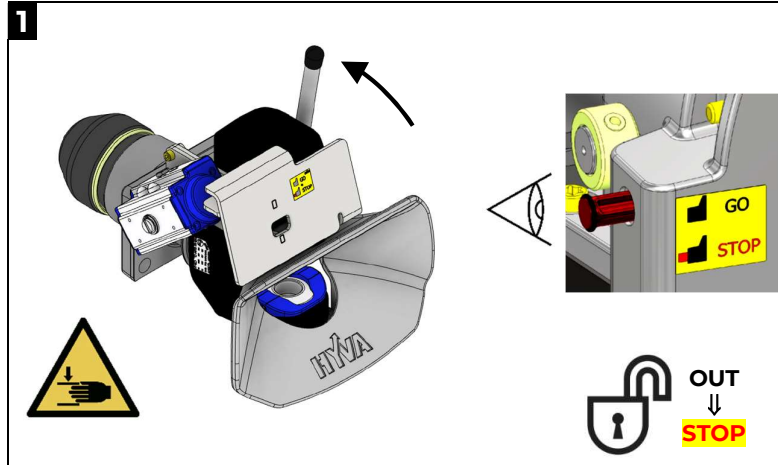


| No. | PART NUMBER | DESCRIPTION | Qty |
|-----|-------------|------------------------------------|-----|
| 01 | 3312557 | STANDARD REMOTE CONTROL UNIT | 1 |
| 02 | 3312504 | DRAWBAR COUPLING SENSOR | 1 |
| 03 | 3060085 | SCREW VTSPEI M4X16 ISO 106421 ZINC | 1 |

B. STEPS FOR MOUNTING OUT CAB CONTROL UNIT



C. OPERATING



Produced in a certified company
 HYVA International B.V.
 Antonie van Leeuwenhoekweg 37
 2400 AH Alphen aan den Rijn - The Netherlands
www.hyva.com