


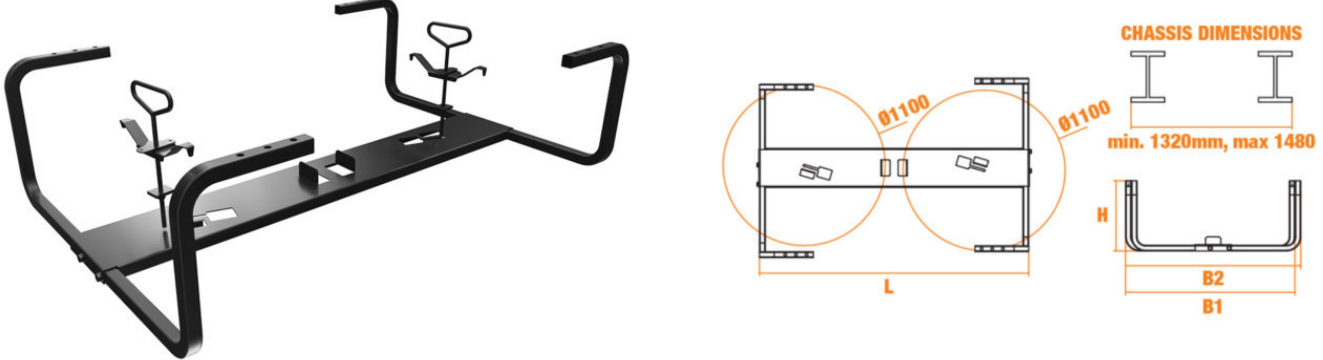


 **TAKLER**  
**SPARE WHEEL CARRIER**

## SPARE WHEEL CARRIER



cod.	L	B	H								
TK3510	1740	1190	498	17,48	1	30			L	B	H
									✓	✓	✓
	mm	mm	mm	kg							
	PATENTED		PATENT PENDING								



cod.	L	H	B1	B2								
TK3530	1836	498	1190	1230	36,33	1	10			L	B	H
										✓		
	mm	mm	mm		kg							
	PATENTED		PATENT PENDING									