



COMPONENT CATALOG  
**PIPES, CLAMPS & COUPLINGS**



PIPE AND PIPE CLAMPS .....	5
• PIPE.....	5
• HOSE/PIPE CLAMPS SINGLE.....	5
• HOSE/PIPE CLAMPS DOUBLE .....	5
PIPE COUPLINGS .....	6
• PIPE COUPLINGS BSPOTC - CONICAL FOR HOSE CONNECTIONS .....	6
• PIPE COUPLINGS BSPOT .....	6
• ELBOW FOR PIPE .....	7
• PIPE COUPLINGS PIPE - PIPE .....	7
• T-PIECE FOR PIPE.....	8
• STRAIGHT BULKHEAD ADAPTOR FOR PIPE.....	8
• PIPE COUPLINGS 90° SWIVEL PIPE - PIPE .....	9
• PIPE COUPLING STRAIGHT SWIVEL PIPE - PIPE .....	9
• PIPE COUPLINGS BSPOTC - PIPE (FOR WELDING).....	10
• BONDED SEALS.....	10



## PIPE

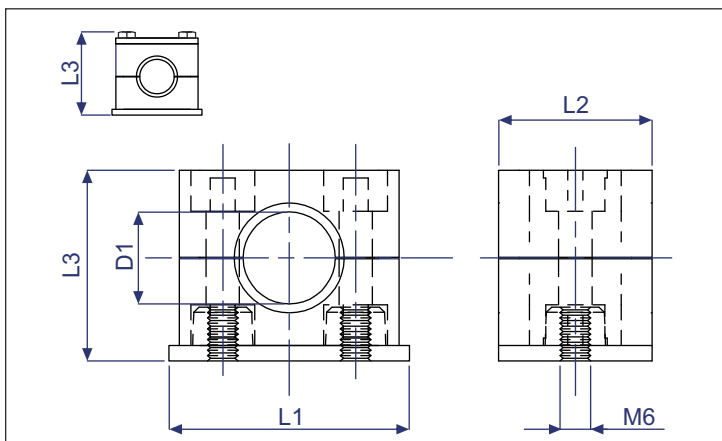
Part no.	Description	Max. pressure (bar)	Type
09229030	PIPE 12X1.5MM - ST37.4 - DIN2445/2 ZP	360	LIGHT
09229000	PIPE 15X1.5MM - ST37.4 - DIN2445/2 ZP	280	LIGHT
09229018	PIPE 20X2.5MM - ST37.4 - DIN2445/2 BL	360	STRONG
09229052	PIPE 22X2.0MM - ST37.4 - DIN2445/2 ZP	250	LIGHT
09229060	PIPE 25X2.5MM - ST37.4 - DIN2445/2	280	STRONG

\* Pipe only available in a length of 6m.



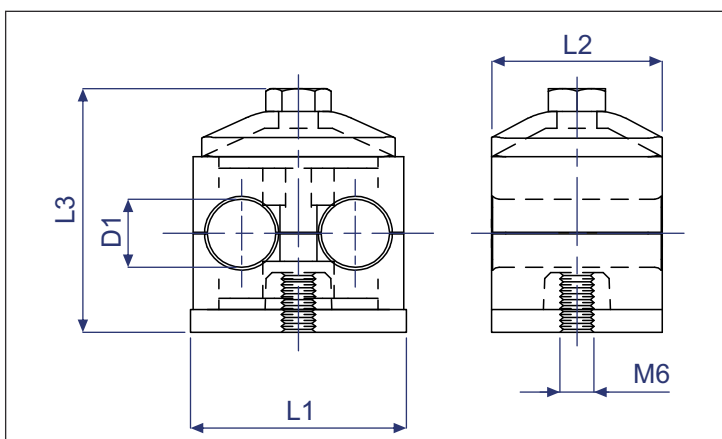
## HOSE/PIPE CLAMPS SINGLE

Part no.	Description	L1 (mm)	L2 (mm)	L3 (mm)	D1 (mm)
14959008	CLAMP HOSE/PIPE SINGLE Ø12 MM	42	30	30	12
14959010	CLAMP HOSE/PIPE SINGLE Ø15 MM	48	30	37	15
14959016	CLAMP HOSE/PIPE SINGLE Ø18 MM	48	30	37	18
14959018	CLAMP HOSE/PIPE SINGLE Ø20 MM	50	30	45	20
14959020	CLAMP HOSE/PIPE SINGLE Ø22 MM	50	30	45	22
14959026	CLAMP HOSE/PIPE SINGLE Ø25 MM	50	30	45	25



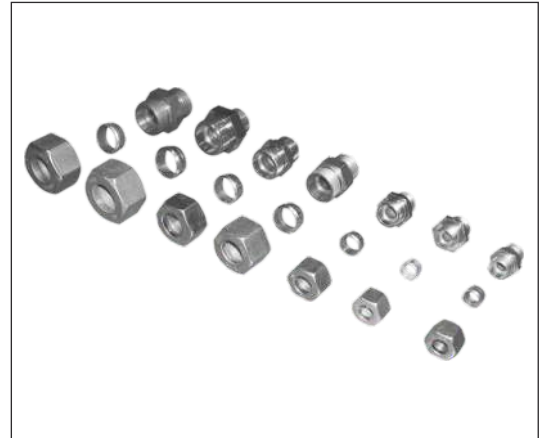
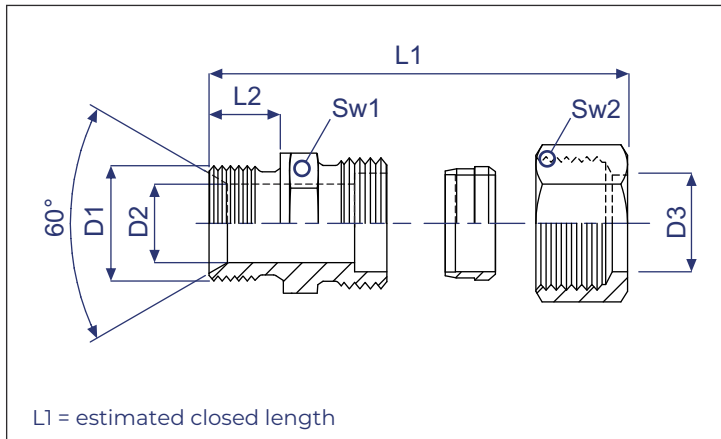
## HOSE/PIPE CLAMPS DOUBLE

Part no.	Description	L1 (mm)	L2 (mm)	L3 (mm)	D1 (mm)
14959110	CLAMP HOSE/PIPE DOUBLE Ø12 MM	37	35	41	12
14959120	CLAMP HOSE/PIPE DOUBLE Ø15 MM	56	35	41	15
14959150	CLAMP HOSE/PIPE DOUBLE Ø18 MM	70	30	55	18



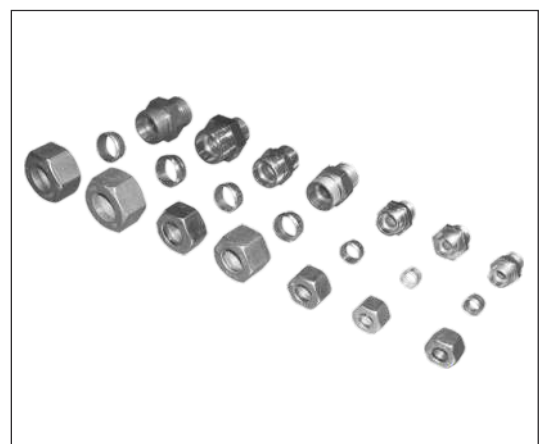
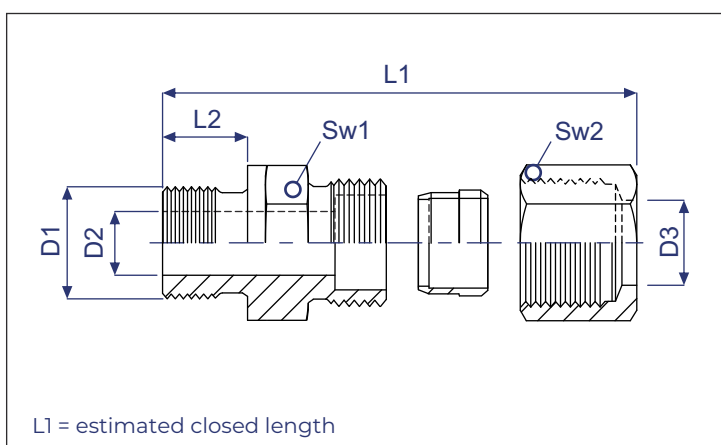
## PIPE COUPLINGS BSPOTC - CONICAL FOR HOSE CONNECTIONS

Part no.	Description	L1 (mm)	L2 (mm)	D1 (")	D2 (mm)	D3 (mm)	Sw1 (mm)	Sw2 (mm)	Type
14950505	ADAPTOR HP - 00 - 3/8" BSPOT - PIPE 12L	42	12	3/8	9	12.15	22	22	LIGHT
14951100	ADAPTOR HP - 00 - 1/2" BSPOT - PIPE 12L	45	14	1/2	9	12.15	27	22	LIGHT
14951150	ADAPTOR HP - 00 - 1/2" BSPOT - PIPE 15L	48	14	1/2	11	15.15	27	27	LIGHT
14950742	ADAPTOR HP - 00 - 3/4" BSPOT - PIPE 20S	62	16	3/4	16	20.15	32	36	STRONG
14950752	ADAPTOR HP - 00 - 3/4" BSPOT - PIPE 22L	54	16	3/4	18	22.15	32	36	LIGHT
14950761	ADAPTOR HP - 00 - 1" BSPOT - PIPE 25S	69	18	1	20	25.15	41	46	STRONG



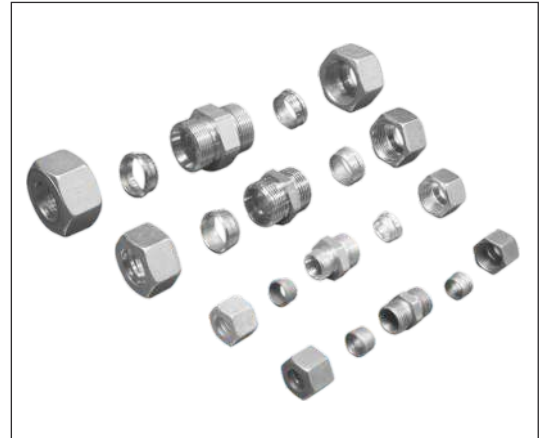
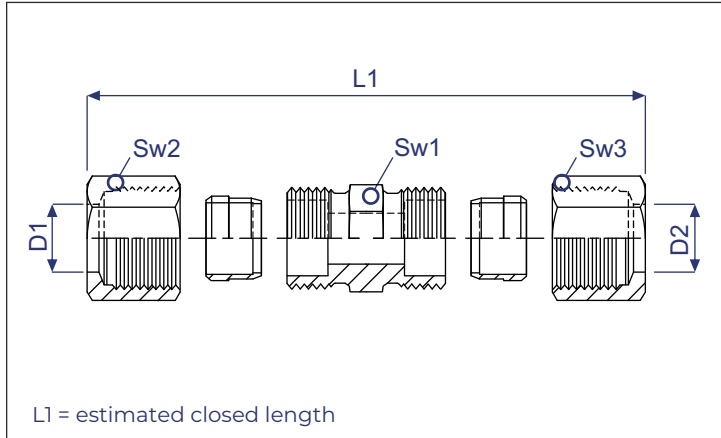
## PIPE COUPLINGS BSPOT

Part no.	Description	L1 (mm)	L2 (mm)	D1 (")	D2 (mm)	D3 (mm)	Sw1 (mm)	Sw2 (mm)	Type
14950530	ADAPTOR HP - 00 - 3/8" BSPOT - PIPE 12L	42	12	3/8	9	12.15	22	22	LIGHT
14950540	ADAPTOR HP - 00 - 1/2" BSPOT - PIPE 12L	45	14	1/2	9	12.15	27	22	LIGHT
14950610	ADAPTOR HP - 00 - 1/2" BSPOT - PIPE 15L	48	14	1/2	11	15.15	27	27	LIGHT
14950740	ADAPTOR HP - 00 - 3/4" BSPOT - PIPE 20S	62	16	3/4	16	20.15	32	36	STRONG
14950750	ADAPTOR HP - 00 - 3/4" BSPOT - PIPE 22L	54	16	3/4	18	22.15	32	36	LIGHT
14950756	ADAPTOR HP - 00 - 3/4" BSPOT - PIPE 25S	67	16	3/4	16	25.15	41	46	STRONG
14950760	ADAPTOR HP - 00 - 1" BSPOT - PIPE 25S	69	18	1	20	25.15	41	46	STRONG



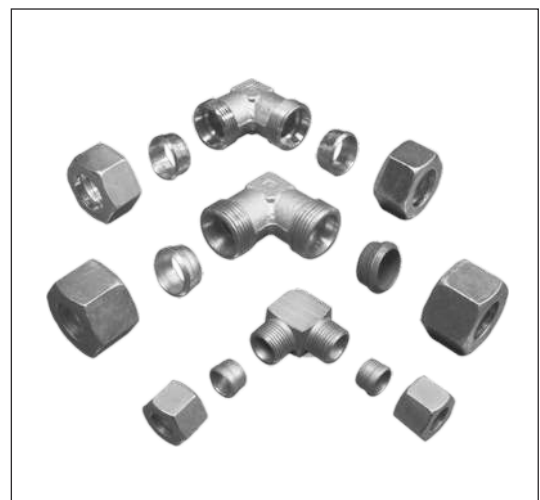
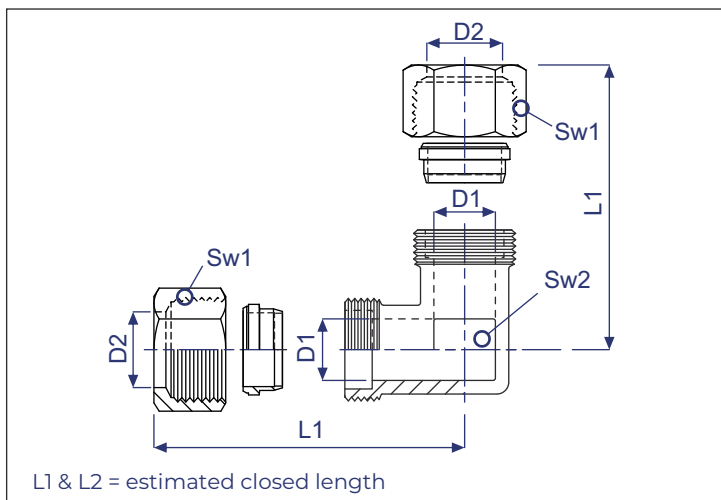
## PIPE COUPLINGS PIPE - PIPE

Part no.	Description	L1 (mm)	D1 (mm)	D2 (mm)	Sw1 (mm)	Sw2 (mm)	Sw3 (mm)	Type
14950050	ADAPTOR HP - 00 - PIPE 12L - PIPE 12L	48	12.15	12.15	19	22	22	LIGHT
14950300	ADAPTOR HP - 00 - PIPE 12L - PIPE 15L	48	12.15	15.15	24	22	27	LIGHT
14950060	ADAPTOR HP - 00 - PIPE 15L - PIPE 15L	48	15.15	15.15	24	27	27	LIGHT
14950075	ADAPTOR HP - 00 - PIPE 20S - PIPE 20S	66	20.15	20.15	32	36	36	STRONG
14950080	ADAPTOR HP - 00 - PIPE 22L - PIPE 22L	63	22.15	22.15	32	36	36	LIGHT
14950090	ADAPTOR HP - 00 - PIPE 25S - PIPE 25S	80	25.15	25.15	41	46	46	STRONG



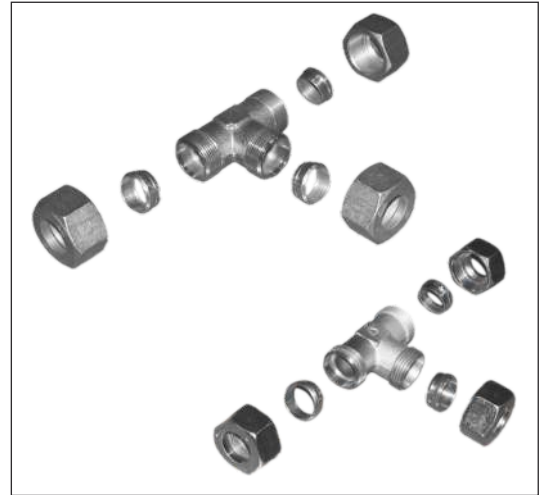
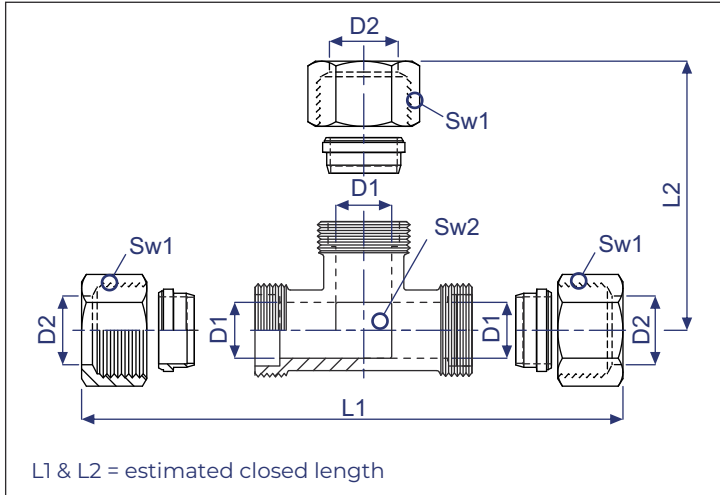
## ELBOW FOR PIPE

Part no.	Description	L1 (mm)	D1 (mm)	D2 (mm)	Sw1 (mm)	Sw2 (mm)	Type
14954220	ADAPTOR HP - 90 - PIPE 12L - PIPE 12L	35	10	12.15	22	19	LIGHT
14954240	ADAPTOR HP - 90 - PIPE 15L - PIPE 15L	3486	11	15.15	27	19	LIGHT
14954278	ADAPTOR HP - 90 - PIPE 20S - PIPE 20S	48	19	20.15	36	27	STRONG
14954280	ADAPTOR HP - 90 - PIPE 22L - PIPE 22L	48	19	22.15	36	27	LIGHT
14954285	ADAPTOR HP - 90 - PIPE 25S - PIPE 25S	54	20	25.15	36	46	STRONG



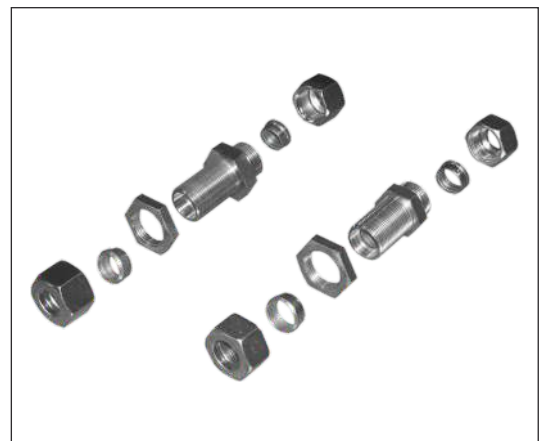
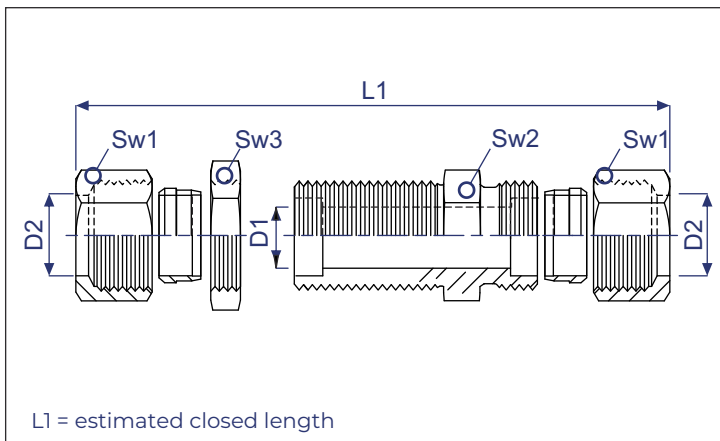
## T-PIECE FOR PIPE

Part no.	Description	L1 (mm)	L2 (mm)	D1 (mm)	D2 (mm)	Sw1 (mm)	Sw2 (mm)	Type
14957300	ADAPTOR HP - T - PIPE 12L (3X)	70	35	10	12.15	22	22	LIGHT
14957330	ADAPTOR HP - T - PIPE 15L (3X)	72	36	11	15.15	27	22	LIGHT
14957335	ADAPTOR HP - T - PIPE 20S (3X)	104	52	16	20.15	36	27	STRONG
14957340	ADAPTOR HP - T - PIPE 22L (3X)	96	48	19	22.15	36	36	LIGHT
14957344	ADAPTOR HP - T - PIPE 25S (3X)	117	60	20	25.15	46	36	STRONG



## STRAIGHT BULKHEAD ADAPTOR FOR PIPE

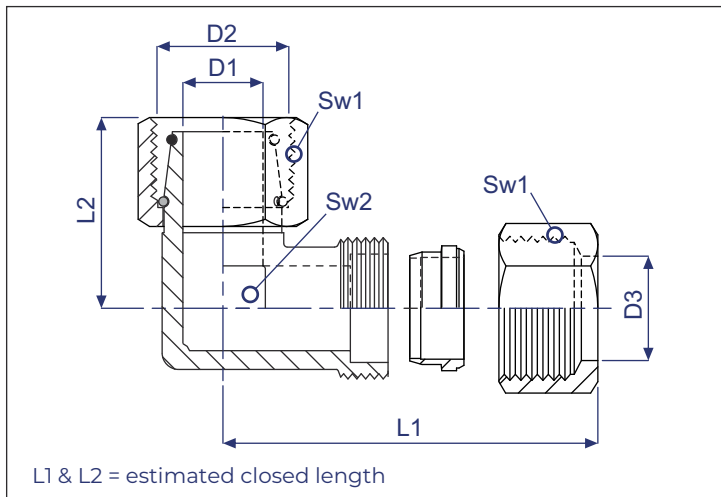
Part no.	Description	L1 (mm)	D1 (mm)	D2 (mm)	Sw1 (mm)	Sw2 (mm)	Sw3 (mm)	Type
14950190	ADAPTOR HP - 00 - PIPE 20S - PIPE 20S - BH	102	16	20.15	36	41	41	STRONG
14950200	ADAPTOR HP - 00 - PIPE 22L - PIPE 22L - BH	94	19	22.15	36	36	41	LIGHT





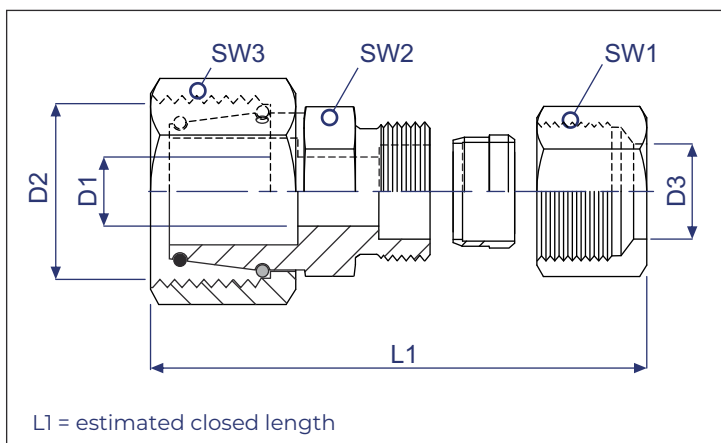
## PIPE COUPLINGS 90° SWIVEL PIPE - PIPE

Part no.	Description	L1 (mm)	L2 (mm)	D1 (mm)	D2 (M)	D3 (mm)	Sw1 (mm)	Sw2 (mm)	Type
14956500	ADAPTOR HP - SW - PIPE 12L - PIPE 12L	35	30	8	18 X 1.5	12.15	22	19	LIGHT
14956503	ADAPTOR HP - SW - PIPE 15L - PIPE 15L	36	32	10	22 X 1.5	15.15	27	19	LIGHT
14956510	ADAPTOR HP - SW - PIPE 20S - PIPE 20S	48	42	13	30 X 2	20.15	36	27	STRONG
14956520	ADAPTOR HP - SW - PIPE 22L - PIPE 22L	48	40	17	30 X 2	22.15	36	27	LIGHT



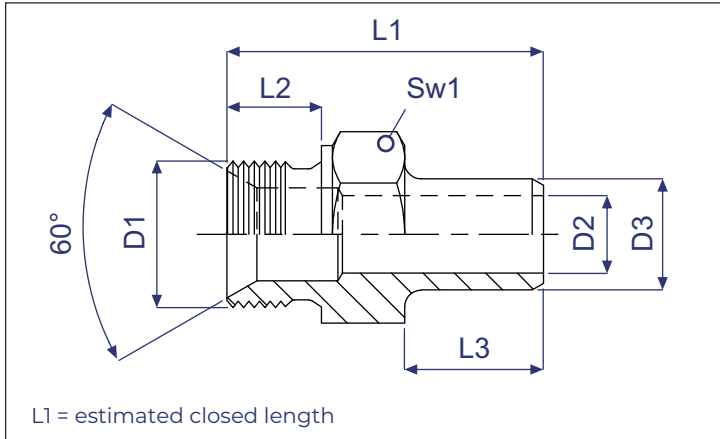
## PIPE COUPLING STRAIGHT SWIVEL PIPE - PIPE

Part no.	Description	L1 (mm)	D1 (mm)	D2 (mm)	D3 (mm)	Sw1 (mm)	Sw2 (mm)	Sw3 (mm)	Type
14942010	ADAPTOR HP - 00 - SW- PIPE 22L - PIPE 15L	52	16	30 x 2	15.15	27	27	36	LIGHT



## PIPE COUPLINGS BSPOTC - PIPE (FOR WELDING)

Part no.	Description	L1 (mm)	L2 (mm)	L3 (mm)	D1 (")	D2 (mm)	D3 (mm)	Sw1 (mm)	Type
14950640	ADAPTOR HP - 00 - 3/4" BSPOTC - PIPE 20S - OP	57	17	25	3/4	14	20	32	STRONG
14950635	ADAPTOR HP - 00 - 3/4" BSPOTC - PIPE 25S - OP	62	17	30	3/4	16.5	25	32	STRONG



## BONDED SEALS

Part no.	Description
01206801	BONDED SEAL 1/8"
01206813	BONDED SEAL 1/4"
01206825	BONDED SEAL 3/8"
01206837	BONDED SEAL 1/2"
01206849	BONDED SEAL 5/8"
01206850	BONDED SEAL 3/4"
01313848	BONDED SEAL 1"
01206874	BONDED SEAL 1 1/4"
01206898	BONDED SEAL 1 1/2"
01251685	BONDED SEAL 1 3/4"





110 countries  
+3,500 employees  
20,000 customers  
+30 subsidiaries  
14 production facilities



Hyva is a leading provider of innovative and highly efficient transport solutions for commercial vehicles used in transport, construction, mining, materials handling and environmental service industries.

Founded in 1979 in the Netherlands, the company has a global presence with more than 30 wholly owned subsidiaries, extraordinary service coverage and 14 manufacturing facilities in Brazil, China, Europe and India.

For more information on Hyva, please visit [www.hyva.com](http://www.hyva.com)

or follow us on:



**Hyva Holding B.V.**  
Antonie van Leeuwenhoekweg 37  
2408 AK Alphen aan den Rijn  
The Netherlands  
Telephone: +31 (0)172 - 42 35 55  
Telefax: +31 (0)172 - 42 08 80  
info@hyva.com  
www.hyva.com



Quality and  
environmental certified

DEALER STAMP