



COMPONENT CATALOG  
**HOSES & ADAPTORS**



INTRODUCTION .....	4
LOW PRESSURE HOSES & HOSE CLIPS .....	6
• LOW PRESSURE HOSES LP-20, LP-28 AND LP-32 .....	6
• HOSE CLIPS FOR LP HOSES .....	6
HIGH PRESSURE HOSES .....	7
• HIGH PRESSURE HOSES WITH STRAIGHT CONNECTION .....	7
• HIGH PRESSURE HOSES WITH 90° CONNECTIONS .....	8
HOSE FIXING PARTS .....	9
• HOSE FIXING P-CLIPS .....	9
• HOSE CLAMPS .....	9
• HOSE CLAMPS WITH RUBBER INLAY .....	9
SPIRAL HOSE PROTECTION .....	10
HOSE GUIDE ARM FLEX SAVER EASY .....	11
LOW PRESSURE ADAPTORS .....	12
• STRAIGHT HOSE PILLAR .....	12
• STRAIGHT ADAPTOR BSPOT-BSPOT .....	12
• O-RING FOR STRAIGHT ADAPTOR .....	12
• 90° HOSE PILLAR BSPOT .....	13
• 90° ADAPTOR BSPIT-BSPOT .....	14
• 45° HOSE PILLAR BSPOT .....	14
• O-RING FOR 45° & 90° ADAPTORS .....	14
• BALL VALVE BSPIT-BSPOT .....	15
• BALL VALVE BSPIT-BSPIT .....	15
HIGH PRESSURE ADAPTORS .....	16
• GENERAL INFORMATION ABOUT WORKING PRESSURE FOR HIGH PRESSURE ADAPTORS .....	16
• STRAIGHT ADAPTOR BSPOT .....	16
• STRAIGHT ADAPTOR BSPOT-BSPIT .....	17
• STRAIGHT SWIVEL ADAPTOR BSPIT-BSPOT .....	17
• STRAIGHT BULKHEAD ADAPTOR BSPOT-BSPOT .....	18
• STRAIGHT ADAPTOR LONG .....	18
• TREADED BUSH BSPIT .....	19
• BONDED SEAL .....	19
• 90° SWIVEL ADAPTOR BSPIT-BSPOTC .....	20
• ELBOW SWIVEL ADAPTOR BSPIT-BSPOTC .....	20
• 90° SWIVEL ADAPTOR BSPOTC-BSPOTF .....	20
• 45° SWIVEL ADAPTOR BSPIT-BSPOT .....	21
• T-PIECE BSPOT .....	21
• T-PIECE BSPIT .....	21
• T-PIECE SWIVEL BSPIT-BSPOT .....	22
• PLUG BSPOT .....	22
• NON-RETURN VALVE BSPOT .....	23
• HIGH PRESSURE BALL VALVE BSPIT-BSPIT .....	23
QUICK RELEASE COUPLINGS & ACCESSORIES .....	24
• QUICK RELEASE COUPLINGS WITH SWIVEL CONNECTION .....	24
• QUICK RELEASE COUPLINGS WITH PUSH-PULL CONNECTION .....	25
• DUST COVERS FOR SWIVEL QR COUPLINGS .....	26
• MOUNTING PLATE AND WELDING SOCKET FOR SWIVEL QR COUPLINGS .....	26
• RETAINER FOR SWIVEL QR COUPLING .....	26
• DUST COVERS FOR PUSH-PULL QR COUPLINGS .....	26

## Hyva hoses

Hoses offered by Hyva comply with the highest safety standards for truck hydraulics. Working pressures range from 225 to 350 bar.

## Code system for hoses

Hose	1"	HP	16	2000	00	90		
	1"						Inner diameter	HP = High pressure
		HP					Pressure range	LP = Low pressure
				2000			Length in mm	
					00		First hose end	00 = Straight connection B.S.P.
						90	Second hose end	01 = Straight connection metric 90 = 90° connection B.S.P. 91 = 90° connection metric BANJO = Banjo connection

The best sealing is created if the HP-hose is connected to an Adaptor with a 60 degree cone. This cone equals the shape of the standard fitted hose adaptors and increases the sealing surface.

## Hyva Adaptors

No hydraulic kit can be installed without the use of adaptors to match hydraulic components to each other. Listed is the main stream of Adaptors in our range.

## Code system for Adaptors

Adaptor	HP	00	SW	1¼"BSPOT	1¼"BSPIT		
	HP					Pressure range	HP = High pressure LP = Low pressure PN = Pneumatic
		00				Orientation	00 = Straight      45 = 45° 90 = 90°            T = T-piece
			SW			In case of one of the connections is swivel	
				1¼"BSPOT		First connection	BSPIT = B.S.P. inner thread BSPOT = B.S.P. outer thread BSPOTC = B.S.P. outer thread with cone 60° BSPOTF = B.S.P. outer thread flat faced BSPP = B.S.P. parallel thread BSPT = B.S.P. tapered thread PIPE = connection for pipe
					1¼"BSPIT	Second connection	

## Hyva Q.R. couplings

Quick release couplings are available with a swivel connection, with a flow of 160 litres up to 190 litres. The available kits enclose the adaptors, couplings and dust caps for the female or male side. Optional we offer bolt-on and welding sockets and mounting plates.

The second range we offer is of the push-pull type. As these are less common for truck application we do not offer these as a kit. Ask for a specification sheet for details on standard.

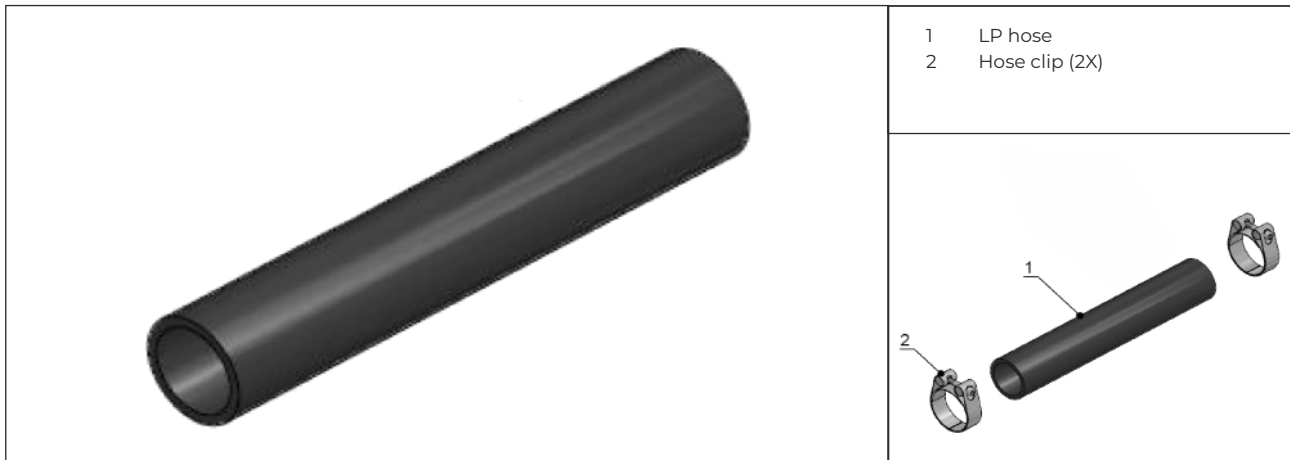
## Code system for hoses

QR coupling	¾" BSPIT	female	SW	280B	160L	
					160L	Working volume in L/min.
				280B		Working pressure in Bar
			SW			Coupling connection
		female				male or female
	¾" BSPIT					Hose connection
						SW = Swivel
						PP = Push-Pull
						BSPIT = B.S.P. inner thread
						BSPOT = B.S.P. outer thread
						BSPOTC = B.S.P. outer thread with cone 60°

## LOW PRESSURE HOSES LP-20, LP-28 AND LP-32

Part no.	Description	Type	Inner Ø (")	Max. pressure (bar)	Min. bending radius (mm)	Weight (kg)	Hose clip* (2)	Hose fixing P-clip* (3)
14795034	HOSE 1¼"-LP-20-01500	LP-20	1¼	14	210	2.0	14796594	09223006
14795036	HOSE 1¼"-LP-20-02000	LP-20	1¼	14	210	2.7	14796594	09223006
14795038	HOSE 1¼"-LP-20-02250	LP-20	1¼	14	210	3.0	14796594	09223006
14795040	HOSE 1¼"-LP-20-02500	LP-20	1¼	14	210	3.33	14796594	09223006
14795116	HOSE 1¾"-LP-28-01000	LP-28	1¾	7	280	1.45	14796600	09223001
14795137	HOSE 1¾"-LP-28-01380	LP-28	1¾	7	280	2.0	14796600	09223001
14795118	HOSE 1¾"-LP-28-01500	LP-28	1¾	7	280	2.17	14796600	09223001
14795120	HOSE 1¾"-LP-28-02000	LP-28	1¾	7	280	2.42	14796600	09223001
14795130	HOSE 1¾"-LP-28-02250	LP-28	1¾	7	280	3.15	14796600	09223001
14795131	HOSE 1¾"-LP-28-02500	LP-28	1¾	7	280	3.75	14796600	09223001
14795132	HOSE 1¾"-LP-28-03000	LP-28	1¾	7	280	4.6	14796600	09223001
14795852	HOSE 2"-LP-32-01500	LP-32	2	7	300	2.75	14796612	09223001
14795853	HOSE 2"-LP-32-02000	LP-32	2	7	300	3.67	14796612	09223001
14795860	HOSE 2"-LP-32-02225	LP-32	2	7	300	4.1	14796612	09223001
14795854	HOSE 2"-LP-32-02500	LP-32	2	7	300	4.6	14796612	09223001
14795855	HOSE 2"-LP-32-03000	LP-32	2	7	300	5.5	14796612	09223001
14795856	HOSE 2"-LP-32-03500	LP-32	2	7	300	6.42	14796612	09223001

\* Hose clips and hose fixing P-clips have to be ordered separately or together with the hose as a complete kit.  
Ask your local Hyva dealer for these possibilities.



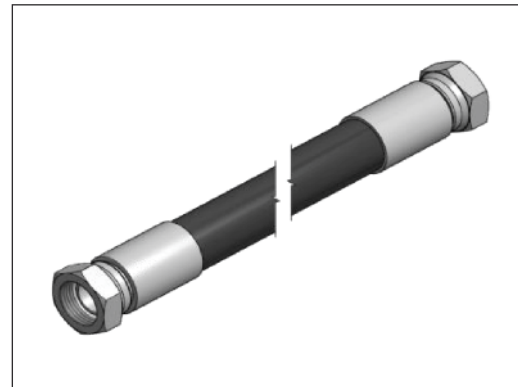
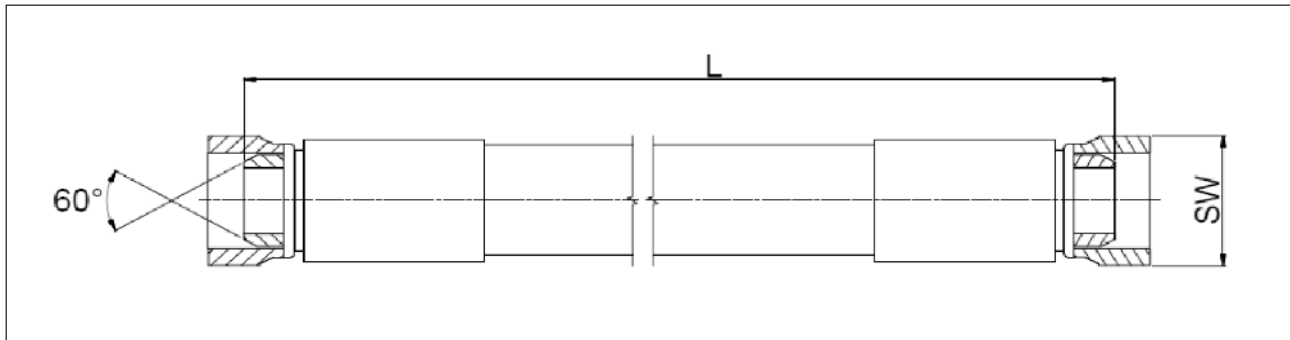
## HOSE CLIPS FOR LP HOSES

Part no.	Description
14796594	HOSE CLIP FOR 1¼" L.P. 20 HOSE
14796600	HOSE CLIP FOR 1¾" L.P. 28 HOSE
14796612	HOSE CLIP FOR 2" L.P. 32 HOSE



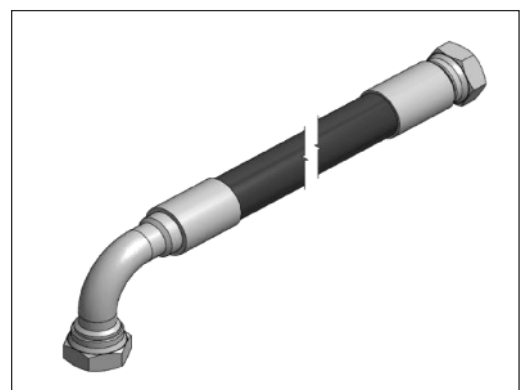
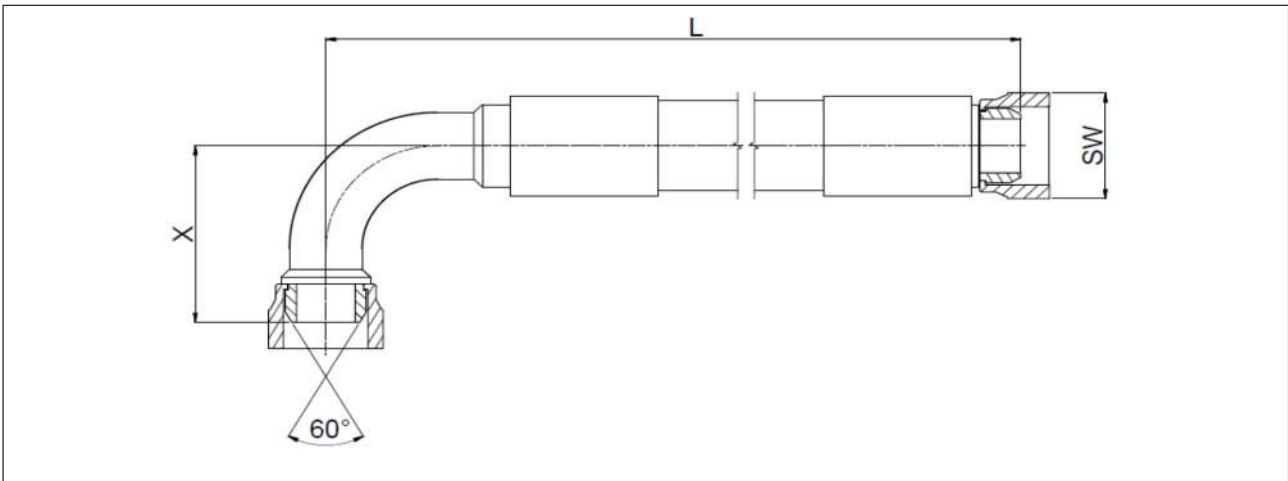
## HIGH PRESSURE HOSES WITH STRAIGHT CONNECTIONS

Part no.	Description	Type	Thread ("BSP)	Max. pressure (bar)	Min. bending radius (mm)	SW (mm)	L (mm)	Weight (kg)
14789 483	HOSE ½"-HP-08-00700-00-00	HP-08	½	310	90	27	700	0.58
14789 486	HOSE ½"-HP-08-01000-00-00	HP-08	½	310	90	27	1000	0.9
14789504	HOSE ½"-HP-08-01500-00-00	HP-08	½	310	90	27	1500	0.97
14789510	HOSE ½"-HP-08-02000-00-00	HP-08	½	310	90	27	2000	1.22
14789530	HOSE ½"-HP-08-02500-00-00	HP-08	½	310	90	27	2500	1.6
14789549	HOSE ½"-HP-08-03000-00-00	HP-08	½	310	90	27	3000	1.7
14789553	HOSE ½"-HP-08-03500-00-00	HP-08	½	310	90	27	3500	2.2
14790 014	HOSE ¾"-HP-12-00700-00-00	HP-12	¾	280	150	32	700	0,88
14790 026	HOSE ¾"-HP-12-01000-00-00	HP-12	¾	280	150	32	1000	1.12
14790 002	HOSE ¾"-HP-12-01200-00-00	HP-12	¾	280	150	32	1200	1.37
14790 038	HOSE ¾"-HP-12-01500-00-00	HP-12	¾	280	150	32	1500	1.5
14790 040	HOSE ¾"-HP-12-02000-00-00	HP-12	¾	280	150	32	2000	1.9
14790 051	HOSE ¾"-HP-12-02500-00-00	HP-12	¾	280	150	32	2500	2.31
14790 063	HOSE ¾"-HP-12-03000-00-00	HP-12	¾	280	150	32	3000	2,71
14790 087	HOSE ¾"-HP-12-03500-00-00	HP-12	¾	280	150	32	3500	3.2
14790 075	HOSE ¾"-HP-12-04000-00-00	HP-12	¾	280	150	32	4000	3.6
14790 710	HOSE 1"-HP-16-01000-00-00	HP-16	1	250	160	41	1000	1.9
14790 712	HOSE 1"-HP-16-01200-00-00	HP-16	1	250	160	41	1200	2.16
14790 715	HOSE 1"-HP-16-01500-00-00	HP-16	1	250	160	41	1500	2.52
14790 720	HOSE 1"-HP-16-02000-00-00	HP-16	1	250	160	41	2000	3.14
14790 725	HOSE 1"-HP-16-02500-00-00	HP-16	1	250	160	41	2500	3.75
14790 730	HOSE 1"-HP-16-03000-00-00	HP-16	1	250	160	41	3000	4.37
14790 735	HOSE 1"-HP-16-03500-00-00	HP-16	1	250	160	41	3500	4.99
14790 740	HOSE 1"-HP-16-04000-00-00	HP-16	1	250	160	41	4000	5.6
14790 745	HOSE 1"-HP-16-04500-00-00	HP-16	1	250	160	41	4500	6.22
14790 750	HOSE 1"-HP-16-05000-00-00	HP-16	1	250	160	41	5000	6.84



## HIGH PRESSURE HOSES WITH 90° CONNECTIONS

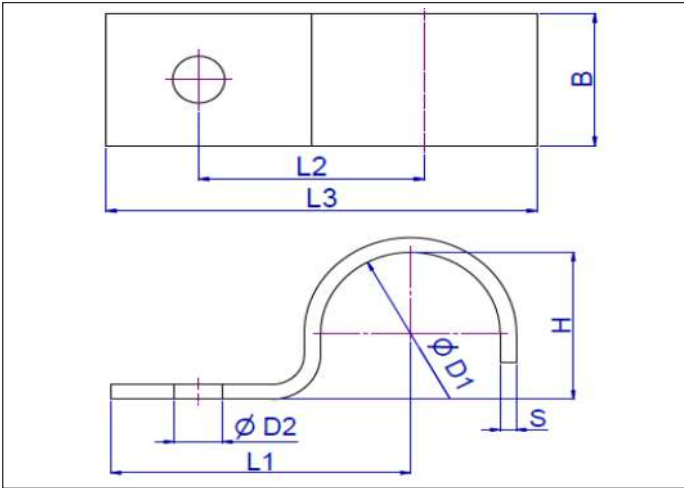
Part no.	Description	Type	Thread ("BSP)	Max. pressure (bar)	Min. bending radius (mm)	SW (mm)	X (mm)	L (mm)	Weight (kg)
14789589	HOSE ½"-HP-08-00700-00-90	HP-08	½	310	90	27	42	700	0.61
14789570	HOSE ½"-HP-08-01000-00-90	HP-08	½	310	90	27	42	1000	0.76
14789582	HOSE ½"-HP-08-01500-00-90	HP-08	½	310	90	27	42	1500	1.01
14789583	HOSE ½"-HP-08-02000-00-90	HP-08	½	310	90	27	42	2000	1.23
14789535	HOSE ½"-HP-08-02500-00-90	HP-08	½	310	90	27	42	2500	1.6
14789550	HOSE ½"-HP-08-03000-00-90	HP-08	½	310	90	27	42	3000	1.77
14789591	HOSE ½"-HP-08-03500-00-90	HP-08	½	310	90	27	42	3500	2.01
14790117	HOSE ¾"-HP-12-00700-00-90	HP-12	¾	280	150	32	55	700	1.0
14790129	HOSE ¾"-HP-12-01000-00-90	HP-12	¾	280	150	32	55	1000	1.2
14790132	HOSE ¾"-HP-12-01200-00-90	HP-12	¾	280	150	32	55	1200	1.4
14790130	HOSE ¾"-HP-12-01500-00-90	HP-12	¾	280	150	32	55	1500	1.59
14790142	HOSE ¾"-HP-12-02000-00-90	HP-12	¾	280	150	32	55	2000	1.99
14790154	HOSE ¾"-HP-12-02500-00-90	HP-12	¾	280	150	32	55	2500	2.35
14790166	HOSE ¾"-HP-12-03000-00-90	HP-12	¾	280	150	32	55	3000	2.9
14790170	HOSE ¾"-HP-12-03500-00-90	HP-12	¾	280	150	32	55	3500	3.4
14790178	HOSE ¾"-HP-12-04000-00-90	HP-12	¾	280	150	32	55	4000	3.8
14794607	HOSE 1"-HP-16-00700-00-90	HP-16	1	250	160	41	70	700	1.63
14794610	HOSE 1"-HP-16-01000-00-90	HP-16	1	250	160	41	70	1000	2.0
14794612	HOSE 1"-HP-16-01200-00-90	HP-16	1	250	160	41	70	1200	2.38
14794615	HOSE 1"-HP-16-01500-00-90	HP-16	1	250	160	41	70	1500	2.75
14794620	HOSE 1"-HP-16-02000-00-90	HP-16	1	250	160	41	70	2000	3.36
14794625	HOSE 1"-HP-16-02500-00-90	HP-16	1	250	160	41	70	2500	3.98
14794630	HOSE 1"-HP-16-03000-00-90	HP-16	1	250	160	41	70	3000	4.60
14794635	HOSE 1"-HP-16-03500-00-90	HP-16	1	250	160	41	70	3500	5.21
14794640	HOSE 1"-HP-16-04000-00-90	HP-16	1	250	160	41	70	4000	5.83
14794645	HOSE 1"-HP-16-04500-00-90	HP-16	1	250	160	41	70	4500	6.45
14794650	HOSE 1"-HP-16-05000-00-90	HP-16	1	250	160	41	70	5000	7.06





## HOSE FIXING P-CLIPS

Part no.	Description	D1 (mm)	L1 (mm)	L2 (mm)	L3 (mm)	H (mm)	D2 (mm)	B (mm)	S (mm)	Weight (kg)	Material (galvanized)
09223004	HOSE FIXING P-CLIP D=31 MM (HD12)	33	55	39	75.5	30	9	25.5	3	0.15	Carbon steel
09223005	HOSE FIXING P-CLIP D=36MM (HD16)	40	59	43	83.5	37	9	30	5	0.17	Carbon steel
09223006	HOSE FIXING P-CLIP D=46MM (LP20)	47	70	50	98	44	12	30	5	0.18	Carbon steel
09223001	HOSE FIXING P-CLIP D=61MM (LP28)	63	80	60	118.5	60	12	40	5	0.20	Carbon steel
09223034	HOSE FIXING P-CLIP D=71MM (LP32)	71	110	75	153.5	66	14	40	8	0.56	Carbon steel



## HOSE CLAMPS

Part no.	Description	Hose diameter
14959030	CLAMP HOSE 28MM	3/4"
14959041	CLAMP HOSE 36MM (PPH)	1"



## HOSE CLAMP WITH RUBBER INLAY

Part no.	Description	Hose diameter
09223017	CLAMP 20-24 MM RUBBER INLAY (HP 1/2")	1/2"
09223015	CLAMP 25-30 MM RUBBER INLAY (HP 3/4")	3/4"
09223013	CLAMP 32-37 MM RUBBER INLAY (HP 1")	1"
09223011	CLAMP 44-49 MM RUBBER INLAY (LP 1 1/4")	1 1/4"
09223016	CLAMP 54-58 MM RUBBER INLAY (LP 1 3/4")	1 3/4"
09223012	CLAMP 59-64 MM RUBBER INLAY (LP 2")	2"



## SPIRAL PROTECTION FOR HOSES

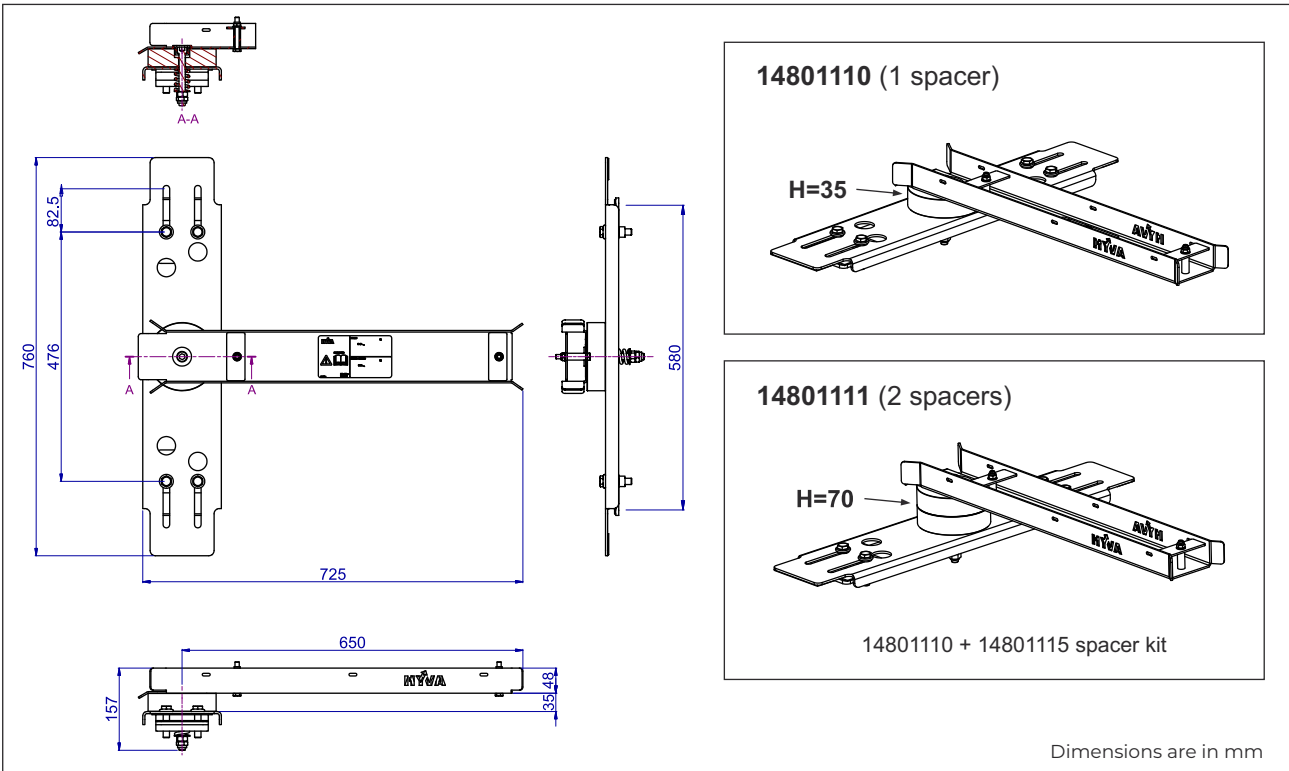
Part no.	Description	Inner Dimension (mm)	Outer Dimension (mm)	Colour	Thickness (mm)	Pitch (mm)	Recommended hose OD range (mm)	Weight (kg)	Length (m)
14799503	SPIRAL PROTECTION FOR 3/4" HOSES - L500	27	32	BLACK	2.5	22	25- 34	0.20	1.0
14799500	SPIRAL PROTECTION FOR 1" HOSES - L500	43	50	BLACK	3.4	30	41 - 54	0.20	0.5
14799501	SPIRAL PROTECTION FOR 1" HOSES - L1000	43	50	BLACK	3.4	30	41 - 54	0.40	1.0
14799502	SPIRAL PROTECTION FOR 1" HOSES - L1500	43	50	BLACK	3.4	30	41 - 54	0.60	1.5



## HOSE GUIDE ARM FLEX SAVER EASY

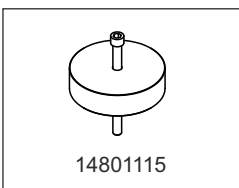
Part no.	Description	Chassis widths (mm)	Weight (kg)
14801110	HOSE GUIDE ARM FLEX SAVER EASY H=35mm	495 to 710	11
14801111*	HOSE GUIDE ARM FLEX SAVER EASY H=70mm	495 to 710	11

\* Flex saver (14801111) is the same as flex saver (14801110) only it will be delivered with an extra spacer kit (14801115) to create more height.



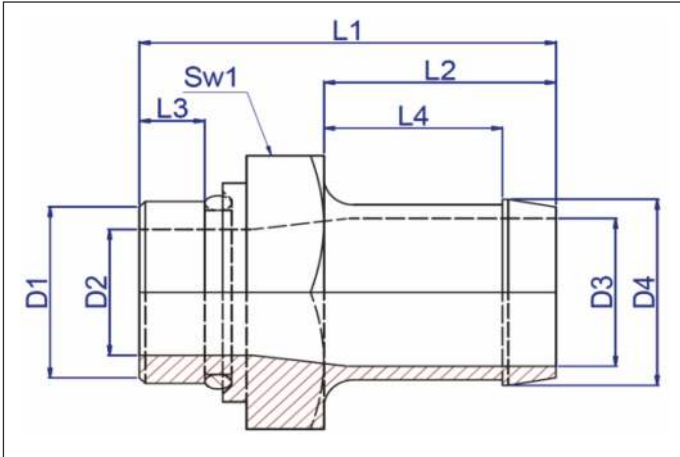
## SPARE PART

Part no.	Description	Qty.
14801115	SPACER KIT	1



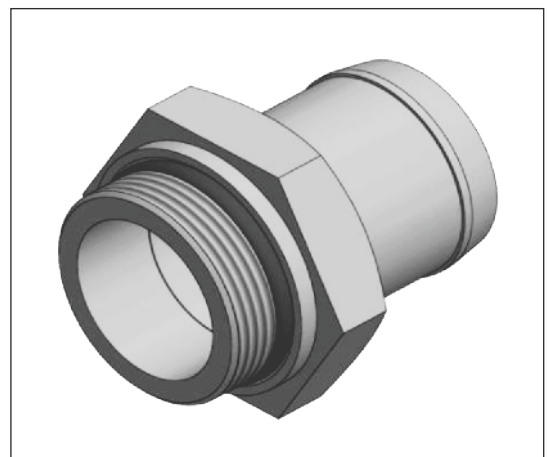
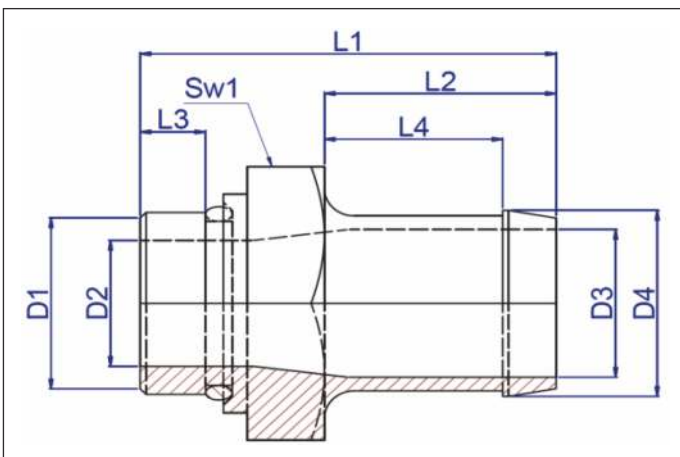
### STRAIGHT HOSE PILLAR BSPOT (STEEL & BRASS)

Part no.	Description	Material	L1 (mm)	L2 (mm)	L3 (mm)	L4 (mm)	D1 (")	D2 (mm)	D3 (mm)	D4 (mm)	Sw1 (mm)	Weight (kg)
14500589	HOSE PILLAR LP20-00-1"	STEEL	82	50	17	37	1	22	26	32	41	0.27
14799000	HOSE PILLAR LP28-00-1"	BRASS	72	40	11	30	1	23	38	45.5	50	0.40
14799005	HOSE PILLAR LP28-00-1¼"	BRASS	72	40	11	30	1¼	32	38	45.5	55	0.44
14799015	HOSE PILLAR LP28-00-1½"	BRASS	72	40	11	30	1½	36	38	45.5	60	0.52
14535328	HOSE PILLAR LP32-00-1¼"	BRASS	84	52	11	35	1¼	32	43	51.8	55	0.49
14500492	HOSE PILLAR LP32-00-1½"	BRASS	84	52	11	35	1½	38	43	51.8	60	0.59



### STRAIGHT HOSE PILLAR BSPOT (ALUMINIUM)

Part no.	Description	L1 (mm)	L2 (mm)	L3 (mm)	L4 (mm)	D1 (")	D2 (mm)	D3 (mm)	D4 (mm)	Sw1 (mm)	Weight (kg)
14500587A	HOSE PILLAR LP20-00-1" ALU	70	39	11	30	1	23	27	34	50	0.13
14500585A	HOSE PILLAR LP20-00-1¼" ALU	70	39	11	30	1¼	27	27	34	55	0.15
14799000A	HOSE PILLAR LP28-00-1" ALU	72	40	11	30	1	23	38	45.5	50	0.13
14799005A	HOSE PILLAR LP28-00-1¼" ALU	72	40	11	30	1¼	32	38	45.5	55	0.14
14799015A	HOSE PILLAR LP28-00-1½" ALU	72	40	11	30	1½	36	38	45.5	60	0.17
14535328A	HOSE PILLAR LP32-00-1¼" ALU	77	45	11	35	1¼	32	43	52	55	0.16

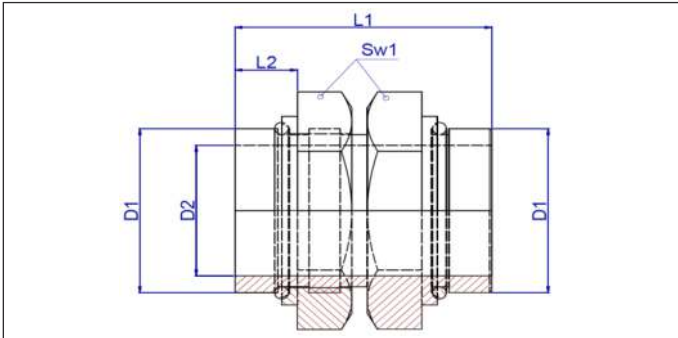


### O-RING FOR STRAIGHT ADAPTORS

Part no.	Description
01226165	O-RING 1"-3.53MM 50 SHORE
01226185	O-RING 1¼"-3.53MM 50 SHORE
01225650	O-RING 1½"-3.53MM 70 SHORE

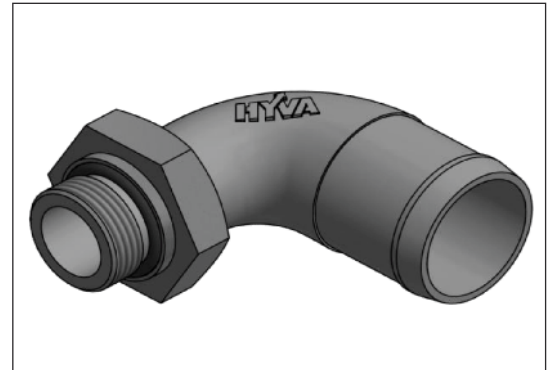
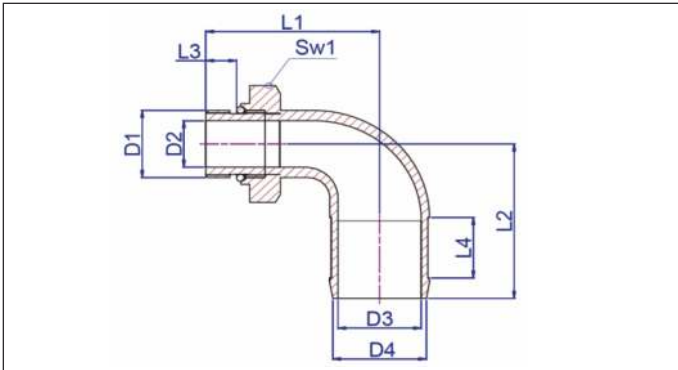
## STRAIGHT ADAPTOR BSPOT-BSPOT

Part no.	Description	L1 (mm)	L2 (mm)	D1 (")	D2 (mm)	Sw1 (mm)	Weight (kg)
14799038	HOSE PILLAR LP-00-1½"-1½"	66	16	1½	38	60	0.72



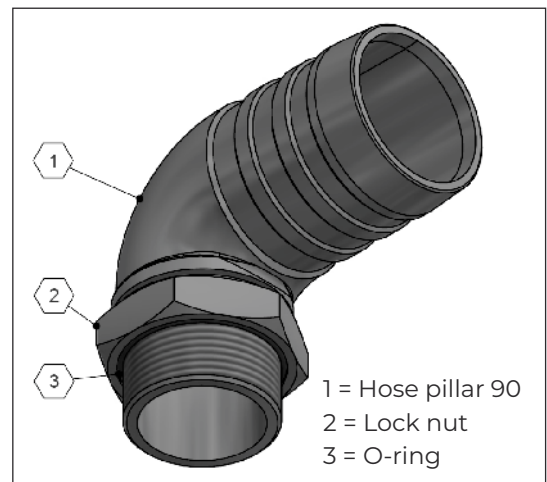
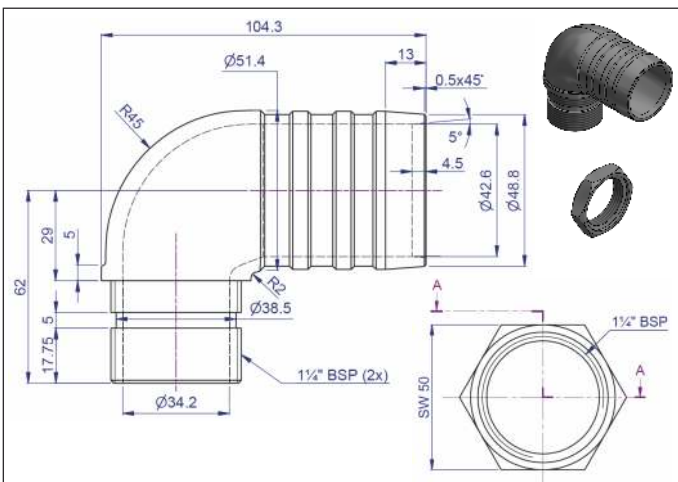
## 90° HOSE PILLAR BSPOT (BRASS & ALUMINIUM)

Part no.	Description	Material	L1 (mm)	L2 (mm)	L3 (mm)	L4 (mm)	D1 (")	D2 (mm)	D3 (mm)	D4 (mm)	Sw1 (mm)	Weight (kg)
14799284	HOSE PILLAR LP20-90-1½"	BRASS	65	65	11	30	½	13	27	30	40	0.35
14799028	HOSE PILLAR LP20-90-1¼"	BRASS	70	71	11	25	1¼	32	27	32	55	0.61
14799020	HOSE PILLAR LP 28-90-1"	BRASS	80	77	11	30	1	23	38	44	50	0.70
14799025	HOSE PILLAR LP28-90-1¼"	BRASS	79	72	11	30	1¼	32	38	44	55	0.75
14799050	HOSE PILLAR LP28-90-1½"	BRASS	69	70	11	30	1½	38	38	44	60	0.75
14799020A	HOSE PILLAR LP29-90-1" ALU	ALU	80	77	11	30	1	23	38	44	50	0.24
14799025A	HOSE PILLAR LP28-90-1¼" ALU	ALU	79	72	11	30	1¼	32	38	44	55	0.24
14799050A	HOSE PILLAR LP28-90-1½" ALU	ALU	69	70	11	30	1½	38	38	44	60	0.24



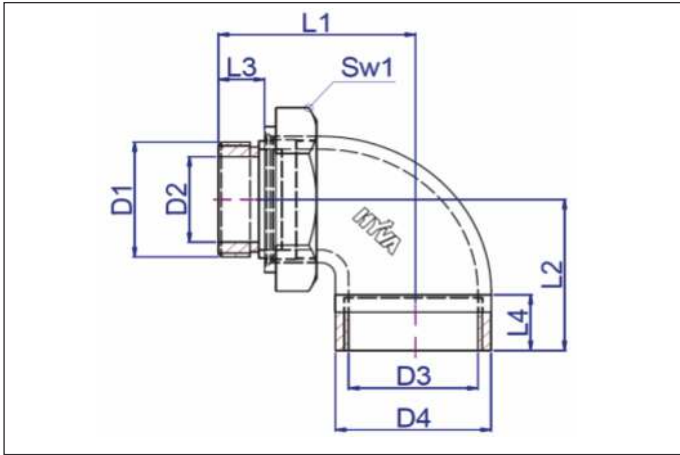
## 90° HOSE PILLAR BSPOT + PARTS (BRASS)

Part no.	Description	Weight (kg)
14535327	HOSE PILLAR LP32-90-1¼"BSPOT	0.62



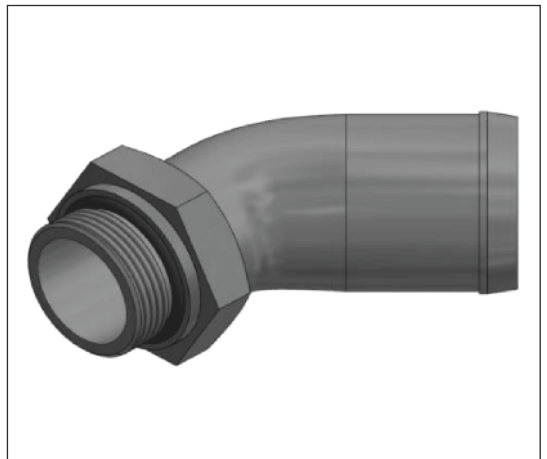
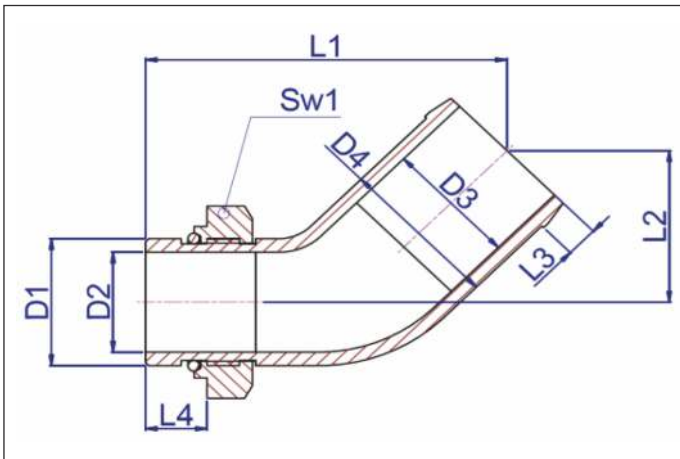
### 90° ADAPTOR BSPIT-BSPOT (BRASS & ALUMINIUM)

Part no.	Description	Material	L1 (mm)	L2 (mm)	L3 (mm)	L4 (mm)	D1 (")	D2 (mm)	D3 (")BSP)	D4 (mm)	Sw1 (mm)	Weight (kg)
14799035	ADAPTOR LP-90-1½" BSPOT-1½" BSPIT	BRASS	67	57	11	21	1½	38	1½	54	60	0.73
14799035A	ADAPTOR LP-90-1½" BSPOT-1½" BSPIT	ALU	67	57	11	21	1½	38	1½	54	60	0.38



### 45° HOSE PILLAR BSPOT (BRASS)

Part no.	Description	L1 (mm)	L2 (mm)	L3 (mm)	L4 (mm)	D1 (")BSP)	D2 (mm)	D3 (mm)	D4 (mm)	Sw1 (mm)	Weight (kg)
14799043	HOSE PILLAR LP32-45 - 1" BSPOT+NUT+O-RING	112	50	10	18	1	23	41	50	50	0.78
14799044	HOSE PILLAR LP32-45-1½" BSPOT+NUT+O-RING	112	50	10	18	1½	33	41	50	55	0.81

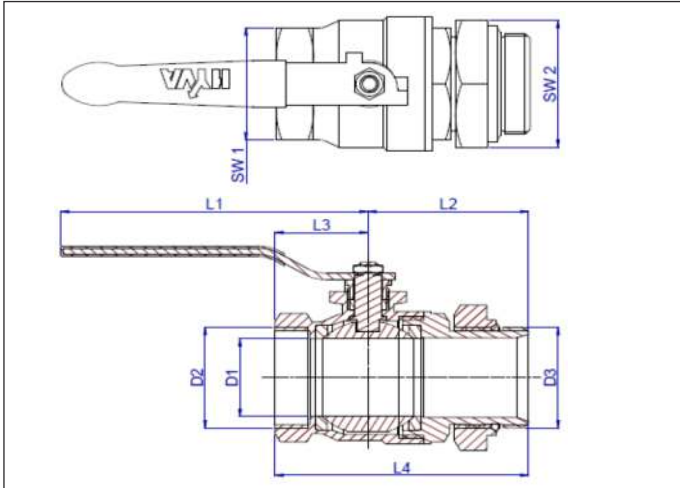


### O-RING FOR 45° & 90° ADAPTORS

Part no.	Description
01226165	O-RING 1"-3.53MM 50 SHORE
01226185	O-RING 1½"-3.53MM 50 SHORE
01225650	O-RING 1½"-3.53MM 70 SHORE

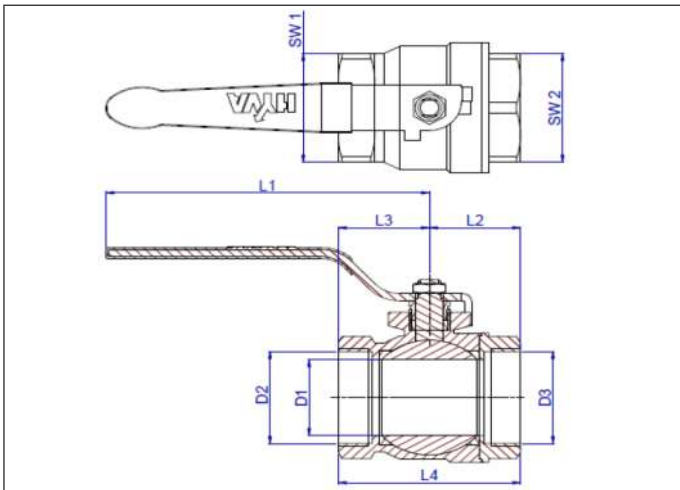
## BALL VALVE BSPIT-BSPOT

Part no.	Description	L1 (mm)	L2 (mm)	L3 (mm)	L4 (mm)	D1 (mm)	D2 ("BSP)	D3 ("BSP)	Sw1 (mm)	Sw2 (mm)	Weight (kg)
14780981	BALL VALVE 1½"BSPOT - 1½"BSPIT + NUT	132	69	40	109	37	1½	1½	53	60	1.2



## BALL VALVE BSPIT-BSPIT

Part no.	Description	L1 (mm)	L2 (mm)	L3 (mm)	L4 (mm)	D1 (mm)	D2 ("BSP)	D3 ("BSP)	Sw1 (mm)	Sw2 (mm)	Weight (kg)
14780980	BALL VALVE 1½"BSPIT - 1½"BSPIT + NUT	142	40	40	80	37	1½	1½	53	53	1.0



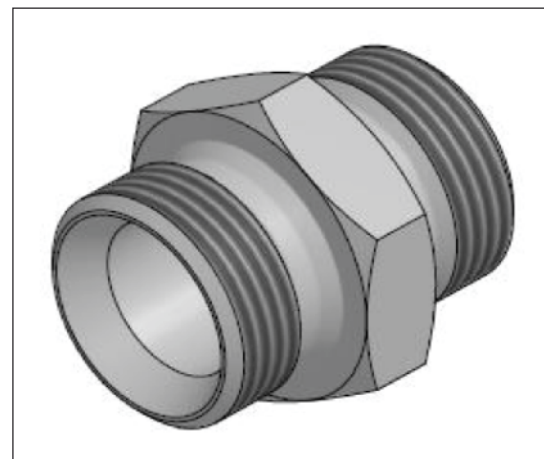
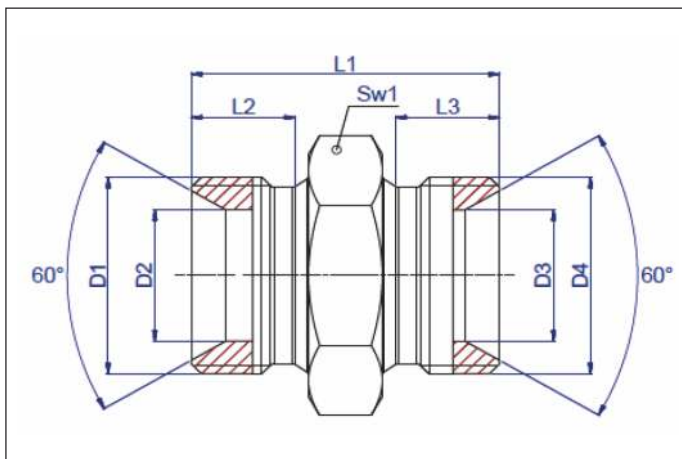
## GENERAL INFORMATION ABOUT WORKING PRESSURE FOR HIGH PRESSURE ADAPTORS

Thread Type	Size/Dimension	Max. Working Pressure (bar)
BSPOT and BSPIT	1", 1¼", 1½"	250
BSPOT and BSPIT	½", ⅝", ¾"	315
BSPOT and BSPIT	⅙", ¼", ⅜"	350
JIC 37° Flare	1½"	250
JIC 37° Flare	1½"	300

Note: Burst pressure = 4x maximum working pressure

## STRAIGHT ADAPTOR BSPOTC

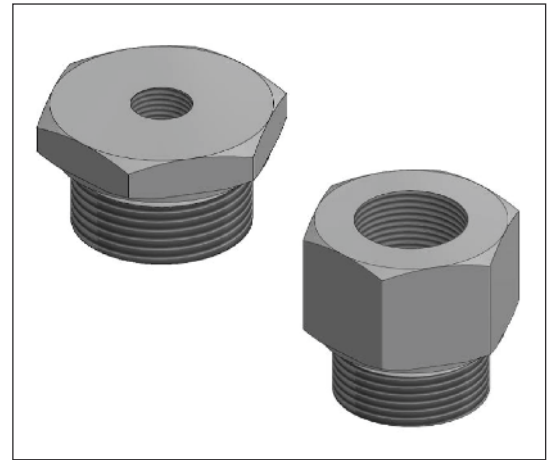
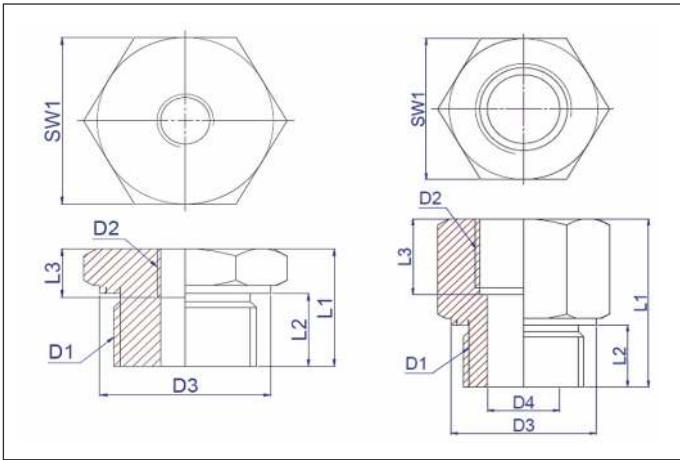
Part no.	Description	L1 (mm)	L2 (mm)	L3 (mm)	D1 (")	D2 (mm)	D3 (mm)	D4 (")	Sw1 (mm)	Weight (kg)
01317704	ADAPTOR HP-00-¼"BSPOTC x ½"BSPOTC	35	13	14	¼	7	11	½	27	0.06
01317690	ADAPTOR HP-00-⅜"BSPOTC x ¾"BSPOTC	34	11	11	⅜	7.9	7.9	¾	22	0.04
01317805	ADAPTOR HP-00-⅜"BSPOTC x ½"BSPOTC	38	12	14	⅜	7.9	11	½	27	0.07
01317700	ADAPTOR HP-00-⅜"BSPOTC x ¾"BSPOTC	40	12	16	⅜	7.9	16.5	¾	32	0.06
01221838	ADAPTOR HP-00-½"BSPOTC x ½"BSPOTC	40	14	14	½	11	11	½	27	0.07
01222105	ADAPTOR HP-00-¾"BSPOTC x ¼"BSPOTC	41	13	16	¾	7	16.5	¼	32	0.09
01317714	ADAPTOR HP-00-¾"BSPOTC x ½"BSPOTC	42	14	16	¾	11	16.5	½	32	0.10
01222661	ADAPTOR HP-00-¾"BSPOTC x ¾"BSPOTC	44	16	16	¾	16.5	16.5	¾	32	0.12
14799080	ADAPTOR HP-00-1"BSPOTC x ¾"BSPOTC	47	16	19	1	16.5	22	1	41	0.17
01317933	ADAPTOR HP-00-1"BSPOTC x 1"BSPOTC	50	19	19	1	22	22	1	41	0.18
01222107	ADAPTOR HP-00-1"BSPOTC x 1¼"BSPOTC	51	19	20	1	22	28.5	1¼	50	0.28
01317959	ADAPTOR HP-00-1¼"BSPOTC x ¾"BSPOTC	48	16	20	1¼	16.5	28.5	¾	50	0.28
14799093	ADAPTOR HP-00-1¼"BSPOTC x 1¼"BSPOTC	52	20	20	1¼	28.5	28.5	1¼	50	0.28
14500577	ADAPTOR HP-00-1½"BSPOTC x 1"BSPOTC	59	22	19	1½	33.3	22.2	1	55	0.31





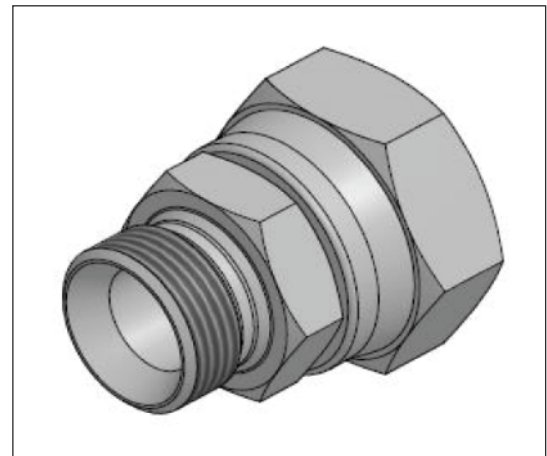
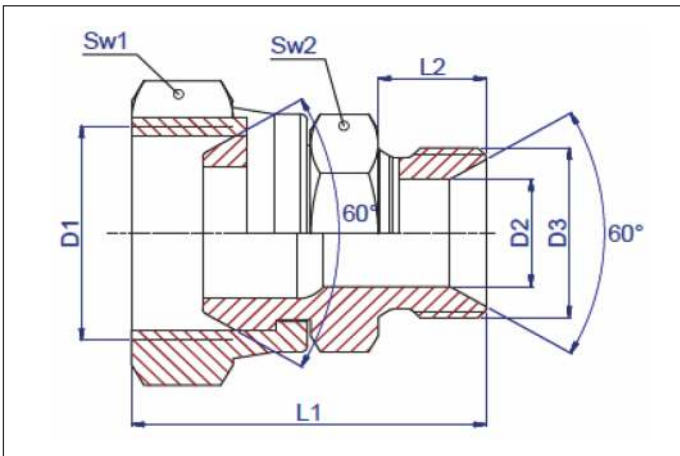
## STRAIGHT ADAPTOR BSPOT-BSPIT

Part no.	Description	L1 (mm)	L2 (mm)	L3 (mm)	D1 (")	D2 (")	D3 (mm)	D4 (mm)	Sw1 (mm)	Weight (kg)
14958010	ADAPTOR HP-00-½"BSPOT-¼"BSPIT	24	14	12	½	¼	26.9	-	27	0.06
14958000	ADAPTOR HP-00-¾"BSPOT-⅜"BSPIT	26	16	12	¾	⅜	31.9	-	32	0.08
14958112	ADAPTOR HP-00-¾"BSPOT-½"BSPIT	42.5	16	20	¾	½	31.9	16	32	0.15
14958095	ADAPTOR HP-00-1"BSPOT-¼"BSPIT	29	18	12	1	¼	39.9	-	41	0.19
14958100	ADAPTOR HP-00-1"BSPOT-½"BSPIT	29	18	14	1	½	39.9	-	41	0.15
14958102	ADAPTOR HP-00-1"BSPOT-¾"BSPIT	49	18	22	1	¾	39.9	20	41	0.28
14958120	ADAPTOR HP-00-1¼"BSPOT-1"BSPIT	54	20	24.5	1¼	1	49.9	25	50	0.45



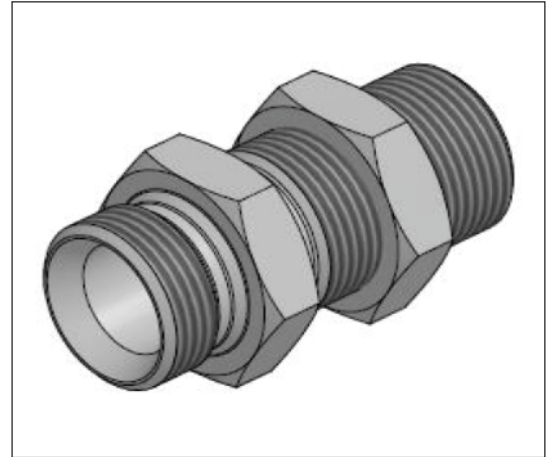
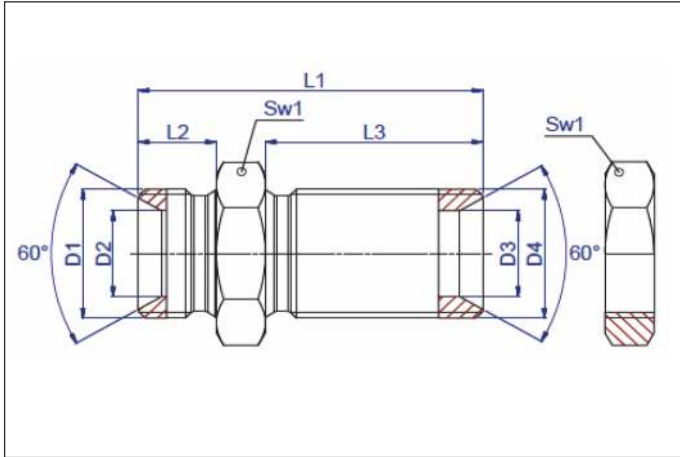
## STRAIGHT SWIVEL ADAPTOR BSPIT-BSPOT

Part no.	Description	L1 (mm)	L2 (mm)	D1 (")	D2 (mm)	D3 (")	Sw1 (mm)	Sw2 (mm)	Weight (kg)
01223648	ADAPTOR HP 00-SW-½"BSPIT-⅜"BSPOTC	46	11	½	9.5	⅜	27	22	0.10
01223650	ADAPTOR HP 00-SW-¾"BSPIT-½"BSPOTC	49	15	¾	11	½	32	27	0.15
01222909	ADAPTOR HP 00-SW-¾"BSPIT-¾"BSPOT	51	17	¾	17	¾	32	32	0.17
01223660	ADAPTOR HP 00-SW-¾"BSPITC-1"BSPOTC	54	17	¾	17	1	32	41	0.25
01223675	ADAPTOR HP 00-SW-1"BSPIT-½"BSPOTC	60	18	1	11	½	41	27	0.20
01223677	ADAPTOR HP 00-SW-1"BSPIT-¾"BSPOTC	53	18	1	17	¾	41	32	0.22
14799108	ADAPTOR HP 00-SW-1"BSPIT-1"BSPOT	56	19	1	22	1	41	41	0.26



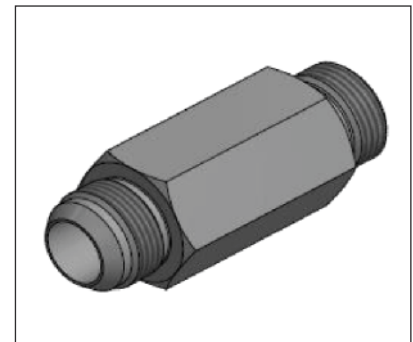
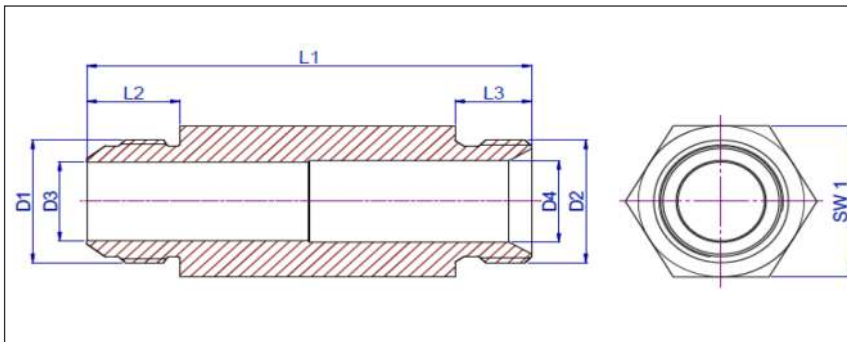
## STRAIGHT BULKHEAD ADAPTOR BSPOTC-BSPOTC

Part no.	Description	L1 (mm)	L2 (mm)	L3 (mm)	D1 (")	D2 (mm)	D3 (mm)	D4 (")	Sw1 (mm)	Weight (kg)
14950180	ADAPTOR BULKHEAD-00-3/4"BSPOTC x 3/4"BSPOTC	65	16	38	3/4	16	16	3/4	32	0.18
01317946	ADAPTOR BULKHEAD-00-1"BSPOTC x 1"BSPOTC	84	19	53	1	22	22	1	41	0.35
14950182	ADAPTOR BULKHEAD-00-1 1/4"BSPOTC x 1 1/4"BSPOTC	74	20	40	1 1/4	29	29	1 1/4	52	0.47



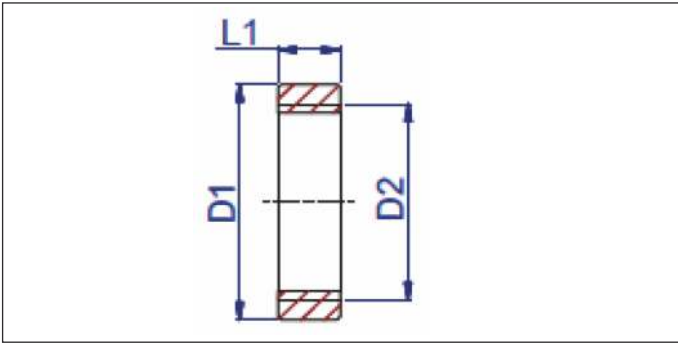
## STRAIGHT ADAPTOR LONG

Part no.	Description	L1 (mm)	L2 (mm)	L3 (mm)	D1 (")	D2 (")	D3 (mm)	D4 (mm)	Sw1 (mm)	Weight (kg)
14799340	ADAPTOR 1"BSPOTC x 1"JICOT-LONG	110	23.1	19	1	1	21.4	22.2	41	0.70
14799342	ADAPTOR 1"BSPOTC x 1"BSPOTC-LONG	110	19	19	1	1	22.2	22.2	41	0.72



## TREADED BUSH BSPIT

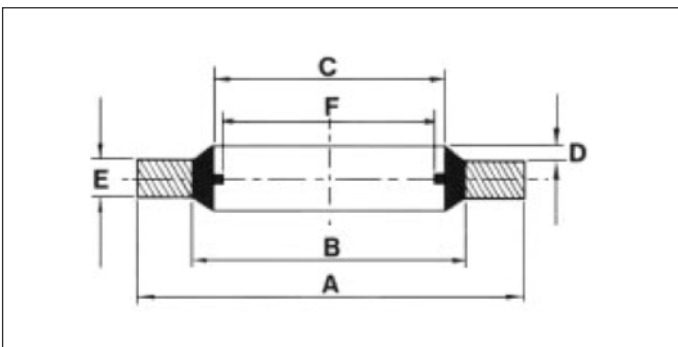
Part no.	Description	L1 (mm)	D1 (mm)	D2 (")	Weight (kg)
09223010	THREADED BUSH 3/4" BSPIT L=37MM	37	32	3/4	0.10
09223002	THREADED BUSH 1" BSPIT L=70MM	70	45	1	0.40
09223003	THREADED BUSH 1" BSPIT L=25MM	25	45	1	0.15



## BONDED SEAL

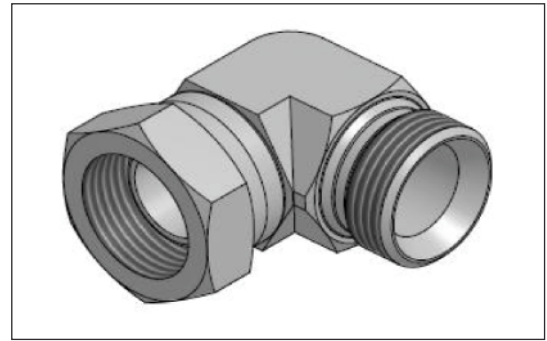
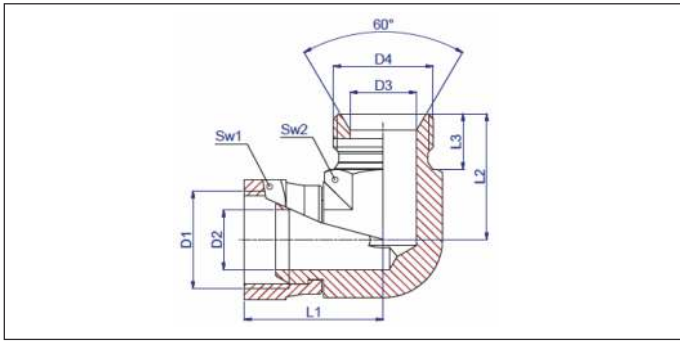
Part no.	Description	Thread size (")	A (mm) +0.13 -0.00	B (mm) ±0.10	C (mm) +0.10 -0.00	D (mm)	E (mm)	F (mm) +0.00 -0.20	Minimum Torque Required (Nm)
01206801	BONDED SEAL 1/8"	1/8	15.88	11.84	10.37	0.25 0.51	2.03	8.56	7.10
01206813	BONDED SEAL 1/4"	1/4	20.57	15.21	13.74			11.45	15.80
01206825	BONDED SEAL 3/8"	3/8	23.80	18.75	17.28			14.96	30.50
01206837	BONDED SEAL 1/2"	1/2	28.58	23.01	21.54	0.25 0.51	2.50	18.64	56.50
01206850	BONDED SEAL 3/4"	3/4	34.93	28.53	27.05			24.13	73.40
01313848	BONDED SEAL 1"	1	42.80	36.88	33.89	0.25 0.51	3.25	30.30	79
01206874	BONDED SEAL 1 1/4"	1 1/4	52.38	45.93	42.93			38.96	79
01206898	BONDED SEAL 1 1/2"	1 1/2	58.60	51.39	48.44			44.86	79

Surface Roughness	<=2.5	Micron
Washer Material	Mild steel (zinc plated)	Tensile strength 540Mps
Rubber Material	Nitrile	Shore Hardness 85+/- 5



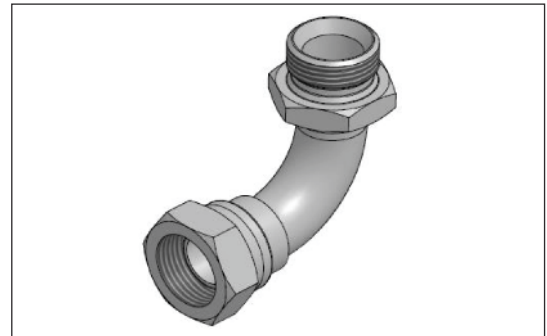
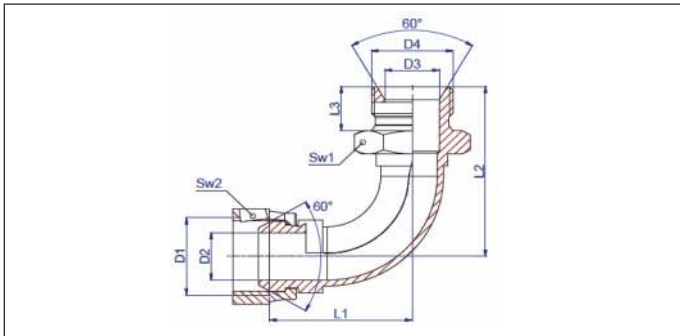
## 90° SWIVEL ADAPTOR BSPIT-BSPOTC

Part no.	Description	L1 (mm)	L2 (mm)	L3 (mm)	D1 (")	D2 (mm)	D3 (mm)	D4 (")	Sw1 (mm)	Sw2 (mm)	Weight (kg)
01317971	ADAPTOR HP-90-SW-1/2"BSPIT-1/2"BSPOTC	39	30.5	14	1/2	9.7	11.1	1/2	27	24	0.17
01317969	ADAPTOR HP-90-SW-3/4"BSPIT-3/4"BSPOTC	40.7	37	16	3/4	15.5	16.7	3/4	32	27	0.22
14799054	ADAPTOR HP-90-SW-1"BSPIT-3/4"BSPOTC	46.5	40	17	1	20.4	16.7	3/4	41	36	0.45
01317982	ADAPTOR HP-90-SW-1"BSPIT-1"BSPOTC	46.5	43	19	1	20.4	22.2	1	41	36	0.45



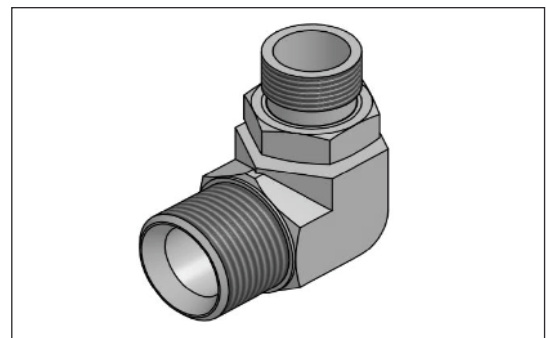
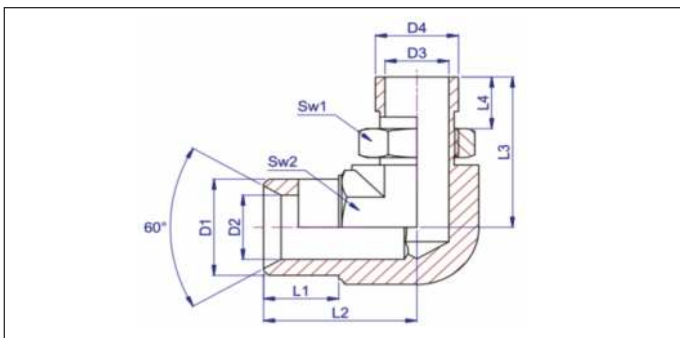
## ELBOW SWIVEL ADAPTOR BSPIT-BSPOTC

Part no.	Description	L1 (mm)	L2 (mm)	L3 (mm)	D1 (")	D2 (mm)	D3 (mm)	D4 (")	Sw1 (mm)	Sw2 (mm)	Weight (kg)
01317962	ADAPTOR HP-90-SW-3/8"BSPIT-3/8"BSPOTC-EL	35	58	12	3/8	7.1	7.9	3/8	22	22	0.09
01317970	ADAPTOR HP-90-SW-1/2"BSPIT-1/2"BSPOTC-EL	52	50	14	1/2	9.7	11.1	1/2	27	27	0.15
01317973	ADAPTOR HP-90-SW-3/4"BSPIT-3/4"BSPOTC-EL	57	65	16	3/4	15.5	16.7	3/4	32	32	0.24
01317974	ADAPTOR HP-90-SW-1"BSPIT-1"BSPOTC-EL	73	73	19	1	20.4	22.2	1	41	41	0.41
01317975	ADAPTOR HP-90-SW-1 1/4"BSPIT-1 1/4"BSPOTC-EL	81	76	20	1 1/4	26	28.6	1 1/4	50	50	0.55



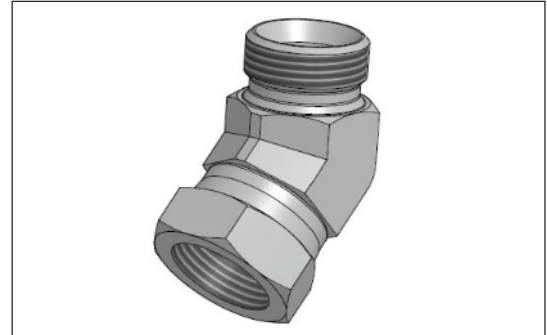
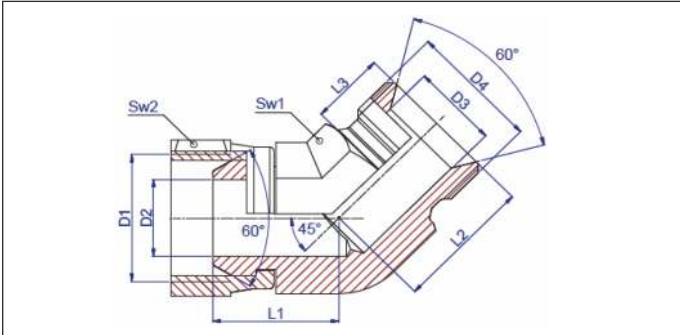
## 90° SWIVEL ADAPTOR BSPOTC-BSPOTF

Part no.	Description	L1 (mm)	L2 (mm)	L3 (mm)	L4 (mm)	D1 (")	D2 (mm)	D3 (mm)	D4 (")	Sw1 (mm)	Sw2 (mm)	Weight (kg)
01317997	ADAPTOR HP-90-3/4"BSPOTCx3/4"BSPOTF+NUT	20	40	50	16	3/4	16	16	3/4	32	27	0.31
01317998	ADAPTOR HP-90-1"BSPOTCx1"BSPOTF+NUT	24	45	52	19	1	21	21	1	41	36	0.46



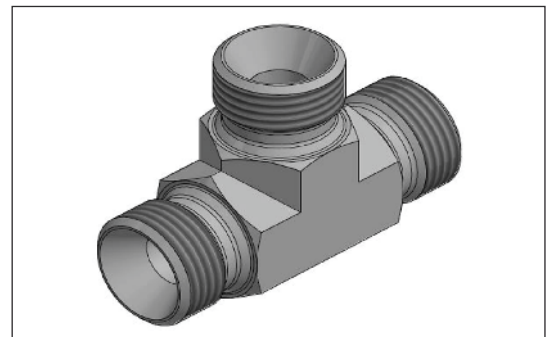
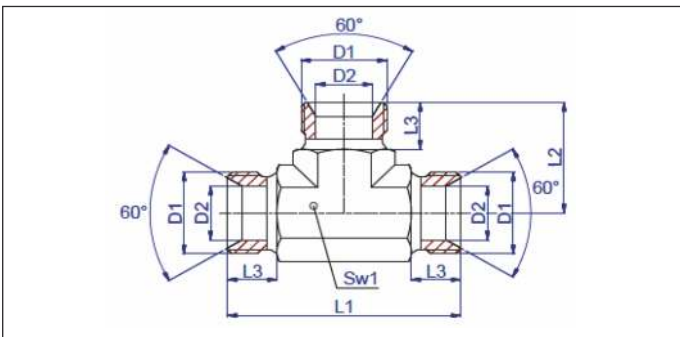
## 45° SWIVEL ADAPTOR BSPIT-BSPOT

Part no.	Description	L1 (mm)	L2 (mm)	L3 (mm)	D1 (")	D2 (mm)	D3 (mm)	D4 (")	Sw1 (mm)	Sw2 (mm)	Weight (kg)
01318410	ADAPTOR HP-45-SW-3/4"BSPIT-3/4"BSPOT	39	32	16	3/4	15.5	17	3/4	32	27	0.11
01317815	ADAPTOR HP-45-SW-1"BSPIT-1"BSPOT	42.5	35	19	1	20.5	22	1	41	36	0.38



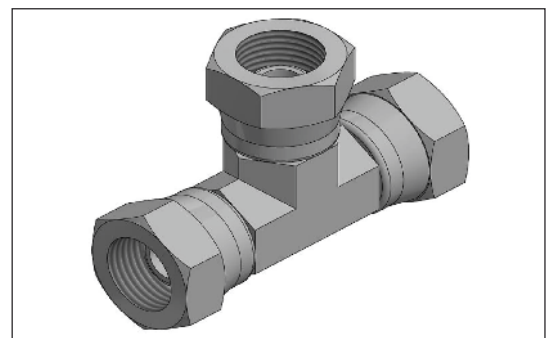
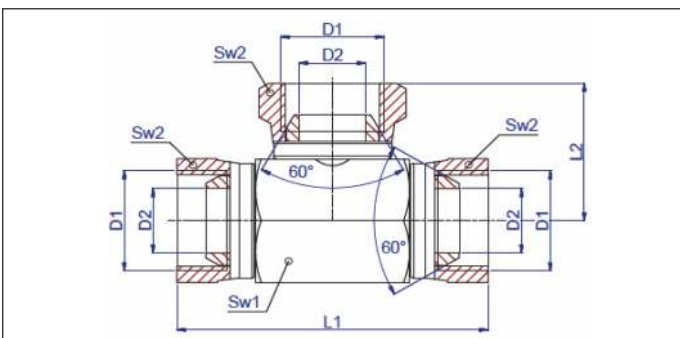
## T-PIECE BSPOT

Part no.	Description	L1 (mm)	L2 (mm)	L3 (mm)	D1 (")	D2 (mm)	Sw1 (mm)	Weight (kg)
01318292	ADAPTOR HP-T-3/8"BSPOTC (3X)	50	25	12	3/8	7.9	18	0.09
01318295	ADAPTOR HP-T-1/2"BSPOTC (3X)	68	34	14	1/2	11.1	22	0.19
01318300	ADAPTOR HP-T-3/4"BSPOTC (3X)	80	40	16	3/4	16.7	27	0.28
01318310	ADAPTOR HP-T-1"BSPOTC (3X)	89	44.5	19	1	22.2	36	0.50
01318315	ADAPTOR HP-T-1 1/4"BSPOT (3X)	104	52	20	1 1/4	28.6	50	1.10



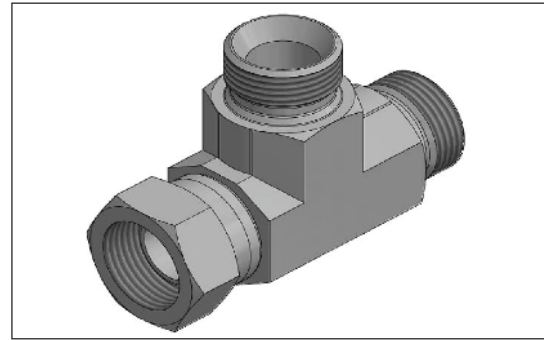
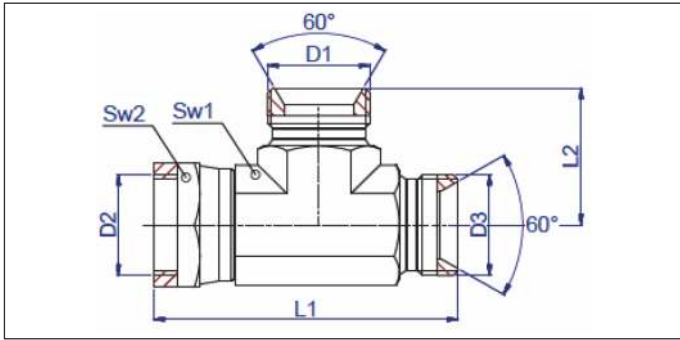
## T-PIECE BSPIT

Part no.	Description	L1 (mm)	L2 (mm)	D1 (")	D2 (mm)	Sw1 (mm)	Sw2 (mm)	Weight (kg)
01318293	ADAPTOR HP-T-SW-3/8"BSPITC (3X)	66	33	3/8	7.1	17	22	0.17
01318297	ADAPTOR HP-T-SW-1/2"BSPITC (3X)	70	35	1/2	9.7	22	27	0.28
01318240	ADAPTOR HP-T-SW-3/4"BSPIT (3X)	80	40	3/4	15.5	27	32	0.38
01318251	ADAPTOR HP-T-SW-1"BSPIT (3X)	103	51.5	1	20.4	36	41	0.83



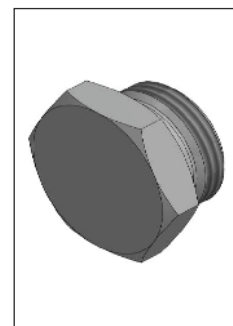
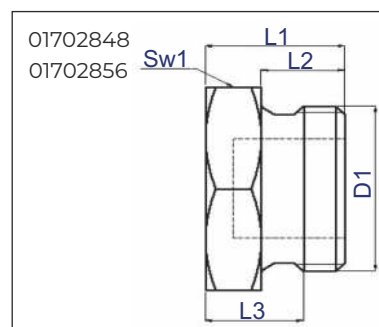
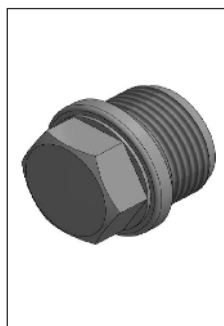
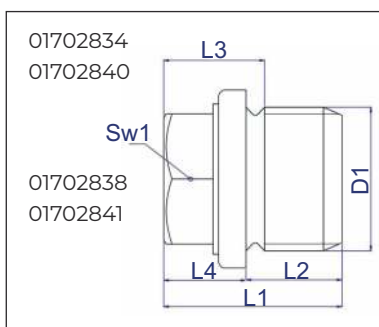
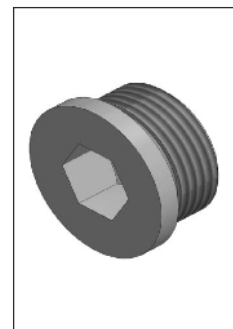
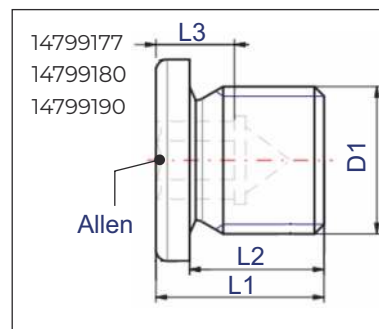
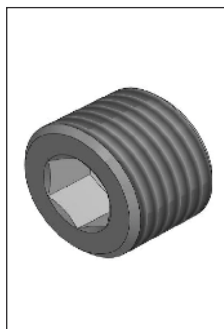
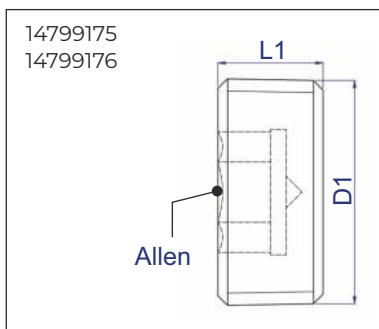
## T-PIECE SWIVEL BSPIT-BSPOTC

Part no.	Description	L1 (mm)	L2 (mm)	D1 (")	D2 (")	D3 (")	Sw1 (mm)	Sw2 (mm)	Weight (kg)
01318303	ADAPTOR HP-T-SW-3/4"BSPOTC-BSPIT-BSPOTC	89.7	45	3/4 BSPOTC	3/4 BSPOTC	3/4 BSPIT	32	32	0.47
01318305	ADAPTOR HP-T-SW-3/4"BSPOTC-BSPOTC-BSPIT	78	40.5	3/4 BSPIT	3/4 BSPOTC	3/4 BSPOTC	32	32	0.39
01318195	ADAPTOR HP-T-SW-1"BSPIT-BSPOTC-BSPOTC	90	53.5	1 BSPIT	1 BSPOTC	1 BSPOTC	36	41	0.63
01318253	ADAPTOR HP-T-SW-1"BSPOTC-BSPIT-BSPOTC	98.5	45	1 BSPOTC	1 BSPOTC	1 BSPIT	36	41	0.60



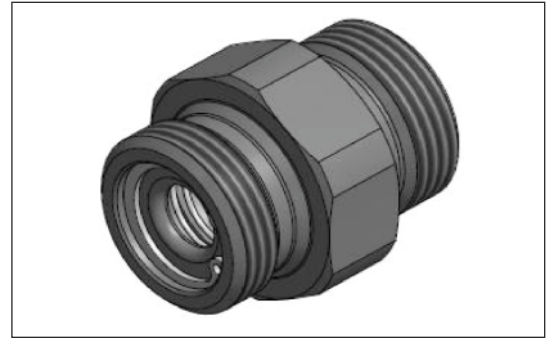
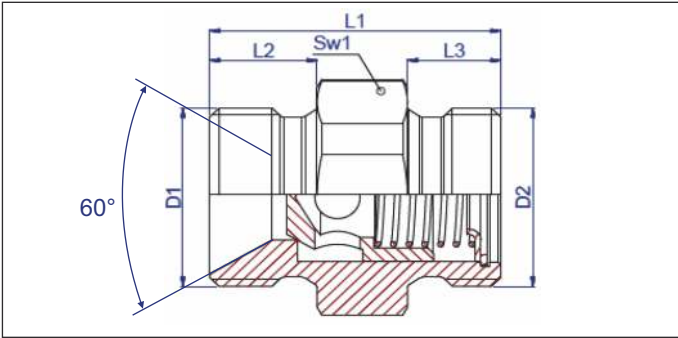
## PLUG BSPOT

Part no.	Description	L1 (mm)	L2 (mm)	L3 (mm)	L4 (mm)	D1 (")	Sw1 (mm)	Allen (mm)	Weight (kg)
14799176	3/4"BSPOT-ALLEN PLUG DIN906	10	-	-	-	3/4	-	7	0.01
14799175	1/2"BSPOT-ALLEN PLUG DIN906	10	-	-	-	1/2	-	10	0.02
14799177	ALLEN PLUG 3/4"BSPOT DIN908	15	12	7	-	3/4	-	6	0.015
14799180	ALLEN PLUG 1/2"BSPOT DIN908	18	14	8	-	1/2	-	10	0.04
14799190	ALLEN PLUG 1"BSPOT DIN908	21	16	9	-	1	-	17	0.12
01702834	PLUG 3/4"BSPOT DIN910	21	12	-	9	3/4	13	-	0.024
01702840	PLUG 3/8"BSPOT DIN910	21	12	-	9	3/8	17	-	0.032
01702838	PLUG 1/2"BSPOT DIN910	26	14	17	15	1/2	19	-	0.06
01702841	PLUG 3/4"BSPOT DIN910 ZP	30	16	15	10	3/4	32	-	0.12
01702848	PLUG 1"BSPOT	28	15	18	-	1	41	-	0.18
01702856	PLUG 1 1/4"BSPOTC (WITH 60° INTERNAL CONE)	33	20	18	-	1 1/4	50	-	0.30



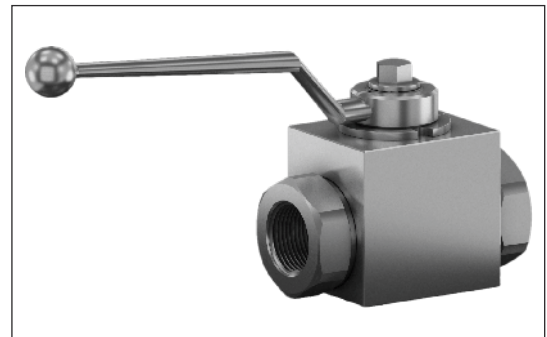
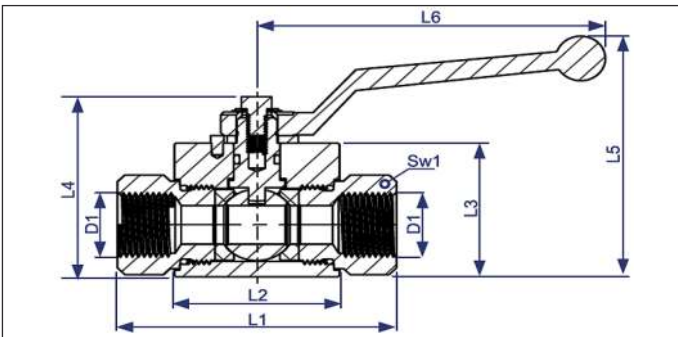
## NON-RETURN VALVE BSPOT

Part no.	Description	L1 (mm)	L2 (mm)	L3 (mm)	D1 (")	D2 (")	Sw1 (mm)	Weight (kg)
14739975A	NON RETURN VALVE 1"BSPOTx1"BSPOTC	51.5	19	16.5	1	1	41	0.25



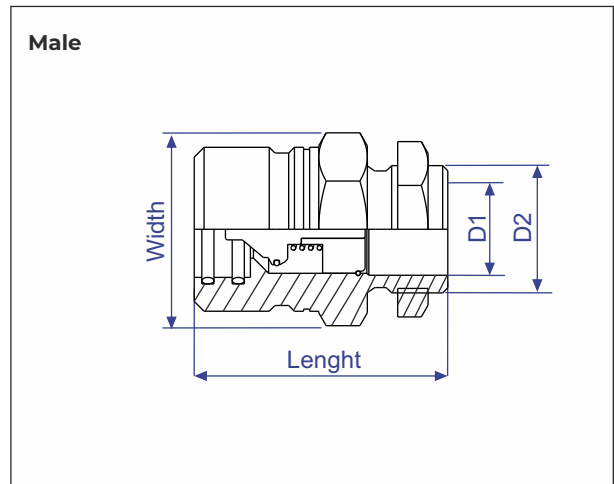
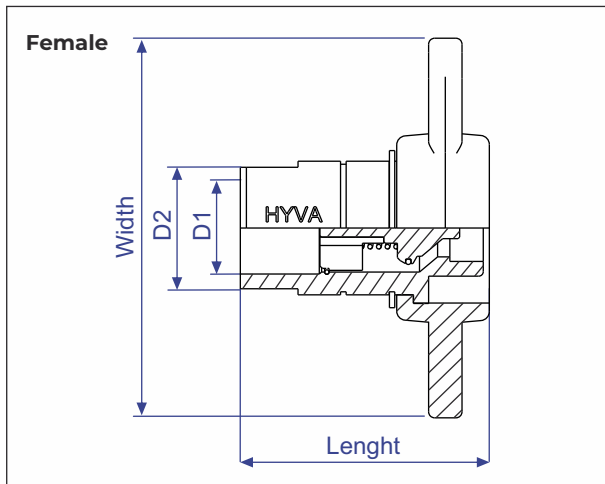
## HIGH-PRESSURE BALL VALVE BSPIT-BSPIT

Part no.	Description	L1 (mm)	L2 (mm)	L3 (mm)	L4 (mm)	L5 (mm)	L6 (mm)	D1 (")	Sw1 (mm)	Weight (kg)	Max. Working Pressure (bar)
14780983	BALL VALVE HP 1/2"BSPIT X 1/2"BSPIT	84.5	50	45	55.5	81	105.5	1/2	35	0.71	500
14780984	BALL VALVE HP 3/4"BSPIT X 3/4"BSPIT	93	60	58	73	108	159.5	3/4	46	1.51	500
14780989	BALL VALVE HP 1"BSPIT X 1"BSPIT	115	65	65	80	115	159.5	1	46	2.30	350



## QUICK RELEASE COUPLINGS WITH SWIVEL CONNECTION

Part no.	Description	D1 BSPIT	D2 BSPOT	Pressure (bar)	Flow (L/min.)	Weight (kg)	Length (mm)	Width (mm)	Lock nut included
01332600	QR COUPLING 3/4" BSPIT-FEMALE-SW-280B-160L	3/4"	-	280	160	0.8	77	115	-
01332605	QR COUPLING 3/4" BSPIT-MALE-SW-280B-160L	3/4"	-	280	160	0.7	78	51	1 1/4" BSPIT
01332650	QR COUPLING 1" BSP0T-FEMALE-SW-280B-160L	-	1"	280	160	0.7	73	115	-
01332655	QR COUPLING 1" BSP0T-MALE-SW-280B-160L	-	1"	280	160	0.5	74	46	-
01332625	QR COUPLING 1" BSPIT-FEMALE-SW-250B-190L	1"	-	250	190	0.8	82	115	-
01332630	QR COUPLING 1" BSPIT-MALE-SW-250B-190L	1"	-	250	190	0.9	83	55	1 1/4" BSPIT



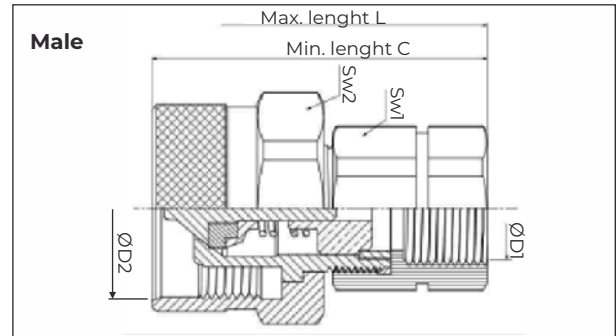
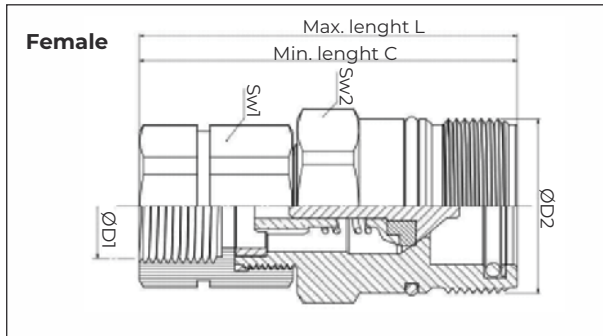
## ORDER POSSIBILITIES

Kit no.	Description	Including		Option A	Option B	Option C	Option D
		Coupling	Dust cover	3/4"	3/4" - 90°	1"	1" - 90°
HB120	QR COUPLING 3/4" BSPIT-FEMALE-SW-280B-160L	01332600	01332615	NK1212R	NK1212H	NK1216R	NK1216H
HB100	QR COUPLING 3/4" BSPIT-MALE-SW-280B-160L	01332605	01332610	NK1212R	NK1212H	NK1216R	NK1216H
HB220	QR COUPLING 1" BSPIT-FEMALE-SW-250B-190L	01332625	01332640	NK1612R	NK1612H	NK1616R	NK1612H
HB200	QR COUPLING 1" BSPIT-MALE-SW-250B-190L	01332630	01332635	NK1612R	NK1612H	NK1616R	NK1616H



## QUICK RELEASE COUPLINGS WITH SWIVEL CONNECTION

Part no.	Description	ØD1 BSPIT	ØD2 (mm)	Pressure (bar)	Flow (L/min.)	Weight (kg)	Min. length C (mm)	Max. length L (mm)	Sw1 (mm)	Sw2 (mm)
14785360	QR COUPLING SCREW 3/8" BI FEMALE	3/8"	OD.28	450	32	0.15	64	98	22	30
14785350	QR COUPLING SCREW 3/8" BI MALE	3/8"	IM.28	450	32	0.15	61	98	22	36



## QUICK RELEASE COUPLINGS WITH PUSH-PULL CONNECTION

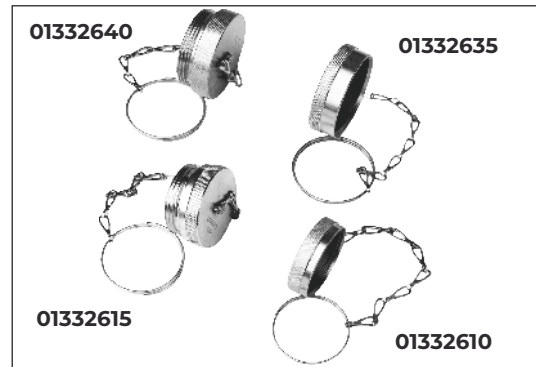
Part no.	Description	BSPIT	Pressure (bar)	Flow (L/min.)	Length (mm)	Width (mm)	SW (mm)	Dust cover not included
14785110*	QR COUPLING 1/2" BSPIT-FEMALE-PP-300B-045L	1/2"	300	45	63.5	38	30	14785334
14785115*	QR COUPLING 1/2" BSPIT-MALE-PP-300B-045L	1/2"	300	45	50	27	27	14785336
14785262*	QR COUPLING 3/4" BSPIT-FEMALE-PP-250B-175L	3/4"	250	175	83.5	46	38	14785286
14785250*	QR COUPLING 3/4" BSPIT-MALE-PP-250B-175L	3/4"	250	175	63	36	36	14785274
14785316	QR COUPLING 1" BSPIT-FEMALE-PP-230B-300L	1"	230	300	97	52	46	14785330
14785304	QR COUPLING 1" BSPIT-MALE-PP-230B-300L	1"	230	300	69	41	41	14785328

\* Produced according to ISO 7241-A



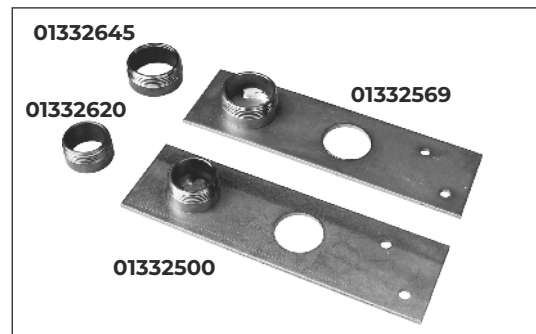
## DUST COVERS FOR SWIVEL QR COUPLINGS

Part no.	Description	Suitable for QR coupling
01332610	DUST COVER FOR MALE ¾" QR COUPLING SW	01332605
01332615	DUST COVER FOR FEMALE ¾" QR COUPLING SW	01332600
01332640	DUST COVER FOR MALE 1" QR COUPLING SW	01332625 / 01332650
01362635	DUST COVER FOR FEMALE 1" QR COUPLING SW	01332630 / 01332655



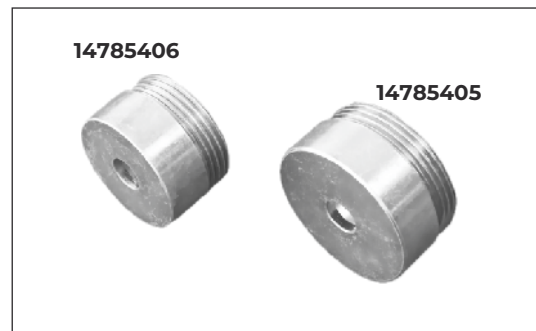
## MOUNTING PLATE AND WELDING SOCKET FOR SWIVEL QR COUPLINGS

Part no.	Description	Suitable for QR coupling
01332500	MOUNTING PLATE FOR ¾" QR COUPLING SW	01332600
01332569	MOUNTING PLATE FOR 1" QR COUPLING SW	01332650
01332620	WELDING SOCKET FOR ¾" QR COUPLING SW	01332600
01362645	WELDING SOCKET FOR 1" QR COUPLING SW	01332650



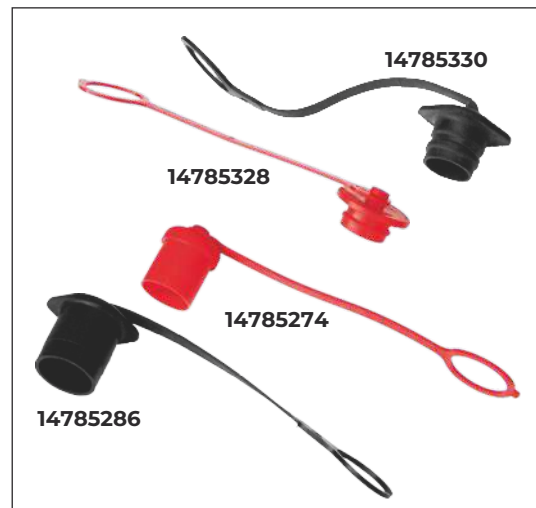
## RETAINER FOR SWIVEL QR COUPLINGS

Part no.	Description	Suitable for QR coupling
14785406	RETAINER 1⅜" BSP FOR QR COUPLING SW	01332600
14785405	RETAINER 1¼" BSP FOR QR COUPLING SW	01332650



## DUST COVERS FOR PUSH-PULL QR COUPLINGS

Part no.	Description	Suitable for QR coupling
14785334	DUST COVER FOR FEMALE QR COUPLING PP	14785110
14785336	DUST COVER FOR MALE QR COUPLING PP	14785115
14785286	DUST COVER FOR FEMALE QR COUPLING PP	14785262
14785274	DUST COVER FOR MALE QR COUPLING PP	14785250
14785330	DUST COVER FOR FEMALE QR COUPLING PP	14785316
14785328	DUST COVER FOR MALE QR COUPLING PP	14785304





**110 countries**  
**+3,500 employees**  
**20,000 customers**  
**+30 subsidiaries**  
**14 production facilities**



**Hyva is a leading provider of innovative and highly efficient transport solutions for commercial vehicles used in transport, construction, mining, materials handling and environmental service industries.**

**Founded in 1979 in the Netherlands, the company has a global presence with more than 30 wholly owned subsidiaries, extraordinary service coverage and 14 manufacturing facilities in Brazil, China, Europe and India.**

For more information on Hyva, please visit [www.hyva.com](http://www.hyva.com)

or follow us on:



**Hyva Holding B.V.**  
Antonie van Leeuwenhoekweg 37  
2408 AK Alphen aan den Rijn  
The Netherlands  
Telephone: +31 (0)172 - 42 35 55  
Telefax: +31 (0)172 - 42 08 80  
info@hyva.com  
www.hyva.com



Quality and  
environmental certified

DEALER STAMP