



COMPONENT CATALOG
HOSES & ADAPTORS

INTRODUCTION	4
LOW PRESSURE HOSES & HOSE CLIPS	6
• LOW PRESSURE HOSES LP-20, LP-28 AND LP-32	6
• HOSE CLIPS FOR LP HOSES	6
HIGH PRESSURE HOSES	7
• HIGH PRESSURE HOSES WITH STRAIGHT CONNECTION	7
• HIGH PRESSURE HOSES WITH 90° CONNECTIONS	8
HOSE FIXING PARTS	9
• HOSE FIXING P-CLIPS	9
• HOSE CLAMPS	9
• HOSE CLAMPS WITH RUBBER INLAY	9
SPIRAL HOSE PROTECTION	10
HOSE GUIDE ARM FLEX SAVER EASY	11
LOW PRESSURE ADAPTORS	12
• STRAIGHT HOSE PILLAR	12
• STRAIGHT ADAPTOR BSPOT-BSPOT	12
• O-RING FOR STRAIGHT ADAPTOR	12
• 90° HOSE PILLAR BSPOT	13
• 90° ADAPTOR BSPIT-BSPOT	14
• 45° HOSE PILLAR BSPOT	14
• O-RING FOR 45° & 90° ADAPTORS	14
• BALL VALVE BSPIT-BSPOT	15
• BALL VALVE BSPIT-BSPIT	15
HIGH PRESSURE ADAPTORS	16
• STRAIGHT ADAPTOR BSPOT	16
• M. TREAD BSP	16
• STRAIGHT ADAPTOR BSPOT-BSPIT	17
• STRAIGHT SWIVEL ADAPTOR BSPIT-BSPOT	17
• STRAIGHT BULKHEAD ADAPTOR BSPOT-BSPOT	18
• TREADED BUSH BSPIT	18
• BONDED SEAL	18
• 90° SWIVEL ADAPTOR BSPIT-BSPOT	19
• ELBOW SWIVEL ADAPTOR BSPIT-BSPOT	19
• 90° SWIVEL ADAPTOR BSPOTC-BSPOTF	19
• 45° SWIVEL ADAPTOR BSPIT-BSPOT	20
• T-PIECE BSPOT	20
• T-PIECE BSPIT	20
• T-PIECE SWIVEL BSPIT-BSPOT	21
• NON-RETURN VALVE BSPOT	21
• PLUG BSPOT	22
QUICK RELEASE COUPLINGS & ACCESSORIES	23
• QUICK RELEASE COUPLINGS WITH SWIVEL CONNECTION	23
• QUICK RELEASE COUPLINGS WITH PUSH-PULL CONNECTION	24
• DUST COVERS FOR SWIVEL QR COUPLINGS	25
• MOUNTING PLATE AND WELDING SOCKET FOR SWIVEL QR COUPLINGS	25
• RETAINER FOR SWIVEL QR COUPLING	25
• DUST COVERS FOR PUSH-PULL QR COUPLINGS	25

Hyva hoses

Hoses offered by Hyva comply with the highest safety standards for truck hydraulics. Working pressures range from 225 to 350 bar.

Code system for hoses

Hose	1"	HP	16	2000	00	90		
	1"						Inner diameter	HP = High pressure
		HP					Pressure range	LP = Low pressure
				2000			Length in mm	
					00		First hose end	00 = Straight connection B.S.P.
						90	Second hose end	01 = Straight connection metric 90 = 90° connection B.S.P. 91 = 90° connection metric BANJO = Banjo connection

The best sealing is created if the HP-hose is connected to an Adaptor with a 60 degree cone. This cone equals the shape of the standard fitted hose adaptors and increases the sealing surface.

Hyva Adaptors

No hydraulic kit can be installed without the use of adaptors to match hydraulic components to each other. Listed is the main stream of Adaptors in our range.

Code system for Adaptors

Adaptor	HP	00	SW	1¼"BSPOT	1¼"BSPIT		
	HP					Pressure range	HP = High pressure LP = Low pressure PN = Pneumatic
		00				Orientation	00 = Straight 45 = 45°
			SW			In case of one of the connections is swivel	90 = 90° T = T-piece
				1¼"BSPOT		First connection	BSPIT = B.S.P. inner thread
					1¼"BSPIT	Second connection	BSPOT = B.S.P. outer thread BSPOTC = B.S.P. outer thread with cone 60° BSPOTF = B.S.P. outer thread flat faced BSPP = B.S.P. parallel thread BSPT = B.S.P. tapered thread PIPE = connection for pipe

Hyva Q.R. couplings

Quick release couplings are available with a swivel connection, with a flow of 160 litres up to 190 litres. The available kits enclose the adaptors, couplings and dust caps for the female or male side. Optional we offer bolt-on and welding sockets and mounting plates.

The second range we offer is of the push-pull type. As these are less common for truck application we do not offer these as a kit. Ask for a specification sheet for details on standard.

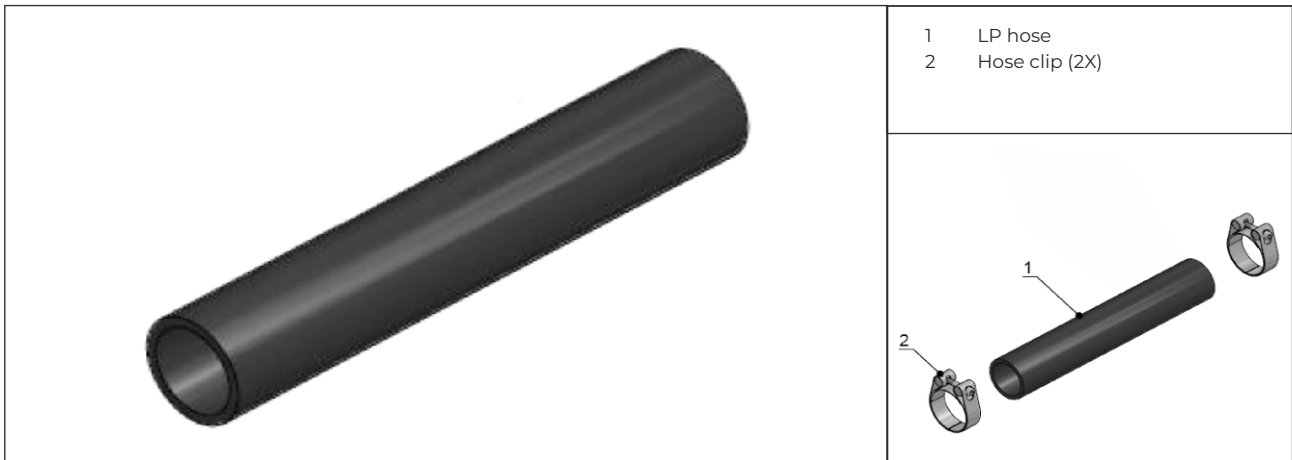
Code system for hoses

QR coupling	¾" BSPIT	female	SW	280B	160L	
					160L	Working volume in L/min.
				280B		Working pressure in Bar
			SW			Coupling connection
		female				male or female
	¾" BSPIT					Hose connection
						SW = Swivel
						PP = Push-Pull
						BSPIT = B.S.P. inner thread
						BSPOT = B.S.P. outer thread
						BSPOTC = B.S.P. outer thread with cone 60°

LOW PRESSURE HOSES LP-20, LP-28 AND LP-32

Part no.	Description	Type	Inner Ø (")	Max. pressure (bar)	Min. bending radius (mm)	Weight (kg)	Hose clip* (2)	Hose fixing P-clip* (3)
14795034	HOSE 1¼"-LP-20-01500	LP-20	1¼	14	210	2.0	14796594	09223006
14795036	HOSE 1¼"-LP-20-02000	LP-20	1¼	14	210	2.7	14796594	09223006
14795038	HOSE 1¼"-LP-20-02250	LP-20	1¼	14	210	3.0	14796594	09223006
14795040	HOSE 1¼"-LP-20-02500	LP-20	1¼	14	210	3.33	14796594	09223006
14795116	HOSE 1¾"-LP-28-01000	LP-28	1¾	7	280	1.45	14796600	09223001
14795137	HOSE 1¾"-LP-28-01380	LP-28	1¾	7	280	2.0	14796600	09223001
14795118	HOSE 1¾"-LP-28-01500	LP-28	1¾	7	280	2.17	14796600	09223001
14795120	HOSE 1¾"-LP-28-02000	LP-28	1¾	7	280	2.42	14796600	09223001
14795130	HOSE 1¾"-LP-28-02250	LP-28	1¾	7	280	3.15	14796600	09223001
14795131	HOSE 1¾"-LP-28-02500	LP-28	1¾	7	280	3.75	14796600	09223001
14795132	HOSE 1¾"-LP-28-03000	LP-28	1¾	7	280	4.6	14796600	09223001
14795852	HOSE 2"-LP-32-01500	LP-32	2	7	300	2.75	14796612	09223001
14795853	HOSE 2"-LP-32-02000	LP-32	2	7	300	3.67	14796612	09223001
14795860	HOSE 2"-LP-32-02225	LP-32	2	7	300	4.1	14796612	09223001
14795854	HOSE 2"-LP-32-02500	LP-32	2	7	300	4.6	14796612	09223001
14795855	HOSE 2"-LP-32-03000	LP-32	2	7	300	5.5	14796612	09223001
14795856	HOSE 2"-LP-32-03500	LP-32	2	7	300	6.42	14796612	09223001

* Hose clips and hose fixing P-clips have to be ordered separately or together with the hose as a complete kit.
Ask your local Hyva dealer for these possibilities.



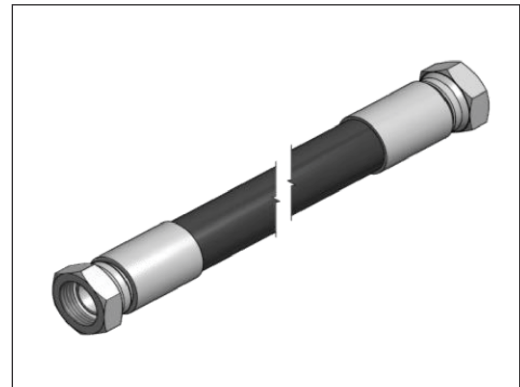
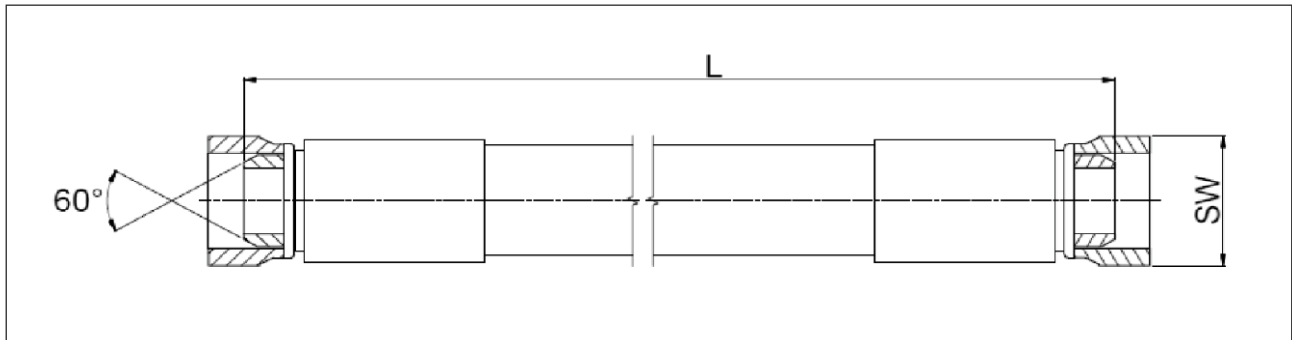
HOSE CLIPS FOR LP HOSES

Part no.	Description
14796594	HOSE CLIP FOR 1¼" L.P. 20 HOSE
14796600	HOSE CLIP FOR 1¾" L.P. 28 HOSE
14796612	HOSE CLIP FOR 2" L.P. 32 HOSE



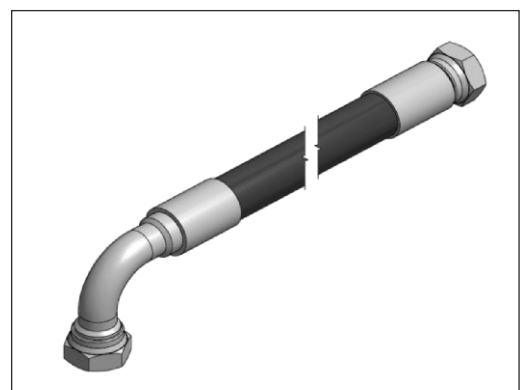
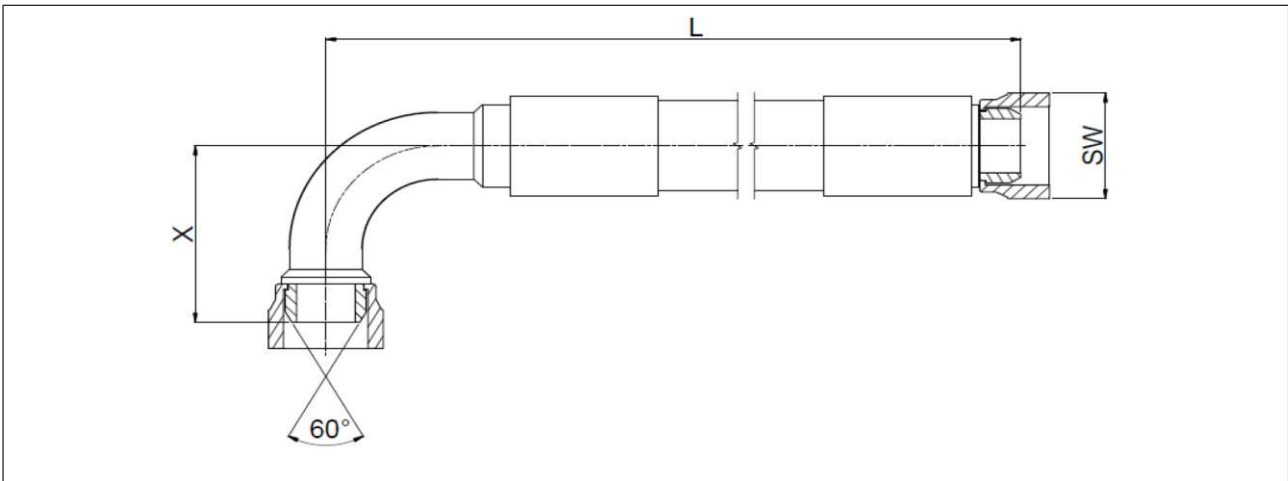
HIGH PRESSURE HOSES WITH STRAIGHT CONNECTIONS

Part no.	Description	Type	Thread ("BSP)	Max. pressure (bar)	Min. bending radius (mm)	SW (mm)	L (mm)	Weight (kg)
14789 483	HOSE ½"-HP-08-00700-00-00	HP-08	½	310	90	27	700	0.58
14789 486	HOSE ½"-HP-08-01000-00-00	HP-08	½	310	90	27	1000	0.9
14789504	HOSE ½"-HP-08-01500-00-00	HP-08	½	310	90	27	1500	0.97
14789510	HOSE ½"-HP-08-02000-00-00	HP-08	½	310	90	27	2000	1.22
14789530	HOSE ½"-HP-08-02500-00-00	HP-08	½	310	90	27	2500	1.6
14789549	HOSE ½"-HP-08-03000-00-00	HP-08	½	310	90	27	3000	1.7
14789553	HOSE ½"-HP-08-03500-00-00	HP-08	½	310	90	27	3500	2.2
14790 014	HOSE ¾"-HP-12-00700-00-00	HP-12	¾	280	150	32	700	0,88
14790 026	HOSE ¾"-HP-12-01000-00-00	HP-12	¾	280	150	32	1000	1.12
14790 002	HOSE ¾"-HP-12-01200-00-00	HP-12	¾	280	150	32	1200	1.37
14790 038	HOSE ¾"-HP-12-01500-00-00	HP-12	¾	280	150	32	1500	1.5
14790 040	HOSE ¾"-HP-12-02000-00-00	HP-12	¾	280	150	32	2000	1.9
14790 051	HOSE ¾"-HP-12-02500-00-00	HP-12	¾	280	150	32	2500	2.31
14790 063	HOSE ¾"-HP-12-03000-00-00	HP-12	¾	280	150	32	3000	2,71
14790 087	HOSE ¾"-HP-12-03500-00-00	HP-12	¾	280	150	32	3500	3.2
14790 075	HOSE ¾"-HP-12-04000-00-00	HP-12	¾	280	150	32	4000	3.6
14790 710	HOSE 1"-HP-16-01000-00-00	HP-16	1	250	160	41	1000	1.9
14790 712	HOSE 1"-HP-16-01200-00-00	HP-16	1	250	160	41	1200	2.16
14790 715	HOSE 1"-HP-16-01500-00-00	HP-16	1	250	160	41	1500	2.52
14790 720	HOSE 1"-HP-16-02000-00-00	HP-16	1	250	160	41	2000	3.14
14790 725	HOSE 1"-HP-16-02500-00-00	HP-16	1	250	160	41	2500	3.75
14790 730	HOSE 1"-HP-16-03000-00-00	HP-16	1	250	160	41	3000	4.37
14790 735	HOSE 1"-HP-16-03500-00-00	HP-16	1	250	160	41	3500	4.99
14790 740	HOSE 1"-HP-16-04000-00-00	HP-16	1	250	160	41	4000	5.6
14790 745	HOSE 1"-HP-16-04500-00-00	HP-16	1	250	160	41	4500	6.22
14790 750	HOSE 1"-HP-16-05000-00-00	HP-16	1	250	160	41	5000	6.84



HIGH PRESSURE HOSES WITH 90° CONNECTIONS

Part no.	Description	Type	Thread ("BSP)	Max. pressure (bar)	Min. bending radius (mm)	SW (mm)	X (mm)	L (mm)	Weight (kg)
14789589	HOSE ½"-HP-08-00700-00-90	HP-08	½	310	90	27	42	700	0.61
14789570	HOSE ½"-HP-08-01000-00-90	HP-08	½	310	90	27	42	1000	0.76
14789582	HOSE ½"-HP-08-01500-00-90	HP-08	½	310	90	27	42	1500	1.01
14789583	HOSE ½"-HP-08-02000-00-90	HP-08	½	310	90	27	42	2000	1.23
14789535	HOSE ½"-HP-08-02500-00-90	HP-08	½	310	90	27	42	2500	1.6
14789550	HOSE ½"-HP-08-03000-00-90	HP-08	½	310	90	27	42	3000	1.77
14789591	HOSE ½"-HP-08-03500-00-90	HP-08	½	310	90	27	42	3500	2.01
14790117	HOSE ¾"-HP-12-00700-00-90	HP-12	¾	280	150	32	55	700	1.0
14790129	HOSE ¾"-HP-12-01000-00-90	HP-12	¾	280	150	32	55	1000	1.2
14790132	HOSE ¾"-HP-12-01200-00-90	HP-12	¾	280	150	32	55	1200	1.4
14790130	HOSE ¾"-HP-12-01500-00-90	HP-12	¾	280	150	32	55	1500	1.59
14790142	HOSE ¾"-HP-12-02000-00-90	HP-12	¾	280	150	32	55	2000	1.99
14790154	HOSE ¾"-HP-12-02500-00-90	HP-12	¾	280	150	32	55	2500	2.35
14790166	HOSE ¾"-HP-12-03000-00-90	HP-12	¾	280	150	32	55	3000	2.9
14790170	HOSE ¾"-HP-12-03500-00-90	HP-12	¾	280	150	32	55	3500	3.4
14790178	HOSE ¾"-HP-12-04000-00-90	HP-12	¾	280	150	32	55	4000	3.8
14794607	HOSE 1"-HP-16-00700-00-90	HP-16	1	250	160	41	70	700	1.63
14794610	HOSE 1"-HP-16-01000-00-90	HP-16	1	250	160	41	70	1000	2.0
14794612	HOSE 1"-HP-16-01200-00-90	HP-16	1	250	160	41	70	1200	2.38
14794615	HOSE 1"-HP-16-01500-00-90	HP-16	1	250	160	41	70	1500	2.75
14794620	HOSE 1"-HP-16-02000-00-90	HP-16	1	250	160	41	70	2000	3.36
14794625	HOSE 1"-HP-16-02500-00-90	HP-16	1	250	160	41	70	2500	3.98
14794630	HOSE 1"-HP-16-03000-00-90	HP-16	1	250	160	41	70	3000	4.60
14794635	HOSE 1"-HP-16-03500-00-90	HP-16	1	250	160	41	70	3500	5.21
14794640	HOSE 1"-HP-16-04000-00-90	HP-16	1	250	160	41	70	4000	5.83
14794645	HOSE 1"-HP-16-04500-00-90	HP-16	1	250	160	41	70	4500	6.45
14794650	HOSE 1"-HP-16-05000-00-90	HP-16	1	250	160	41	70	5000	7.06



HOSE FIXING P-CLIPS

Part no.	Description	Hose diameter
09223004	HOSE FIXING P-CLIP D=31 MM (HD12)	3/4"
09223018	HOSE FIXING P-CLIP D=36MM (HD16)	1"
09223006	HOSE FIXING P-CLIP D=46MM (LP20)	1 1/4"
09223001	HOSE FIXING P-CLIP D=61MM (LP28)	1 3/4"



HOSE CLAMPS

Part no.	Description	Hose diameter
14959030	CLAMP HOSE 28MM	3/4"
14959041	CLAMP HOSE 36MM (PPH)	1"



HOSE CLAMP WITH RUBBER INLAY

Part no.	Description	Hose diameter
09223017	CLAMP 20-24 MM RUBBER INLAY (HP 1/2")	1/2"
09223015	CLAMP 25-30 MM RUBBER INLAY (HP 3/4")	3/4"
09223013	CLAMP 32-37 MM RUBBER INLAY (HP 1")	1"
09223011	CLAMP 44-49 MM RUBBER INLAY (LP 1 1/4")	1 1/4"
09223016	CLAMP 54-58 MM RUBBER INLAY (LP 1 3/4")	1 3/4"
09223012	CLAMP 59-64 MM RUBBER INLAY (LP 2")	2"



SPIRAL PROTECTION FOR HOSES

Part no.	Description	Inner Dimension (mm)	Outer Dimension (mm)	Colour	Thickness (mm)	Pitch (mm)	Recommended hose OD range (mm)	Weight (kg)	Length (m)
14799503	SPIRAL PROTECTION FOR 3/4" HOSES - L500	27	32	BLACK	2.5	22	25- 34	0.20	1.0
14799500	SPIRAL PROTECTION FOR 1" HOSES - L500	43	50	BLACK	3.4	30	41 - 54	0.20	0.5
14799501	SPIRAL PROTECTION FOR 1" HOSES - L1000	43	50	BLACK	3.4	30	41 - 54	0.40	1.0
14799502	SPIRAL PROTECTION FOR 1" HOSES - L1500	43	50	BLACK	3.4	30	41 - 54	0.60	1.5



HOSE GUIDE ARM FLEX SAVER EASY

Part no.	Description	Chassis widths (mm)	Weight (kg)
14801110	HOSE GUIDE ARM FLEX SAVER EASY H=35mm	495 to 710	11
14801111*	HOSE GUIDE ARM FLEX SAVER EASY H=70mm	495 to 710	11

* Flex saver (14801111) is the same as flex saver (14801110) only it will be delivered with an extra spacer kit (14801115) to create more height.

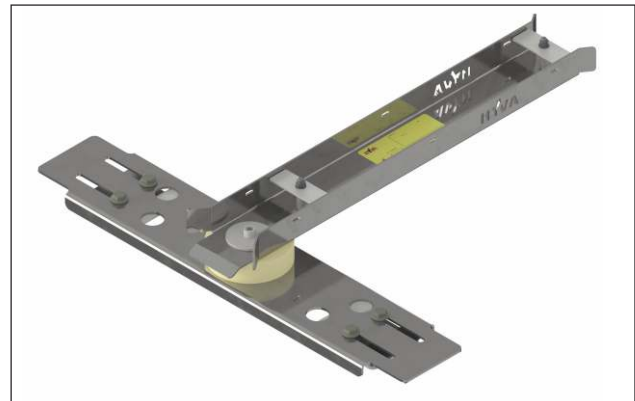
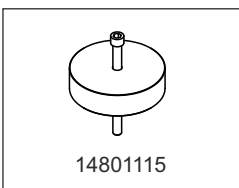
14801110 (1 spacer)
H=35

14801111 (2 spacers)
H=70
14801110 + 14801115 spacer kit

Dimensions are in mm

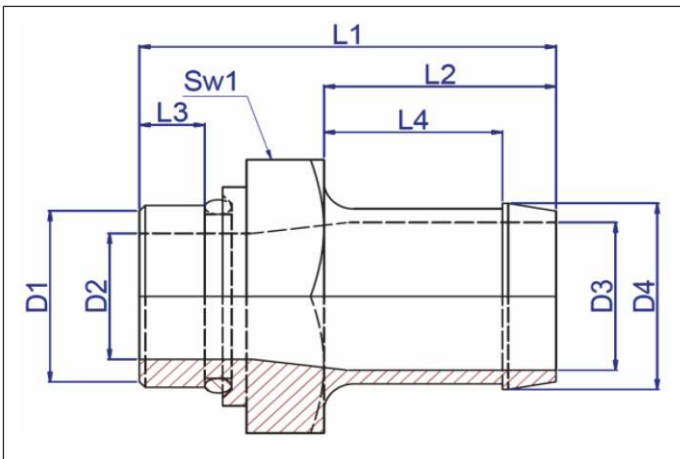
SPARE PART

Part no.	Description	Qty.
14801115	SPACER KIT	1



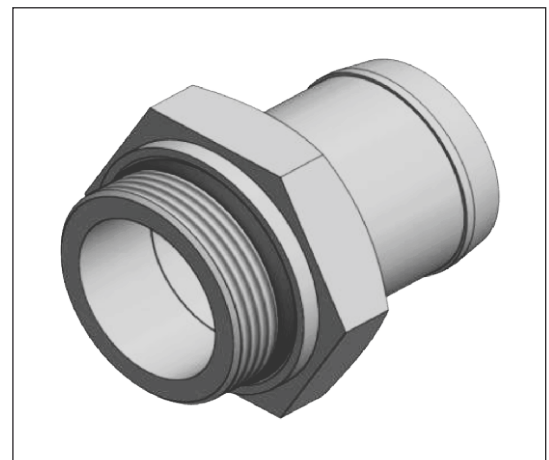
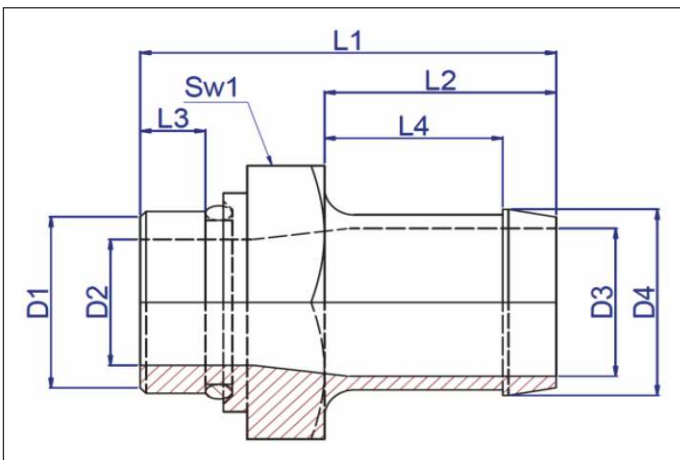
STRAIGHT HOSE PILLAR BSPOT (STEEL & BRASS)

Part no.	Description	Material	L1 (mm)	L2 (mm)	L3 (mm)	L4 (mm)	D1 (")	D2 (mm)	D3 (mm)	D4 (mm)	Sw1 (mm)	Weight (kg)
14500589	HOSE PILLAR-00 1"-LP20	STEEL	82	50	17	37	1	22	26	32	41	0.27
14799000	HOSE PILLAR-00 1"-LP28	BRASS	72	40	11	30	1	23	38	45.5	50	0.40
14799005	HOSE PILLAR-00 1¼"-LP28	BRASS	72	40	11	30	1¼	32	38	45.5	55	0.44
14799015	HOSE PILLAR-00 1½"-LP28	BRASS	72	40	11	30	1½	36	38	45.5	60	0.52
14535328	HOSE PILLAR-00-1¼"-LP32	BRASS	84	52	11	35	1¼	32	43	51.8	55	0.49
14500492	HOSE PILLAR-00-1½"-LP32	BRASS	84	52	11	35	1½	38	43	51.8	60	0.59



STRAIGHT HOSE PILLAR BSPOT (ALUMINIUM)

Part no.	Description	L1 (mm)	L2 (mm)	L3 (mm)	L4 (mm)	D1 (")	D2 (mm)	D3 (mm)	D4 (mm)	Sw1 (mm)	Weight (kg)
14500587A	HOSE PILLAR LP20-00-1" ALU	70	39	11	30	1	23	27	34	50	0.13
14500585A	HOSE PILLAR LP20-00-1¼" ALU	70	39	11	30	1¼	27	27	34	55	0.15
14799000A	HOSE PILLAR LP28-00-1" ALU	72	40	11	30	1	23	38	45.5	50	0.13
14799005A	HOSE PILLAR LP28-00-1¼" ALU	72	40	11	30	1¼	32	38	45.5	55	0.14
14799015A	HOSE PILLAR LP28-00-1½" ALU	72	40	11	30	1½	36	38	45.5	60	0.17



O-RING FOR STRAIGHT ADAPTORS

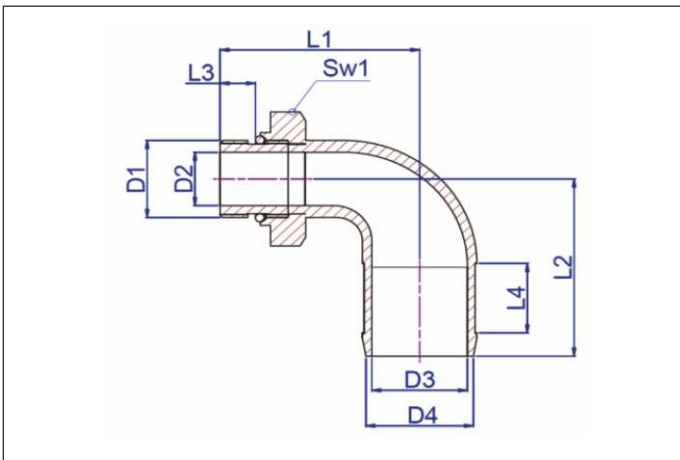
Part no.	Description
01226165	O-RING 1"-3.53MM 50 SHORE
01226185	O-RING 1¼"-3.53MM 50 SHORE
01225650	O-RING 1½"-3.53MM 70 SHORE

90° HOSE PILLAR BSPOT (BRASS)

Part no.	Description	L1 (mm)	L2 (mm)	L3 (mm)	L4 (mm)	D1 (")	D2 (mm)	D3 (mm)	D4 (mm)	Sw1 (mm)	Weight (kg)
14799284	HOSE PILLAR 90 1/2" - LP20	65	65	11	30	1/2	13	27	30	40	0.35
14799028	HOSE PILLAR 90-1 1/4" - LP20 + NUT	70	71	11	25	1 1/4	32	27	32	55	0.61

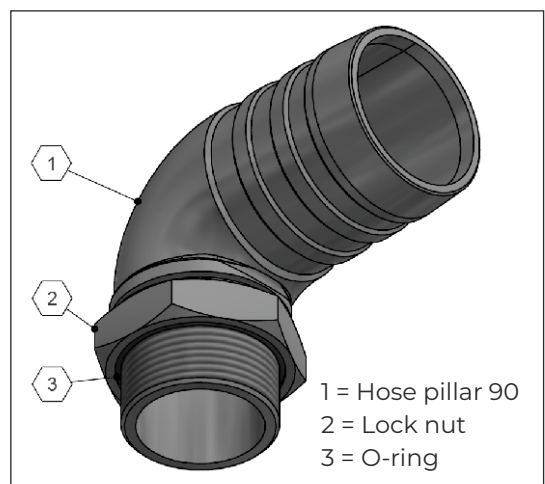
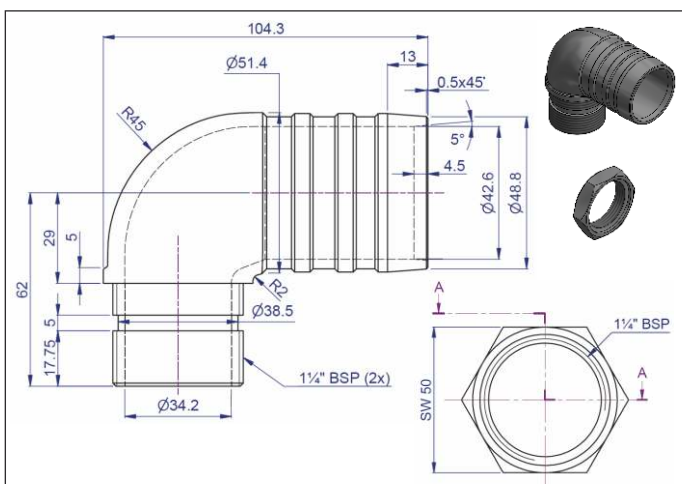
90° HOSE PILLAR BSPOT (ALU)

Part no.	Description	L1 (mm)	L2 (mm)	L3 (mm)	L4 (mm)	D1 (")	D2 (mm)	D3 (mm)	D4 (mm)	Sw1 (mm)	Weight (kg)
14799020A	HOSE PILLAR-90-1" - LP28 + NUT ALU	80	77	11	30	1	23	38	44	50	0.24
14799025A	HOSE PILLAR-90-1 1/4" - LP28 + NUT ALU	79	72	11	30	1 1/4	32	38	44	55	0.24
14799050A	HOSE PILLAR-90-1 1/2" - LP28 + NUT ALU	69	70	11	30	1 1/2	38	38	44	60	0.24



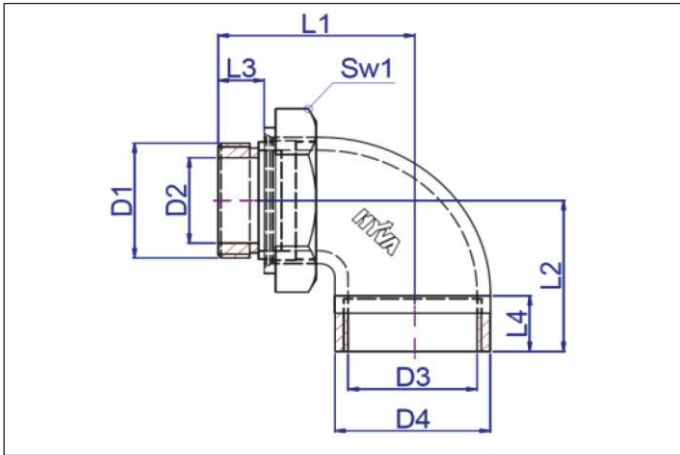
90° HOSE PILLAR BSPOT + PARTS (BRASS)

Part no.	Description	Weight (kg)
14535327	HOSE PILLAR LP32-90-1 1/4" BSPOT	0.62



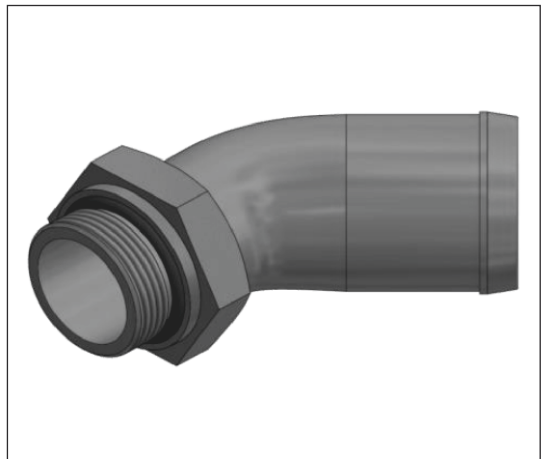
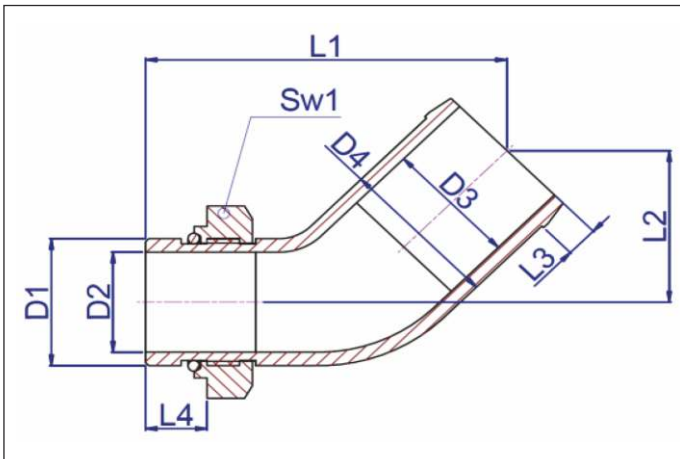
90° ADAPTOR BSPIT-BSPOT (ALU)

Part no.	Description	Material	L1 (mm)	L2 (mm)	L3 (mm)	L4 (mm)	D1 (")	D2 (mm)	D3 (")BSP)	D4 (mm)	Sw1 (mm)	Weight (kg)
14799035A	ADAPTOR-90-1½" BSPIT-1½" BSPIT + NUT	ALU	67	57	11	21	1½	38	1½	54	60	0.38



45° HOSE PILLAR BSPOT (BRASS)

Part no.	Description	L1 (mm)	L2 (mm)	L3 (mm)	L4 (mm)	D1 (")BSP)	D2 (mm)	D3 (mm)	D4 (mm)	Sw1 (mm)	Weight (kg)
14799043	HOSE PILLAR-45-1"-LP32 + NUT + O-RING	112	50	10	18	1	23	41	50	50	0.78
14799044	HOSE PILLAR-45-1¼"-LP32 + NUT + O-RING	112	50	10	18	1¼	33	41	50	55	0.81

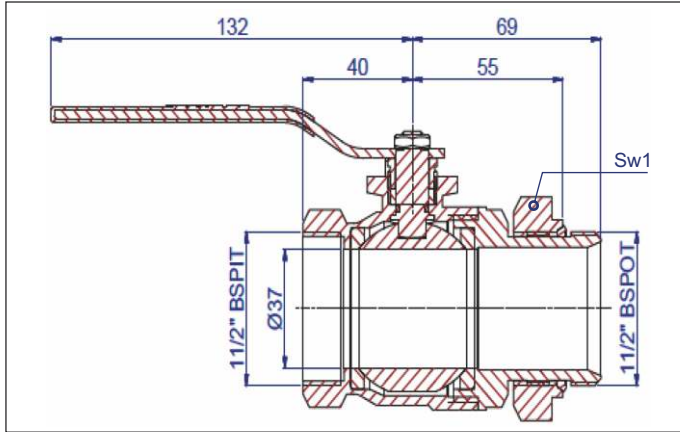


O-RING FOR 45° & 90° ADAPTORS

Part no.	Description
01226165	O-RING 1"-3.53MM 50 SHORE
01226185	O-RING 1¼"-3.53MM 50 SHORE
01225650	O-RING 1½"-3.53MM 70 SHORE

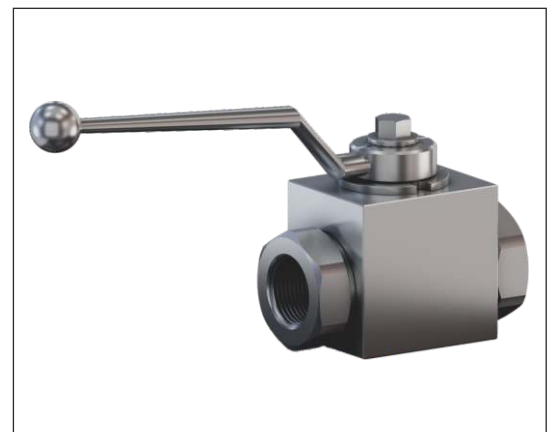
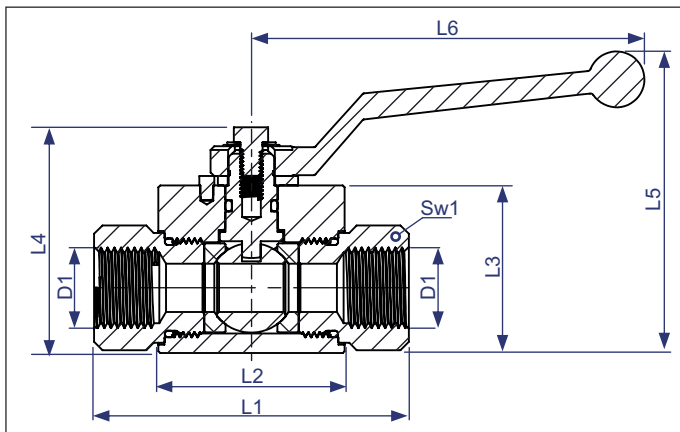
BALL VALVE BSPIT-BSPOT

Part no.	Description	Sw1 (mm)	Weight (kg)
14780981	BALL VALVE 1½" BSPOT + NUT - 1½" BSPIT	60	1.20



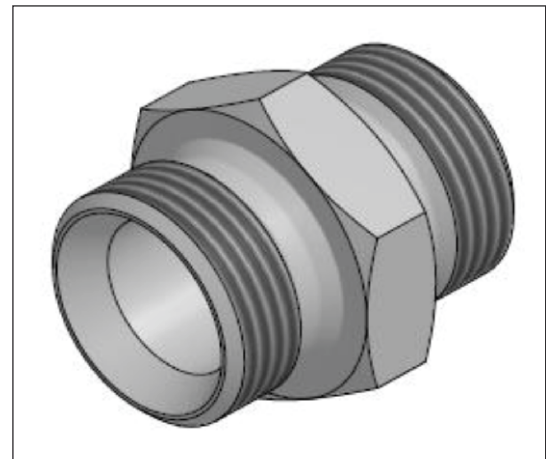
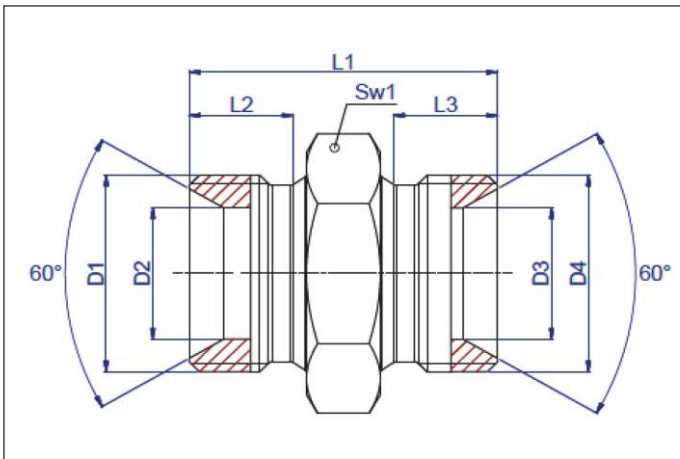
BALL VALVE BSPIT-BSPIT

Part no.	Description	L1 (mm)	L2 (mm)	L3 (mm)	L4 (mm)	L5 (mm)	L6 (mm)	D1 (")	Sw1 (mm)	Weight (kg)
14780983	BALL VALVE ½" BSPIT	84.5	50	45	55.5	81	105.5	½	35	0.71
14780984	BALL VALVE ¾" BSPIT	93	60	58	73	108	159.5	¾	46	1.52



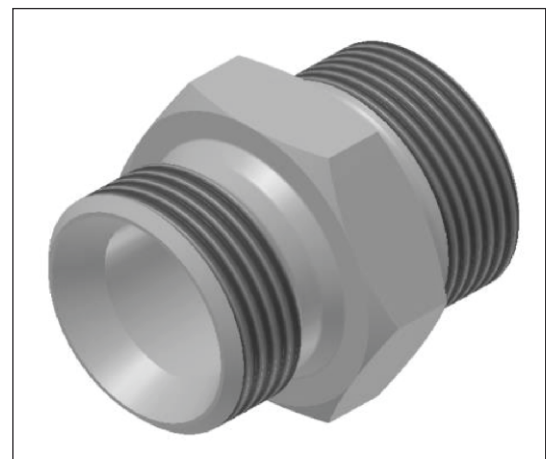
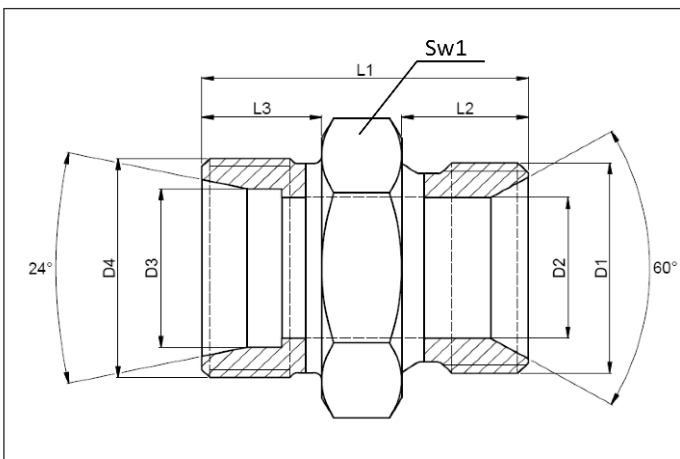
STRAIGHT ADAPTOR BSPOTC

Part no.	Description	L1 (mm)	L2 (mm)	L3 (mm)	D1 (")	D2 (mm)	D3 (mm)	D4 (")	Sw1 (mm)	Weight (kg)
01317690	ADAPTOR HP-00- $\frac{3}{8}$ "BSPOTC x $\frac{3}{8}$ "BSPOTC	34	11	11	$\frac{3}{8}$	9.5	9.5	$\frac{3}{8}$	22	0.04
01317805	ADAPTOR HP-00- $\frac{3}{8}$ "BSPOTC x $\frac{1}{2}$ "BSPOTC	38	12	14	$\frac{3}{8}$	7.9	11	$\frac{1}{2}$	27	0.07
01317700	ADAPTOR HP-00- $\frac{3}{8}$ "BSPOTC x $\frac{3}{4}$ "BSPOTC	40	12	16	$\frac{3}{8}$	7.9	16.5	$\frac{3}{4}$	32	0.06
01317704	ADAPTOR HP-00- $\frac{1}{4}$ "BSPOTC x $\frac{1}{2}$ "BSPOTC	35	13	14	$\frac{1}{4}$	7	11	$\frac{1}{2}$	27	0.06
01221838	ADAPTOR HP-00- $\frac{1}{2}$ "BSPOTC x $\frac{1}{2}$ "BSPOTC	40	14	14	$\frac{1}{2}$	11	11	$\frac{1}{2}$	27	0.07
01222105	ADAPTOR HP-00- $\frac{3}{4}$ "BSPOTC x $\frac{1}{4}$ "BSPOTC	41	13	16	$\frac{3}{4}$	7	16.5	$\frac{1}{4}$	32	0.09
01317714	ADAPTOR HP-00- $\frac{3}{4}$ "BSPOTC x $\frac{1}{2}$ "BSPOTC	42	14	16	$\frac{3}{4}$	11	16.5	$\frac{1}{2}$	32	0.10
01222661	ADAPTOR HP-00- $\frac{3}{4}$ "BSPOTC x $\frac{3}{4}$ "BSPOTC	44	16	16	$\frac{3}{4}$	16.5	16.5	$\frac{3}{4}$	32	0.12
14799080	ADAPTOR HP-00-1"BSPOTC x $\frac{3}{4}$ "BSPOTC	47	16	19	$\frac{3}{4}$	16.5	22	1	41	0.17
01317959	ADAPTOR HP-00-1 $\frac{1}{4}$ "BSPOTC x $\frac{3}{4}$ "BSPOTC	48	16	20	1 $\frac{1}{4}$	16.5	28.5	$\frac{3}{4}$	50	0.28
01317933	ADAPTOR HP-00-1"BSPOTC x 1"BSPOTC	50	19	19	1	22	22	1	41	0.18
01222107	ADAPTOR HP-00-1"BSPOTC x 1 $\frac{1}{4}$ "BSPOTC	51	19	20	1	22	28.5	1 $\frac{1}{4}$	50	0.28
14799093	ADAPTOR HP-00-1 $\frac{1}{4}$ "BSPOTC x 1 $\frac{1}{4}$ "BSPOTC	52	20	20	1 $\frac{1}{4}$	28.5	28.5	1 $\frac{1}{4}$	50	0.28



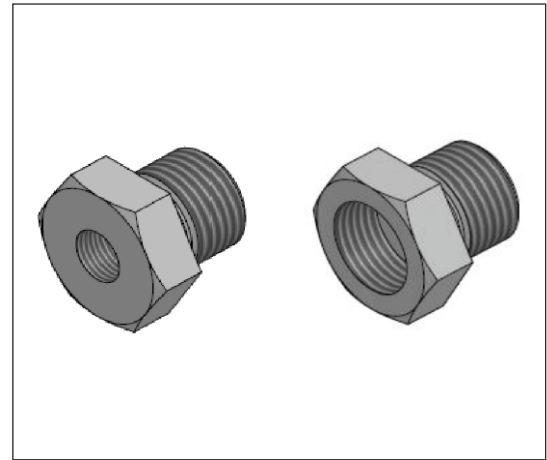
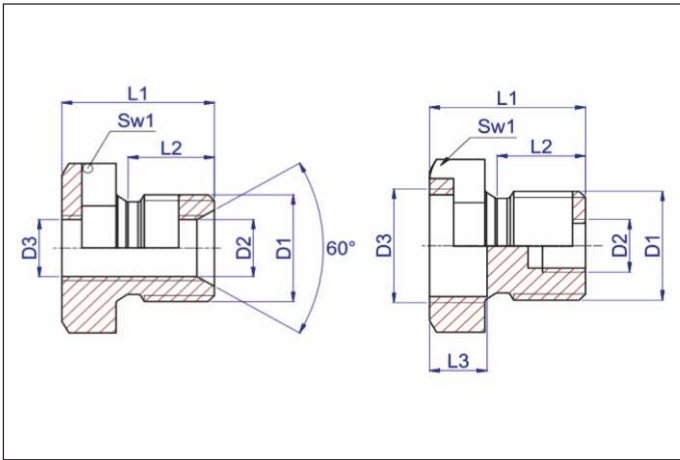
M. THREAD BSPOT

Part no.	Description	L1 (mm)	L2 (mm)	L3 (mm)	D1 (")	D2 (mm)	D3 (mm)	D4 (mm)	Sw1 (mm)	Weight (kg)
01317920	ADAPTOR HP-00-M36x2- $\frac{3}{4}$ "BSPOT	46	16	18	$\frac{3}{4}$	17	25	M36	41	0.22
01317921	ADAPTOR HP-00-M36x2-1"BSPOT	49	19	18	1	22	25	M36	41	0.22
01317922	ADAPTOR HP-00-M36x2-1 $\frac{1}{4}$ "BSPOT	50	20	18	1 $\frac{1}{4}$	29	25	M36	50	0.31



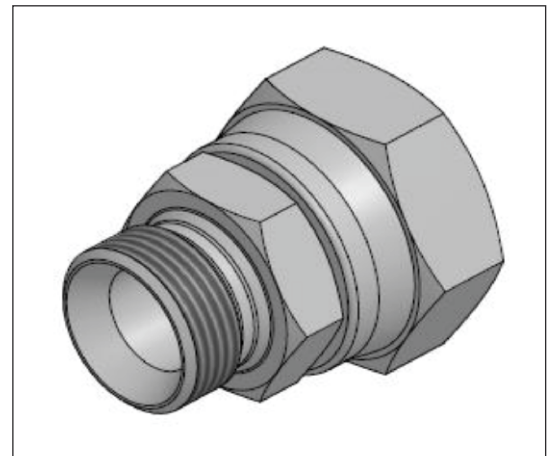
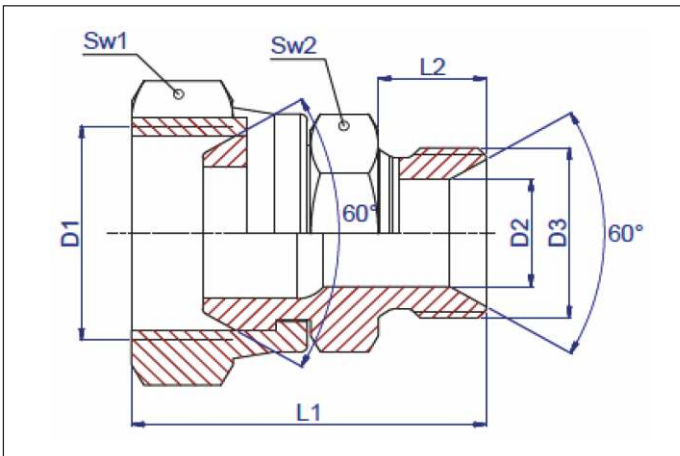
STRAIGHT ADAPTOR BSPOT-BSPIT

Part no.	Description	L1 (mm)	L2 (mm)	L3 (mm)	D1 (")	D2 (mm)	D3 (")	Sw1 (mm)	Weight (kg)
14958010	ADAPTOR HP-00-½"BSPOT-¼"BSPIT	24	14	-	½	12	¼	27	0.06
14958000	ADAPTOR HP-00-¾"BSPOT-⅜"BSPIT	26	15	-	¾	15	⅜	32	0.08
14958112	ADAPTOR HP-00-¾"BSPOT-½"BSPIT	26	15	-	¾	16	½	32	0.15
14958095	ADAPTOR HP-00-1"BSPOT-¼"BSPIT	29	18	-	1	11.5	¼	41	0.19
14958100	ADAPTOR HP-00-1"BSPOT-½"BSPIT	29	18	-	1	19	½	41	0.15
14958102	ADAPTOR HP-00-1"BSPOT-¾"BSPIT	49	19	21	1	30	¾	41	0.28
14958120	ADAPTOR HP-00-1¼"BSPOT-1"BSPIT	52	20	24	1¼	25	1	50	0.45



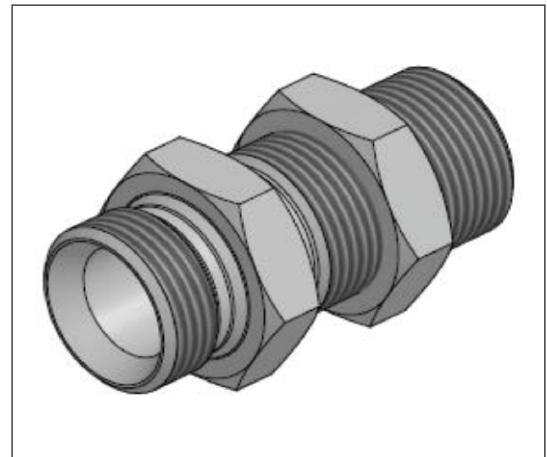
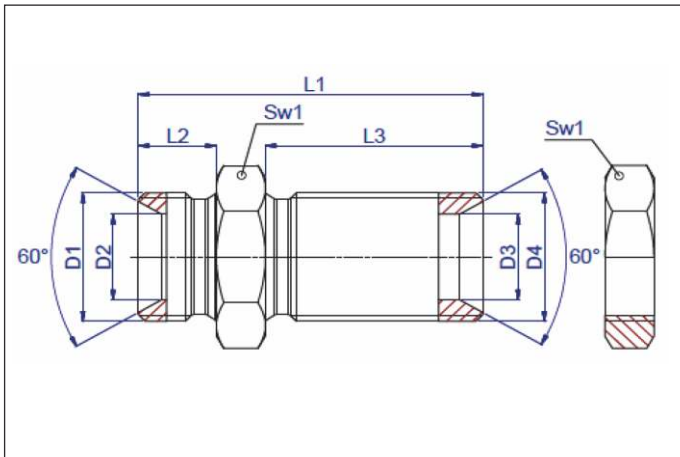
STRAIGHT SWIVEL ADAPTOR BSPIT-BSPOT

Part no.	Description	L1 (mm)	L2 (mm)	D1 (")	D2 (mm)	D3 (")	Sw1 (mm)	Sw2 (mm)	Weight (kg)
01223648	ADAPTOR HP 00-SW-½"BSPIT-⅜"BSPOTC	46	11	½	9.5	⅜	27	22	0.10
01223650	ADAPTOR HP 00-SW-¾"BSPIT-½"BSPOTC	49	15	¾	11	½	32	27	0.15
01222909	ADAPTOR HP 00-SW-¾"BSPIT-¾"BSPOT	51	17	¾	17	¾	32	32	0.17
01223660	ADAPTOR HP 00-SW-¾"BSPITC-1"BSPOTC	54	17	¾	17	1	32	41	0.25
01223675	ADAPTOR HP 00-SW-1"BSPIT-½"BSPOTC	60	18	1	11	½	41	27	0.20
01223677	ADAPTOR HP 00-SW-1"BSPIT-¾"BSPOTC	53	18	1	17	¾	41	32	0.22
14799108	ADAPTOR HP 00-SW-1"BSPIT-1"BSPOT	56	19	1	22	1	41	41	0.26



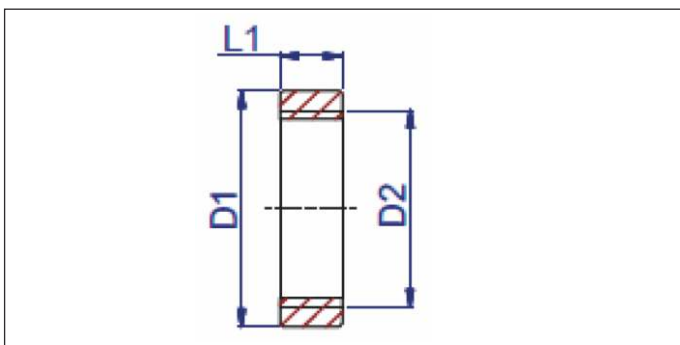
STRAIGHT BULKHEAD ADAPTOR BSPOTC-BSPOTC

Part no.	Description	L1 (mm)	L2 (mm)	L3 (mm)	D1 (")	D2 (mm)	D3 (mm)	D4 (")	Sw1 (mm)	Weight (kg)
14950180	ADAPTOR BULKHEAD-00-3/4"BSPOTC x 3/4"BSPOTC	65	16	38	3/4	16	16	3/4	32	0.18
01317946	ADAPTOR BULKHEAD-00-1"BSPOTC x 1"BSPOTC	84	19	53	1	22	22	1	41	0.35
14950182	ADAPTOR BULKHEAD-00-1 1/4"BSPOTC x 1 1/4"BSPOTC	74	20	40	1 1/4	29	29	1 1/4	52	0.47



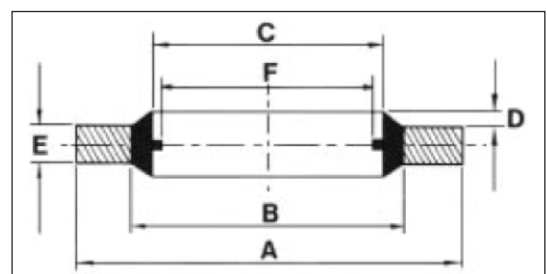
TREADED BUSH BSPIT

Part no.	Description	L1 (mm)	D1 (mm)	D2 (")	Weight (kg)
09223010	THREADED BUSH 3/4"BSPIT L=37MM	37	32	3/4	0.10
09223002	THREADED BUSH 1"BSPIT L=70MM	70	45	1	0.40
09223003	THREADED BUSH 1"BSPIT L=25MM	25	45	1	0.15



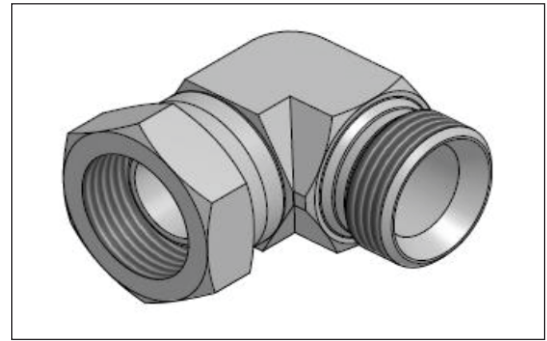
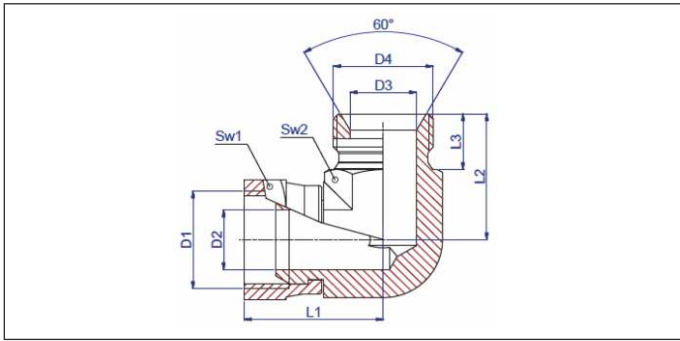
BONDED SEAL

Part no.	Description	A (mm)	B (mm)	C (mm)	D (mm)	E (mm)	F (mm)
01206801	BONDED SEAL 1/8"	15.88	11.84	10.37	0.35	2.03	8.56
01206813	BONDED SEAL 1/4"	20.57	15.21	13.74			11.45
01206825	BONDED SEAL 3/8"	23.80	18.75	17.28			14.96
01206837	BONDED SEAL 1/2"	28.58	23.01	21.54	0.51	2.34	18.64
01206850	BONDED SEAL 3/4"	34.93	28.53	27.05			24.13
01313848	BONDED SEAL 1"	42.80	36.88	33.89	3.25	3.51	30.30
01206874	BONDED SEAL 1 1/4"	52.38	45.93	42.93			38.96
01206898	BONDED SEAL 1 1/2"	58.60	51.39	48.44			44.86



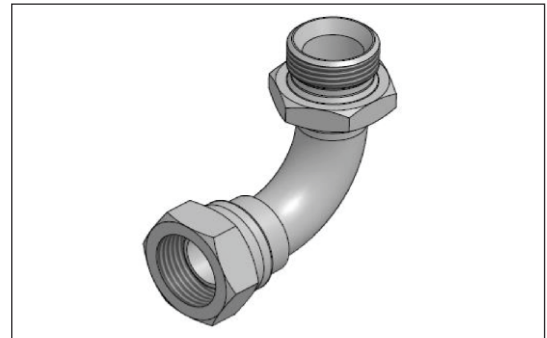
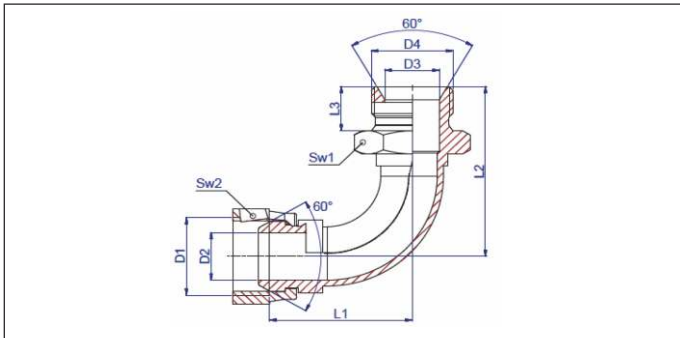
90° SWIVEL ADAPTOR BSPIT-BSPOT

Part no.	Description	L1 (mm)	L2 (mm)	L3 (mm)	D1 (")	D2 (mm)	D3 (mm)	D4 (")	Sw1 (mm)	Sw2 (mm)	Weight (kg)
01317971	ADAPTOR HP-90-SW-1/2"BSPIT-1/2"BSPOT	39	30.5	14	1/2	10	11	1/2	27	24	0.17
01317969	ADAPTOR HP-90-SW-3/4"BSPIT-3/4"BSPOT	41	37	16	3/4	15.5	17	3/4	32	27	0.22
14799054	ADAPTOR HP-90-SW-1"BSPIT-3/4"BSPOT	45	40	17	1	21.5	17	3/4	41	41	0.45
01317982	ADAPTOR HP-90-SW-1"BSPIT-1"BSPOT	46.5	43	19	1	20.5	22	1	41	36	0.45



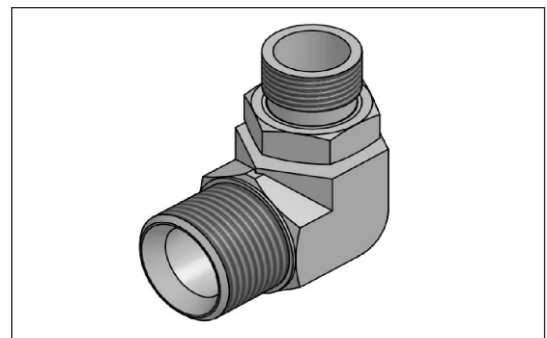
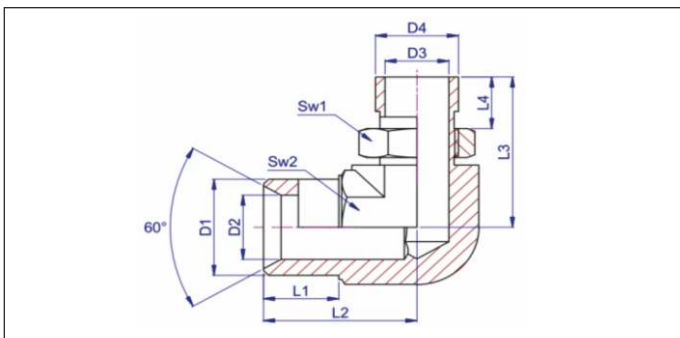
ELBOW SWIVEL ADAPTOR BSPIT-BSPOT

Part no.	Description	L1 (mm)	L2 (mm)	L3 (mm)	D1 (")	D2 (mm)	D3 (mm)	D4 (")	Sw1 (mm)	Sw2 (mm)	Weight (kg)
01317962	ADAPTOR HP-90-SW-3/8"BSPIT-3/8"BSPOTC-EL	35	58	13	3/8	8	9	3/8	22	22	0.09
01317970	ADAPTOR HP-90-SW-1/2"BSPIT-1/2"BSPOT-EL	52	50	14	1/2	10	11	1/2	27	27	0.15
01317973	ADAPTOR HP-90-SW-3/4"BSPIT-3/4"BSPOT-EL	57	65	16	3/4	15.5	17	3/4	32	32	0.24
01317974	ADAPTOR HP-90-SW-1"BSPIT-1"BSPOT-EL	73	73	19	1	20.5	22	1	41	41	0.41
01317975	ADAPTOR HP-90-SW-1 1/4"BSPIT-1 1/4"BSPOT-EL	81	76	20	1 1/4	27.5	28.5	1 1/4	50	50	0.55



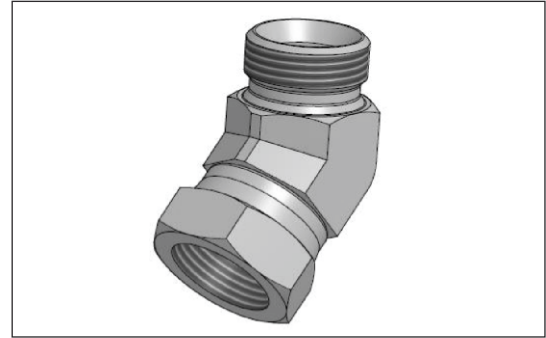
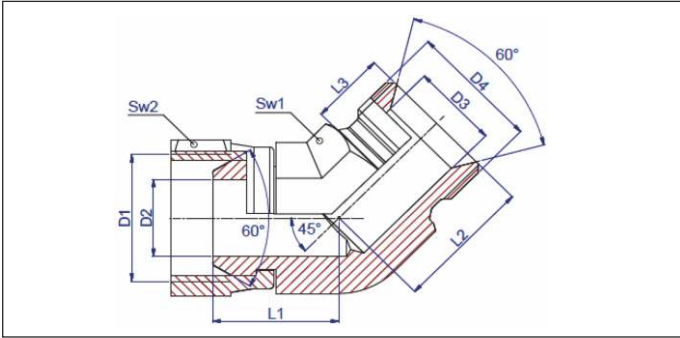
90° SWIVEL ADAPTOR BSPOTC-BSPOTF

Part no.	Description	L1 (mm)	L2 (mm)	L3 (mm)	L4 (mm)	D1 (")	D2 (mm)	D3 (mm)	D4 (")	Sw1 (mm)	Sw2 (mm)	Weight (kg)
01317997	ADAPTOR HP-90-3/4"BSPOTCx3/4"BSPOTF+NUT	20	40	50	16	3/4	16	16	3/4	32	27	0.31
01317998	ADAPTOR HP-90-1"BSPOTCx1"BSPOTF+NUT	24	45	52	19	1	21	21	1	41	36	0.46



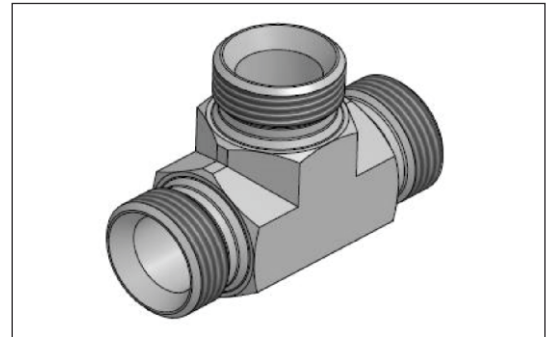
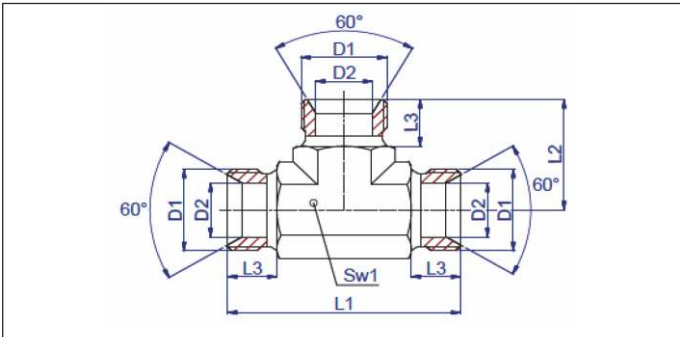
45° SWIVEL ADAPTOR BSPIT-BSPOT

Part no.	Description	L1 (mm)	L2 (mm)	L3 (mm)	D1 (")	D2 (mm)	D3 (mm)	D4 (")	Sw1 (mm)	Sw2 (mm)	Weight (kg)
01318410	ADAPTOR HP-45-SW-3/4"BSPIT-3/4"BSPOT	39	32	16	3/4	15.5	17	3/4	32	27	0.11
01317815	ADAPTOR HP-45-SW-1"BSPIT-1"BSPOT	42.5	35	19	1	20.5	22	1	41	36	0.38



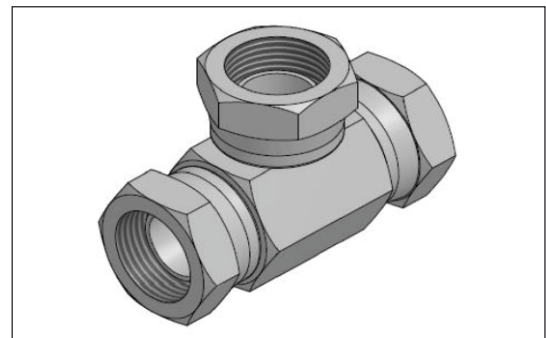
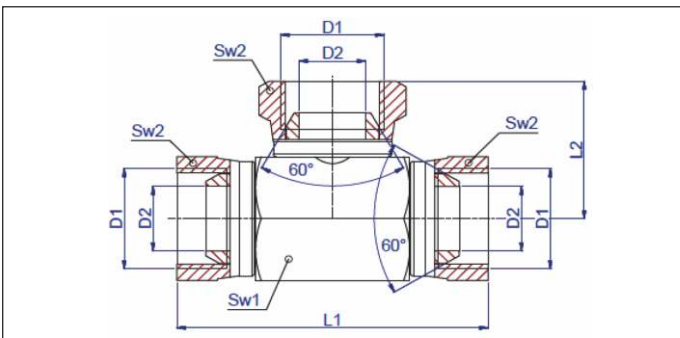
T-PIECE BSPOT

Part no.	Description	L1 (mm)	L2 (mm)	L3 (mm)	D1 (")	D2 (mm)	Sw1 (mm)	Weight (kg)
01318292	ADAPTOR HP-T-3/8"BSPOTC (3X)	46	28	11	3/8	8	17	0.07
01318295	ADAPTOR HP-T-1/2"BSPOTC (3X)	68	34	14	1/2	11	22	0.17
01318300	ADAPTOR HP-T-3/4"BSPOTC (3X)	80	40	16	3/4	16.5	27	0.24
01318310	ADAPTOR HP-T-1"BSPOTC (3X)	84	42	19	1	22	36	0.42
01318315	ADAPTOR HP-T-1 1/4"BSPOT (3X)	104	52	20	1 1/4	28.5	50	0.55



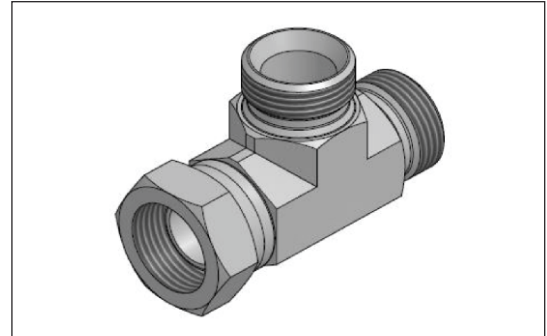
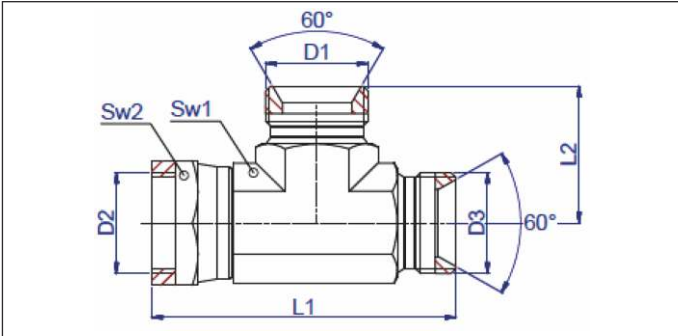
T-PIECE BSPIT

Part no.	Description	L1 (mm)	L2 (mm)	D1 (")	D2 (mm)	Sw1 (mm)	Sw2 (mm)	Weight (kg)
01318293	ADAPTOR HP-T-SW-3/8"BSPITC (3X)	66	33	3/8	8	22	19	0.11
01318297	ADAPTOR HP-T-SW-1/2"BSPITC (3X)	80	40	1/2	11	27	22	0.26
01318240	ADAPTOR HP-T-SW-3/4"BSPIT (3X)	80	40	3/4	15.5	32	27	0.38
01318251	ADAPTOR HP-T-SW-1"BSPIT (3X)	100	45	1	21.5	41	36	0.78



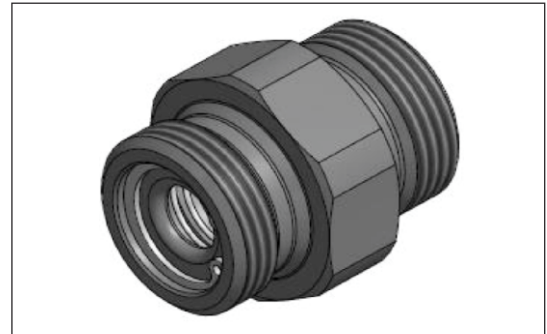
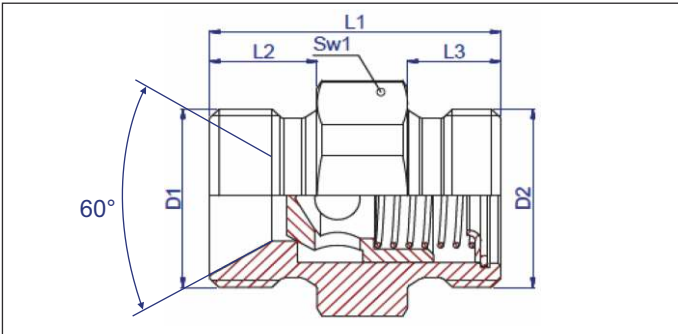
T-PIECE SWIVEL BSPIT-BSPOT

Part no.	Description	L1 (mm)	L2 (mm)	D1 (")	D2 (")	D3 (")	Sw1 (mm)	Sw2 (mm)	Weight (kg)
01318303	ADAPTOR HP-T-SW-3/4"BSPOT-BSPIT-BSPOT	88	40	3/4 BSPOT	3/4 BSPIT	3/4 BSPOT	32	27	0.34
01318305	ADAPTOR HP-T-SW-3/4"BSPOT-BSPOT-BSPIT	92	40	3/4 BSPOT	3/4 BSPOT	3/4 BSPIT	32	27	0.34
01318195	ADAPTOR HP-T-SW-1"BSPIT-BSPOT-BSPOT	90	40	1 BSPIT	1 BSPOT	1 BSPOT	41	36	0.59
01318253	ADAPTOR HP-T-SW-1"BSPOT-BSPIT-BSPOT	94	44	1 BSPOT	1 BSPIT	1 BSPOT	41	36	0.60
01318307	ADAPTOR HP-T-SW-1"BSPOT-BSPIT-BSPIT	98	40	1 BSPOT	1 BSPIT	1 BSPIT	41	36	0.60



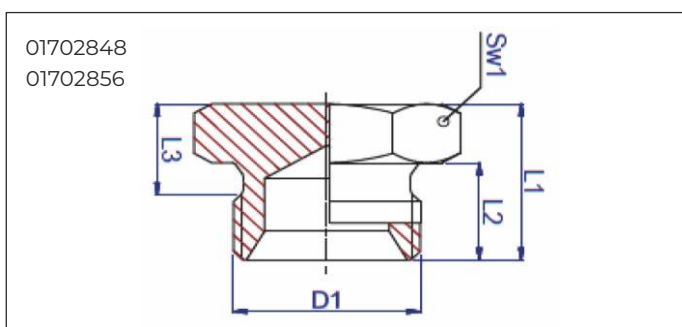
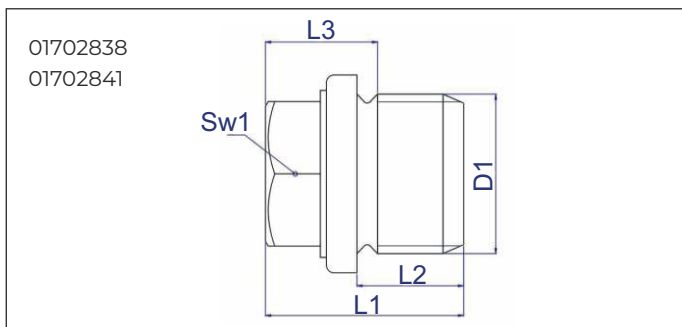
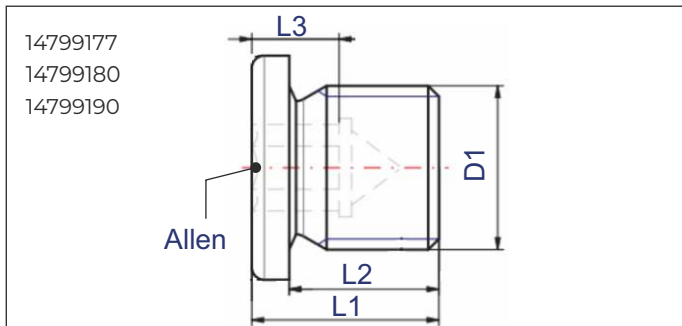
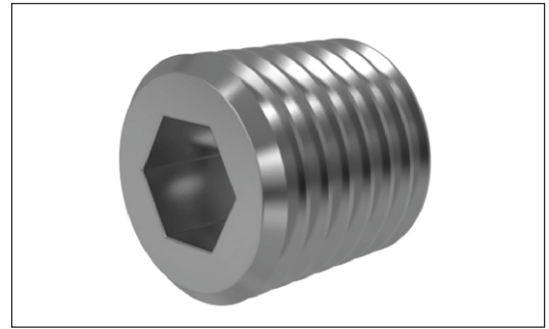
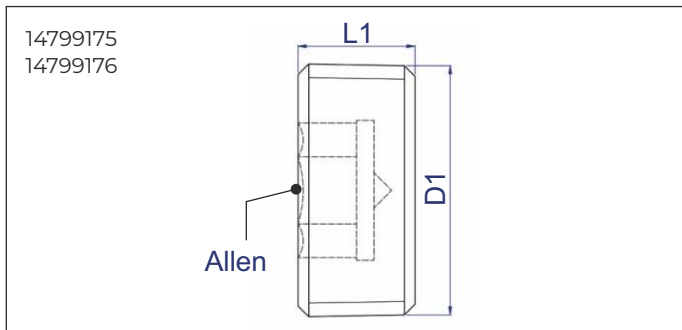
NON-RETURN VALVE BSPOT

Part no.	Description	L1 (mm)	L2 (mm)	L3 (mm)	D1 (")	D2 (")	Sw1 (mm)	Weight (kg)
14739975A	NON RETURN VALVE 1"BSPOTx1"BSPOTC	51.5	19	16.5	1	1	41	0.25



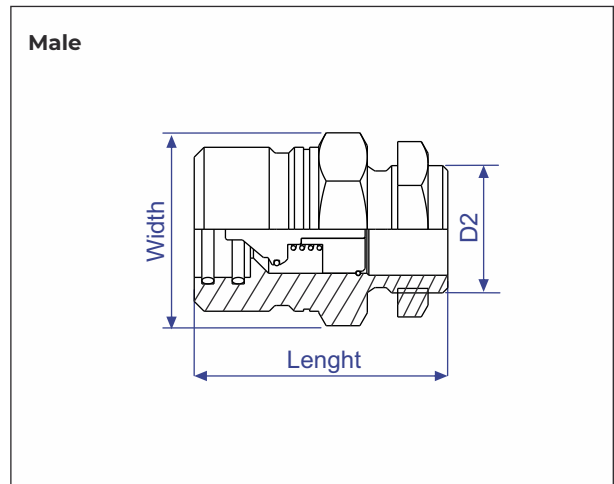
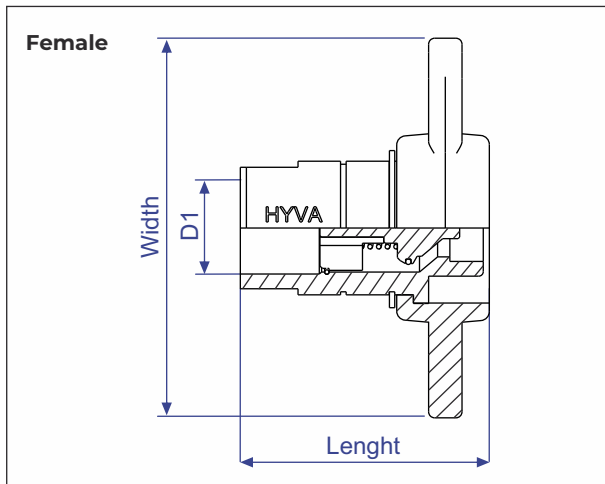
PLUG BSPOT

Part no.	Description	L1 (mm)	L2 (mm)	L3 (mm)	D1 (")	Sw1 (mm)	Allen (mm)	Weight (kg)
14799176	¼"BSPOT-ALLEN PLUG DIN906	10	-	-	¼	-	7	0.01
14799175	½"BSPOT-ALLEN PLUG DIN906	10	-	-	½	-	10	0.02
14799177	ALLEN PLUG ¼"BSPOT DIN908	15	12	7	¼	-	6	0.015
14799180	ALLEN PLUG ½"BSPOT DIN908	18	13	8	½	-	10	0.04
14799190	ALLEN PLUG 1"BSPOT DIN908	31	16	9	1	-	17	0.12
01702838	PLUG ½"BSPOT DIN910	27	12	17	½	27	-	0.06
01702841	PLUG ¾"BSPOT DIN910 ZP	28	18	15	¾	32	-	0.12
01702848	PLUG 1"BSPOT	30	19	16	1	41	-	0.18
01702856	PLUG 1¼"BSPOTC (WITH 60° INTERNAL CONE)	32	20	17	1¼	20	-	0.30



QUICK RELEASE COUPLINGS WITH SWIVEL CONNECTION

Part no.	Description	D1 BSPIT	D2 BSPOT	Pressure (bar)	Flow (L/min.)	Weight (kg)	Length (mm)	Width (mm)	Lock nut included
01332600	QR COUPLING 3/4" BSPIT-FEMALE-SW-280B-160L	3/4"	-	280	160	0.8	76.5	125	-
01332605	QR COUPLING 3/4" BSPIT-MALE-SW-280B-160L	3/4"	1 1/4"	280	160	0.7	78.5	51	1 1/4" BSPIT
01332650	QR COUPLING 1" BSP0T-FEMALE-SW-280B-160L	-	1"	280	160	0.7	76.5	125	-
01332655	QR COUPLING 1" BSP0T-MALE-SW-280B-160L	-	1"	280	160	0.5	79.0	51	-
01332625	QR COUPLING 1" BSPIT-FEMALE-SW-250B-190L	1"	-	250	190	0.8	82.0	125	-
01332630	QR COUPLING 1" BSPIT-MALE-SW-250B-190L	1"	1 1/4"	250	190	0.9	83.5	60	1 1/4" BSPIT

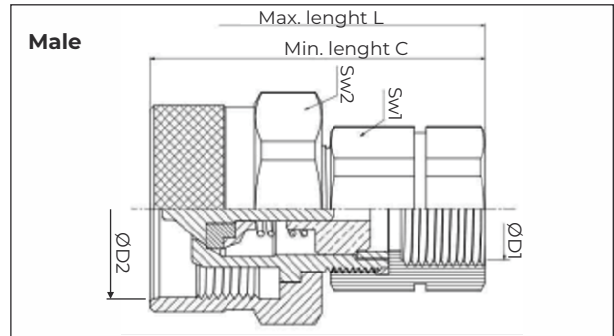
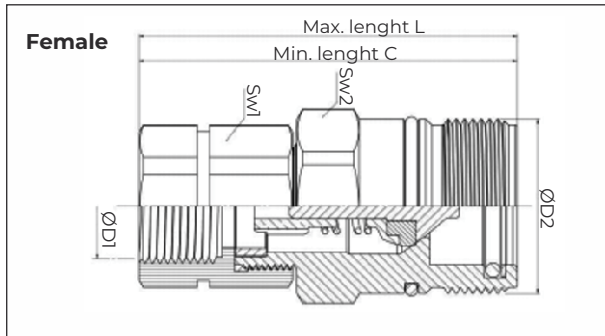


ORDER POSSIBILITIES

Kit no.	Description	Including		Option A	Option B	Option C	Option D
		Coupling	Dust cover	3/4"	3/4" - 90°	1"	1" - 90°
HB120	QR COUPLING 3/4" BSPIT-FEMALE-SW-280B-160L	01332600	01332615	NK1212R	NK1212H	NK1216R	NK1216H
HB100	QR COUPLING 3/4" BSPIT-MALE-SW-280B-160L	01332605	01332610	NK1212R	NK1212H	NK1216R	NK1216H
HB220	QR COUPLING 1" BSPIT-FEMALE-SW-250B-190L	01332625	01332640	NK1612R	NK1612H	NK1616R	NK1612H
HB200	QR COUPLING 1" BSPIT-MALE-SW-250B-190L	01332630	01332635	NK1612R	NK1612H	NK1616R	NK1616H

QUICK RELEASE COUPLINGS WITH SWIVEL CONNECTION

Part no.	Description	ØD1 BSPIT	ØD2	Pressure (bar)	Flow (L/min.)	Weight (kg)	Min. length C (mm)	Max. length L (mm)	Sw1 (mm)	Sw2 (mm)
14785360	QR COUPLING SCREW 3/8" BI FEMALE	3/8"	Rd 28x2	450	32	0.15	64	98	22	24
14785350	QR COUPLING SCREW 3/8" BI MALE	3/8"	34MM	450	32	0.15	61.20	98	22	30



QUICK RELEASE COUPLINGS WITH PUSH-PULL CONNECTION

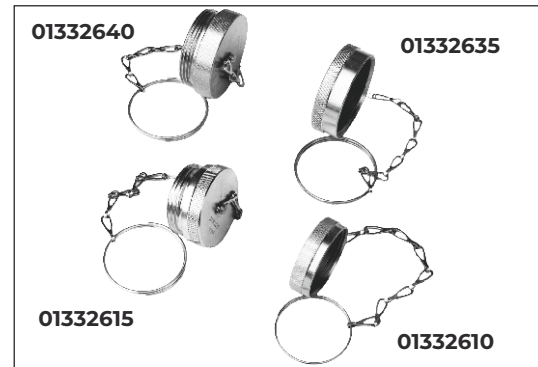
Part no.	Description	BSPIT	Pressure (bar)	Flow (L/min.)	Length (mm)	Width (mm)	SW (mm)	Dust cover not included
14785110*	QR COUPLING 1/2" BSPIT-FEMALE-PP-300B-045L	1/2"	300	45	66	38	27	14785334
14785115*	QR COUPLING 1/2" BSPIT-MALE-PP-300B-045L	1/2"	300	45	44	27	27	14785336
14785262*	QR COUPLING 3/4" BSPIT-FEMALE-PP-250B-175L	3/4"	250	175	82	48	38	14785286
14785250*	QR COUPLING 3/4" BSPIT-MALE-PP-250B-175L	3/4"	250	175	56	36	36	14785274
14785316	QR COUPLING 1" BSPIT-FEMALE-PP-230B-300L	1"	230	300	98	52	41	14785330
14785304	QR COUPLING 1" BSPIT-MALE-PP-230B-300L	1"	230	300	66	41	41	14785328

* Produced according to ISO 7241-A



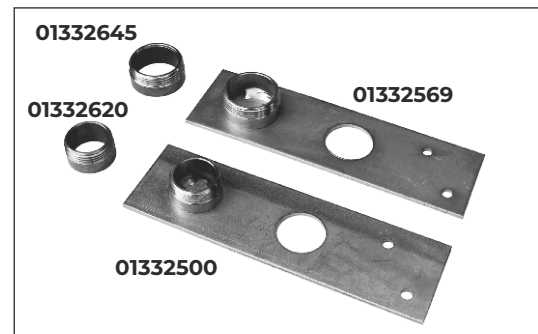
DUST COVERS FOR SWIVEL QR COUPLINGS

Part no.	Description
01332610	DUST COVER FOR MALE ¾" QR COUPLING SW (01332605)
01332615	DUST COVER FOR FEMALE ¾" QR COUPLING SW (01332600)
01332640	DUST COVER FOR MALE 1" QR COUPLING SW (01332625 / 01332650)
01362635	DUST COVER FOR FEMALE 1" QR COUPLING SW (01332630 / 01332655)



MOUNTING PLATE AND WELDING SOCKET FOR SWIVEL QR COUPLINGS

Part no.	Description
01332500	MOUNTING PLATE FOR ¾" QR COUPLING SW (01332600)
01332569	MOUNTING PLATE FOR 1" QR COUPLING SW (01332650)
01332620	WELDING SOCKET FOR ¾" QR COUPLING SW (01332600)
01362645	WELDING SOCKET FOR 1" QR COUPLING SW (01332650)



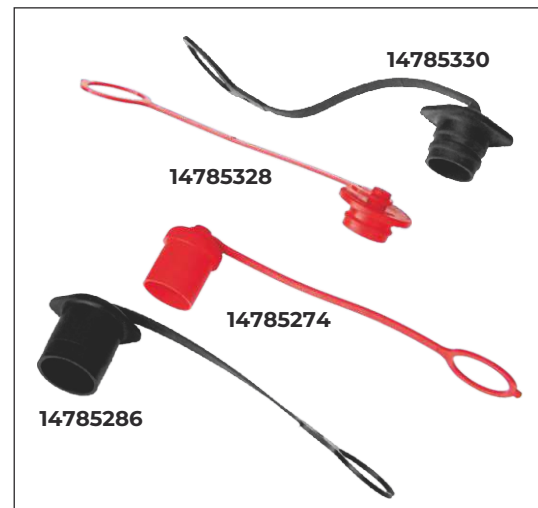
RETAINER FOR SWIVEL QR COUPLINGS

Part no.	Description
14785406	RETAINER 1½" BSP FOR QR COUPLING SW (01332600)
14785405	RETAINER 1½" BSP FOR QR COUPLING SW (01332650)



DUST COVERS FOR PUSH-PULL QR COUPLINGS

Part no.	Description
14785334	DUST COVER FOR FEMALE QR COUPLING PP (14785110)
14785336	DUST COVER FOR MALE QR COUPLING PP (14785115)
14785286	DUST COVER FOR FEMALE QR COUPLING PP (14785262)
14785274	DUST COVER FOR MALE QR COUPLING PP (14785250)
14785330	DUST COVER FOR FEMALE QR COUPLING PP (14785316)
14785328	DUST COVER FOR MALE QR COUPLING PP (14785304)



110 countries
+3,500 employees
20,000 customers
+30 subsidiaries
12 production facilities



Hyva is a leading provider of innovative and highly efficient transport solutions for commercial vehicles used in transport, construction, mining, materials handling and environmental service industries.

Founded in 1979 in the Netherlands, the company has a global presence with more than 30 wholly owned subsidiaries, extraordinary service coverage and 12 manufacturing facilities in Brazil, China, Europe and India.

For more information on Hyva, please visit www.hyva.com

or follow us on:



Hyva Holding B.V.
Antonie van Leeuwenhoekweg 37
2408 AK Alphen aan den Rijn
The Netherlands
Telephone: +31 (0)172 - 42 35 55
Telefax: +31 (0)172 - 42 08 80
info@hyva.com
www.hyva.com



DEALER STAMP