



COMPONENT CATALOG
OIL TANKS

INTRODUCTION.....	4
SIDE MOUNTED OIL TANKS	6
• SIDE MOUNTED ALPHA STEEL TANK - SINGLE/DOUBLE SUPPORT + SINGLE MOUNTING PLATE	6
• SIDE MOUNTED ALPHA ALU TANK - SINGLE SUPPORT + SINGLE MOUNTING PLATE	7
• SIDE MOUNTED ALPHA ALU TANK - DOUBLE SUPPORT + SINGLE MOUNTING PLATE	8
• SIDE MOUNTED ALPHA ALU TANK - SINGLE/DOUBLE SUPPORT + DOUBLE MOUNTING PLATE	9
• SM ALPHA ALU TANK - DOUBLE SUPPORT + DOUBLE MOUNTING PLATE + SIDE SUCTION.....	10
• SM ALPHA ALU HIGH VOLUME TANK - DOUBLE SUPPORT + DOUBLE RETURN FILTER.....	11
• SMALL SIDE MOUNTED STEEL OIL TANK	12
• RELATED PARTS FOR SIDE MOUNTED OIL TANKS	12
• TANK RETURN FILTER PLATE.....	12
• ADAPTOR KIT 90 DEGREES FOR FILTER PLATE.....	12
• SM-TANK MOUNTING KITS.....	13
• SINGLE SUPPORT MOUNTING KIT	13
• DOUBLE SUPPORT MOUNTING KIT FOR STEEL TANKS	13
• DOUBLE SUPPORT MOUNTING KIT FOR ALU TANKS.....	14
• SM-TANK MOUNTING & SPARE PARTS.....	15
• SPACERS.....	15
• STRENGTHENING RING.....	15
• WASHER KIT.....	15
• SPY EYE.....	15
• SPY EYE BLIND PLUG + FLAT SEAL GASKET.....	15
• COVER PLATE FOR MOUNTING FLANGE	16
CRADLE MOUNTED OIL TANKS.....	17
• CRADLE MOUNTED TANKS (STEEL).....	17
• CRADLE MOUNTED TANK KITS (STEEL+ALU).....	17
• CM-TANK MOUNTING KITS.....	18
• MOUNTING KIT FOR CM-TANKS IN CRADLE 286 MM.....	18
• MOUNTING KITS FOR CM-TANKS ON SUPPORT FOR IN CRADLE 368 MM	18
• CM-TANK MOUNTING & SPARE PARTS.....	18
• CRADLE	19
• SPY EYE	19
TOP MOUNTED OIL TANKS.....	20
• TOP MOUNTED OIL TANKS (STEEL+ALU).....	20
• TM-TANK MOUNTING & SPARE PARTS.....	21
• MOUNTING KIT FOR TOP MOUNTED TANKS	21
• SPY EYE.....	21
REAR MOUNTED OIL TANKS.....	22
• REAR MOUNTED TANKS KITS.....	22
• LOW LONG REAR MOUNTED ALUMINIUM TANK (LLRM).....	22
• RM-TANK MOUNTING & SPARE PARTS	23
• FULL MOUNTING KIT FOR 14015050 & 14015070 RM-TANK.....	23
• SPARE PARTS RM-TANK.....	23
• FULL EASY MOUNTING KIT FOR 14015050 & 14015070 RM-TANK	23
• SPARE PARTS FOR FULL EASY MOUNTING KIT	23
• FULL MOUNTING KIT FOR LLRM TANK	24
• SPARE PARTS FOR FULL MOUNTING KIT LLRM TANK.....	24
AIR BREATHER FILTER & SPARE PARTS FOR AIR BREATHER FILTER.....	25
• AIR BREATHER.....	25
• SPARE PARTS AIR BREATHER FILTER.....	25
SPARE PARTS FOR MOUNTING AIR BREATHER ON TANK.....	26
• EXTENSION TUBE FOR AIR BREATHER	26
SPARE PARTS FOR MOUNTING AIR BREATHER AND RETURN LINE FILTER ON TANK	27
• STEEL MOUNTING FLANGE FOR AIR BREATHER FILTER	27
• TOP MOUNTING PLATE FOR AIR BREATHER FILTER + RETURN LINE FILTER.....	27
TANK RETURN LINE FILTERS.....	28
• TANK RETURN FILTER KITS - HOUSE VERSION & PLATE VERSION	28
• TANK RETURN FILTER SPARE PARTS.....	30
• SPARE PARTS - HOUSE VERSION.....	30
• SPARE PARTS - PLATE VERSION	30
• ADAPTOR KIT 90 DEGREES FOR PLATE FILTER.....	30
• STRENGTHENING RING	30

SUCTION PARTS

ALL SUCTION PARTS RELATED TO THE OIL TANKS ARE AVAILABLE IN CATALOG PART: PDCL-0007 (E) HOSES AND ADAPTERS.

Hyva hydraulic oil tanks

Hyva offers a complete range of oil tanks manufactured from the highest quality materials – steel and aluminum. We offer several mounting possibilities - behind the cabin, on the side of vehicle, in the cylinder cradle and others. This allows to compose a variety of hydraulic systems to match all truck and application types. Hyva oil tanks are of highest quality in terms of design and production standards confirmed in several lab and field tests. The design ensures optimized shape, volumes and weight to follow the latest trends on modern vehicles. The outer parts are secured by highest quality painting methods to withstand the most demanding weather and operation conditions.

Our tanks are prepared to be equipped with a Hyva 10 micron air breather filter integrated in the filler cap. All our tanks feature oil level indicator, either one or more to optimize the oil volume needed per given application. We strongly believe that quality oil filtration can assure long lasting and problem free operation of the system, for this reason our tanks are compatible with Hyva return line filters.

Hyva tanks are standard equipped with a 1½”BSPOT or 1½”BSPIT suction connection, tipping valve can be mounted on a side mounting plate or directly on the return filter plate.

To complete our tank offer, Hyva offers several additional related components and spare parts like straps, nuts, tank supports, rubbers, vibration dampers, suction hoses, high pressure hoses, bolts, filler caps, adapters, ball valves and hose pillars.

The most popular oil tanks in the Hyva range are side mounted (SM), cradle mounted (CM), top mounted (TM) and rear mounted (RM) oil tanks.

Additionally we offer several special options characteristic for given applications and markets.

Side mounted tanks (SM)

The SM range is available in steel and aluminum with a working volume for the smallest tank of 35L and 94L up to 200L working volume for the bigger SM tanks.

These tanks are designed with single and double support, single and double mounting plate for tipping valve and suction ports located in the rear.

All tanks are compatible with air and return oil filters and are mainly used for tractor applications on the side of the truck frame.

Cradle mounted tanks (CM)

The CM tanks are available mainly in steel version and designed for mounting in the cylinder cradle area on tipper trucks. The standard range has working volume of up to 110L, suction port located at the bottom, they are compatible with Hyva air and return oil filters.

Top mounted tanks (TM)

The TM tanks are now available in steel and aluminium version, they are designed for mounting on the truck frame. These tanks have working volume of up to 110L, suction port located in the rear together with additional connection port, they are compatible with Hyva air and return oil filters and with dedicated mounting brackets.

Rear mounted tanks (RM)

The RM tanks are available in steel and aluminum, the main application is for tractor units where there is not enough space for side mounted tanks. The standard RM tanks are available with working volume up to 197L and can be mounted with standard tank supports or with use of QIK mounting kits to reduce the installation time. As other tanks, also compatible with Hyva air and return oil filters.

In this overview you can find everything about the oil tanks: the coding, the kits and the parts.

Code system oil tanks

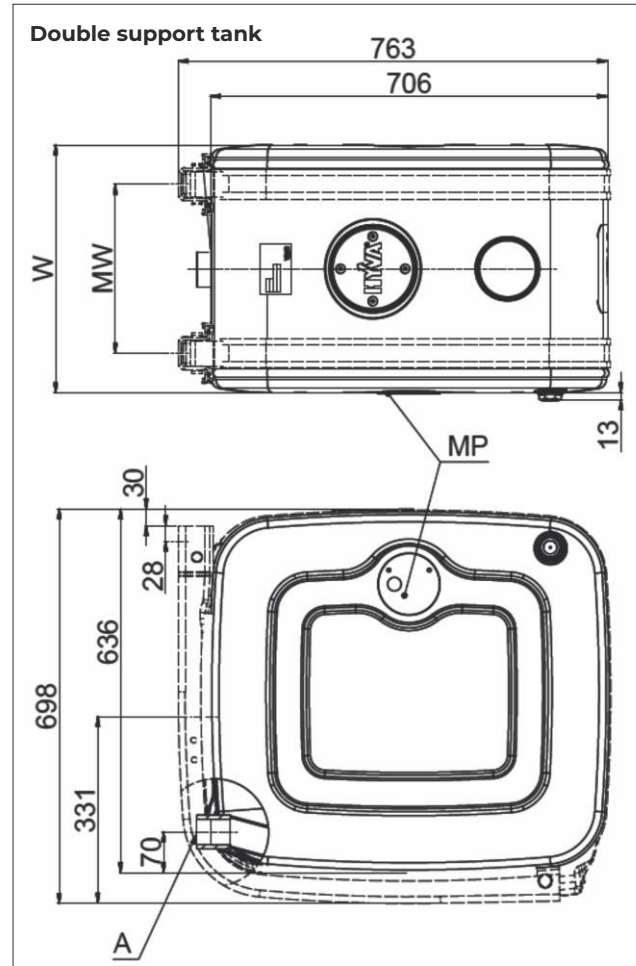
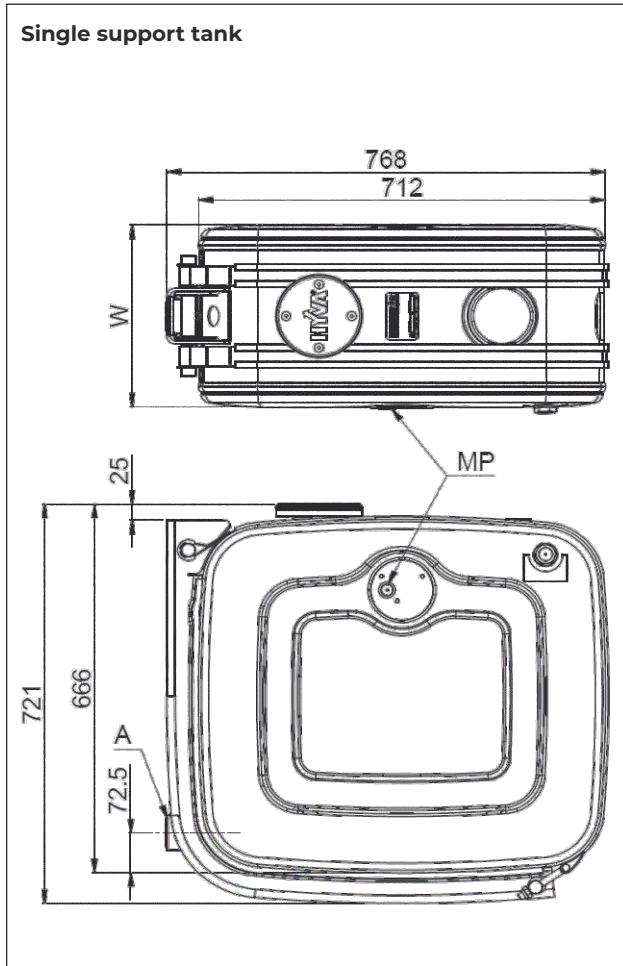
Oil tank	SM	202L	153L	AL	MP	RF/MR	
Oil tank							Oil tank
	SM						Mounting position
		202L					Gross volume
			153L				Working volume
				AL			Aluminum tank
					MP		Mounting plate for tipping valve
						RF/MR	With return filter / mounting plate-return filter

The description of the oil tank is corresponding with the way to choose the correct oil tank. At first the type of tank is chosen, then the gross and working volume. The working volume of the tank must be larger than the gross volume of the cylinder. The material of the tank is the next step. The last two codes explain whether the tank has a valve mounting plate and/or a tank return filter.

SIDE MOUNTED OIL TANKS (STEEL)

SIDE MOUNTED ALPHA STEEL TANK - SINGLE/DOUBLE SUPPORT + SINGLE MOUNTING PLATE (MP)

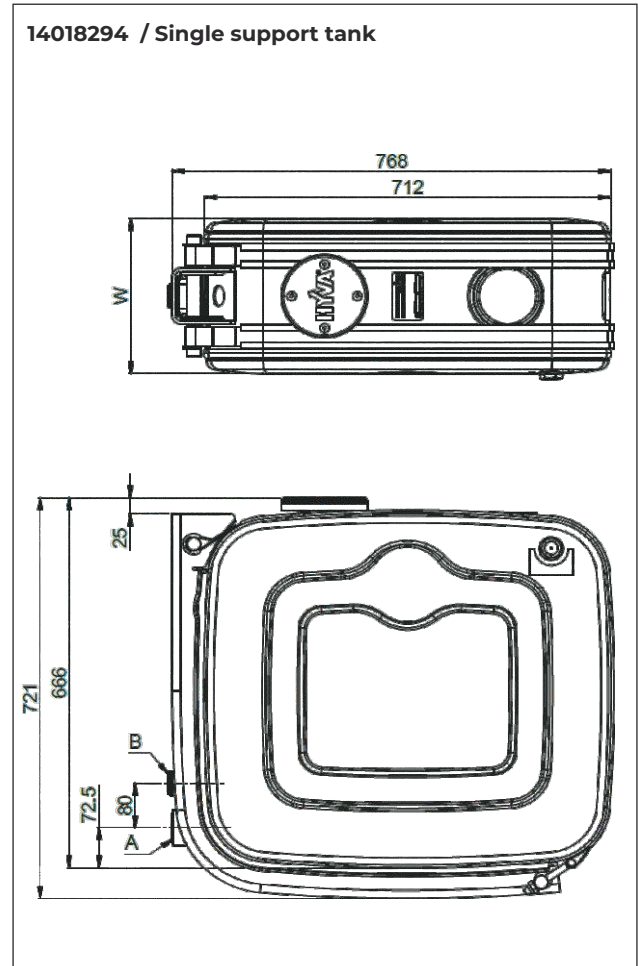
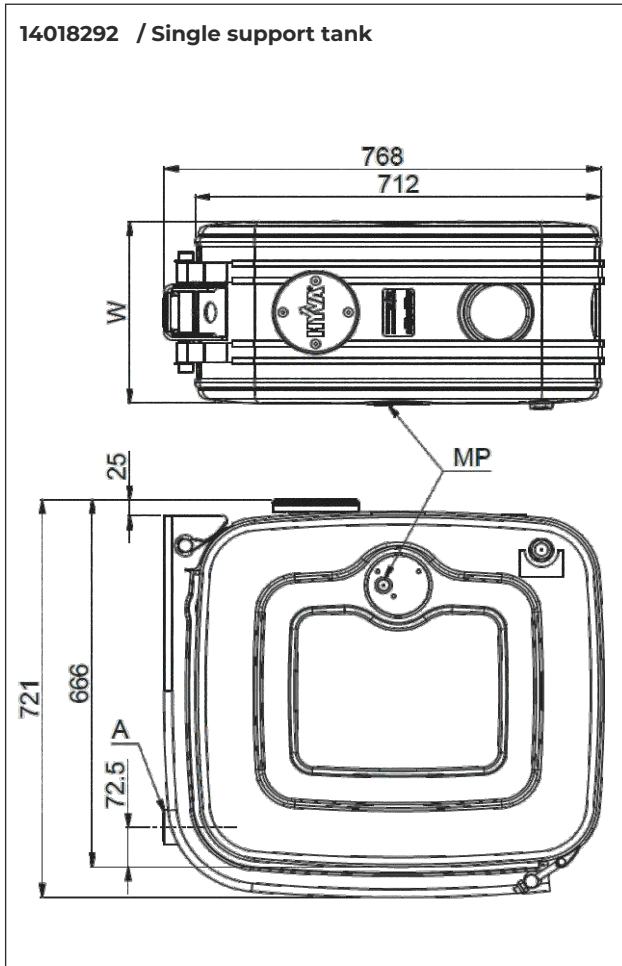
Part no.	Description	Working Volume (L)	Support configuration	Weight oil tank (Kg)	Width "W" (mm)	Mounting Width "MW" (mm)	Suction port "A"	Support kit
14017292	OIL TANK SM-132L/110L-MP-NARROW	110	SINGLE	30	330	-	1½" BSP	INCLUDED
14017254	OIL TANK SM-155L/130L-MP-MR	130	DOUBLE	32	380	195-225		14020160/61
14017258	OIL TANK SM-179L/150L-MP-MR	150	DOUBLE	34	440	200-275		14020160/61
14017262	OIL TANK SM-201L/170L-MP-MR	170	DOUBLE	36	495	220-330		14020160/61
14017266	OIL TANK SM-236L/200L-MP-MR	200	DOUBLE	39	580	250-415		14020160/61



SIDE MOUNTED ALPHA ALUMINIUM TANK - SINGLE SUPPORT + SINGLE MOUNTING PLATE (MP)

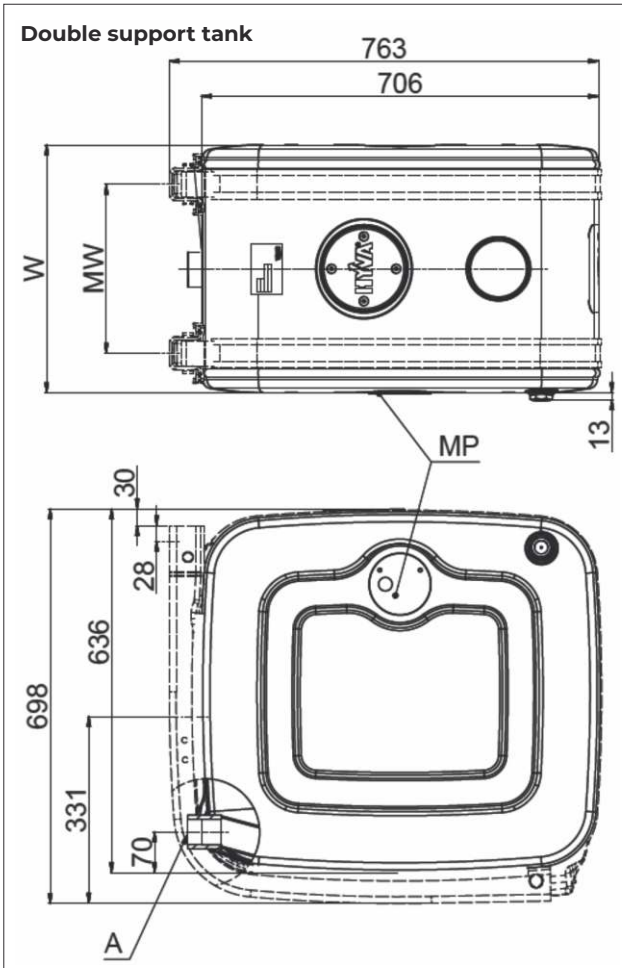
Part no.	Description	Working Volume (L)	Support configuration	Weight oil tank (Kg)	Width "W" (mm)	Mounting Width "MW" (mm)	Suction Port "A"	Return Port "B"	Support kit
14018292	OIL TANK SM-132L/112L-AL-MP-SGL SPRT KIT	112	SINGLE	14.7	330	-	1½"BSP	-	INCLUDED
14018294**	OIL TANK SM-110L/94L-AL-SGL SPRT KIT	94	SINGLE	13.5	280	-	-	1"	INCLUDED

** Oil tank 14018294 does not have a mounting plate



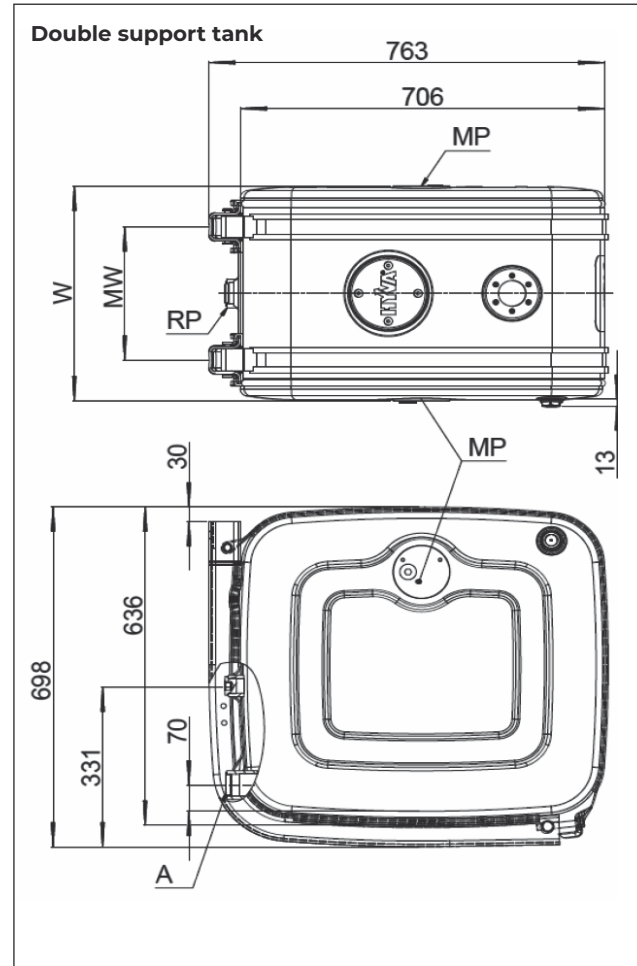
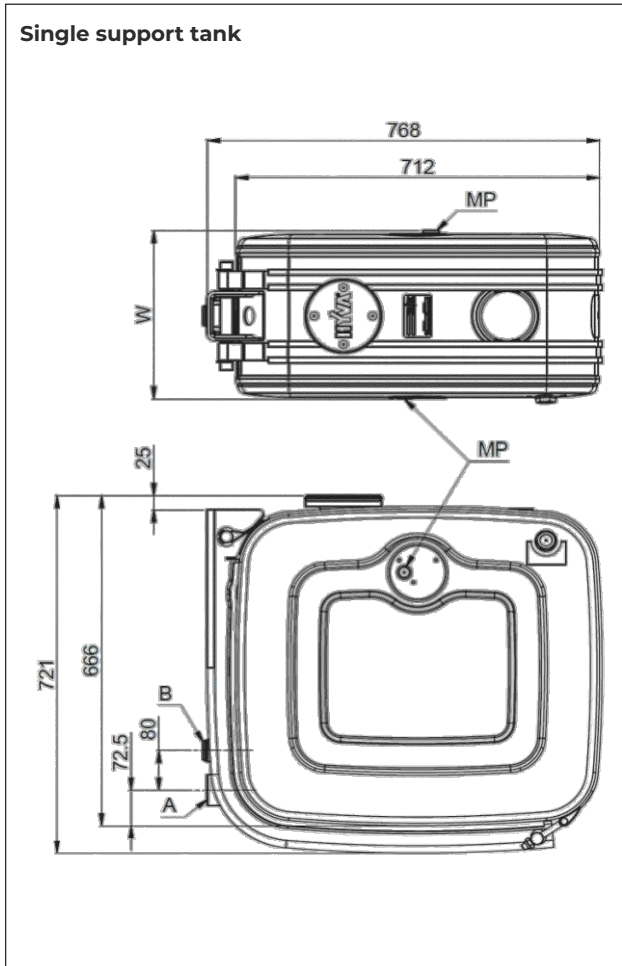
SIDE MOUNTED ALPHA ALUMINIUM TANK - DOUBLE SUPPORT + SINGLE MOUNTING PLATE (MP)

Part no.	Description	Working Volume (L)	Support configuration	Weight oil tank (Kg)	Width "W" (mm)	Mounting Width "MW" (mm)	Suction port "A"	Support kit
14018270	OIL TANK SM-155L/130L-AL-MP-MR	130	DOUBLE	15	380	195-225	1½"BSP	14020166/67
14018272	OIL TANK SM-179L/150L-AL-MP-MR	150	DOUBLE	16	440	200-275		14020166/67
14018274	OIL TANK SM-201L/170L-AL-MP-MR	170	DOUBLE	17	495	220-330		14020166/67
14018276	OIL TANK SM-236L/200L-AL-MP-MR	200	DOUBLE	18	580	250-415		14020166/67



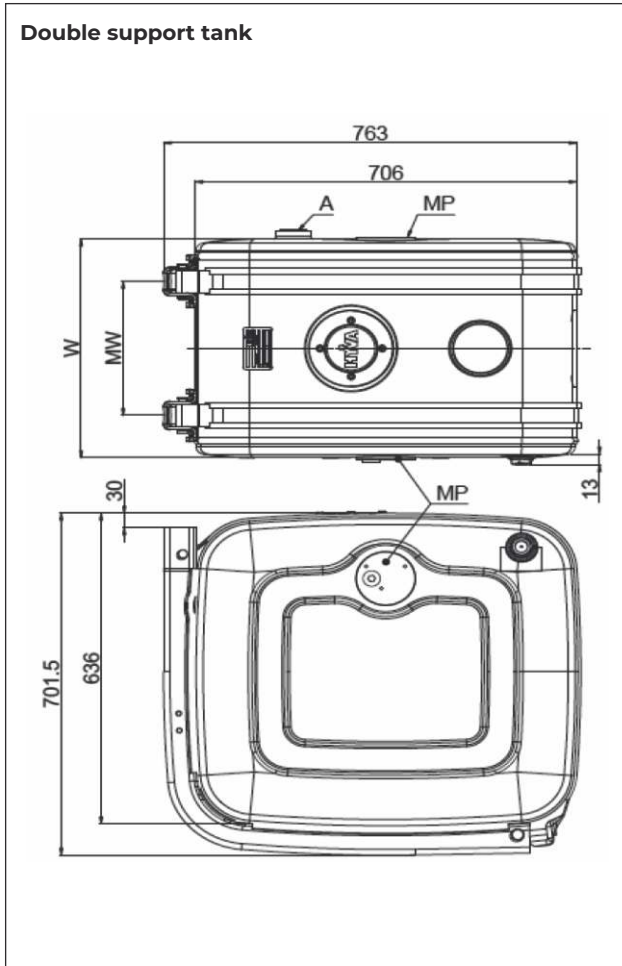
SIDE MOUNTED ALPHA ALU TANK - SINGLE/DOUBLE SUPPORT + DOUBLE MOUNTING PLATE (MP2)

Part no.	Description	Working Volume (L)	Support configuration	Weight oil tank (Kg)	Width "W" (mm)	Mounting Width "MW" (mm)	Suction Port "A"	Return Port "B"	Support kit
14018293	OIL TANK SM-132L/112L-AL-MP2-SGL SPRT KIT	112	SINGLE	16.5	340	-	1½" BSP	1"	INCLUDED
14018271	OIL TANK SM-155L/130L-AL-MP2-MR	130	DOUBLE	15	380	195-225		-	14020166/67
14018273	OIL TANK SM-179L/150L-AL-MP2-MR	150	DOUBLE	16	440	200-275		-	14020166/67
14018275	OIL TANK SM-201L/170L-AL-MP2-MR	170	DOUBLE	17	495	220-330		-	14020166/67
14018277	OIL TANK SM-236L/200L-AL-MP2-MR	200	DOUBLE	18	580	250-415		-	14020166/67



SM ALPHA ALU TANK - DOUBLE SUPPORT + DOUBLE MOUNTING PLATE (MP2) + SIDE SUCTION

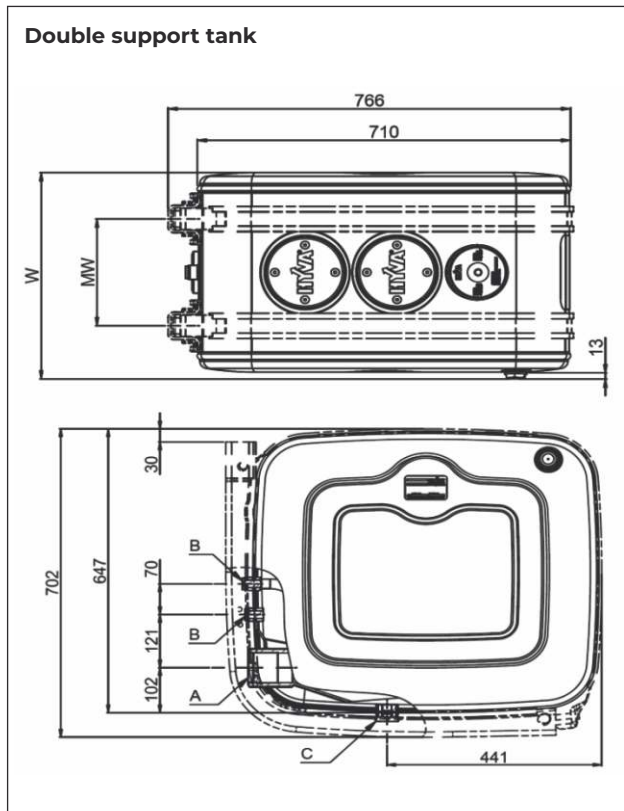
Part no.	Description	Working Volume (L)	Support configuration	Weight oil tank (Kg)	Width "W" (mm)	Mounting Width "MW" (mm)	Suction Port "A"	Support kit
14018330	OIL TANK SM-179L/150L-AL-MP2-MF-SIDE SUC	150	DOUBLE	18.8	449	200-275	1½"BSP	14020166/67



SM ALPHA ALU HIGH VOLUME TANK - DOUBLE SUPPORT + DOUBLE RETURN FILTER

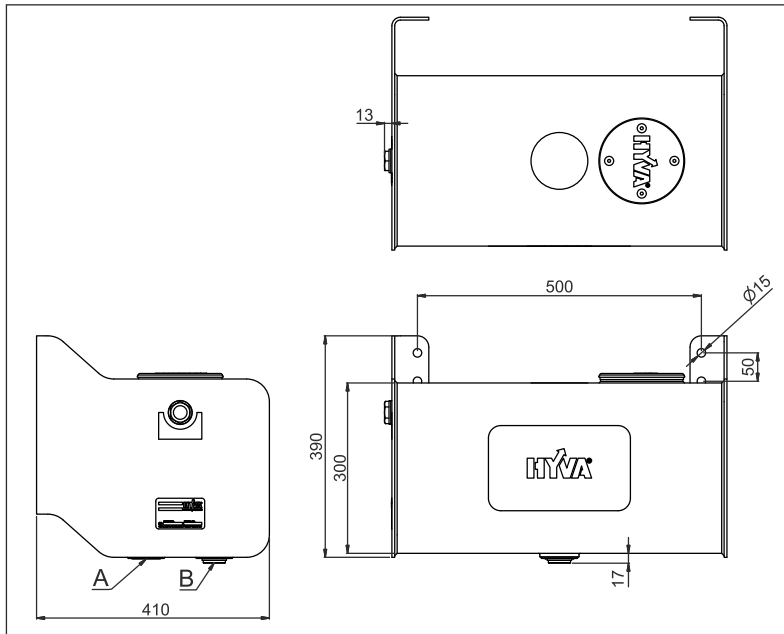
Part no.	Description	Working Volume (L)	Support Config.	Weight oil tank (Kg)	Width "W" (mm)	Mounting Width "MW" (mm)	Suction Port "A"	Outlet Port "B"	Drain Port "C"	Support kit
14018281	OIL TANK SM-169L/143L-AL-2RF-3LK-MAGN-L420	143	DOUBLE	16.5	420	215-225	2½" BSP	½" BSP	1" BSP	14020166/67
14018282	OIL TANK SM-200L/170L-AL-2RF-3LK-MAGN-L495	170	DOUBLE	17.7	495	220-330				14020166/67
14018283	OIL TANK SM-241L/204L-AL-2RF-3LK-MAGN-L595	206	DOUBLE	19.4	595	250-400				14020166/67
14018284	OIL TANK SM-282L/240L-AL-2RF-3LK-MAGN-L695	242	DOUBLE	21.0	695	350-500				14020166/67
14018285	OIL TANK SM-322L/273L-AL-2RF-3LK-MAGN-L795	278	DOUBLE	22.7	795	450-600				14020166/67
14018286	OIL TANK SM-364L/307L-AL-2RF-3LK-MAGN-L895	314	DOUBLE	24.3	895	450-650				14020166/67

NOTE: These high volume tanks do not have a mounting plate.



SMALL SIDE MOUNTED STEEL OIL TANK

Part no.	Description	Working volume (L)	Weight (kg)	Suction port "A"	Additional Return port "B"
14022115	OIL TANK SM-50L/35L-MF	35	26.7	1½"BSP	1"BSP



TANK RETURN FILTER PLATE

Part no.	Description	Weight (kg)
14895930	TANK RETURN FILTER PLATE NO PIPE SC IL 247	1.9



ADAPTOR KIT 90 DEGREES FOR PLATE FILTER

Part no.	Description	Weight (kg)
01317987	ADAPTOR KIT 90 FOR RETURN FILTER 1"BSPOTC	0.1



SINGLE SUPPORT MOUNTING KIT

Pos.	Part no.	Description	Weight (Kg)
1 & 2	14020314	SUPPORT WITH THREE HOLES INCL. RUBBER	11.7
2	14020315	RUBBER FOR SUPPORT	0.4
3 & 4	14020313	STRAP WITH RUBBER	1.2
3	14020426	RUBBER FOR STRAP	0.2
5	08102116	AIR BREATHER	0.4

Mounting kit contains fastening components like bolts, pins & washers.

Note:

This support kit is suitable for the following single support side mounted oil tanks shown on page 6, 7 & 9.

Page 6

14017 292

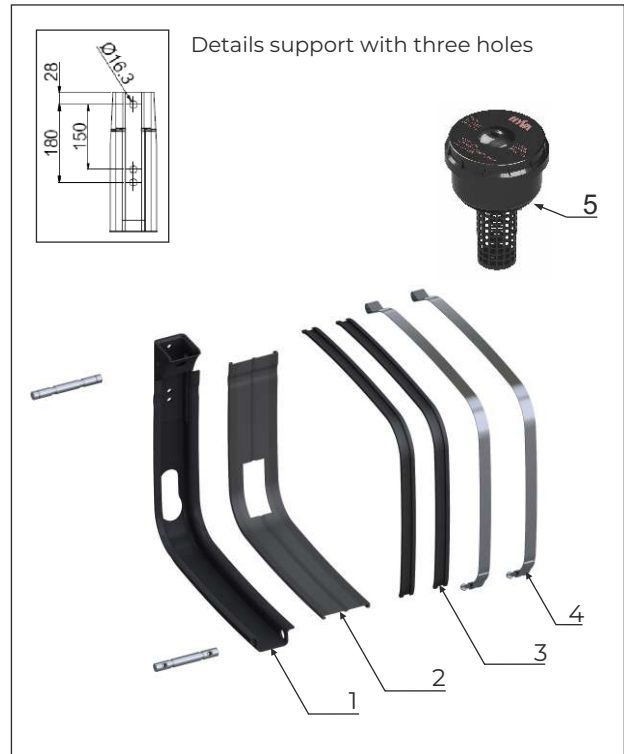
Page 7

14018 292

14018 294

Page 9

14018 293



DOUBLE SUPPORT MOUNTING KIT FOR STEEL TANKS

Pos.	Part no.	Description	Weight (Kg)
	14020160	SUPPORT KIT COMPLETE ONE HOLE	
	14020161	SUPPORT KIT COMPLETE THREE HOLES	
1 & 2	14020320	SUPPORT WITH ONE HOLE INCL. RUBBER	8.7
1 & 2	14020321	SUPPORT WITH THREE HOLES INCL. RUBBER	8.7
2	14020435	RUBBER FOR SUPPORT	0.4
3 & 4	14020308	STRAP WITH RUBBER	1.4
3	14020425	RUBBER FOR STRAP	0.2
5	08102116	AIR BREATHER	0.4

Mounting kit contains fastening components like bolts, pins & washers.

Note:

These support kits are suitable for the following double support side mounted oil tanks shown on page 6.

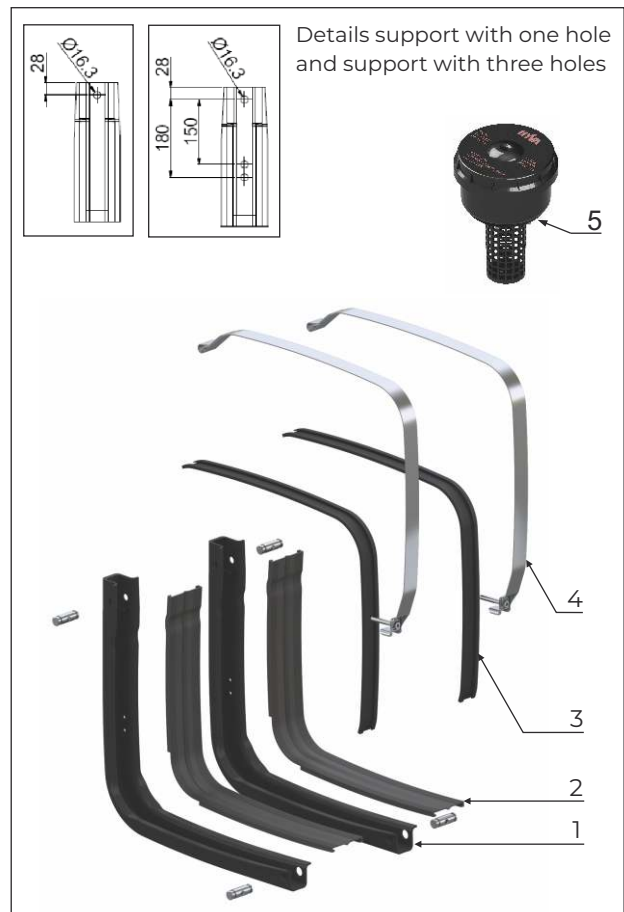
Page 6

14017254

14017258

14017262

14017266



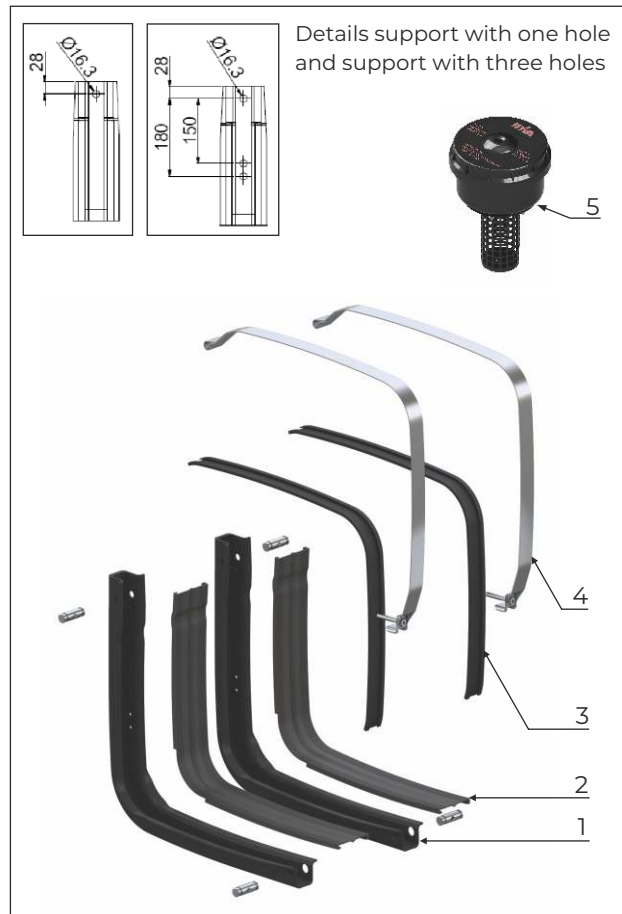
DOUBLE SUPPORT MOUNTING KIT FOR ALU TANKS

Pos.	Part no.	Description	Weight (Kg)
	14020166	SUPPORT KIT COMPLETE ONE HOLE	
	14020167	SUPPORT KIT COMPLETE THREE HOLES	
1 & 2	14020310	SUPPORT WITH ONE HOLE INCL RUBBER	8.7
1 & 2	14020311	SUPPORT WITH THREE HOLES INCL. RUBBER	8.7
2	14020436	RUBBER FOR SUPPORT	0.4
3 & 4	14020309	STRAP WITH RUBBER	1.4
3	14020428	RUBBER FOR STRAP	0.2
5	08102116	AIR BREATHER	0.4
Mounting kit contains fastening components like bolts, pins & washers.			

Note:

These support kits are suitable for the following double support side mounted oil tanks shown on page 8, 9, 10 & 11.

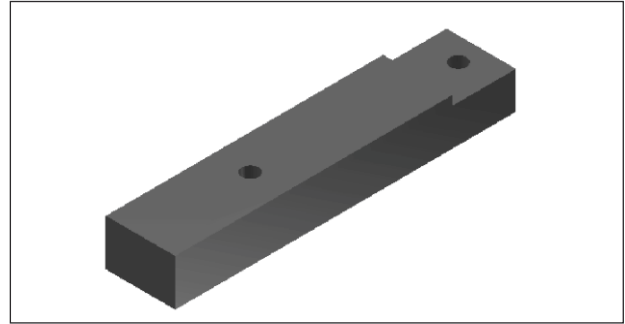
Page 8	Page 9	Page 10	Page 11
14018270	14018271	14018330	14018281
14018272	14018273		14018282
14018274	14018275		14018283
14018276	14018277		14018284
			14018285
			14018286



SPACERS

Part no.	Description	Weight (kg)
01040002	SPACER 295X60X40 FOR MAN	0.8
01040003	SPACER 295X60X27 FOR MAN	0.5
01040004	SPACER 160X60X8 FOR RENAULT	0.1
01040005	SPACER 230X60X20/16 FOR MERCEDES	0.3
01040006	SPACER 230X60X6/2 FOR MERCEDES	0.1
01040007	SPACER FLAT 67MM IVECO	0.7

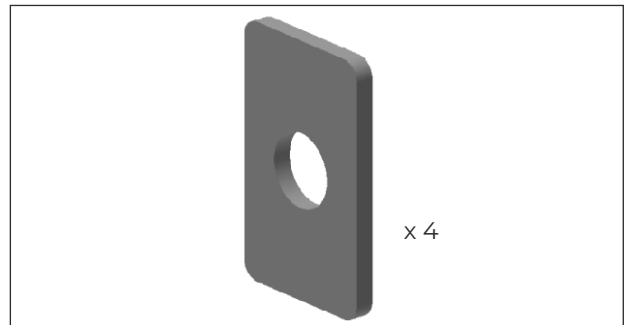
Light weight spacers for mounting SM tanks on an S-Shaped narrowed chassis.



WASHER KIT

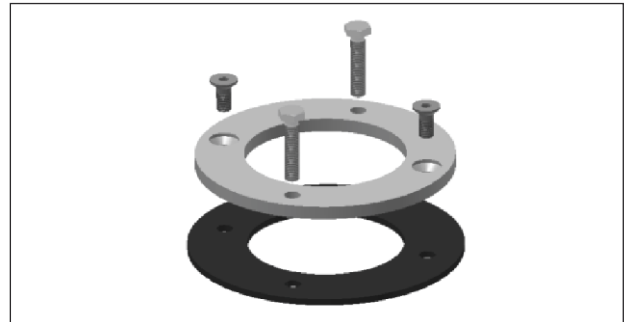
Part no.	Description	Weight (kg)
14020125	WASHER KIT FOR M16 BOLT	0.2

If support is connected to the chassis by M16 bolts instead of M14 bolts, Hyva advises to use the washer kit.



STRENGTHENING RING

Part no.	Description	Weight (kg)
14020509	STRENGTHENING RING SM TANK RF KIT	0.2



SPY EYE

Part no.	Description
08102121	1" LEVEL SPY EYE WITH GASKET



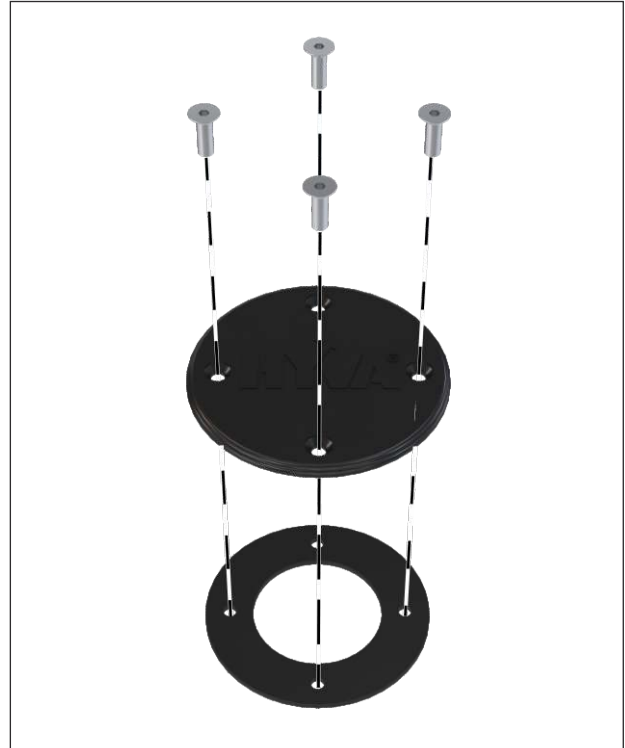
SPY EYE BLIND PLUG + FLAT SEAL GASKET

Part no.	Description
08102145	1" SPY EYE BLIND PLUG WITHOUT GASKET
08102148	FLAT SEAL GASKET 1" FOR 08102145 SPY EYE



COVER PLATE FOR MOUNTING FLANGE

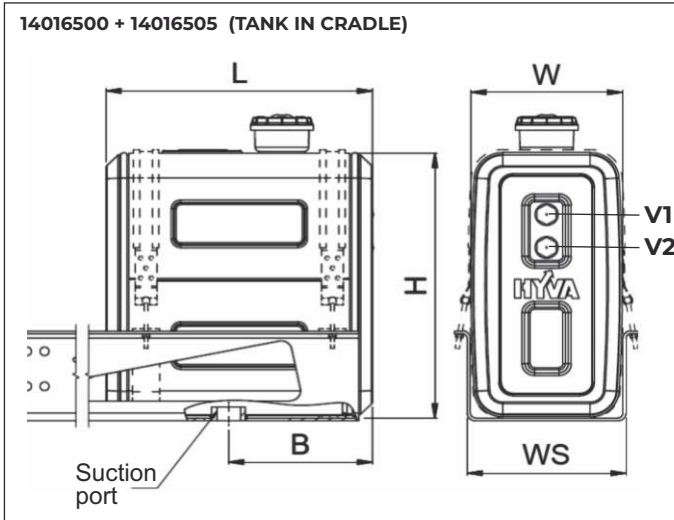
Part no.	Description	Weight (kg)
08102102	COVER PLATE KIT FOR MOUNTING FLANGE	0.25



CRADLE MOUNTED OIL TANKS

CRADLE MOUNTED TANKS (STEEL)

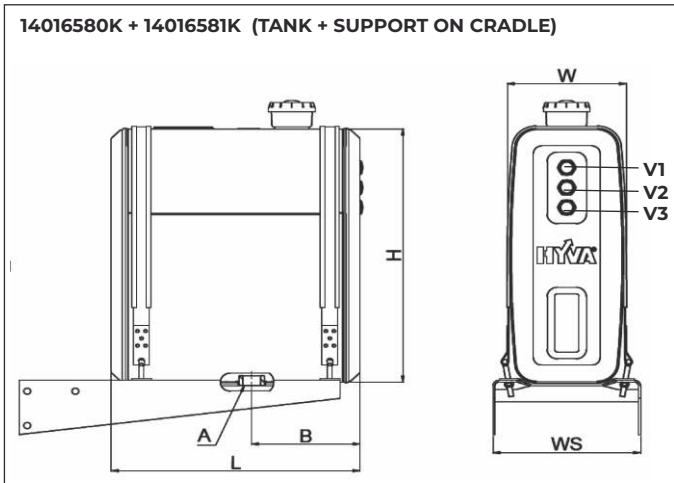
Part no.	Description	Working volume		Weight (Kg)	Width (mm)	Mounting width (mm)	H (mm)	L (mm)	B (mm)	W (mm)	WS (mm)	Suction port
		V1	V2									
14016500	OIL TANK CM-066L/047L-039L-MF	47	39	18	280	368	525	500	270	280	368	1½" BSP
14016505	OIL TANK CM-083L/059L-048L-MF	59	48	22	280	368	525	620	270	280	368	



CRADLE MOUNTED TANK KITS (STEEL+ALU)

Part no.	Description	Working volume			Material	Weight of Tank (kg)	Mounting width (mm)	H (mm)	L (mm)	B (mm)	W (mm)	WS (mm)	Suction Port "A"
		V1	V2	V3									
14016580K*	OIL TANK CM-110L/090L-081L-072L-MF KIT	90	81	72	STEEL	31.5	368	700	620	270	280	368	1½" BSP
14016581K*	OIL TANK CM-110L/090L-081L-072L-AL-MF KIT	90	81	72	ALU	11.2	368	700	620	270	280	368	

* Kit includes: Tank body (14016580 or 140116581), air breather & full mounting kit (14021014) shown on page 18.

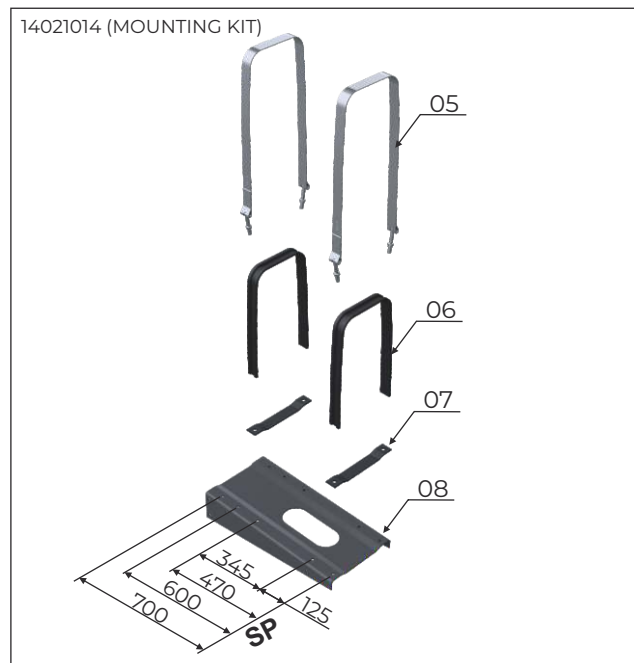
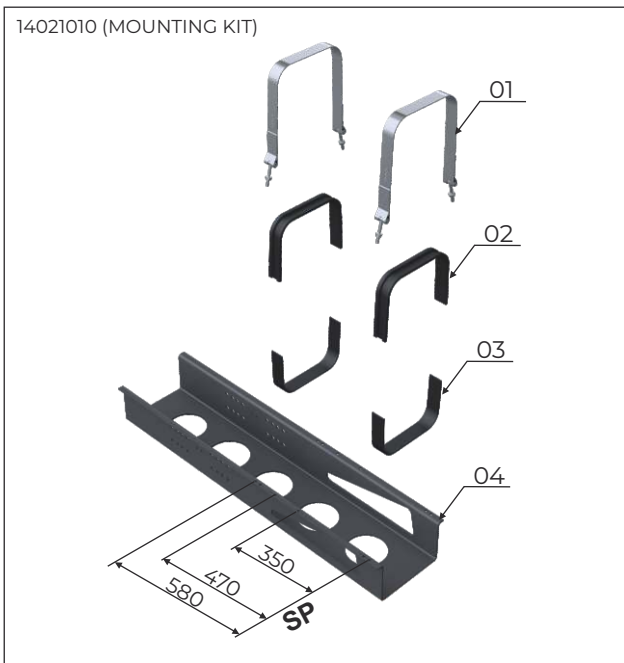


MOUNTING KIT FOR CM-TANKS IN CRADLE 286 MM

Positon	Part no.	Description	Part no. oil tank		Weight (kg)
			14016500	14016505	
	14021010*	FULL MOUNTING KIT FOR OIL TANKS 14016 500 & 14016 505			
SEPARATE MOUNTING PARTS					
01	14020471	STRAP 858 X 40 MM	■	■	0.7
02	14020475	RUBBER FOR STRAP 638 X 40 MM	■	■	0.1
		STRAP POSITION (SP)	350 MM	470 MM	
03	14020450	RUBBER FOR SUPPORT 50X4 L=570 MM	■	■	0.1
* FULL KIT = 2X (STRAP + T-BOLT AND NUT (1), RUBBER FOR STRAP (2) & RUBBER FOR SUPPORT (3)). THE CRADLE HAS TO BE ORDERED SEPARATELY (4).					
CRADLE PART					
04	01507538	CRADLE 286 MM	■	■	36.7

MOUNTING KIT FOR CM-TANKS ON SUPPORT FOR IN CRADLE 368 MM

Positon	Part no.	Description	Part no. oil tank		Weight (kg)
			14016580	14016581	
	14021014*	FULL MOUNTING KIT FOR OIL TANKS 14016580 & 14016581			
SEPARATE MOUNTING PARTS					
05	14020351	STRAP 1510 X 40 MM	■	■	1.4
06	14020335	RUBBER FOR STRAP 1200 X 40 MM	■	■	0.2
		STRAP POSITION (SP)	470 MM	470 MM	
07	14020485	RUBBER FOR SUPPORT	■	■	0.1
* FULL KIT = 2X (STRAP + T-BOLT AND NUT (5), RUBBER FOR STRAP (6) & RUBBER FOR SUPPORT (7)), THE SUPPORT HAS TO BE ORDERED SEPARATELY (8).					
TANK SUPPORT FOR CRADLE PART					
08	14020480	TANK SUPPORT FOR IN CRADLE 368 MM	■	■	16.1



CRADLE

Part no.	Description	Weight (kg)
01507538	CRADLE 129/149 SPECIAL FOR 14016500 & 14016505	36.7

01507538



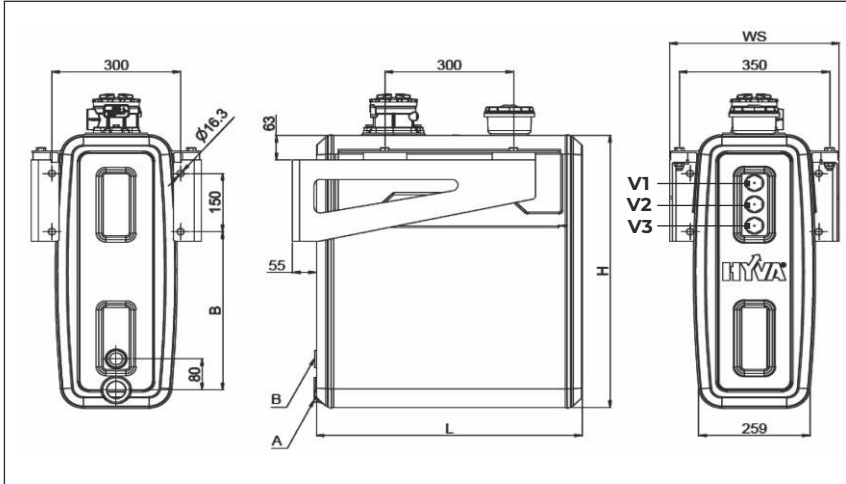
SPY EYE

Part no.	Description
08102152	1" LEVEL SPY EYE ALU



TOP MOUNTED OIL TANKS (STEEL+ALU)

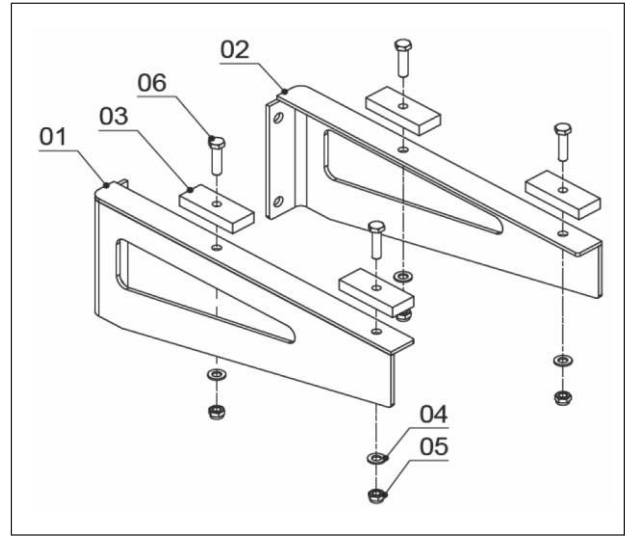
Part no.	Description	Working volume			Material	Weight of Tank (kg)	H (mm)	L (mm)	B (mm)	W (mm)	WS (mm)	Suction Port "A"	Additional Suct. Port "B"
		V1	V2	V3									
14016585	OIL TANK TM-108L/086L-078L-069L-MF	86	77	68	STEEL	44	701	620	407.5	259	396	1½"BSP	1"BSP
14016586	OIL TANK TM-108L/086L-078L-069L-AL-MF	86	77	68	ALU	18	702	620	408	259	396		



MOUNTING KIT FOR TOP MOUNTED TANKS

Pos.	Part no.	Description	Weight (Kg)
	14021030*	SUPPORT KIT TANK TM	11.6
01	14020500	SUPPORT LEFT	5.0
02	14020502	SUPPORT RIGHT	5.0
03	08101050	TANK RUBBER	0.1
04	15020070	WASHER	0.1
05	15026535	LOCKING NUT	0.1
06	15006022	BOLT	0.1

* Mounting kit contains: Support left and right (01 & 02), 4x Tank rubber (03), 4x Bolt (06), 4x Nut (05) and 4x Washer (04)



SPY EYE

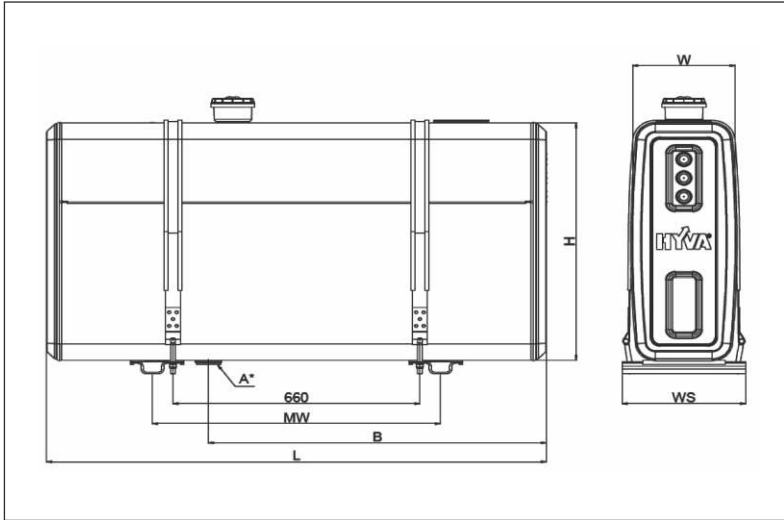
Part no.	Description
08102152	1" LEVEL SPY EYE ALU



REAR MOUNTED TANK KITS

Part no.	Description	Working Volume (L)			Material	Weight of Tank (kg)	H (mm)	L (mm)	B (mm)	W (mm)	WS (mm)	MW (mm)	Additional Suct. Port "A"
		V1	V2	V3									
14015050*	OIL TANK RM-240L/198L-179L-159L-MF-KIT	198	179	159	STEEL	59	700	1336	903	280	330	770	1½" BSP
14015070*	OIL TANK RM-240L/198L-179L-159L-AL-MF-KIT	198	179	159	ALU	21	700	1336	903	280	330	770	

* RM tank kits contain: Tank body, air breather, 2x strap, 2x rubber for support.
The supports and return filter are not included in the kit and have to be ordered separately.



14015050



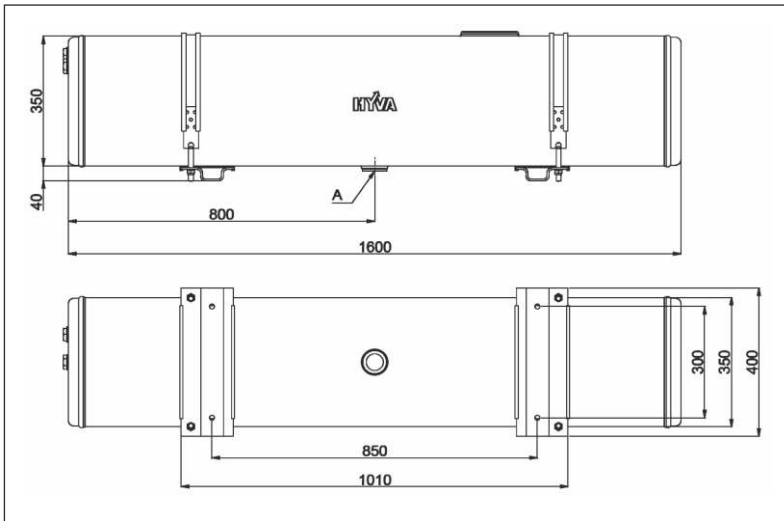
14015070



LOW LONG REAR MOUNTED ALUMINIUM OIL TANK (LLRM)

Part no.	Description	Gross volume (L)	Working volume 1 (L)	Working volume 2 (L)	Weight (kg)	Suction port "A"
14015076	OIL TANK RM-177L/144L-128L-MF-LOW LONG	177	144	128	29	1½" BSP

This oil tank will be delivered including support, rubber for support, straps and rubber for straps



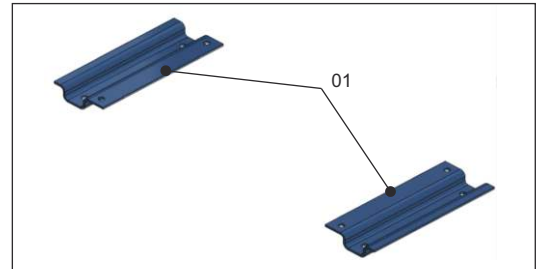
NOTE:

Tank return filters (plate version) with part numbers: 14895923, 1489524 & 14895925 mentioned on page 26 in this catalog can be mounted on the LLRM tank without extension tube applied.

FULL MOUNTING KIT FOR 14015050 & 14015070 RM-TANK

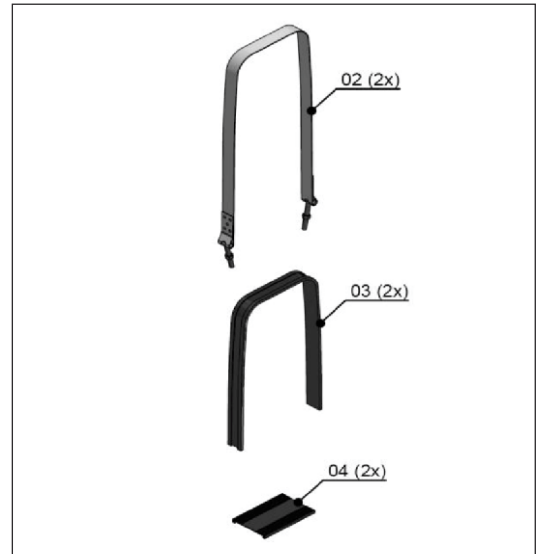
Position	Part no.	Description
01	14221604	RM TANK STANDARD SUPPORT KIT*

* Full kit = 2x support bracket



SPARE PARTS RM-TANK

Position	Part no.	Description	Weight (Kg)
02	14020351	STRAP 1510 X 40 MM STAINLESS STEEL	1.0
03	14020332	RUBBER 1200 X 40MM	0.2
04	14221602	RUBBER TANK SUPPORT RM 280/340	0.1



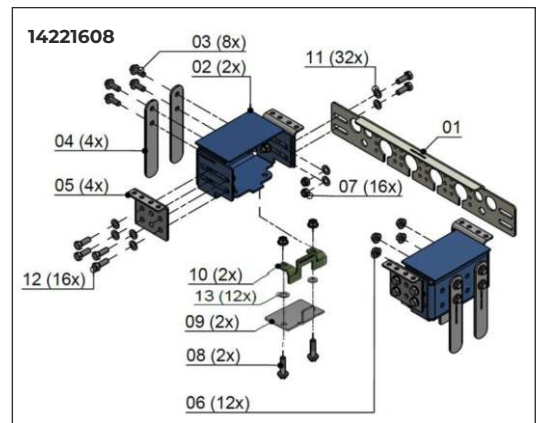
FULL EASY MOUNTING KIT FOR 14015050 & 14015070 RM-TANK

Part no.	Description
14221608	RM TANK EASY MOUNTING KIT*

* Full kit = All below mentioned spare parts.
This mounting kit is applicable for chassis width between 760-945mm, including tapered chassis of 4 degrees.

SPARE PARTS FOR FULL EASY MOUNTING KIT

Position	Part no.	Description	Weight (Kg)
01	14221611	MULTIFUNCTION STRIP	3.0
02	14221609	MAIN BRACKET WELD ASSEMBLY	6.1
03	DIN 6921	HEXAGON FLANGE BOLT M14 X 35	-
04	14221610	CHASSIS MOUNTING PLATE	0.5
05	14221612	L MOUNTING PLATE	0.7
06	DIN 6923	HEXAGON FLANGE NUT M14	-
07	DIN 985	HEXAGON LOCKING NUT M14	-
08	DIN 6921	HEXAGON FLANGE BOLT M14 X 55	-
09	14221613	CLAMP BOTTOM PLATE	0.8
10	14221614	CLAMP TOP PLATE	0.4
11	DIN 125A	PLAIN WASHER M14	-
12	DIN 933	HEXAGON HEAD BOLT M14 X 40	-
13	DIN 7349	PLAIN WASHER M14 X 6MM	-

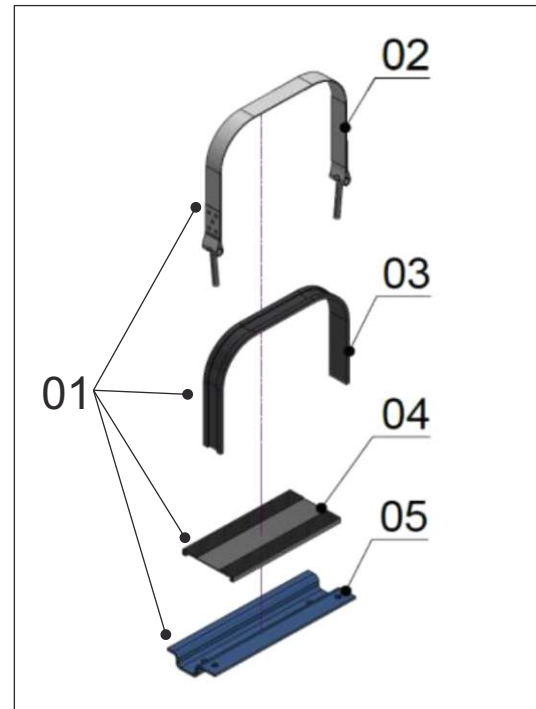


FULL MOUNTING KIT FOR LLRM TANK

Position	Part no.	Description
01	14221615	STANDARD SUPPORT KIT FOR LLRM OIL TANK

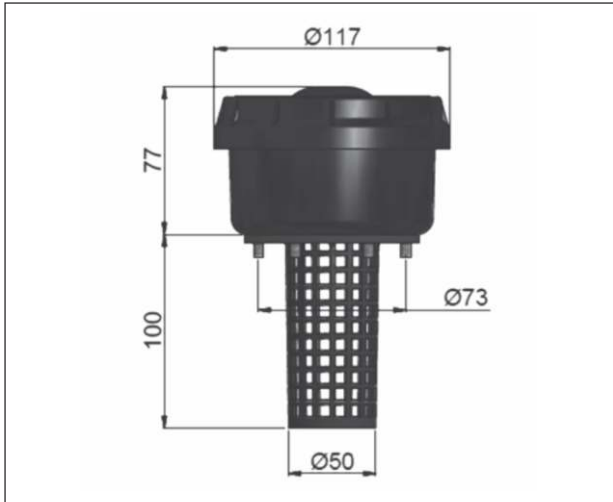
SPARE PARTS FOR FULL MOUNTING KIT LLRM TANK

Position	Part no.	Description
02	14020471	STRAPS 858 X 40 MM FOR LLRM OIL TANK
03	14020357	STRAP RUBBER 780 X 40 MM FOR LLRM OIL TANK
04	14221617	SUPPORT RUBBER 305 X 137 MM FOR LLRM OIL TANK
05	14221616	SUPPORT 400 X 35 MM FOR LLRM OIL TANK



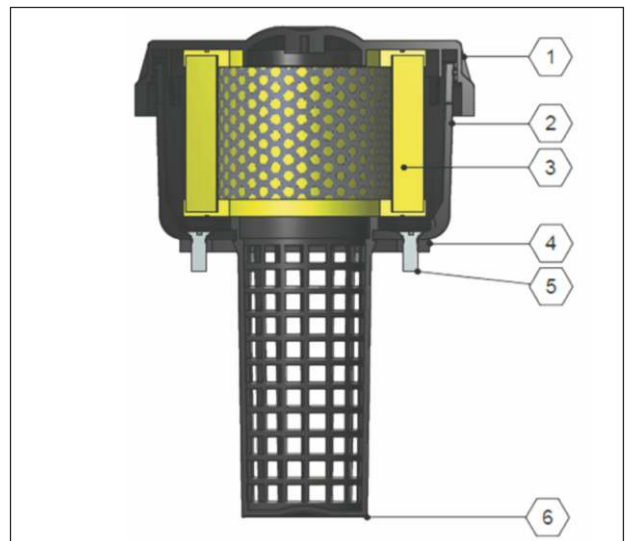
AIR BREATHER

Part no.	Description	Filtration	Filter capacity	Weight
08102116	FILLER/BREATHER ASSEMBLY COMPLETE	10 µM	1350 L/MIN.	0.4 KG



SPARE PARTS AIR BREATHER FILTER

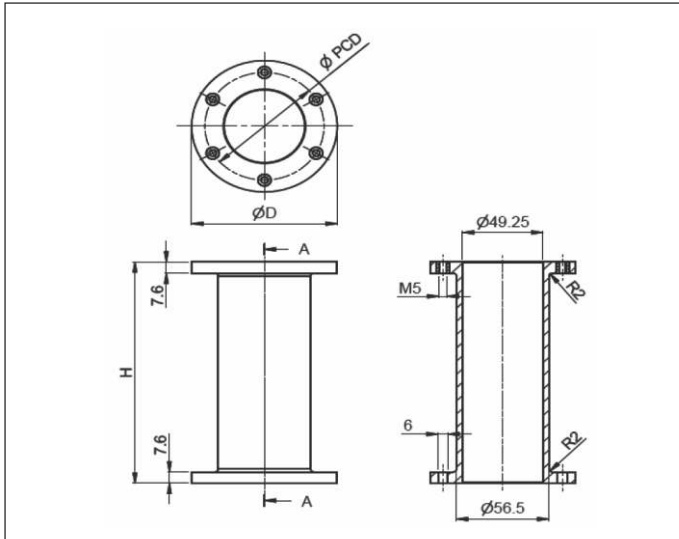
Pos.	Part no.	Description	Qty
1	08102119	COVER	1
2	08102125	FILTER HOUSE	1
3	08102117	AIR FILTER ELEMENT	1
4	08102126	SEAL	1
5	08102127	BOLT	6
6	08102128	SLEEVE	1



EXTENSION TUBE FOR AIR BREATHER

Part no.	Description	H (mm)	ØD (mm)	ØPCD* (mm)	Material	Weight (kg)
09280071A	EXTENSION FOR AIR BREATHER	150	89	73	PA6	0.18

* PCD = PITCH CIRCLE DIAMETER



Mounting example



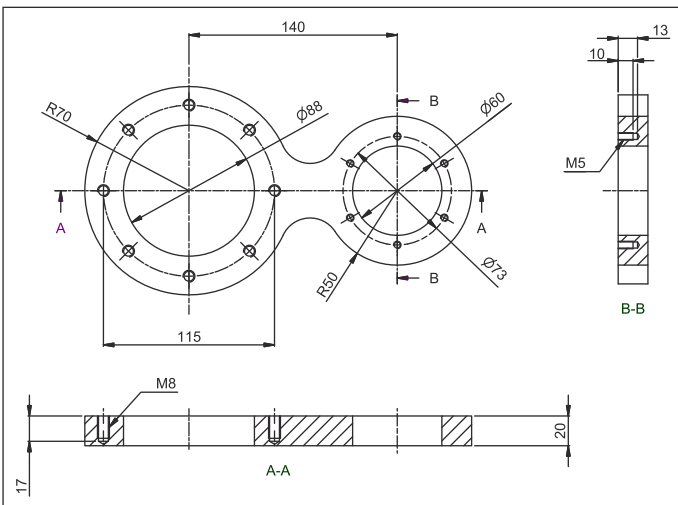
STEEL MOUNTING FLANGE FOR AIR BREATHER FILTER

Part no.	Description
08102119	STEEL MOUNTING FLANGE FOR AIR BREATHER FILTER 081 02 116



TOP MOUNTING PLATE AIR BREATHER + RETURN LINE FILTER ON OIL TANK

Part no.	Description	Material	Weight
14023100	TOP MOUNTING FLANGE FOR AIR BREATHER + RETURN LINE FILTER	STEEL	2.3 KG
14023101	TOP MOUNTING FLANGE FOR AIR BREATHER + RETURN LINE FILTER	ALUMINIUM	0.8 KG



TANK RETURN FILTER KITS - HOUSE VERSION (STANDARD CAPACITY (SC) + HIGH CAPACITY (HC))

Part no.	Description	Filter Type*	Inside length IL (mm)	Tube length TL (mm)	Weight (kg)	Nominal flow (l/min)	Filter element (µm)	Filter area (mm ²)
14780306	TNK RET. FILTER HOUSE NO PIPE SC NO CLICK	SC	224	USE HOSE & CLAMP	1.20	150	25	1730
14780305	TNK RET. FILTER HOUSE NO PIPE HC	HC	326	NO TUBE	1.40	250	25	2500
14780301	TANK RETURN FILTER HOUSE KIT 452 SC	SC	452	250	1.30	150	25	1730
14780331	TANK RETURN FILTER HOUSE KIT 452 HC	HC	460	150	1.50	250	25	2500
14780303	TANK RETURN FILTER HOUSE KIT 552 SC	SC	552	350	1.30	150	25	1730
14780333	TANK RETURN FILTER HOUSE KIT 552 HC	HC	560	250	1.50	250	25	2500
14780304	TANK RETURN FILTER HOUSE KIT 602 SC	SC	602	400	1.30	150	25	1730
14780334	TANK RETURN FILTER HOUSE KIT 602 HC	HC	610	300	1.50	250	25	2500

* SC = IS KIT WITH FILTER ELEMENT-SC (PART NO. 14896991A)
 * HC = IS KIT WITH FILTER ELEMENT-HC (PART NO. 14896990)

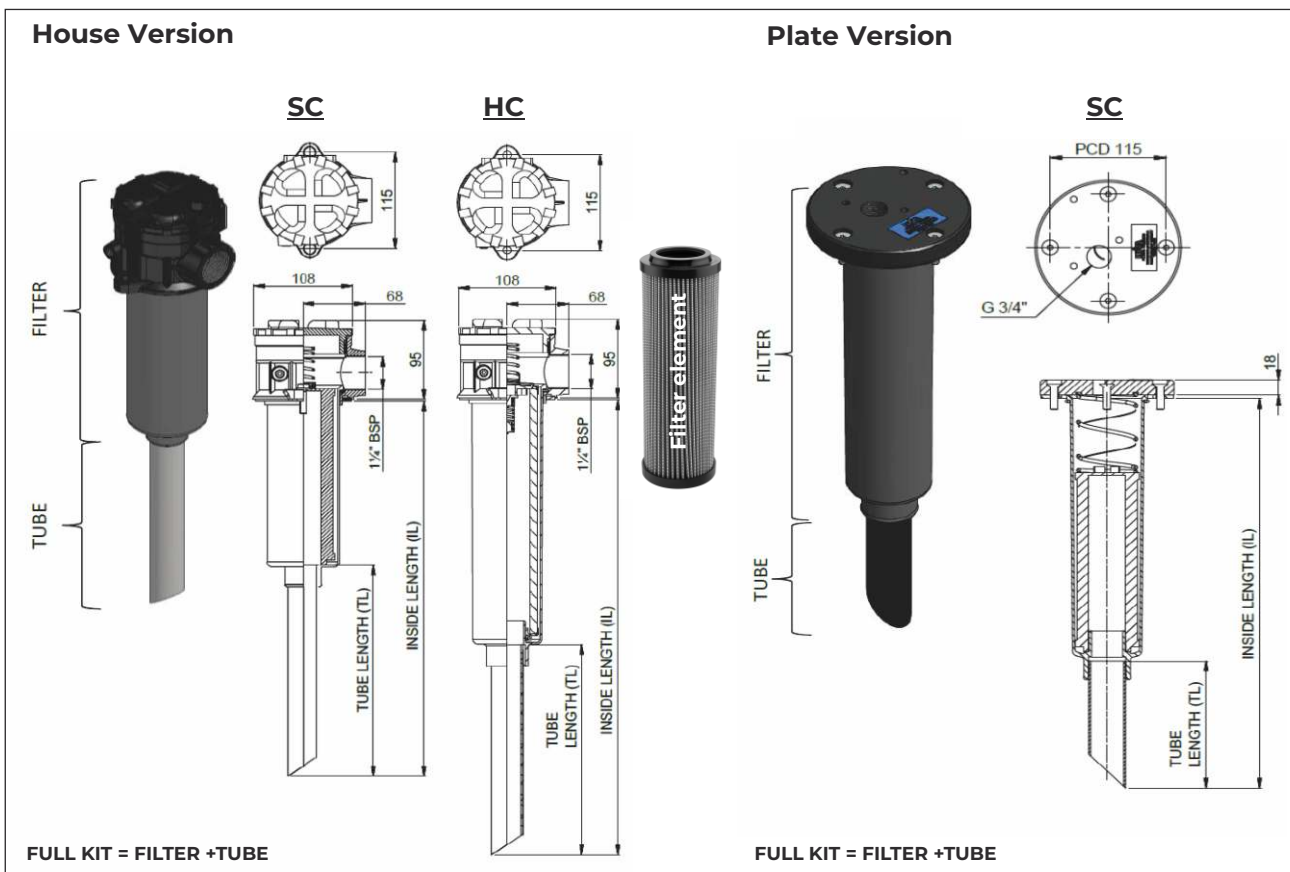
ATTENTION! These above filter kits can not be ordered anymore. Only the filter elements 14896991A & 14896990 needed for these kits are still available for ordering.

TANK RETURN FILTER KITS - PLATE VERSION (STANDARD CAPACITY (SC))

Part no.	Description	Filter Type*	Inside length IL (mm)	Tube length TL (mm)	Weight (kg)	Nominal flow (l/min)	Filter element (µm)	Filter area (mm ²)
14895918	TNK RET. FILTER PLATE NO PIPE SC IL 342	SC	342	NO TUBE	1.70	150	25	1730
14895919	TANK RETURN FILTER PLATE KIT 465 SC	SC	465	150	1.80	150	25	1730
14895920	TANK RETURN FILTER PLATE KIT 565 SC	SC	565	250	1.90	150	25	1730
14895921	TANK RETURN FILTER PLATE KIT 665 SC	SC	665	300	2.00	150	25	1730

* SC = IS KIT WITH FILTER ELEMENT-SC (PART NO. 14896991A)

ATTENTION! These above filter kits can not be ordered anymore. Only the filter element 14896991A needed for these kits is still available for ordering.



TANK RETURN FILTER KITS - HOUSE VERSION

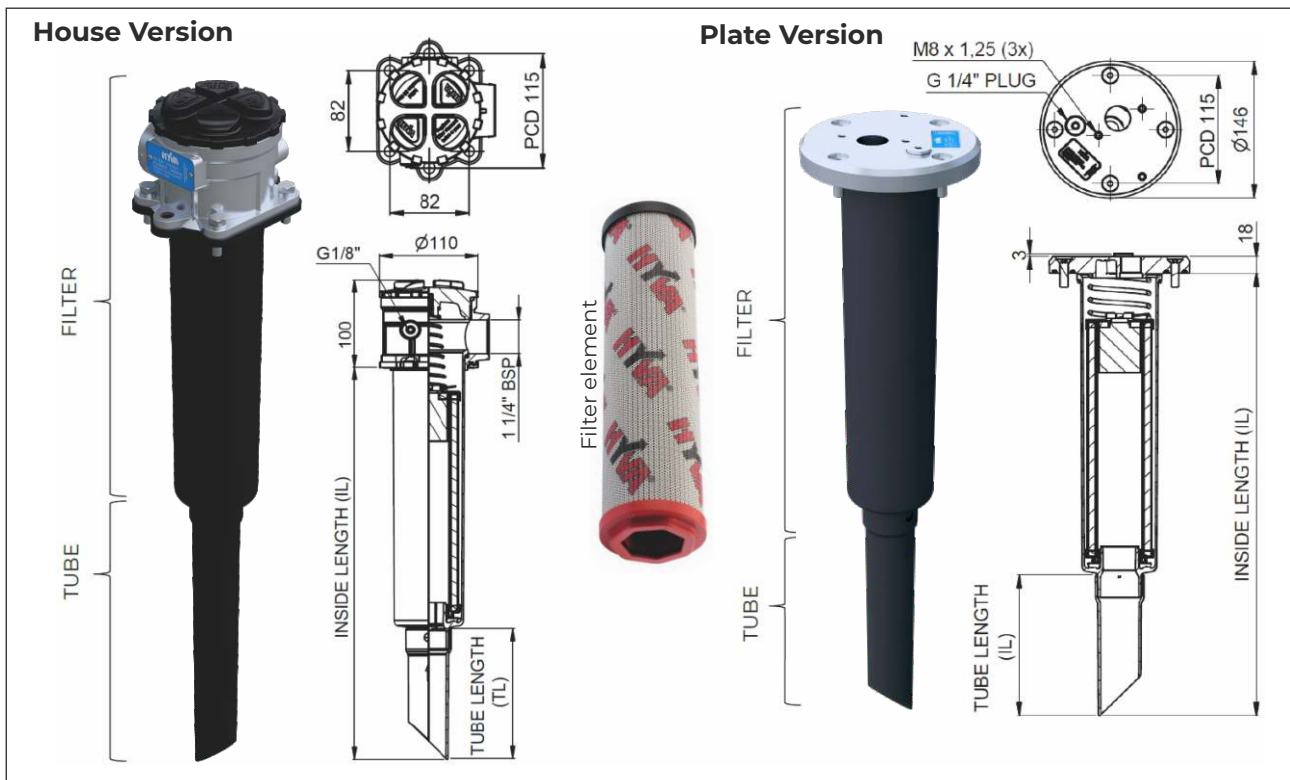
Part no.	Description	Inside length (mm)	Tube length (mm)	Weight (kg)	Nominal flow (l/min)	Filter element (µm)	Filter area (mm ²)
14780358	TANK RETURN FILTER HOUSE KIT NO PIPE 323	323	NO TUBE	1.40	240	25	1955
14780351	TANK RETURN FILTER HOUSE KIT 449 HC	449	150	1.71	240	25	1955
14780352	TANK RETURN FILTER HOUSE KIT 549 HC	549	250	1.75	240	25	1955
14780353	TANK RETURN FILTER HOUSE KIT 649 HC	649	300	1.80	240	25	1955

* These filter house kits are including: Filter assembly, extension tube (except for 14780358), mounting kit and flat gasket

TANK RETURN FILTER KITS - PLATE VERSION

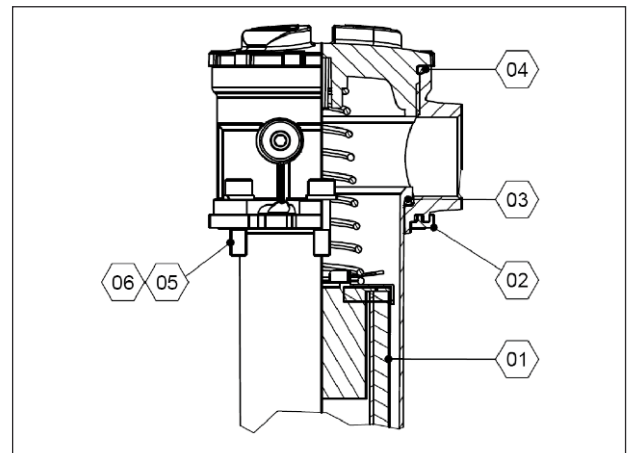
Part no.	Description	Inside length (mm)	Tube length (mm)	Weight (kg)	Nominal flow (l/min)	Filter element (µm)	Filter area (mm ²)
14895926	TANK RETURN FILTER PLATE KIT 323 HC	323	NO TUBE	1.63	240	25	1955
14895923	TANK RETURN FILTER PLATE KIT 469 HC	469	150	1.70	240	25	1955
14895924	TANK RETURN FILTER PLATE KIT 569 HC	569	250	1.75	240	25	1955
14895925	TANK RETURN FILTER PLATE KIT 669 HC	669	300	1.78	240	25	1955

* These filter plate kits are including: Filter assembly, extension tube (except for 14895926), mounting kit and flat gasket



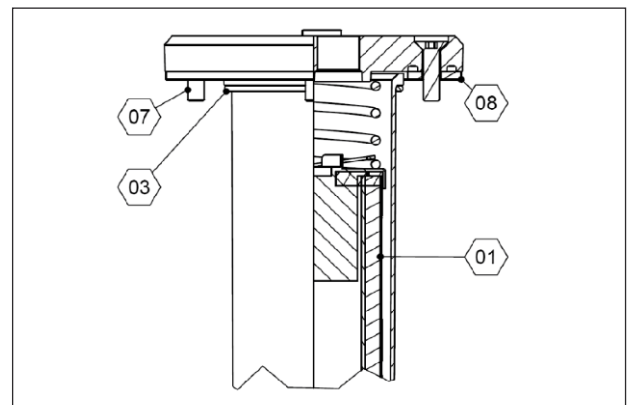
SPARE PARTS - HOUSE VERSION

Pos.	Part no.	Description	Qty
01	14896992	FILTER ELEMENT	1
-	14596971	SEAL KIT (PARTS 02, 03 & 04)	-
02	-	FLAT GASKET	1
03	-	BOWL O-RING	1
04	-	COVER O-RING	1
05	15013643	BOLT HSHC M8X1,25	4
06	15022020	WASHER M8	4



SPARE PARTS - PLATE VERSION

Pos.	Part no.	Description	Qty
01	14896992	FILTER ELEMENT	1
07	15012790	COUNTERSUNK BOLT M8	4
-	14896960	SEAL KIT (PARTS 03 & 08)	-
03	-	BOWL O-RING	1
08	-	PLATE O-RING	1



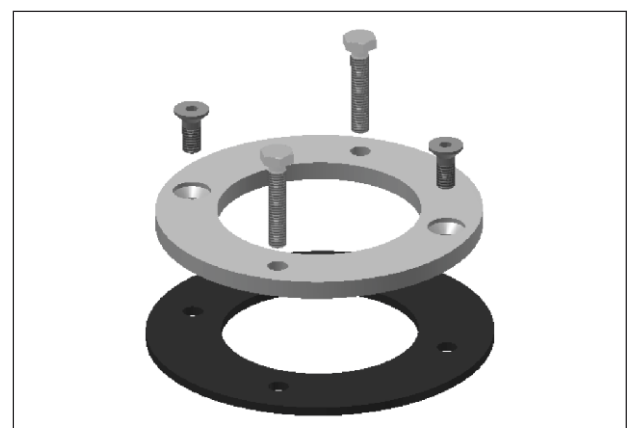
ADAPTOR KIT 90 DEGREES FOR PLATE FILTER

Part no.	Description	Weight (kg)
01317987	ADAPTOR KIT 90 FOR RETURN FILTER 1" BSPOTC	0.1



STRENGTHENING RING

Part no.	Description
14020509	Strengthening ring SM tank RF kit



110 countries
+3,500 employees
20,000 customers
+30 subsidiaries
12 production facilities



Hyva is a leading provider of innovative and highly efficient transport solutions for commercial vehicles used in transport, construction, mining, materials handling and environmental service industries.

Founded in 1979 in the Netherlands, the company has a global presence with more than 30 wholly owned subsidiaries, extraordinary service coverage and 12 manufacturing facilities in Brazil, China, Europe and India.

For more information on Hyva, please visit www.hyva.com

or follow us on:



Hyva Holding B.V.
Antonie van Leeuwenhoekweg 37
2408 AK Alphen aan den Rijn
The Netherlands
Telephone: +31 (0)172 - 42 35 55
Telefax: +31 (0)172 - 42 08 80
info@hyva.com
www.hyva.com



Quality and
environmental certified

DEALER STAMP