

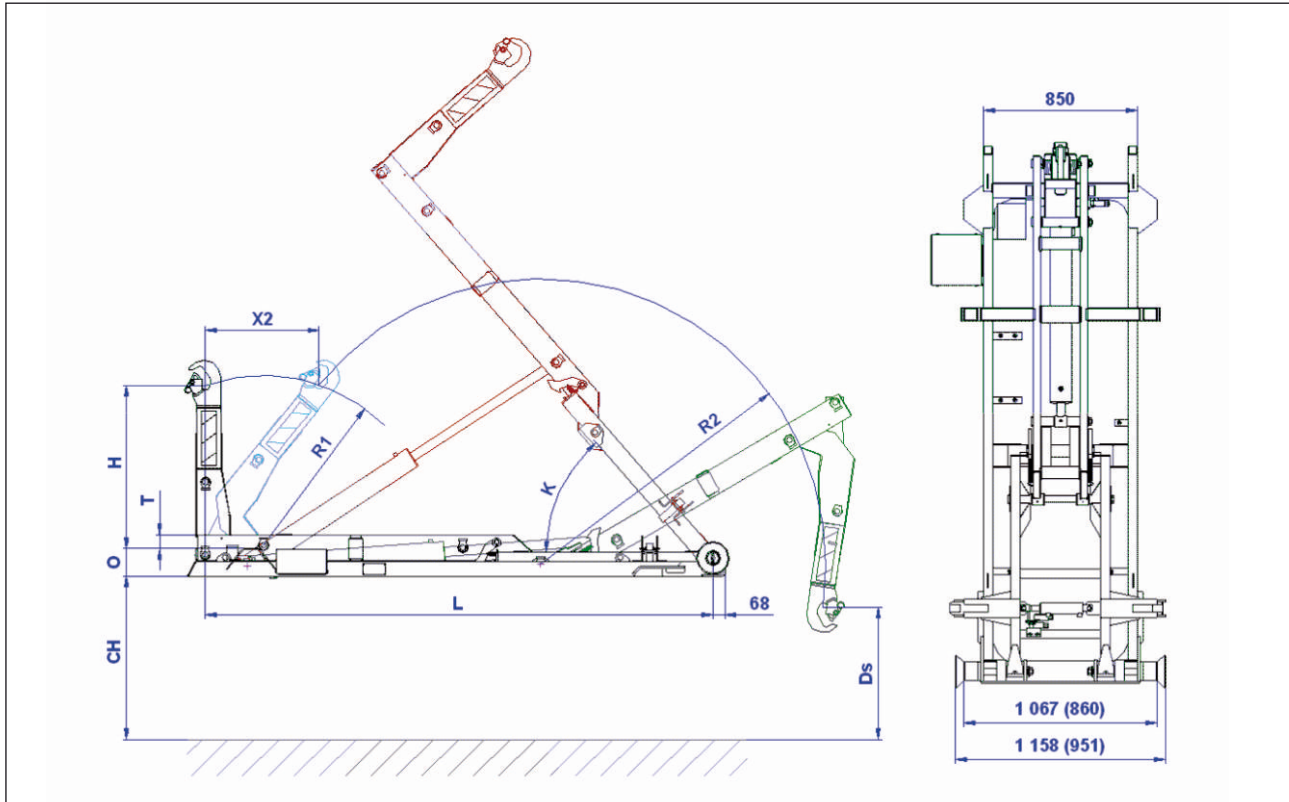


CATALOGUE
CITY HOOKLOADERS

CITY HOOKLOADER: 01-19-K.....	4
CITY HOOKLOADER: 03-23-K-DIN.....	5
CITY HOOKLOADER: 03-28-K-CTS.....	6
CITY HOOKLOADER: 03-28-K-DIN.....	7
CITY HOOKLOADER: 03-28-K-DIN-BOLTABLE.....	8
CITY HOOKLOADER: 03-32-K-CTS.....	9
CITY HOOKLOADER: 03-32-K-DIN.....	10
CITY HOOKLOADER: 03-32-K-DIN-BOLTABLE.....	11
CITY HOOKLOADER: 04-S-C.H.E.M.-PRO-BOLTABLE.....	12
CITY HOOKLOADER: 04-S-CTS-PRO.....	13
CITY HOOKLOADER: 04-S-DIN-PRO-BOLTABLE.....	14
CITY HOOKLOADER: 04-S-POL-PRO.....	15
CITY HOOKLOADER: 05-28-K-CTS.....	16
CITY HOOKLOADER: 05-28-K-DIN-BOLTABLE.....	17
CITY HOOKLOADER: 05-30-S-DIN-PRO.....	18
CITY HOOKLOADER: 05-32-K-C.H.E.M.-BOLTABLE.....	19
CITY HOOKLOADER: 05-32-K-CTS.....	20
CITY HOOKLOADER: 05-32-K-DIN-BOLTABLE.....	21
CITY HOOKLOADER: 06-S-C.H.E.M.-PRO-BOLTABLE.....	22
CITY HOOKLOADER: 06-S-DIN-PRO-BOLTABLE.....	23
CITY HOOKLOADER: 06-S-CTS-PRO.....	24
CITY HOOKLOADER: 06-S-POL-PRO.....	25
CITY HOOKLOADER: 08-S-C3D1.....	26
CITY HOOKLOADER: 08-S-C.H.E.M.-PRO-BOLTABLE.....	27
CITY HOOKLOADER: 08-S-CTS-PRO.....	28
CITY HOOKLOADER: 08-S-DIN-PRO-BOLTABLE.....	29
CITY HOOKLOADER: 08-S-POL-PRO.....	30
CITY HOOKLOADER: 10-S-C3D1.....	31
CITY HOOKLOADER: 10-S-C.H.E.M.....	32
CITY HOOKLOADER: 10-S-CTS.....	33
CITY HOOKLOADER: 10-S-CTS-BOLTABLE.....	34
CITY HOOKLOADER: 10-S-DIN.....	35
CITY HOOKLOADER: 10-S-DIN-BOLTABLE.....	36
CITY HOOKLOADER: 10-S-SC.....	37
CITY HOOKLOADER: 10-S-SC-BOLTABLE.....	38
CITY HOOKLOADER: 10-S-DIN_1570.....	39
CITY HOOKLOADER: 10-S-DIN_1570-BOLTABLE.....	40
CITY HOOKLOADER: 10-S-POL.....	41

H=700 CH=720 (mm)

Capacity class of the hookloader: 10 kN
Capacity class of the undercarriage (total weight): 2.2 tons



Type	01-19-K
Part no.	360471001
Description	Parameters
Lifting and tipping capacity (t)	1
Maximum pressure (MPa)	12
H (mm)	700
O (mm)	88
L (mm)	1900
X2 (mm)	420
K (°)	49
T (mm)	88
Ds (mm)	454
System weight incl. operating fluids (kg)	210
MIN./MAX. length of the container (m)	2.4/2.4

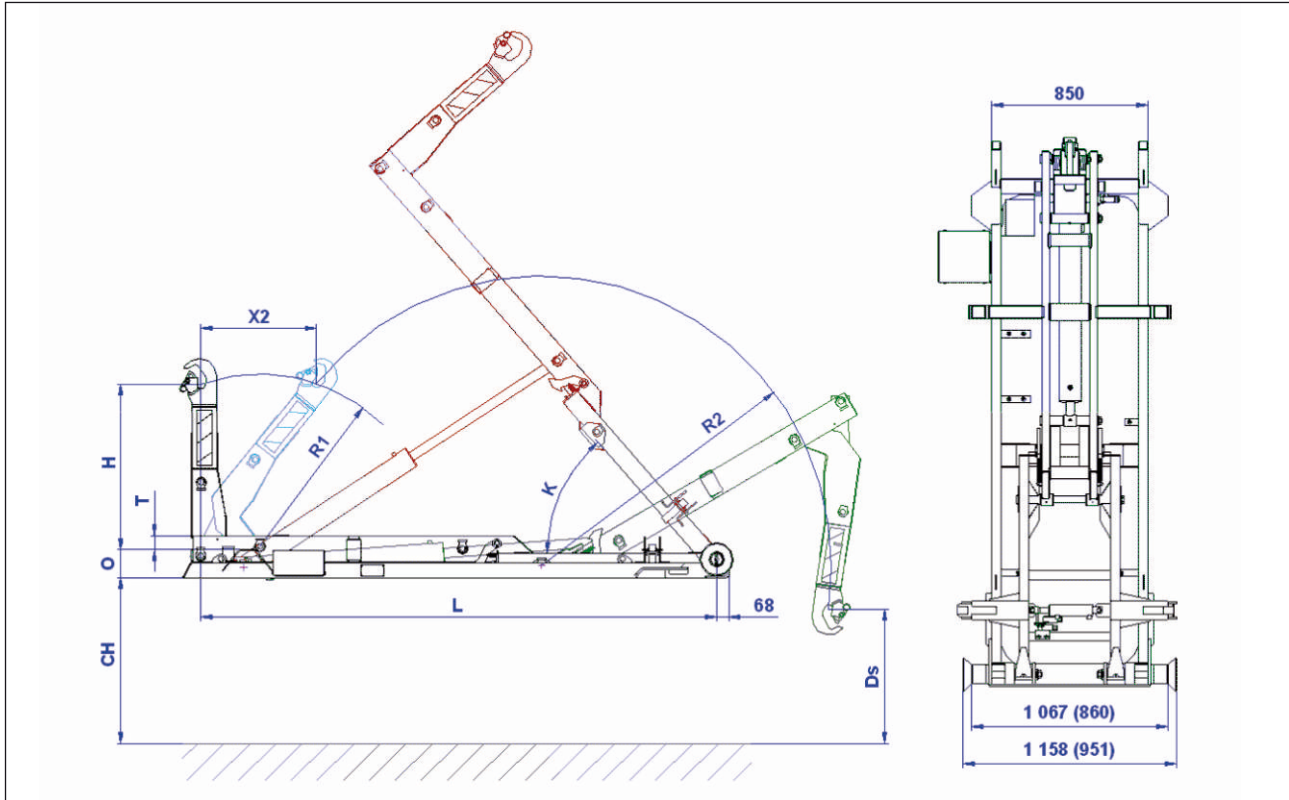
ATTENTION! Height of undercarriage reduces the capacity of the hookloader.

H = height of the pick-up hook (mm)
CH = height of the undercarriage (mm)

Recommended basic volume of oil tank: 5-10 lt.
Hydraulic requirements - recommended values: 6 lt./min. / 12 MPa
Electric requirements: 12V-7.5A or 24V-5A

H=900 CH=900 (mm)

Capacity class of the hookloader: 25 kN
Capacity class of the undercarriage (total weight): 3.5 - 8 tons



Type	03-23-K-DIN
Part no.	360471140
Description	Parameters
Lifting and tipping capacity (t)	2.5
Maximum pressure (MPa)	25
H (mm)	900
O (mm)	153
L (mm)	2300
X2 (mm)	640
K (°)	54
T (mm)	75
R1 (mm)	939
R2 (mm)	1426
Ds (mm)	825
System weight incl. operating fluids (kg)	405
MIN./MAX. length of the container (m)	2.5/2.9

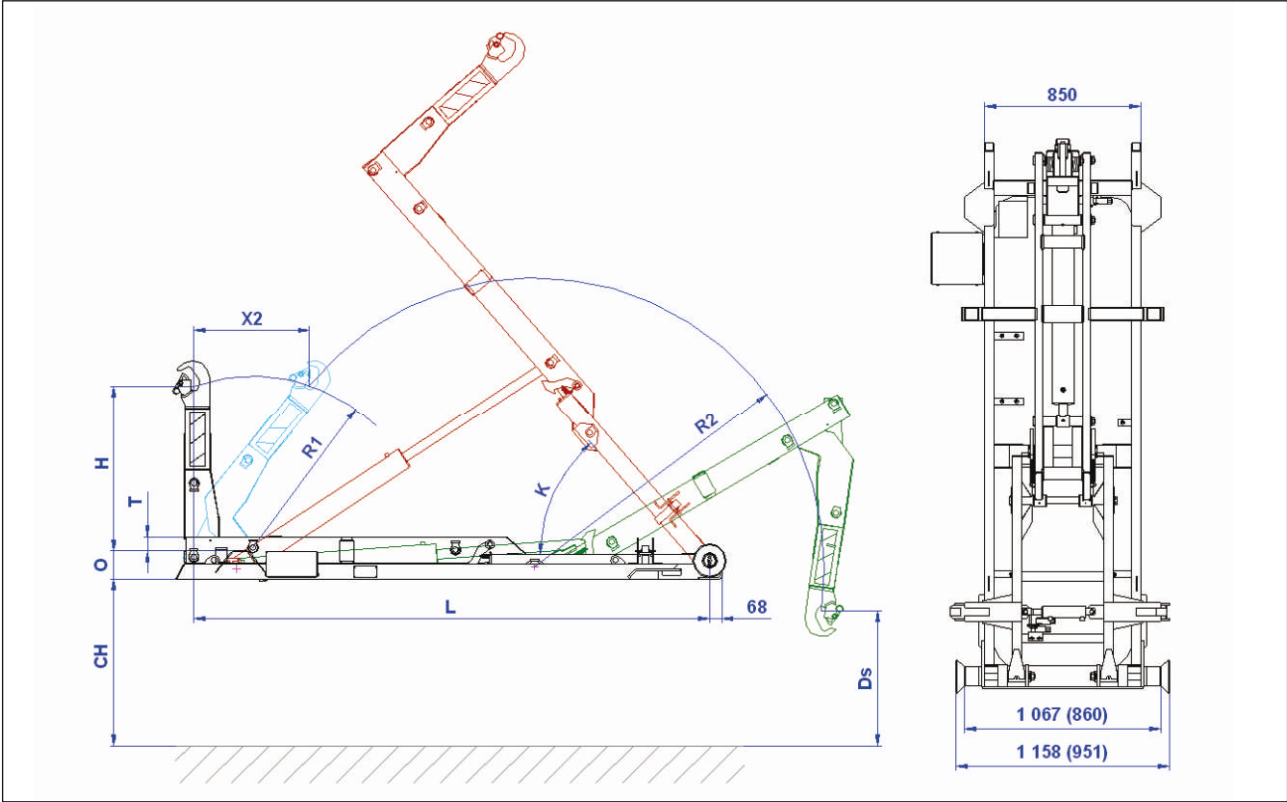
ATTENTION! Height of undercarriage reduces the capacity of the hookloader.

H = height of the pick-up hook (mm)
CH = height of the undercarriage (mm)

Recommended basic volume of oil tank: 10 lt.
Hydraulic requirements - recommended values: 17 (20) lt./min. / 28 MPa
Electric requirements: 12V-7.5A or 24V-5A



H=1000 CH=900 (mm)
Capacity class of the hookloader: 30 kN Capacity class of the undercarriage (total weight): 3.5 - 8 tons



Type	03-28-K-CTS
Part no.	360471152
Description	Parameters
Lifting and tipping capacity (t)	3
Maximum pressure (MPa)	25
H (mm)	1000
O (mm)	153
L (mm)	2800
X2 (mm)	627
K (°)	49
T (mm)	75
R1 (mm)	939
R2 (mm)	1575
Ds (mm)	730
System weight incl. operating fluids (kg)	425
MIN./MAX. length of the container (m)	3.2/3.4

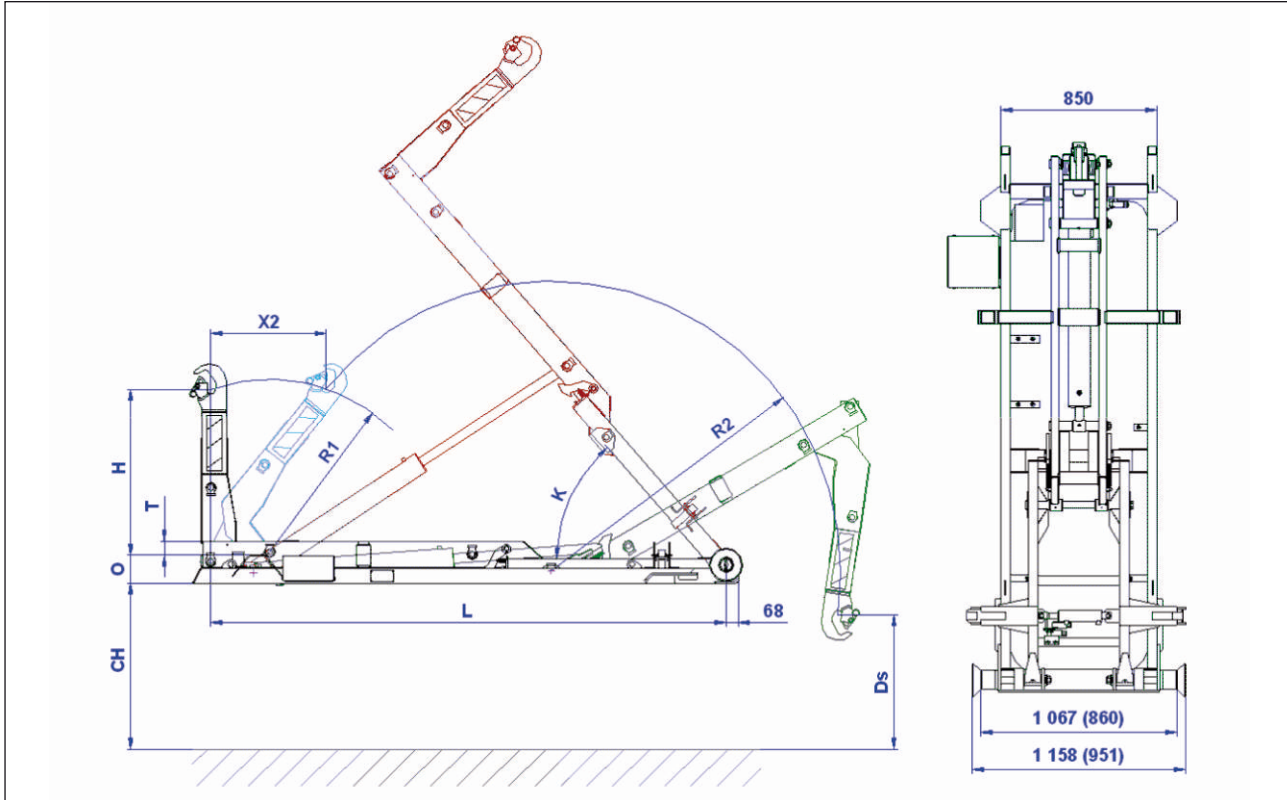
ATTENTION! Height of undercarriage reduces the capacity of the hookloader.

H = height of the pick-up hook (mm)
CH = height of the undercarriage (mm)

Recommended basic volume of oil tank: 10 lt.
Hydraulic requirements - recommended values: 17 (20) lt./min. / 28 MPa

H=900 CH=900 (mm)

Capacity class of the hookloader: 30 kN
Capacity class of the undercarriage (total weight): 3.5 - 8 tons



Type	03-28-K-DIN	03-28_860-K-DIN
Part no.	360471150	360471151
Description	Parameters	Parameters
Lifting and tipping capacity (t)	3	3
Maximum pressure (MPa)	25	25
H (mm)	900	900
O (mm)	153	153
L (mm)	2800	2800
X2 (mm)	627	627
K (°)	49	49
T (mm)	75	75
R1 (mm)	939	939
R2 (mm)	1575	1575
Ds (mm)	730	730
System weight incl. operating fluids (kg)	425	425
MIN./MAX. length of the container (m)	3.2/3.4	3.2/3.4

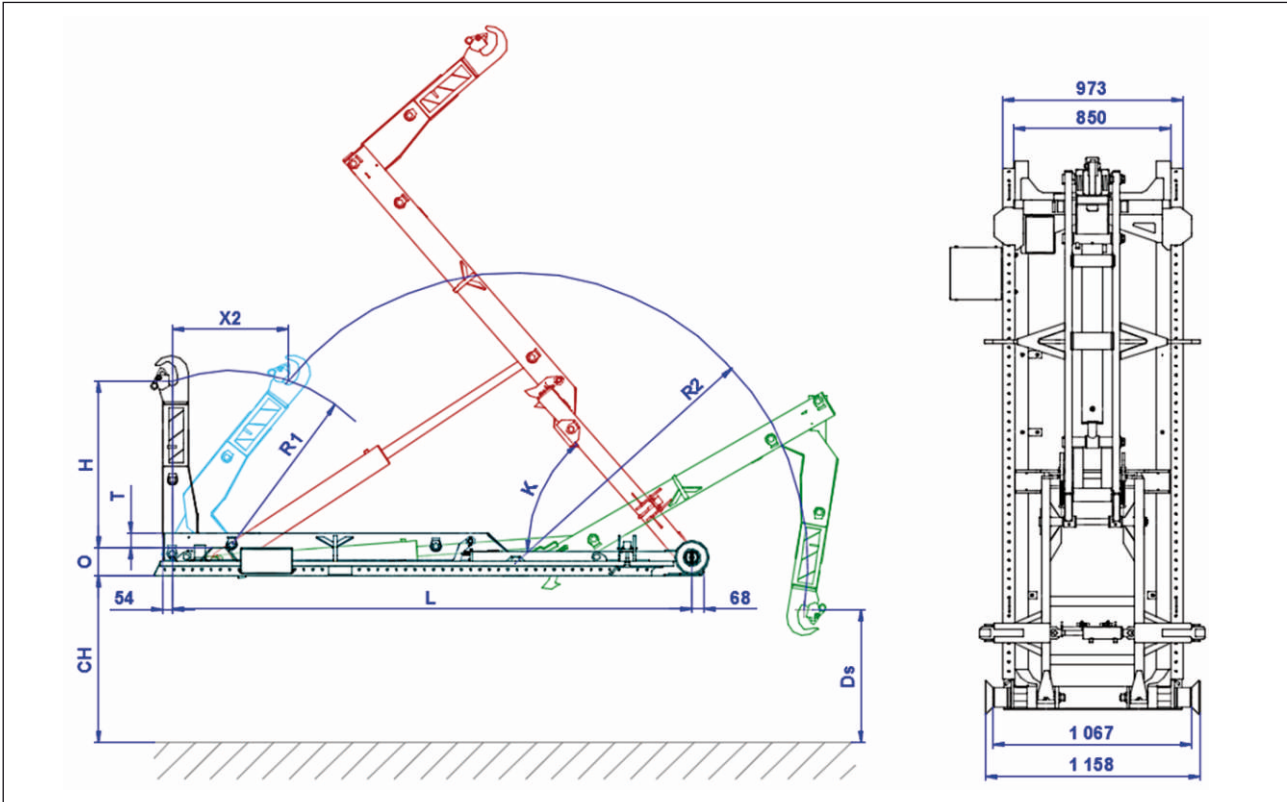
ATTENTION! Height of undercarriage reduces the capacity of the hookloader.

H = height of the pick-up hook (mm)
CH = height of the undercarriage (mm)

Recommended basic volume of oil tank: 10 lt.
Hydraulic requirements - recommended values: 17 (20) lt./min. / 28 MPa
Electric requirements: 12V-7.5A or 24V-5A

H=900 CH=900 (mm)

Capacity class of the hookloader: 30 kN
Capacity class of the undercarriage (total weight): 3.5 - 8 tons



Type	03-28-K-DIN-BOLTABLE
Part no.	360472354
Description	Parameters
Lifting and tipping capacity (t)	3
Maximum pressure (MPa)	25
H (mm)	900
O (mm)	153
L (mm)	2800
X2 (mm)	627
K (°)	49
T (mm)	75
R1 (mm)	939
R2 (mm)	1575
Ds (mm)	730
System weight incl. operating fluids (kg)	414
MIN./MAX. length of the container (m)	3.2/3.4

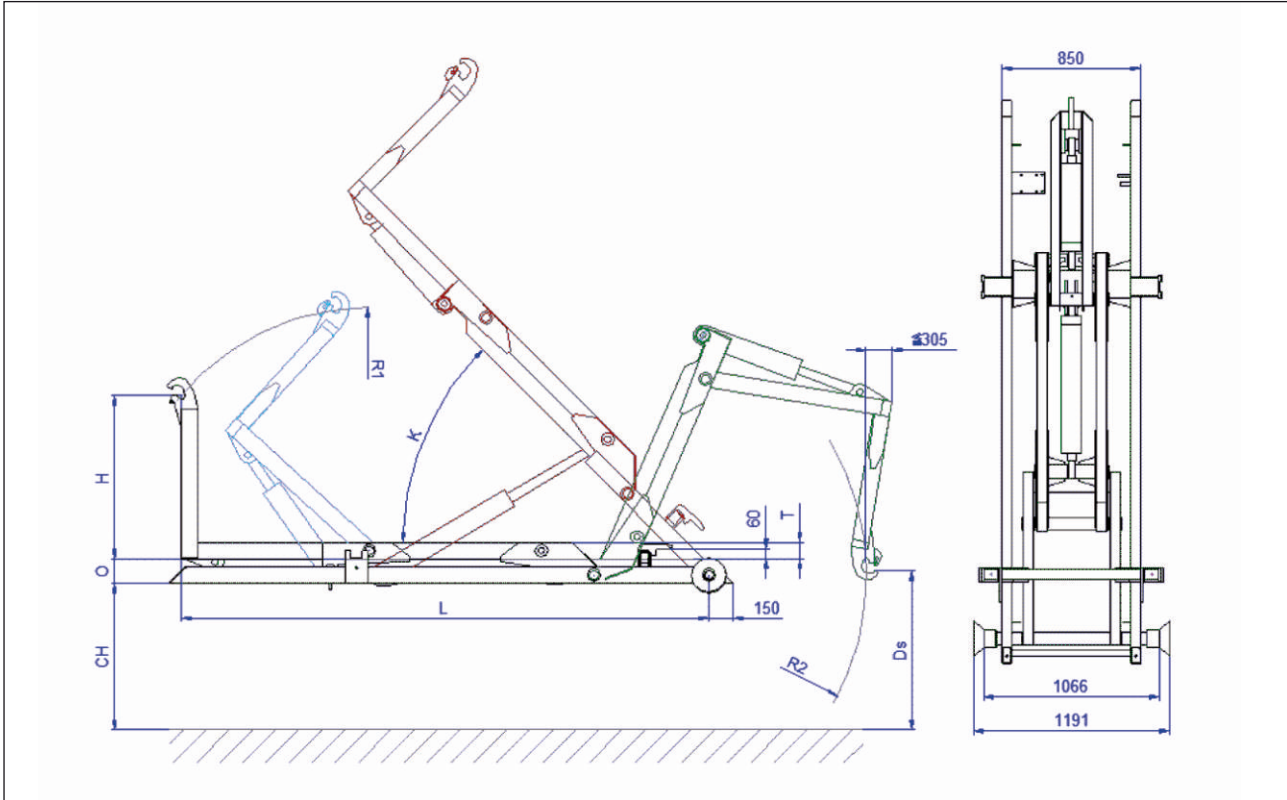
ATTENTION! Height of undercarriage reduces the capacity of the hookloader.

H = height of the pick-up hook (mm)
CH = height of the undercarriage (mm)

Recommended basic volume of oil tank: 10 lt.
Hydraulic requirements - recommended values: 17 (20) lt./min. / 25 MPa
Electric requirements: 12V-7.5A or 24V-5A

H=1000 CH=900 (mm)

Capacity class of the hookloader: 35 kN
Capacity class of the undercarriage (total weight): 6 - 8 tons



Type	03-32-K-CTS	03-32-K-CTS
Part no.	360090011	width 1060/1100 360090011 + adjustment to 361230204
Description	Parameters	Parameters
Lifting and tipping capacity (t)	3,5	3,5
Maximum pressure (MPa)	18	18
H (mm)	1000	1000
O (mm)	150	150
L (mm)	3230	3230
K (°)	46	46
T (mm)	100	100
R1 (mm)	1492	1492
R2 (mm)	1668	1668
Ds (mm)	833	833
System weight incl. operating fluids (kg)	600	600
MIN./MAX. length of the container (m)	3,8	3,8

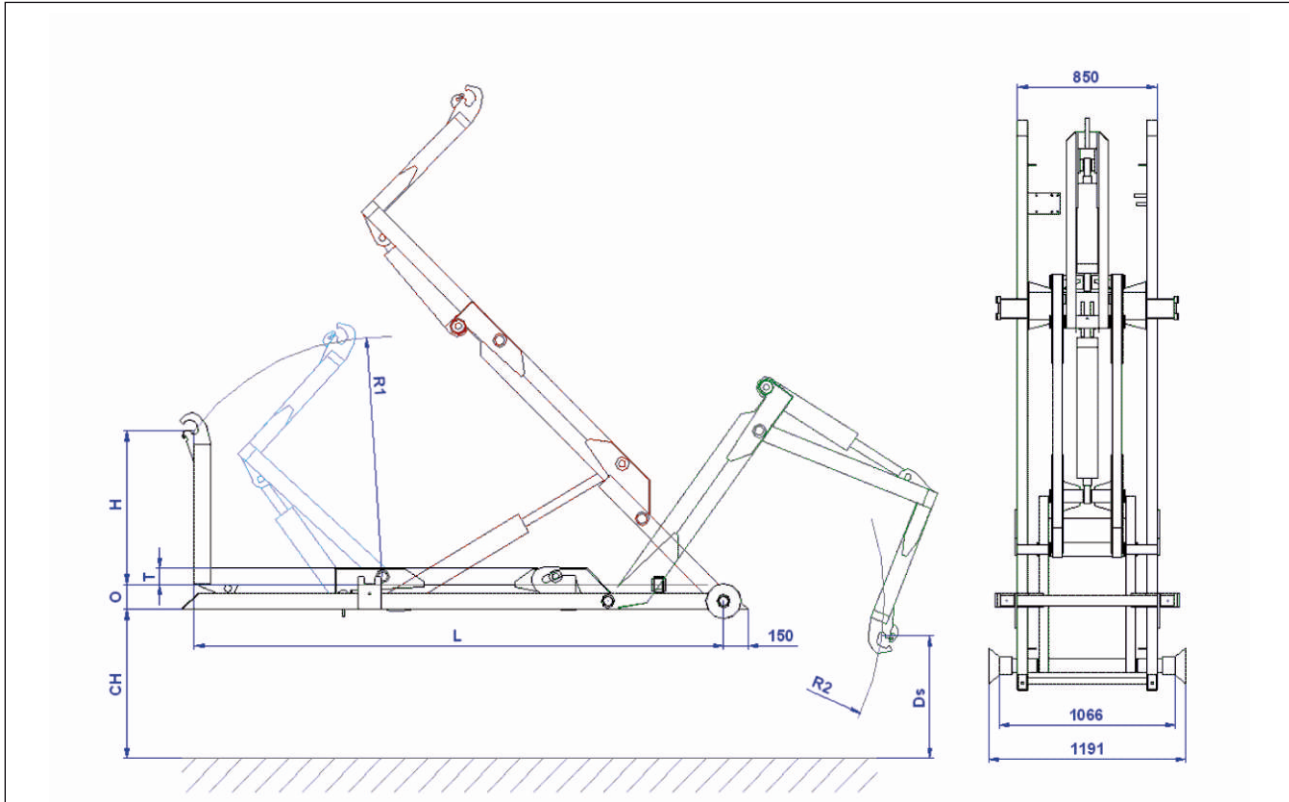
ATTENTION! Height of undercarriage reduces the capacity of the hookloader.

H = height of the pick-up hook (mm)
CH = height of the undercarriage (mm)

Recommended basic volume of oil tank: 10 lt.
Hydraulic requirements - recommended values: 17 (20) lt./min. / 28 MPa
Electric requirements: 12V-7.5A or 24V-5A



H=900 CH=900 (mm)	Capacity class of the hookloader: 35 kN Capacity class of the undercarriage (total weight): 6 - 8 tons
--------------------------	---



Type	03-32-K-DIN
Part no.	360470034
Description	Parameters
Lifting and tipping capacity (t)	3,5
Maximum pressure (MPa)	28
H (mm)	900
O (mm)	180
L (mm)	3230
K (°)	46
T (mm)	75
R1 (mm)	1448
R2 (mm)	1665
Ds (mm)	608
System weight incl. operating fluids (kg)	580
MIN./MAX. length of the container (m)	L2 = 3,75 L4 = 1,64

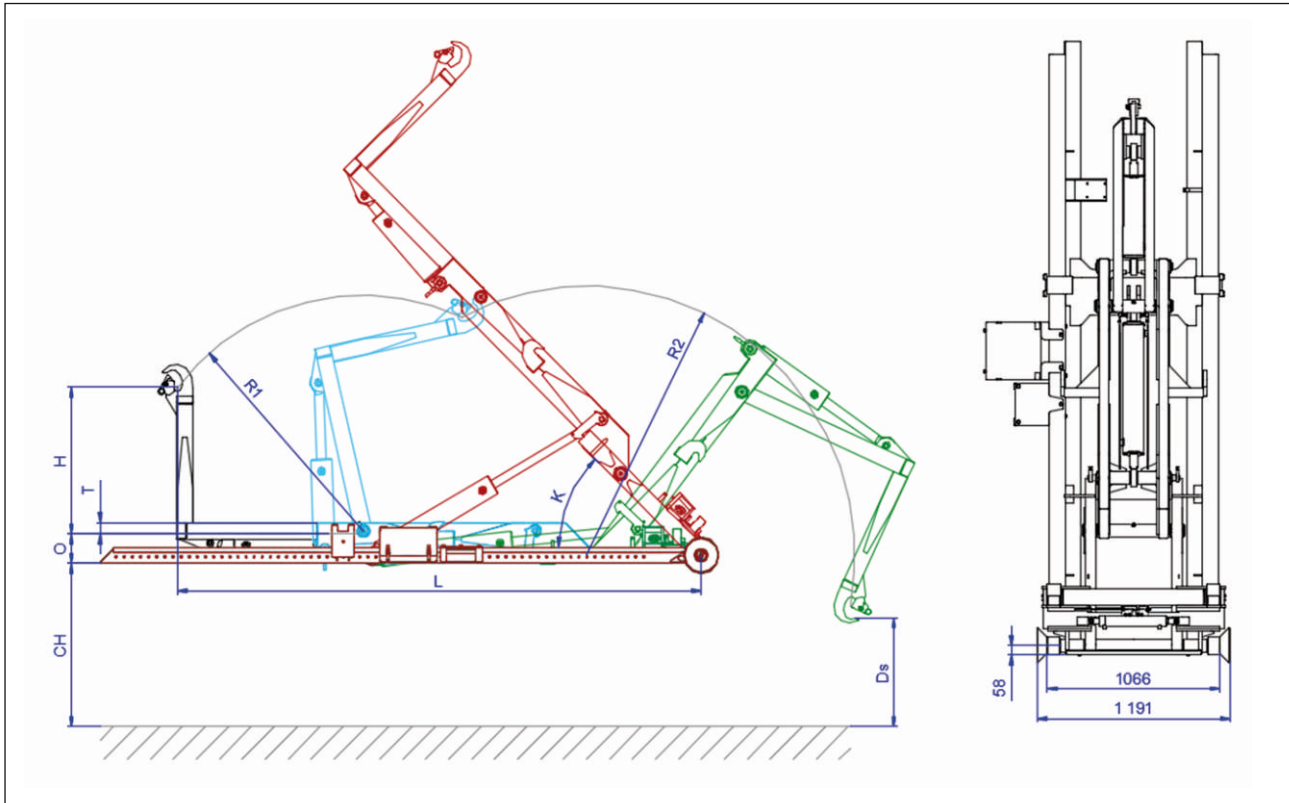
ATTENTION! Height of undercarriage reduces the capacity of the hookloader.

H = height of the pick-up hook (mm)
CH = height of the undercarriage (mm)

Recommended basic volume of oil tank: 10 lt.
Hydraulic requirements - recommended values: 17 (20) lt./min. / 28 MPa
Electric requirements: 12V-7.5A or 24V-5A

H=900 CH=900 (mm)

Capacity class of the hookloader: 35 kN
Capacity class of the undercarriage (total weight): 6 - 8 tons



Type	03-32-K-DIN-BOLTABLE
Part no.	360472356
Description	Parameters
Lifting and tipping capacity (t)	3.5
Maximum pressure (MPa)	28
H (mm)	900
O (mm)	180
L (mm)	3230
K (°)	46
T (mm)	75
R1 (mm)	1448
R2 (mm)	1665
Ds (mm)	608
System weight incl. operating fluids (kg)	615
MIN./MAX. length of the container (m)	L2 = 3.75 L4 = 1.64

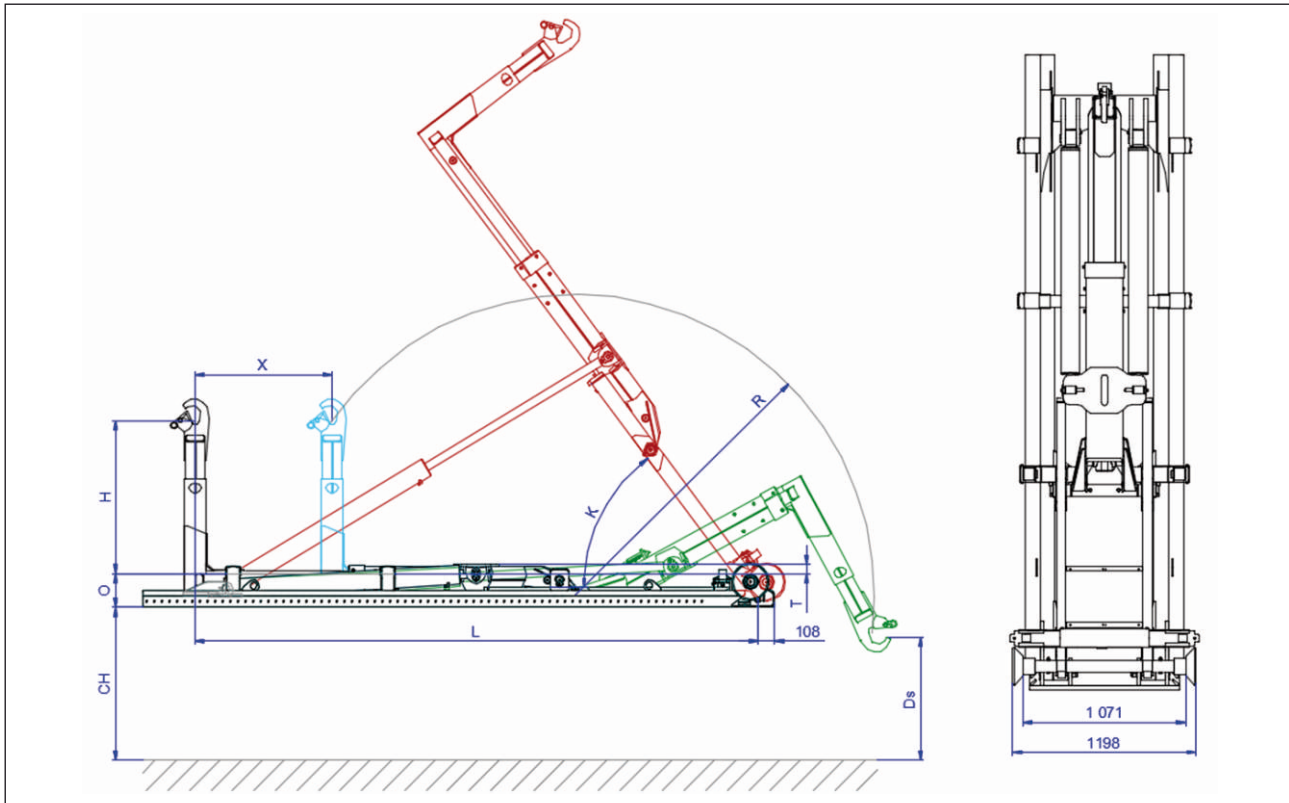
ATTENTION! Height of undercarriage reduces the capacity of the hookloader.

H = height of the pick-up hook (mm)
CH = height of the undercarriage (mm)

Recommended basic volume of oil tank: 10 lt.
Hydraulic requirements - recommended values: 17 (20) lt./min. / 28 MPa
Electric requirements: 12V-7.5A or 24V-5A

H=930 CH=900 (mm)

Capacity class of the hookloader: 49 kN
Capacity class of the undercarriage (total weight): 6 - 8 tons



Type	04-33-S-C.H.E.M.-BOLT.	04-37-S-C.H.E.M.-BOLT.	04-41-S-C.H.E.M.-BOLT.
Part no.	360472375	360472377	360472364
Description	Parameters	Parameters	Parameters
Lifting and tipping capacity (t)	4.9	4.9	4.9
Maximum pressure (MPa)	28	28	28
H (mm)	930	930	930
O (mm)	220	220	220
L (mm)	3300	3700	4100
X (mm)	700	900	900
K (°)	58	53	53
T (mm)	61	61	61
R (mm)	1925	1925	2094
Ds (mm)	792	792	811
System weight without operating fluids (kg)	732	751	802
MIN./OPTIM./MAX. length of the container (m)	Typ N: 3.9 Typ L: 4.4		3.4 / 4.7 / 5.2

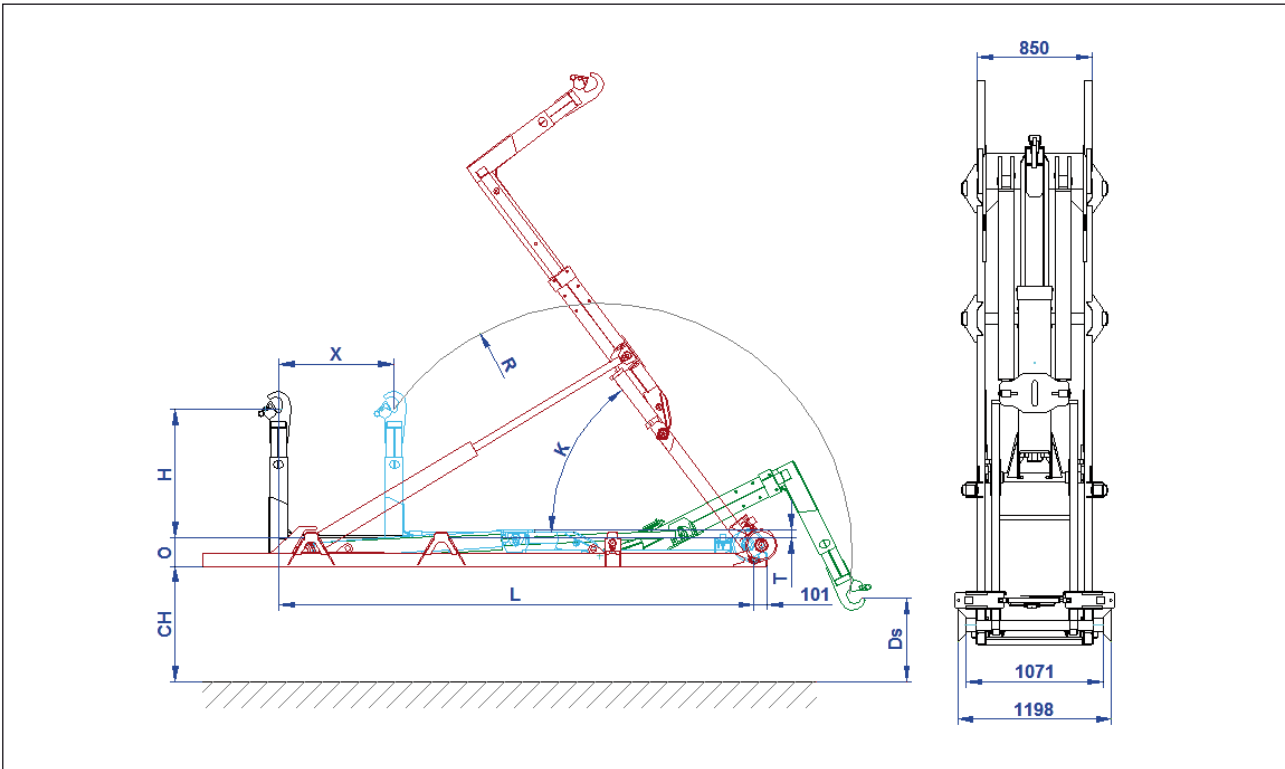
ATTENTION! Maximum length of containers with telescopic bumper only
Height of undercarriage reduces the capacity of the hookloader.

H = height of the pick-up hook (mm)
CH = height of the undercarriage (mm)

Recommended basic volume of oil tank: 28 lt.
Hydraulic requirements - recommended values: 24-35 lt./min. / 28 MPa
Electric requirements: 12V-7.5A or 24V-5A

H=1000 CH=1000 (mm)

Capacity class of the hookloader: 49 kN
Capacity class of the undercarriage (total weight): 6 - 8 tons



Type	04-33-S-CTS	04-33-S-CTS	04-37-S-CTS	04-41-S-CTS
Part no.	360471230	width 1060/1100 360471230 + adjustment to 361230210	360471240	360471250
Description	Parameters	Parameters	Parameters	Parameters
Lifting and tipping capacity (t)	4.9	4.9	4.9	4.9
Maximum pressure (MPa)	28	28	28	28
H (mm)	1000	1000	1000	1000
O (mm)	220	220	220	220
L (mm)	3300	3300	3700	4100
X (mm)	700	700	900	900
K (°)	58	58	53	53
T (mm)	61	61	61	61
R (mm)	1965	1965	1965	2131
Ds (mm)	804	804	804	822
System weight without operating fluids (kg)	717	717	734	782
MIN./OPTIM./MAX. length of the container (m)	2.8 / 3.7-3.8 / 4.3	2.8 / 3.7-3.8 / 4.3	3.2 / 4.2-4.5 / 4.6	3.4 / 4.7 / 5.2

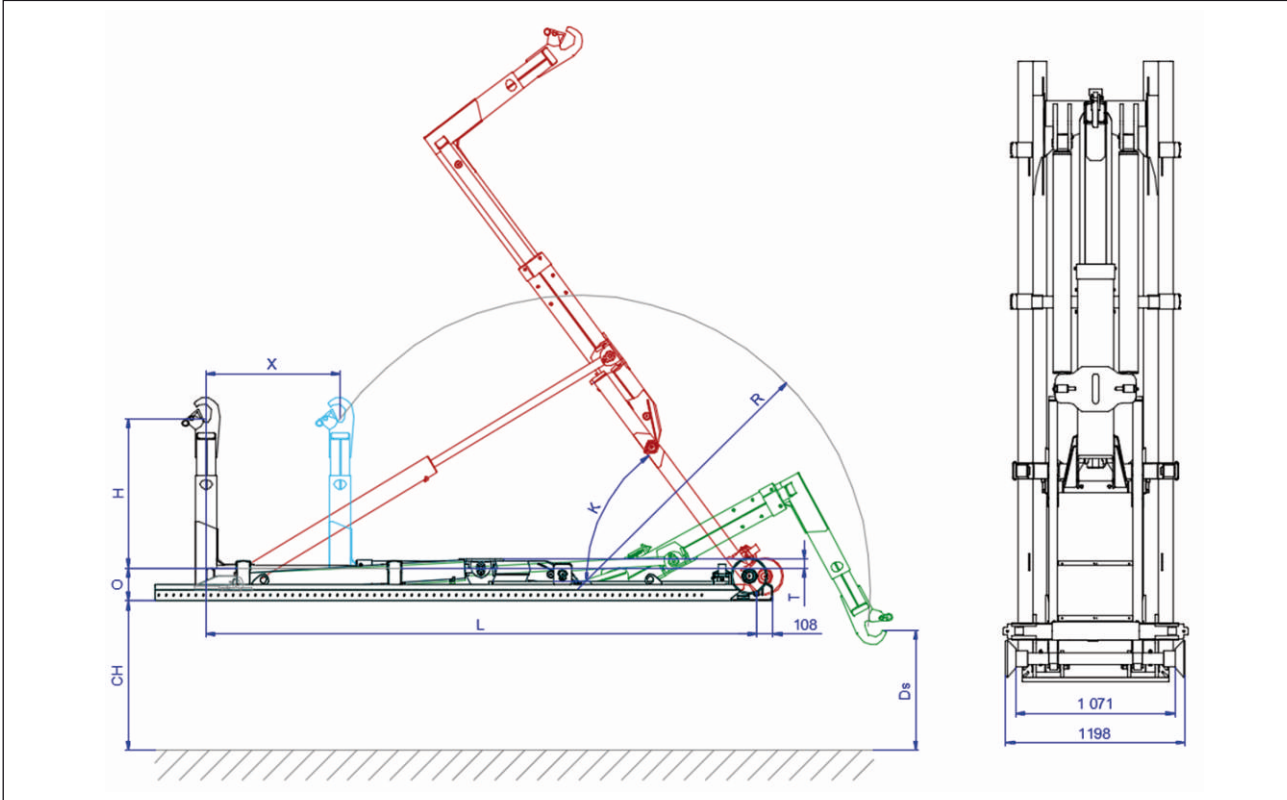
ATTENTION! Maximum length of containers with telescopic bumper only
Height of undercarriage reduces the capacity of the hookloader.

H = height of the pick-up hook (mm)
CH = height of the undercarriage (mm)

Recommended basic volume of oil tank: 28 lt.
Hydraulic requirements - recommended values: 24-35 lt./min. / 28 MPa
Electric requirements: 12V-7.5A or 24V-5A

H=900 CH=900 (mm)

Capacity class of the hookloader: 49 kN
Capacity class of the undercarriage (total weight): 6 - 8 tons



Type	04-33-S-DIN-BOLT.	04-37-S-DIN-BOLT.	04-41-S-DIN-BOLT.
Part no.	360472360	360472362	360472364
Description	Parameters	Parameters	Parameters
Lifting and tipping capacity (t)	4.9	4.9	4.9
Maximum pressure (MPa)	28	28	28
H (mm)	900	900	900
O (mm)	220	220	220
L (mm)	3300	3700	4100
X (mm)	700	900	900
K (°)	58	53	53
T (mm)	61	61	61
R (mm)	1908	1908	2079
Ds (mm)	792	792	811
System weight without operating fluids (kg)	732	751	802
MIN./OPTIM./MAX. length of the container (m)	2.8 / 3.7-3.8 / 4.3	3.2 / 4.2-4.5 / 4.6	3.4 / 4.7 / 5.2

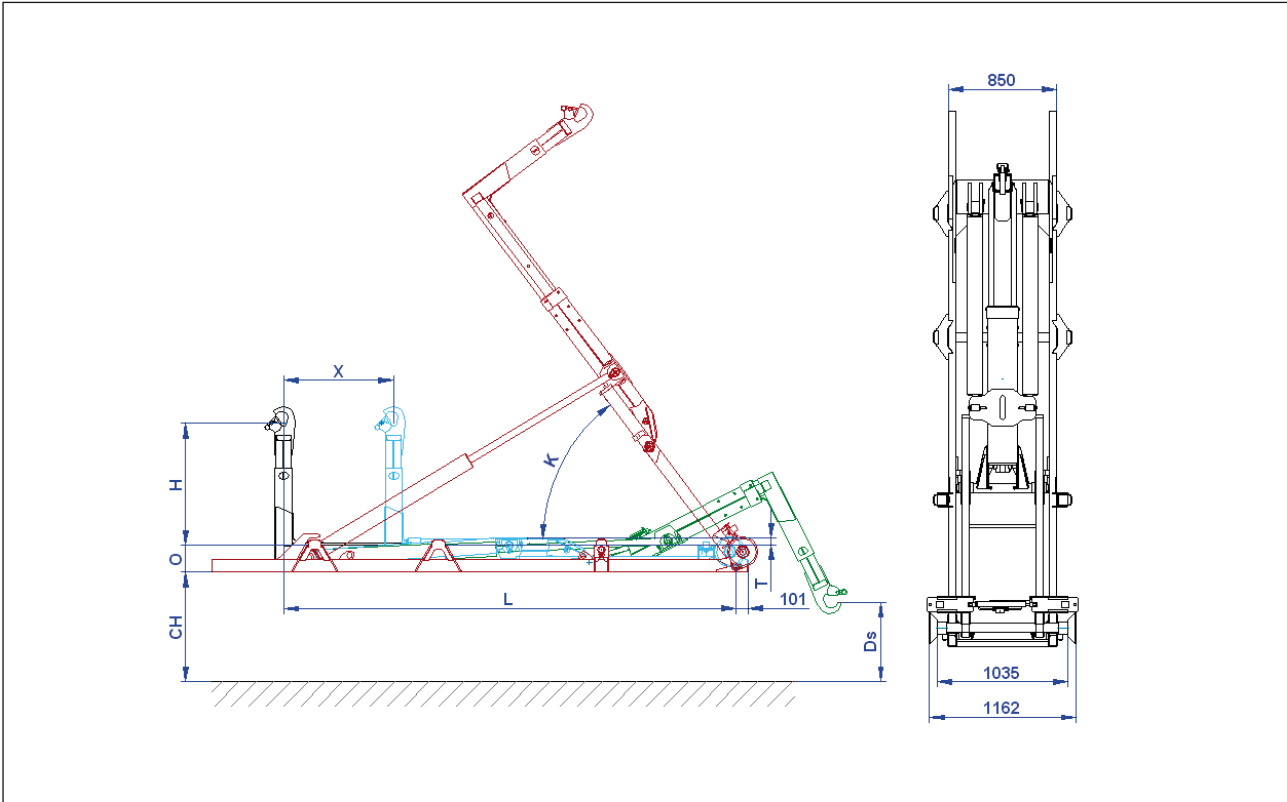
ATTENTION! Maximum length of containers with telescopic bumper only
Height of undercarriage reduces the capacity of the hookloader.

H = height of the pick-up hook (mm)
CH = height of the undercarriage (mm)

Recommended basic volume of oil tank: 28 lt.
Hydraulic requirements - recommended values: 24-35 lt./min. / 28 MPa
Electric requirements: 12V-7.5A or 24V-5A



H=1190 CH=1050 (mm)	Capacity class of the hookloader: 49 kN Capacity class of the undercarriage (total weight): 6 - 8 tons
----------------------------	---



Type	04-33-S-POL	04-37-S-POL
Part no.	360471233	360471243
Description	Parameters	Parameters
Lifting and tipping capacity (t)	4.9	4.9
Maximum pressure (MPa)	28	28
H (mm)	1190	1190
O (mm)	220	220
L (mm)	3300	3700
X (mm)	700	900
K (°)	58	53
T (mm)	61	61
Ds (mm)	687	687
System weight without operating fluids (kg)	720	739
MIN./MAX. length of the container (m)	PZK-7: 3.6 PZK-9: 4.2	PZK-9: 4.24

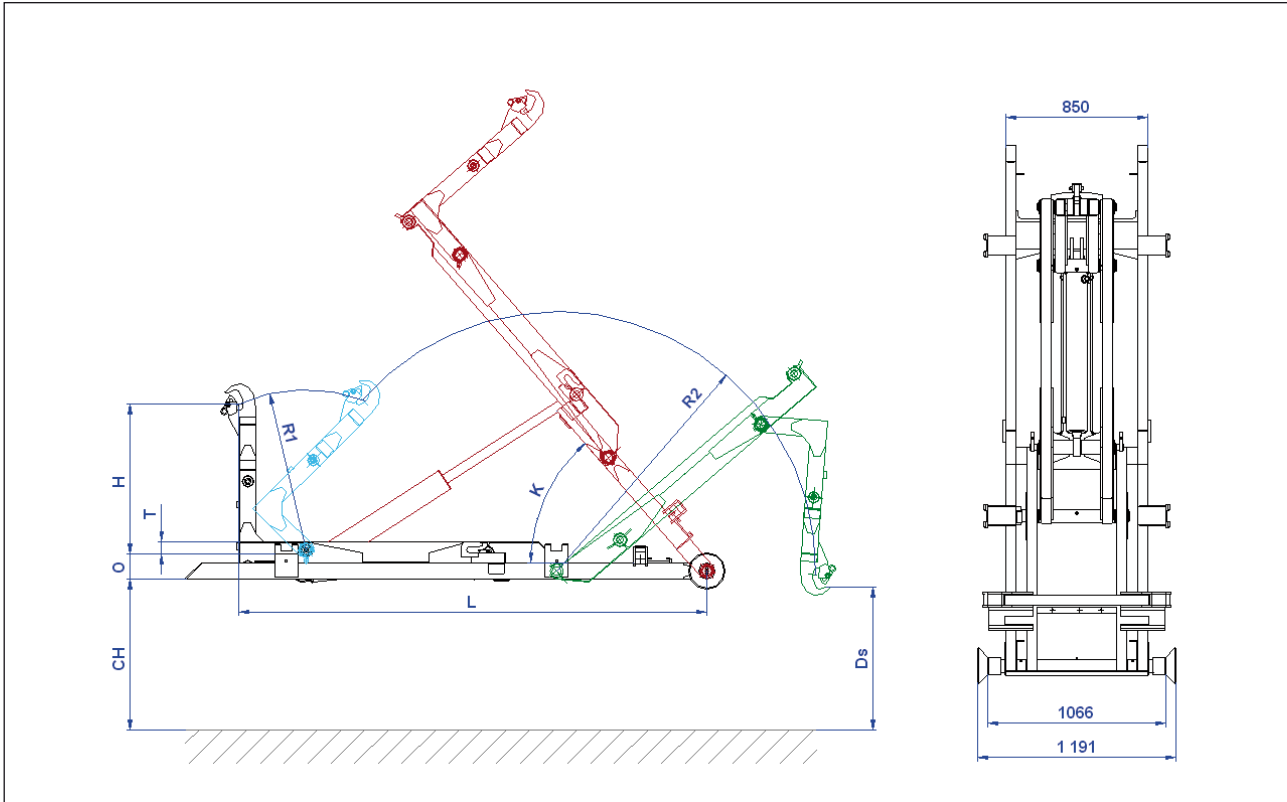
ATTENTION! Maximum length of containers with telescopic bumper only
Height of undercarriage reduces the capacity of the hookloader.

H = height of the pick-up hook (mm)
CH = height of the undercarriage (mm)

Recommended basic volume of oil tank: 28 lt.
Hydraulic requirements - recommended values: 24-35 lt./min. / 28 MPa
Electric requirements: 12V-7.5A or 24V-5A

H=1000 CH=900 (mm)

Capacity class of the hookloader: 50 kN
Capacity class of the undercarriage (total weight): 6 - 8 tons



Type	05-28-K-CTS	05-28-K-CTS
Part no.	360471301	width 1060/1100 360471301 + adjustment to 361230206
Description	Parameters	Parameters
Lifting and tipping capacity (t)	5	5
Maximum pressure (MPa)	28	28
H (mm)	1000	1000
O (mm)	150	150
L (mm)	2800	2800
K (°)	49	49
T (mm)	75	75
R1 (mm)	1054	1054
R2 (mm)	1556	1556
Ds (mm)	826	826
System weight incl. operating fluids (kg)	590	590
MIN./MAX. length of the container (m)	3,4	3,4

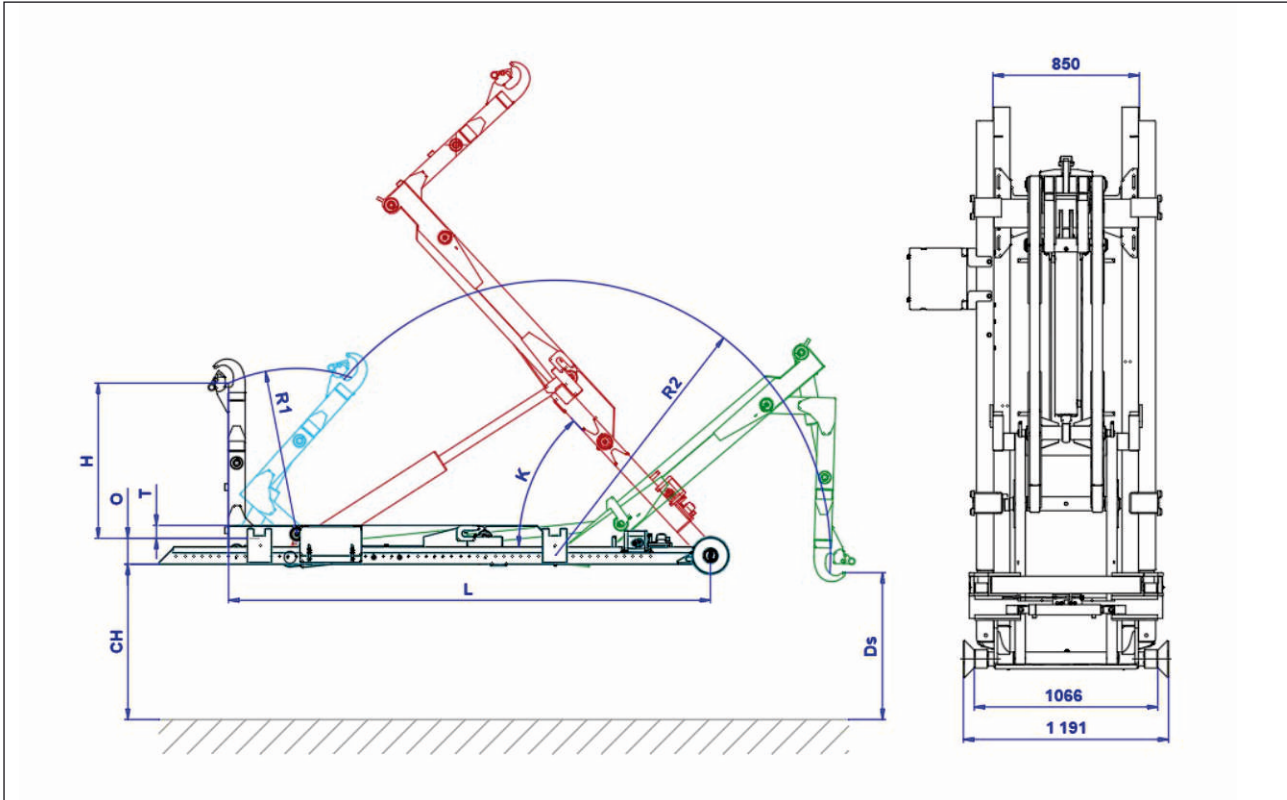
ATTENTION! Height of undercarriage reduces the capacity of the hookloader.

H = height of the pick-up hook (mm)
CH = height of the undercarriage (mm)

Recommended basic volume of oil tank: 10 lt.
Hydraulic requirements - recommended values: 17 (20) lt./min. / 28 MPa
Electric requirements: 12V-7,5A or 24V-5A

H=900 CH=900 (mm)

Capacity class of the hookloader: 50 kN
Capacity class of the undercarriage (total weight): 6 - 8 tons



Type	05-28-K-DIN-BOLT.
Part no.	360472357
Description	Parameters
Lifting and tipping capacity (t)	5
Maximum pressure (MPa)	28
H (mm)	900
O (mm)	150
L (mm)	2796
K (°)	47
T (mm)	75
R1 (mm)	960
R2 (mm)	1596
Ds (mm)	855
System weight incl. operating fluids (kg)	600
MIN./MAX. length of the container (m)	3.4 L4 = 1.385

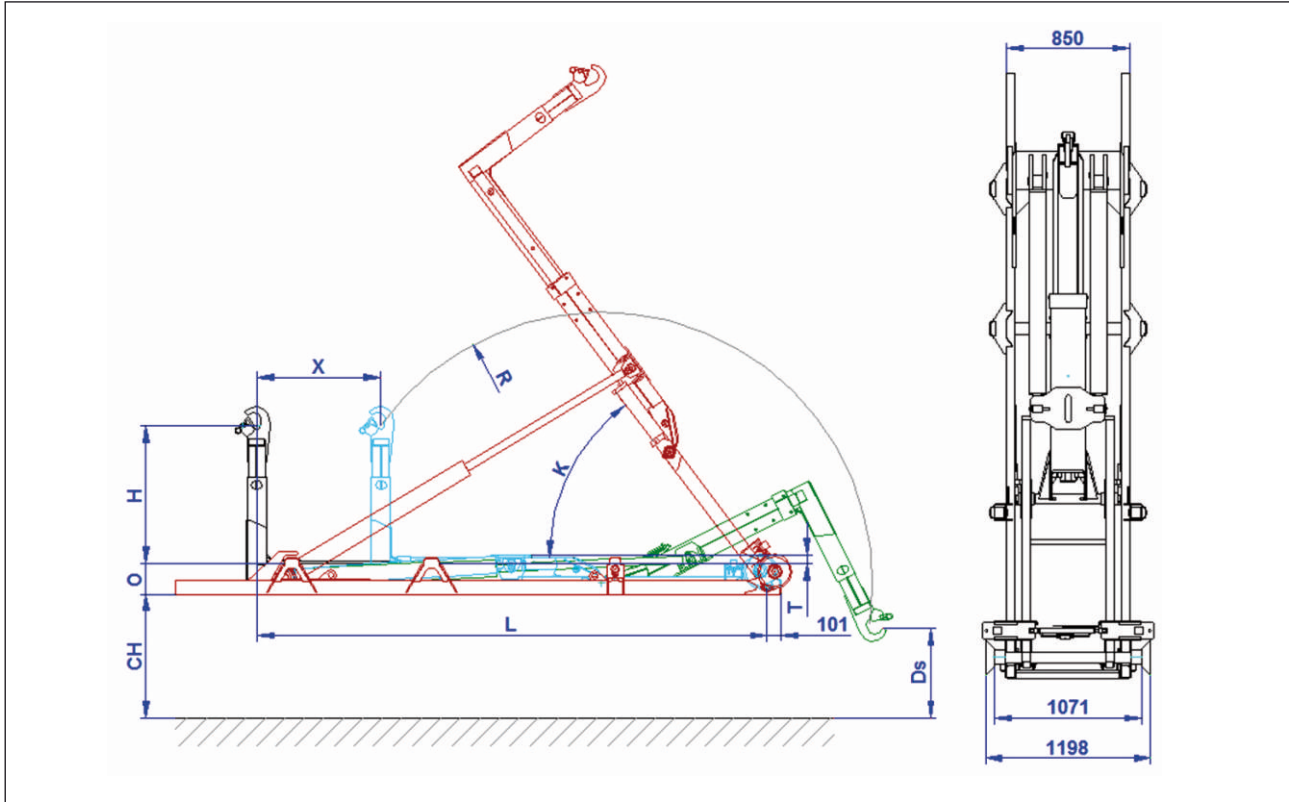
ATTENTION! Height of undercarriage reduces the capacity of the hookloader.

H = height of the pick-up hook (mm)
CH = height of the undercarriage (mm)

Recommended basic volume of oil tank: 10 lt.
Hydraulic requirements - recommended values: 17 (20) lt./min. / 28 MPa
Electric requirements: 12V-7.5A or 24V-5A

H=900 CH=900 (mm)

Capacity class of the hookloader: 50 kN
Capacity class of the undercarriage (total weight): 6 - 8 tons



Type	05-30-S-DIN
Part no.	360471307
Description	Parameters
Lifting and tipping capacity (t)	5
Maximum pressure (MPa)	28
H (mm)	900
O (mm)	220
L (mm)	3000
X (mm)	650
K (°)	50
T (mm)	61
R (mm)	1704
Ds (mm)	782
System weight without operating fluids (kg)	724
MIN./OPTIM./MAX. length of the container (m)	2.7 / 3.5 / 3.6

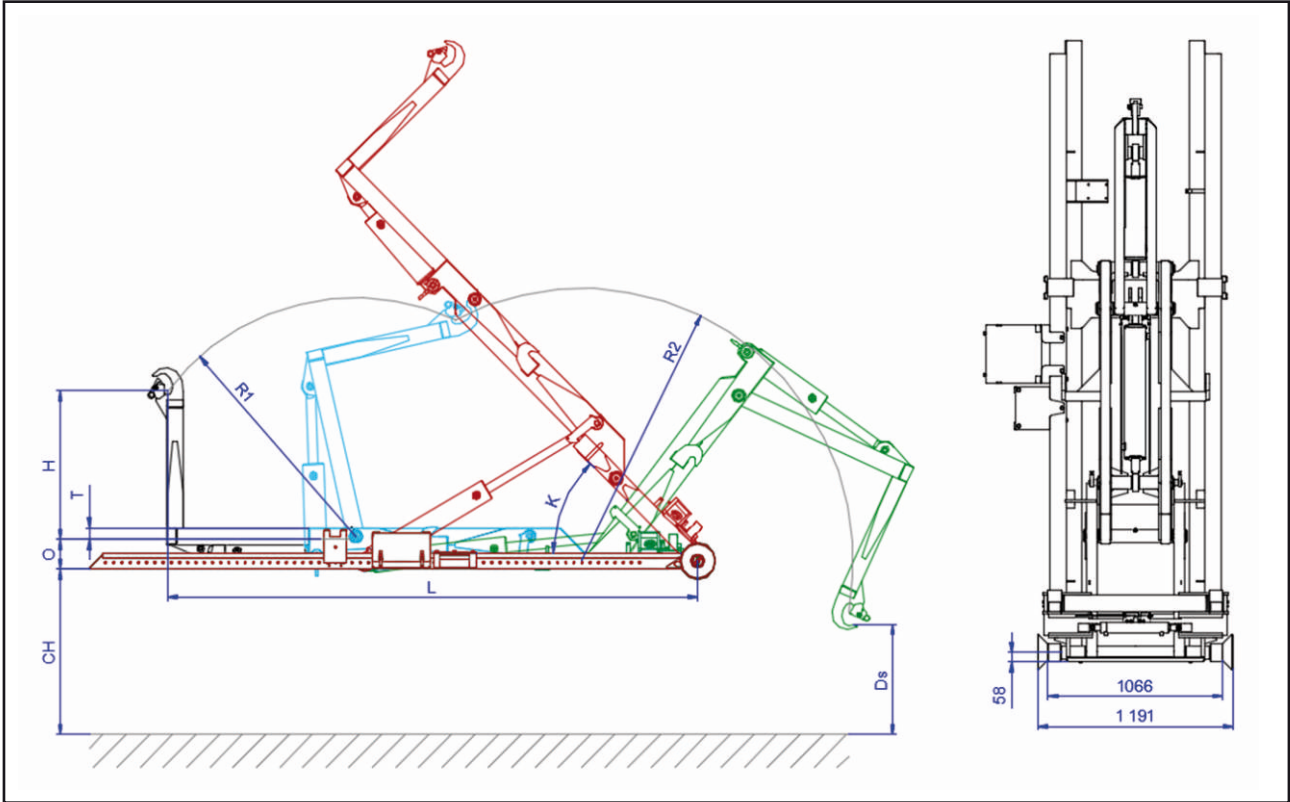
ATTENTION! Height of undercarriage reduces the capacity of the hookloader.

H = height of the pick-up hook (mm)
CH = height of the undercarriage (mm)

Recommended basic volume of oil tank: 28 lt.
Hydraulic requirements - recommended values: 28-35 lt./min. / 28 MPa
Electric requirements: 12V-7.5A or 24V-5A

H=930 CH=900 (mm)

Capacity class of the hookloader: 50 kN
Capacity class of the undercarriage (total weight): 6 - 8 tons



Type	05-32-K-C.H.E.M.-BOLTABLE
Part no.	360472355
Description	Parameters
Lifting and tipping capacity (t)	5
Maximum pressure (MPa)	28
H (mm)	900
O (mm)	150
L (mm)	3230
K (°)	46
T (mm)	100
R1 (mm)	1448
R2 (mm)	1685
Ds (mm)	742
System weight incl. operating fluids (kg)	615
MIN./MAX. length of the container (m)	Type N: 3.99 L4 = 2.16

ATTENTION! Height of undercarriage reduces the capacity of the hookloader.

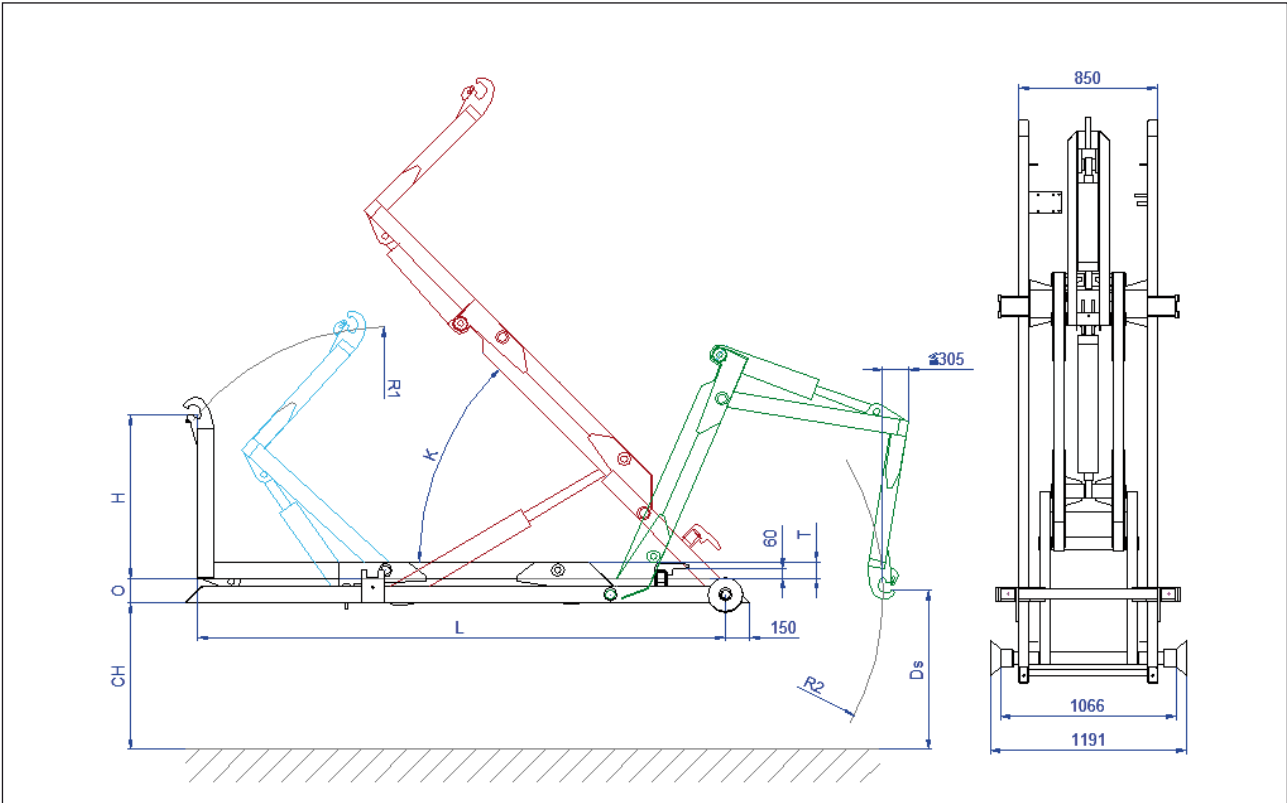
H = height of the pick-up hook (mm)
CH = height of the undercarriage (mm)

Recommended basic volume of oil tank: 10 lt.
Hydraulic requirements - recommended values: 17 (20) lt./min. / 28 MPa
Electric requirements: 12V-7.5A or 24V-5A



H=1000 CH=900 (mm)

Capacity class of the hookloader: 50 kN
Capacity class of the undercarriage (total weight): 6 - 8 tons



Type	05-32-K-CTS	05-32-K-CTS
Part no.	360470007	width 1060/1100 360470007 + adjustment to 361230204
Description	Parameters	Parameters
Lifting and tipping capacity (t)	5	5
Maximum pressure (MPa)	28	28
H (mm)	1000	1000
O (mm)	150	150
L (mm)	3230	3230
K (°)	46	46
T (mm)	100	100
R1 (mm)	1492	1492
R2 (mm)	1668	1668
Ds (mm)	833	833
System weight incl. operating fluids (kg)	620	620
MIN./MAX. length of the container (m)	3.8	3.8

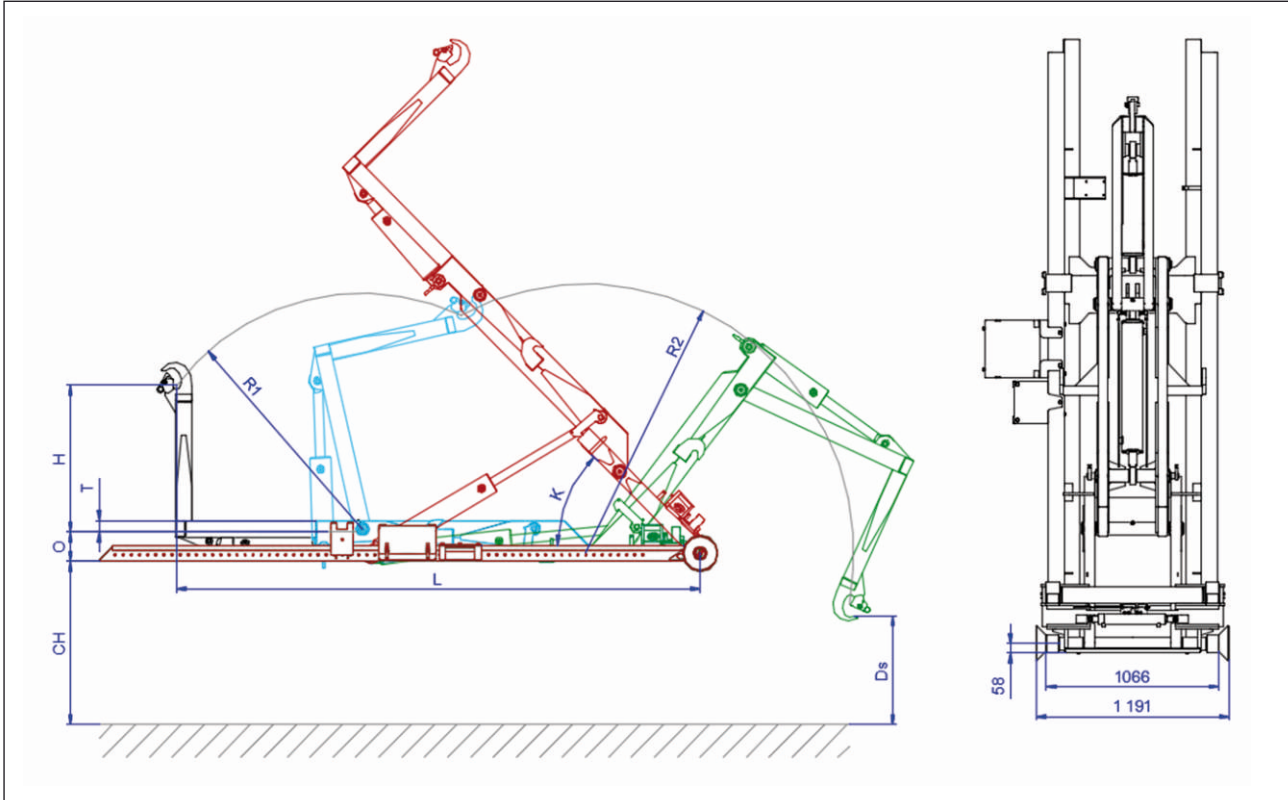
ATTENTION! Height of undercarriage reduces the capacity of the hookloader.

H = height of the pick-up hook (mm)
CH = height of the undercarriage (mm)

Recommended basic volume of oil tank: 10 lt.
Hydraulic requirements - recommended values: 17 (20) lt./min. / 28 MPa
Electric requirements: 12V-7.5A or 24V-5A

H=900 CH=900 (mm)

Capacity class of the hookloader: 50 kN
Capacity class of the undercarriage (total weight): 6 - 8 tons



Type	05-32-K-DIN-BOLTABLE
Part no.	360472356
Description	Parameters
Lifting and tipping capacity (t)	5
Maximum pressure (MPa)	28
H (mm)	900
O (mm)	180
L (mm)	3230
K (°)	46
T (mm)	75
R1 (mm)	1448
R2 (mm)	1655
Ds (mm)	608
System weight incl. operating fluids (kg)	615
MIN./MAX. length of the container (m)	L2 = 3.75 L4 = 1.64

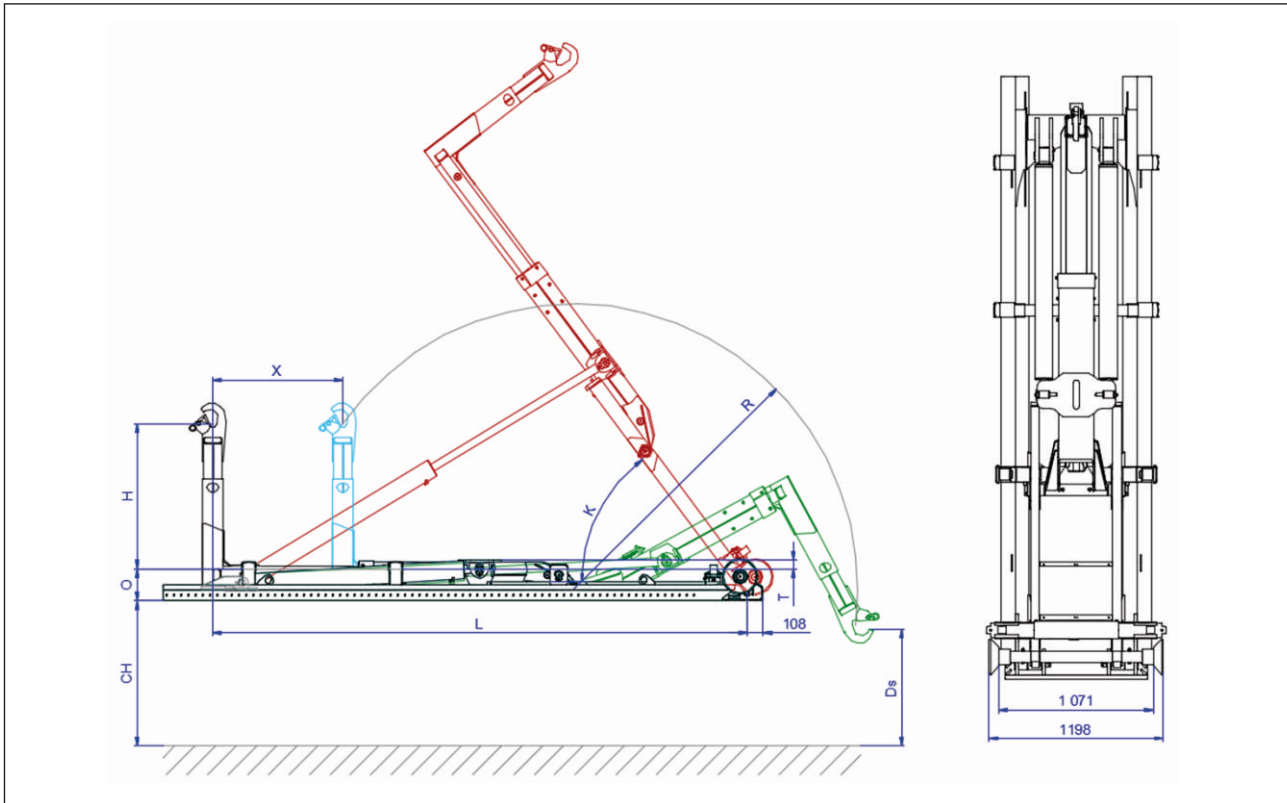
ATTENTION! Height of undercarriage reduces the capacity of the hookloader.

H = height of the pick-up hook (mm)
CH = height of the undercarriage (mm)

Recommended basic volume of oil tank: 10 lt.
Hydraulic requirements - recommended values: 17 (20) lt./min. / 28 MPa
Electric requirements: 12V-7.5A or 24V-5A

H=930 CH=900 (mm)

Capacity class of the hookloader: 60 kN
Capacity class of the undercarriage (total weight): 9 - 12 tons



Type	06-33-S-C.H.E.M.-BOLT.	06-37-S-C.H.E.M.-BOLT.	06-41-S-C.H.E.M.-BOLT.
Part no.	360472379	360472381	360472372
Description	Parameters	Parameters	Parameters
Lifting and tipping capacity (t)	6	6	6
Maximum pressure (MPa)	28	28	28
H (mm)	930	930	930
O (mm)	220	220	220
L (mm)	3300	3700	4100
X (mm)	700	900	900
K (°)	58	53	53
T (mm)	61	61	61
R (mm)	1925	1925	2094
Ds (mm)	792	792	811
System weight without operating fluids (kg)	782	801	852
MIN./OPTIM./MAX. length of the container (m)	Typ N: 3.9 Typ L: 4.4		3.4 / 4.7 / 5.2

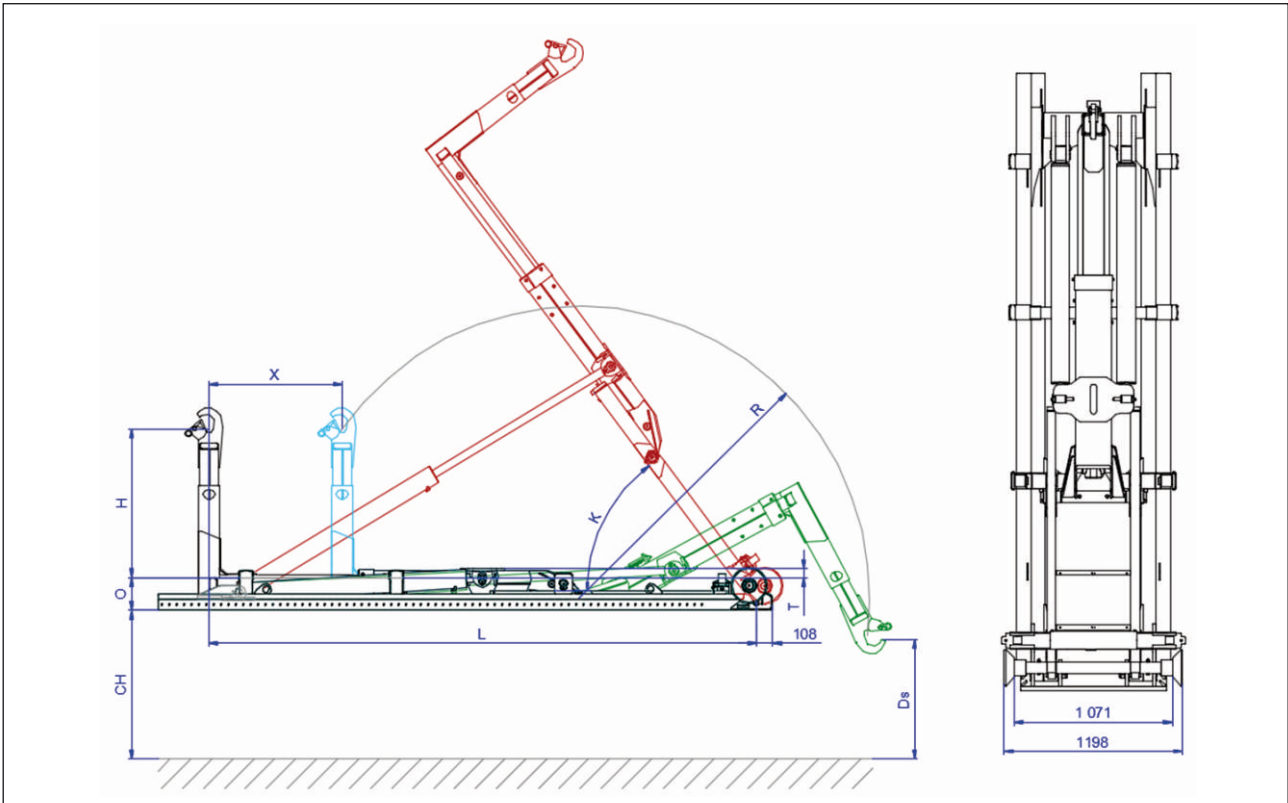
ATTENTION! Maximum length of containers with telescopic bumper only
Height of undercarriage reduces the capacity of the hookloader.

H = height of the pick-up hook (mm)
CH = height of the undercarriage (mm)

Recommended basic volume of oil tank: 40 lt.
Hydraulic requirements - recommended values: 40-50 lt./min. / 28 MPa
Electric requirements: 12V-7.5A or 24V-5A

H=900 CH=900 (mm)

Capacity class of the hookloader: 60 kN
Capacity class of the undercarriage (total weight): 9- 12 tons



Type	06-33-S-DIN-BOLT.	06-37-S-DIN-BOLT.	06-41-S-DIN-BOLT.	06-45-S-DIN-BOLT.
Part no.	360472368	360472370	360472372	360472374
Description	Parameters	Parameters	Parameters	Parameters
Lifting and tipping capacity (t)	6	6	6	6
Maximum pressure (MPa)	28	28	28	28
H (mm)	900	900	900	900
O (mm)	220	220	220	220
L (mm)	3300	3700	4100	4500
X (mm)	700	900	900	1100
K (°)	58	53	53	49
T (mm)	61	61	61	61
R (mm)	1908	1908	2079	2079
Ds (mm)	792	792	811	811
System weight without operating fluids (kg)	782	801	852	865
MIN./OPTIM./MAX. length of the container (m)	2.8 / 3.7-3.8 / 4.3	3.2 / 4.2-4.5 / 4.6	3.4 / 4.7 / 5.2	3.6 / 5.2 / 5.5

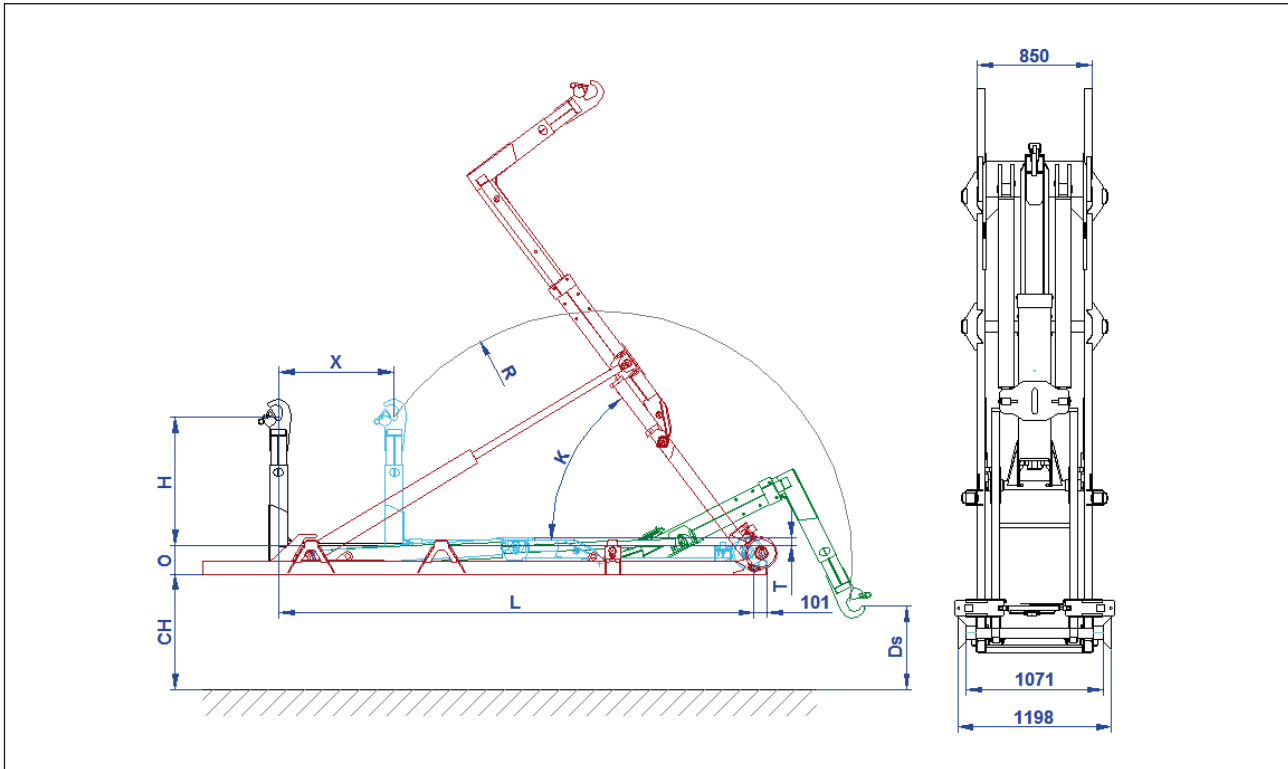
ATTENTION! Maximum length of containers with telescopic bumper only
Height of undercarriage reduces the capacity of the hookloader.

H = height of the pick-up hook (mm)
CH = height of the undercarriage (mm)

Recommended basic volume of oil tank: 40 lt.
Hydraulic requirements - recommended values: 40-50 lt./min. / 28 MPa
Electric requirements: 12V-7.5A or 24V-5A

H=1000 CH=1000 (mm)

Capacity class of the hookloader: 60 kN
Capacity class of the undercarriage (total weight): 9 - 12 tons



Type	06-33-S-CTS	06-33-S-CTS	06-37-S-CTS	06-41-S-CTS	06-45-S-CTS
Part no.	360471360	width 1060/1100 360471360 + adjustment to 361230210	360471370	360471380	360471390
Description	Parameters	Parameters	Parameters	Parameters	Parameters
Lifting and tipping capacity (t)	6	6	6	6	6
Maximum pressure (MPa)	28	28	28	28	28
H (mm)	1000	1000	1000	1000	1000
O (mm)	220	220	220	220	220
L (mm)	3300	3300	3700	4100	4500
X (mm)	700	700	900	900	1100
K (°)	58	58	53	53	49
T (mm)	61	61	61	61	61
R (mm)	1965	1965	1965	2131	2131
Ds (mm)	804	804	804	822	822
System weight without operating fluids (kg)	767	767	784	832	849
MIN./OPTIM./MAX. length of the container (m)	2.8 / 3.7-3.8 / 4.3	2.8 / 3.7-3.8 / 4.3	3.2 / 4.2-4.5 / 4.6	3.4 / 4.7 / 5.2	3.6 / 5.2 / 5.5

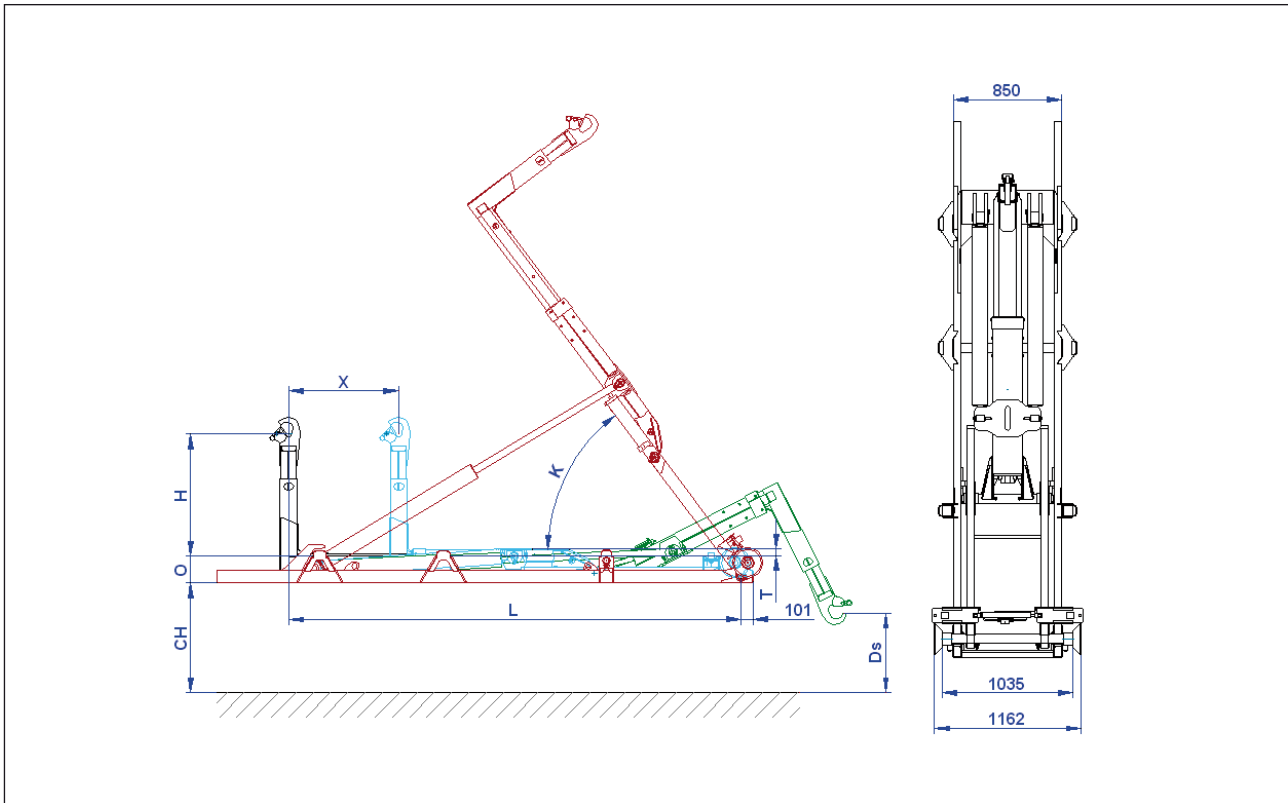
ATTENTION! Maximum length of containers with telescopic bumper only
Height of undercarriage reduces the capacity of the hookloader.

H = height of the pick-up hook (mm)
CH = height of the undercarriage (mm)

Recommended basic volume of oil tank: 40 lt.
Hydraulic requirements - recommended values: 40-50 lt./min. / 28 MPa
Electric requirements: 12V-7.5A or 24V-5A

H=1190 CH=1050 (mm)

Capacity class of the hookloader: 60 kN
Capacity class of the undercarriage (total weight): 9 - 12 tons



Type	06-33-S-POL	06-37-S-POL
Part no.	360471363	360471373
Description	Parameters	Parameters
Lifting and tipping capacity (t)	6	6
Maximum pressure (MPa)	28	28
H (mm)	1190	1190
O (mm)	220	220
L (mm)	3300	3700
X (mm)	700	900
K (°)	58	53
T (mm)	61	61
Ds (mm)	687	687
System weight without operating fluids (kg)	770	789
MIN./MAX. length of the container (m)	PZK-7: 3.6 PZK-9: 4.2	PZK-9: 4.2

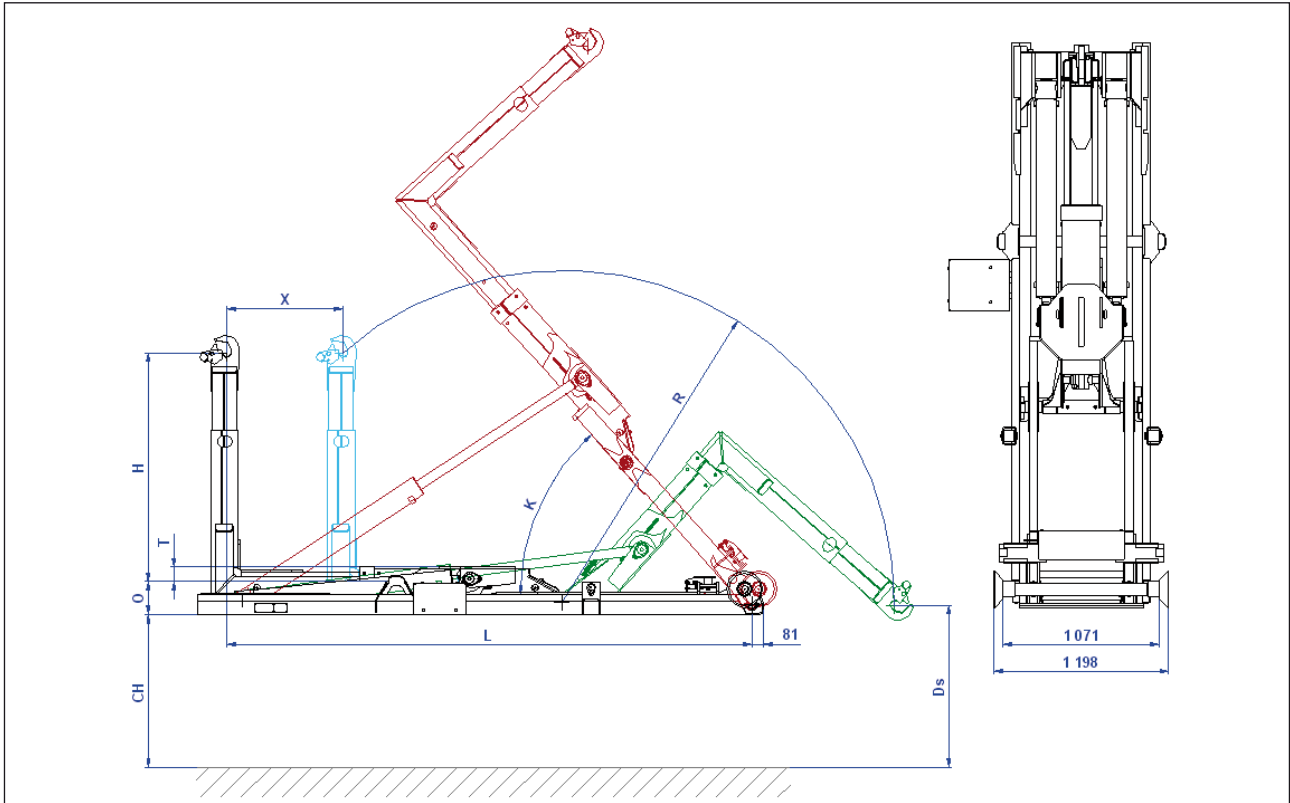
ATTENTION! Maximum length of containers with telescopic bumper only
Height of undercarriage reduces the capacity of the hookloader.

H = height of the pick-up hook (mm)
CH = height of the undercarriage (mm)

Recommended basic volume of oil tank: 40 lt.
Hydraulic requirements - recommended values: 40-50 lt./min. / 28 MPa
Electric requirements: 12V-7.5A or 24V-5A

H=1000/1570 CH=1050 (mm)

Capacity class of the hookloader: 80 kN
Capacity class of the undercarriage (total weight): 12 - 15 tons



Type	08-39-S-C ₃ D ₁	08-42-S-C ₃ D ₁
Part no.	360471437	360471448
Description	Parameters	Parameters
Lifting and tipping capacity (t)	8	8
Maximum pressure (MPa)	28	28
H (mm)	1000/1570	1000/1570
O (mm)	225	225
L (mm)	3900	4200
X (mm)	750	850
K (°)	48	48
T (mm)	100	100
Ds (mm)	643	678
System weight incl. operating fluids (kg)	1250	1293
MIN./MAX. length of the container (m)	3.1 / 4.9	3.3 / 5.1

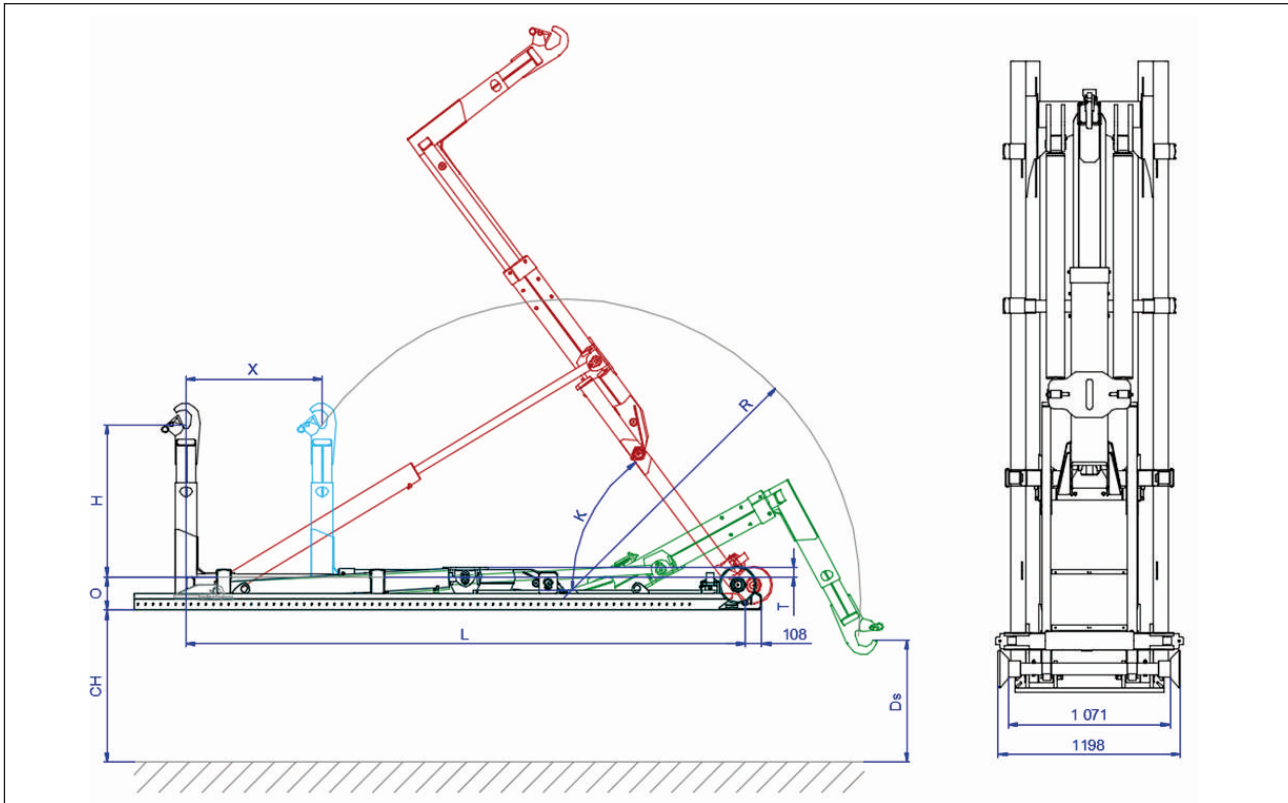
ATTENTION! Maximum length of containers with telescopic bumper only
Height of undercarriage reduces the capacity of the hookloader.

H = height of the pick-up hook (mm)
CH = height of the undercarriage (mm)

Recommended basic volume of oil tank: 60 lt.
Hydraulic requirements - recommended values: 64 lt./min. / 28 MPa
Electric requirements: 12V-7.5A or 24V-5A

H=930 CH=900 (mm)

Capacity class of the hookloader: 80 kN
Capacity class of the undercarriage (total weight): 12 - 15 tons



Type	08-33-S-C.H.E.M.-BOLTABLE	08-37-S-C.H.E.M.-BOLTABLE	08-41-S-C.H.E.M.-BOLTABLE	08-45-S-C.H.E.M.-BOLTABLE
Part no.	360472383	360472385	360471529	360471538
Description	Parameters	Parameters	Parameters	Parameters
Lifting and tipping capacity (t)	8	8	8	8
Maximum pressure (MPa)	28	28	28	28
H (mm)	930	930	930	930
O (mm)	220	220	220	220
L (mm)	3300	3700	4100	4500
X (mm)	700	900	900	1100
K (°)	58	53	53	49
T (mm)	61	61	61	61
R (mm)	1925	1925	2094	2094
Ds (mm)	792	792	811	811
System weight without operating fluids (kg)	832	851	902	915
MIN./OPTIM./MAX. length of the container (m)	Typ N: 3.9	Typ L: 4.4	3.4 / 4.7 / 5.2	3.6 / 5.2 / 5.5

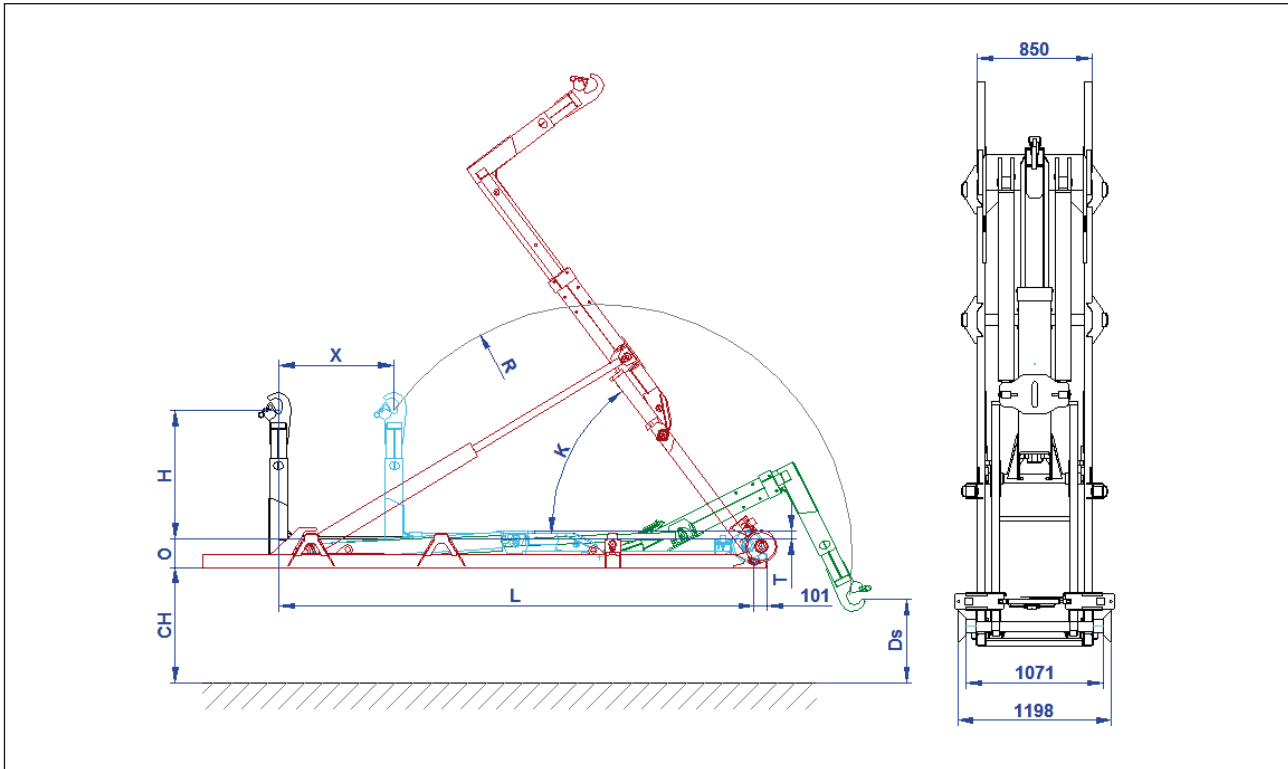
ATTENTION! Maximum length of containers with telescopic bumper only
Height of undercarriage reduces the capacity of the hookloader.

H = height of the pick-up hook (mm)
CH = height of the undercarriage (mm)

Recommended basic volume of oil tank: 40 lt.
Hydraulic requirements - recommended values: 40-50 lt./min. / 28 MPa
Electric requirements: 12V-7.5A or 24V-5A

H=1000 CH=1000 (mm)

Capacity class of the hookloader: 80 kN
Capacity class of the undercarriage (total weight): 12 - 15 tons



Type	08-33-S-CTS	08-33-S-CTS	08-37-S-CTS	08-41-S-CTS	08-45-S-CTS
Part no.	360471500	width 1060/1100 360471500 + adjustment to 361230210	360471510	360471520	360471530
Description	Parameters	Parameters	Parameters	Parameters	Parameters
Lifting and tipping capacity (t)	8	8	8	8	8
Maximum pressure (MPa)	28	28	28	28	28
H (mm)	1000	1000	1000	1000	1000
O (mm)	220	220	220	220	220
L (mm)	3300	3300	3700	4100	4500
X (mm)	700	700	900	900	1100
K (°)	58	58	53	53	49
T (mm)	61	61	61	61	61
R (mm)	1965	1965	1965	2131	2131
Ds (mm)	804	804	804	822	822
System weight without operating fluids (kg)	817	817	834	882	899
MIN./OPTIM./MAX. length of the container (m)	2.8 / 3.7-3.8 / 4.3	2.8 / 3.7-3.8 / 4.3	3.2 / 4.2-4.5 / 4.6	3.4 / 4.7 / 5.2	3.6 / 5.2 / 5.5

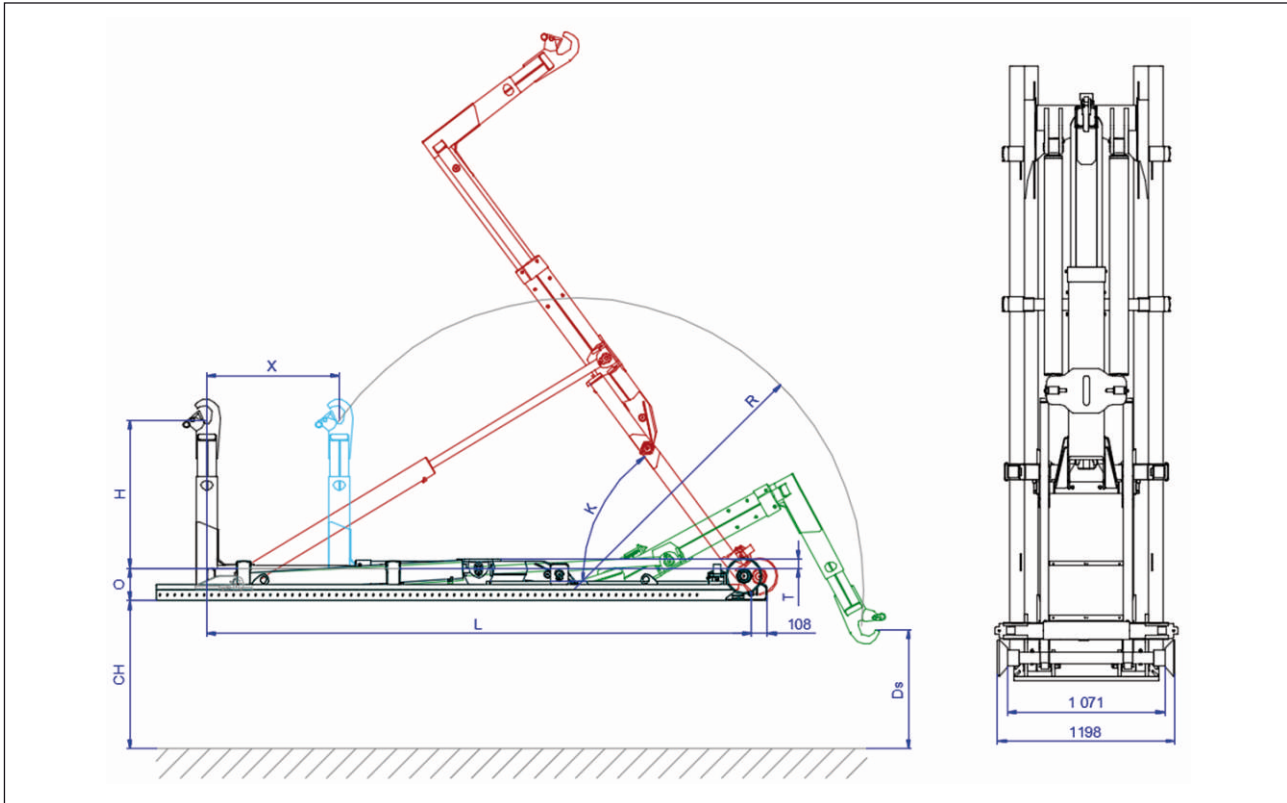
ATTENTION! Maximum length of containers with telescopic bumper only
Height of undercarriage reduces the capacity of the hookloader.

H = height of the pick-up hook (mm)
CH = height of the undercarriage (mm)

Recommended basic volume of oil tank: 40 lt.
Hydraulic requirements - recommended values: 40-50 lt./min. / 32 MPa
Electric requirements: 12V-7.5A or 24V-5A

H=900 CH=900 (mm)

Capacity class of the hookloader: 80 kN
Capacity class of the undercarriage (total weight): 12- 15 tons



Type	08-33-S-DIN-BOLT.	08-37-S-DIN-BOLT.	08-41-S-DIN-BOLT.	08-45-S-DIN-BOLT.
Part no.	360471507	360471518	360471529	360471538
Description	Parameters	Parameters	Parameters	Parameters
Lifting and tipping capacity (t)	8	8	8	8
Maximum pressure (MPa)	28	28	28	28
H (mm)	900	900	900	900
O (mm)	220	220	220	220
L (mm)	3300	3700	4100	4500
X (mm)	700	900	900	1100
K (°)	58	53	53	49
T (mm)	61	61	61	61
R (mm)	1908	1908	2079	2079
Ds (mm)	792	792	811	811
System weight without operating fluids (kg)	832	851	902	915
MIN./OPTIM./MAX. length of the container (m)	2.8 / 3.7-3.8 / 4.3	3.2 / 4.2-4.5 / 4.6	3.4 / 4.7 / 5.2	3.6 / 5.2 / 5.5

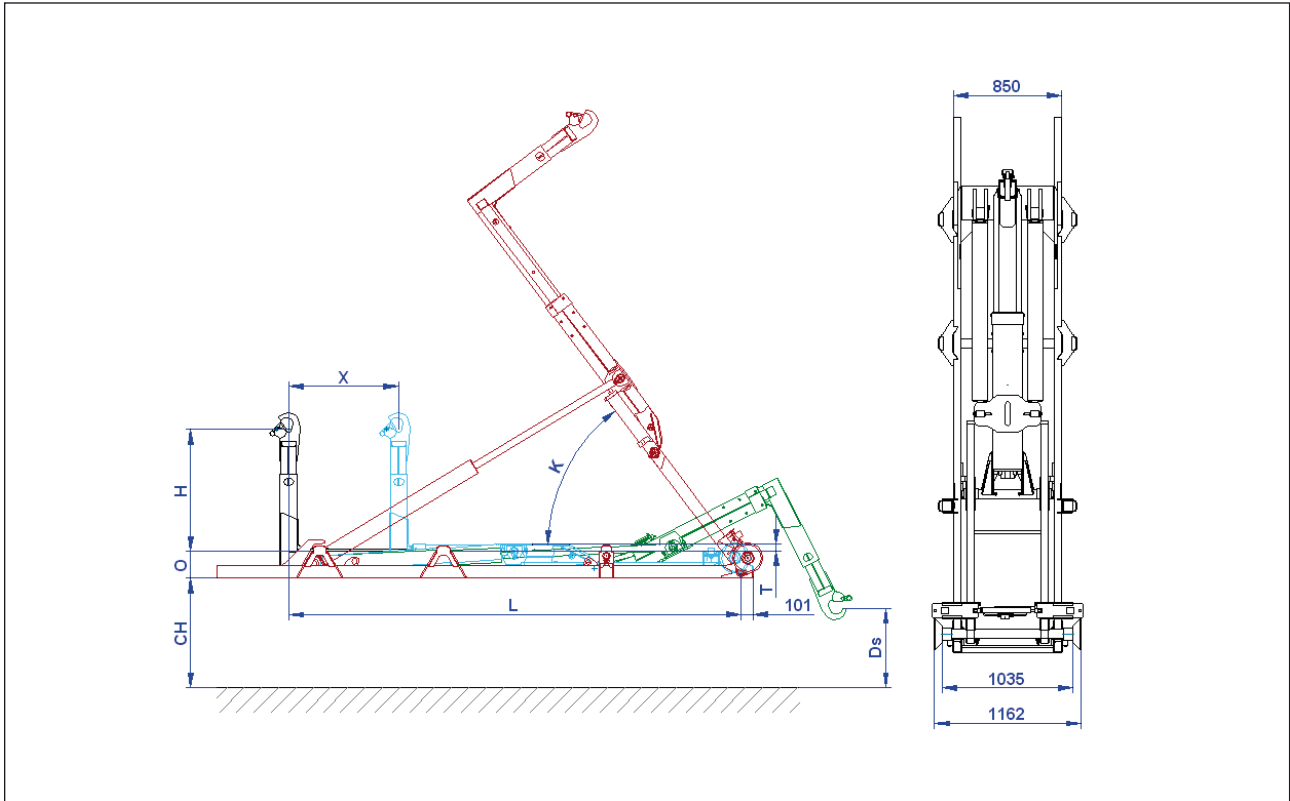
ATTENTION! Maximum length of containers with telescopic bumper only
Height of undercarriage reduces the capacity of the hookloader.

H = height of the pick-up hook (mm)
CH = height of the undercarriage (mm)

Recommended basic volume of oil tank: 40 lt.
Hydraulic requirements - recommended values: 40-50 lt./min. / 28 MPa
Electric requirements: 12V-7.5A or 24V-5A

H=1190 CH=1050 (mm)

Capacity class of the hookloader: 80 kN
Capacity class of the undercarriage (total weight): 12 - 15 tons



Type	08-33-S-POL	08-37-S-POL
Part no.	360471503	360471513
Description	Parameters	Parameters
Lifting and tipping capacity (t)	8	8
Maximum pressure (MPa)	28	28
H (mm)	1190	1190
O (mm)	220	220
L (mm)	3300	3700
X (mm)	700	900
K (°)	58	53
T (mm)	61	61
Ds (mm)	687	687
System weight without operating fluids (kg)	820	839
MIN./MAX. length of the container (m)	PZK-7: 3.6 PZK-9: 4.2	PZK-9: 4.2

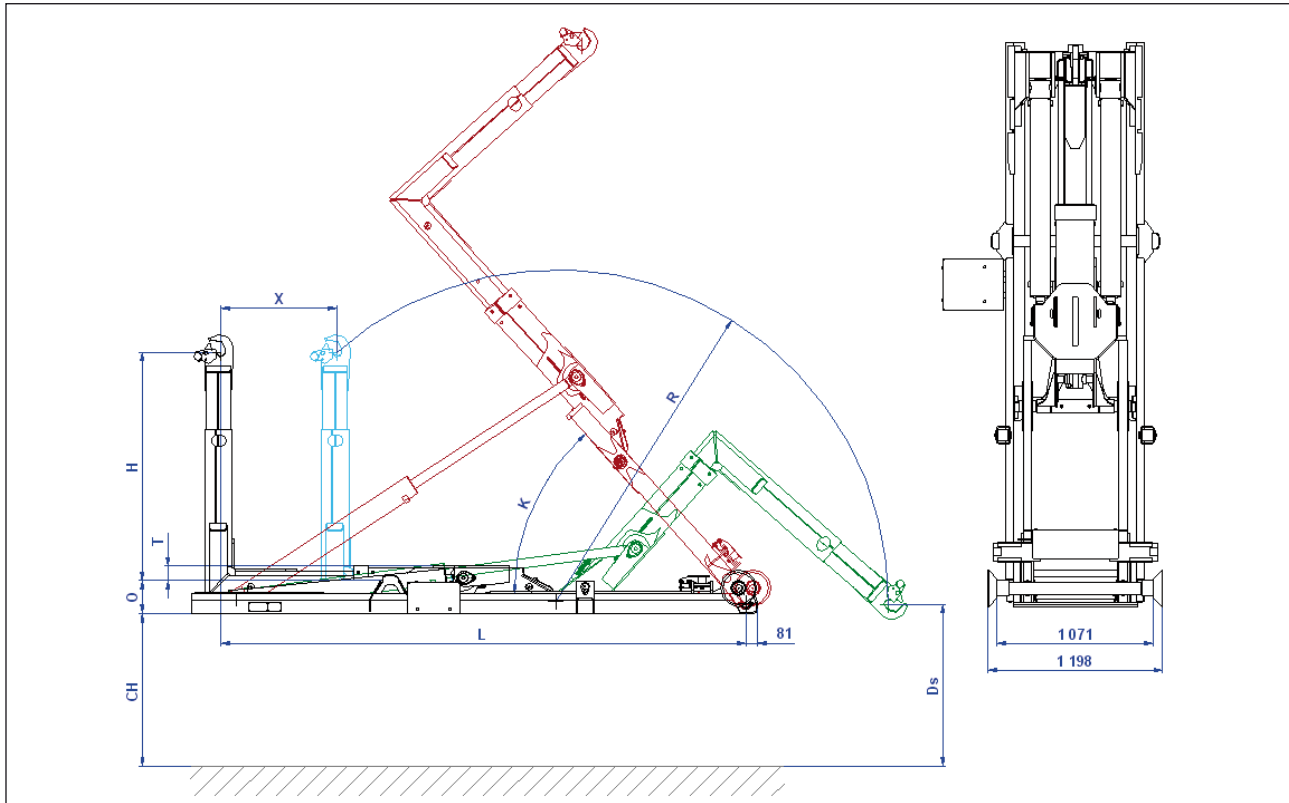
ATTENTION! Maximum length of containers with telescopic bumper only
Height of undercarriage reduces the capacity of the hookloader.

H = height of the pick-up hook (mm)
CH = height of the undercarriage (mm)

Recommended basic volume of oil tank: 40 lt.
Hydraulic requirements - recommended values: 40-50 lt./min. / 32 MPa
Electric requirements: 12V-7.5A or 24V-5A

H=1000/1570 CH=1050 (mm)

Capacity class of the hookloader: 100 kN
Capacity class of the undercarriage (total weight): 14 - 16 tons



Type	10-39-S-C ₃ D ₁	10-42-S-C ₃ D ₁
Part no.	360471727	360471737
Description	Parameters	Parameters
Lifting and tipping capacity (t)	10	10
Maximum pressure (MPa)	28	28
H (mm)	1000/1570	1000/1570
O (mm)	225	225
L (mm)	3900	4200
X (mm)	750	850
K (°)	48	48
T (mm)	100	100
Ds (mm)	643	678
System weight incl. operating fluids (kg)	1280	1323
MIN./MAX. length of the container (m)	3.1 / 4.9	3.3 / 5.1

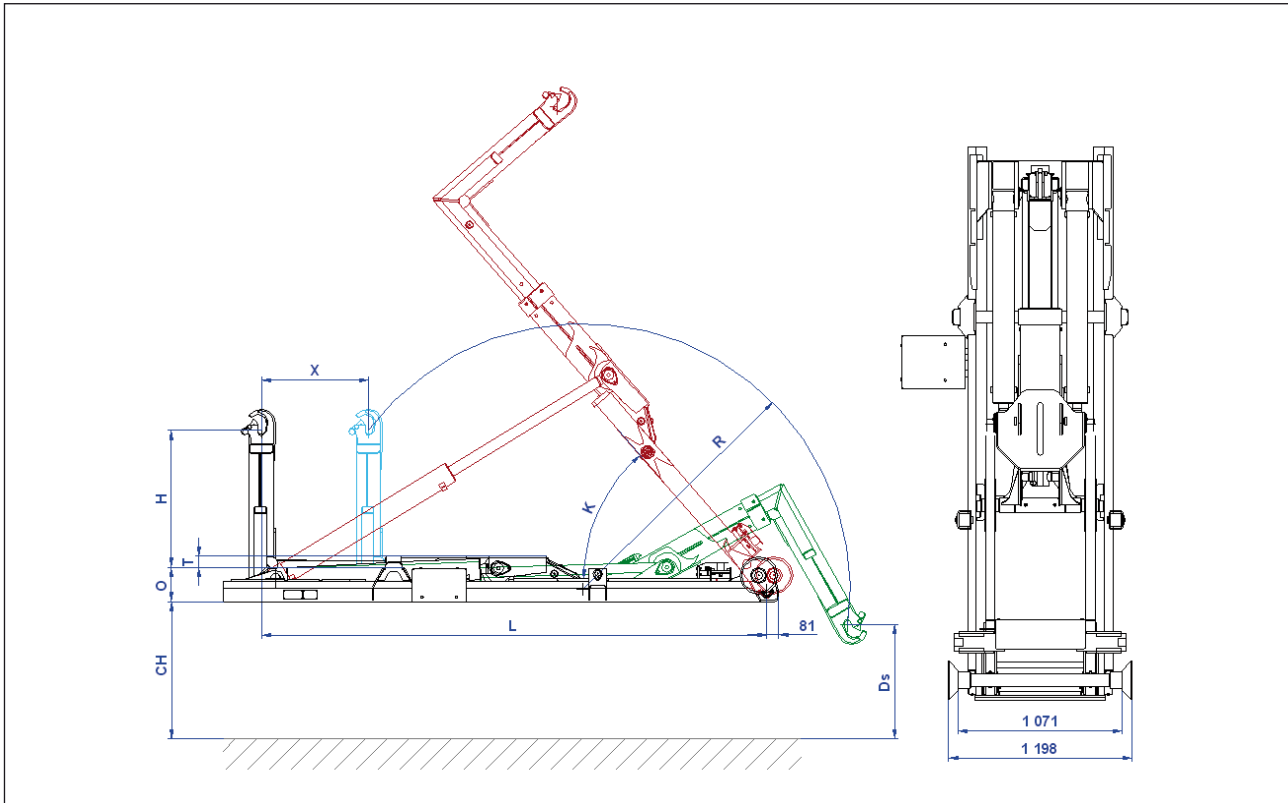
ATTENTION! Maximum length of containers with telescopic bumper only
Height of undercarriage reduces the capacity of the hookloader.

H = height of the pick-up hook (mm)
CH = height of the undercarriage (mm)

Recommended basic volume of oil tank: 60 lt.
Hydraulic requirements - recommended values: 64 lt./min. / 28 MPa
Electric requirements: 12V-7.5A or 24V-5A

H=930 CH=900 (mm)

Capacity class of the hookloader: 100 kN
Capacity class of the undercarriage (total weight): 14 - 16 tons



Type	10-33-S-C.H.E.M.	10-36-S-C.H.E.M.	10-39-S-C.H.E.M.
Part no.	360471702	360471712	360471722
Description	Parameters	Parameters	Parameters
Lifting and tipping capacity (t)	10	10	10
Maximum pressure (MPa)	28	28	28
H (mm)	930	930	930
O (mm)	225	225	225
L (mm)	3300	3600	3900
X (mm)	700	800	900
K (°)	49	49	49
T (mm)	75	75	75
R (mm)	1765	1845	1928
Ds (mm)	725	722	735
System weight without operating fluids (kg)	1077	1114	1150
MIN./MAX. length of the container (m)	Typ N: 3.9 Typ L: 4.4		

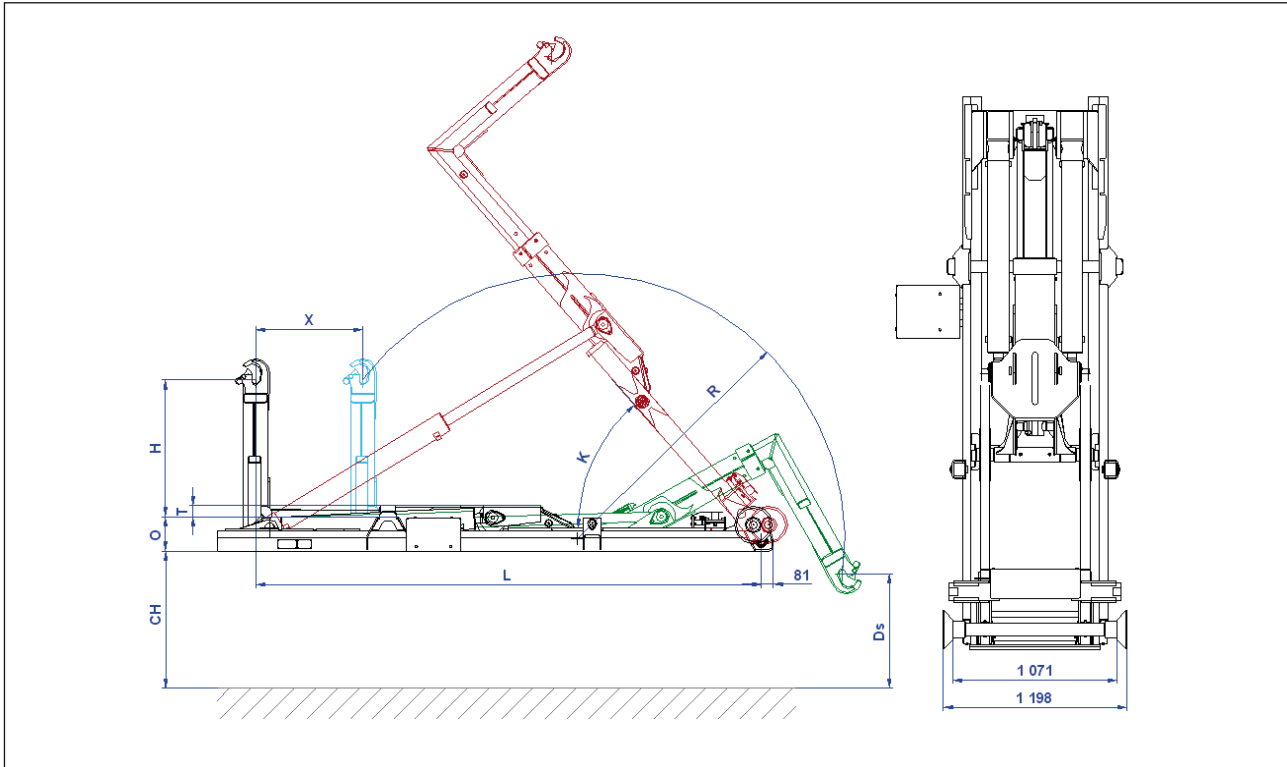
ATTENTION! Maximum length of containers with telescopic bumper only
Height of undercarriage reduces the capacity of the hookloader.

H = height of the pick-up hook (mm)
CH = height of the undercarriage (mm)

Recommended basic volume of oil tank: 60 lt.
Hydraulic requirements - recommended values: 64 lt./min. / 28 MPa
Electric requirements: 12V-7.5A or 24V-5A

H=1000 CH=1000 (mm)

Capacity class of the hookloader: 100 kN
Capacity class of the undercarriage (total weight): 14 - 16 tons



Type	10-33-S-CTS	10-33-S-CTS	10-36-S-CTS	10-39-S-CTS	10-42-S-CTS	10-45-S-CTS
Part no.	360471700	width 1060/1100 360471700 + adjustment to 361230220	360471710	360471720	360471730	360471740
Description	Parameters	Parameters	Parameters	Parameters	Parameters	Parameters
Lifting and tipping capacity (t)	10	10	10	10	10	10
Maximum pressure (MPa)	28	28	28	28	28	28
H (mm)	1000	1000	1000	1000	1000	1000
O (mm)	225	225	225	225	225	225
L (mm)	3300	3300	3600	3900	4200	4500
X (mm)	700	700	800	900	1100	1100
K (°)	49	49	49	49	49	49
T (mm)	75	75	75	75	75	75
R (mm)	1808	1808	1887	1967	2050	2133
Ds (mm)	764	764	760	773	782	796
System weight without operating fluids (kg)	1079	1079	1117	1153	1193	1232
MIN./OPTIM./MAX. length of the container (m)	2.8 / 3.7 / 4.3	2.8 / 3.7 / 4.3	3.0 / 4.2 / 4.6	3.2 / 4.5 / 4.9	3.4 / 5.0 / 5.2	3.6 / 5.2 / 5.5

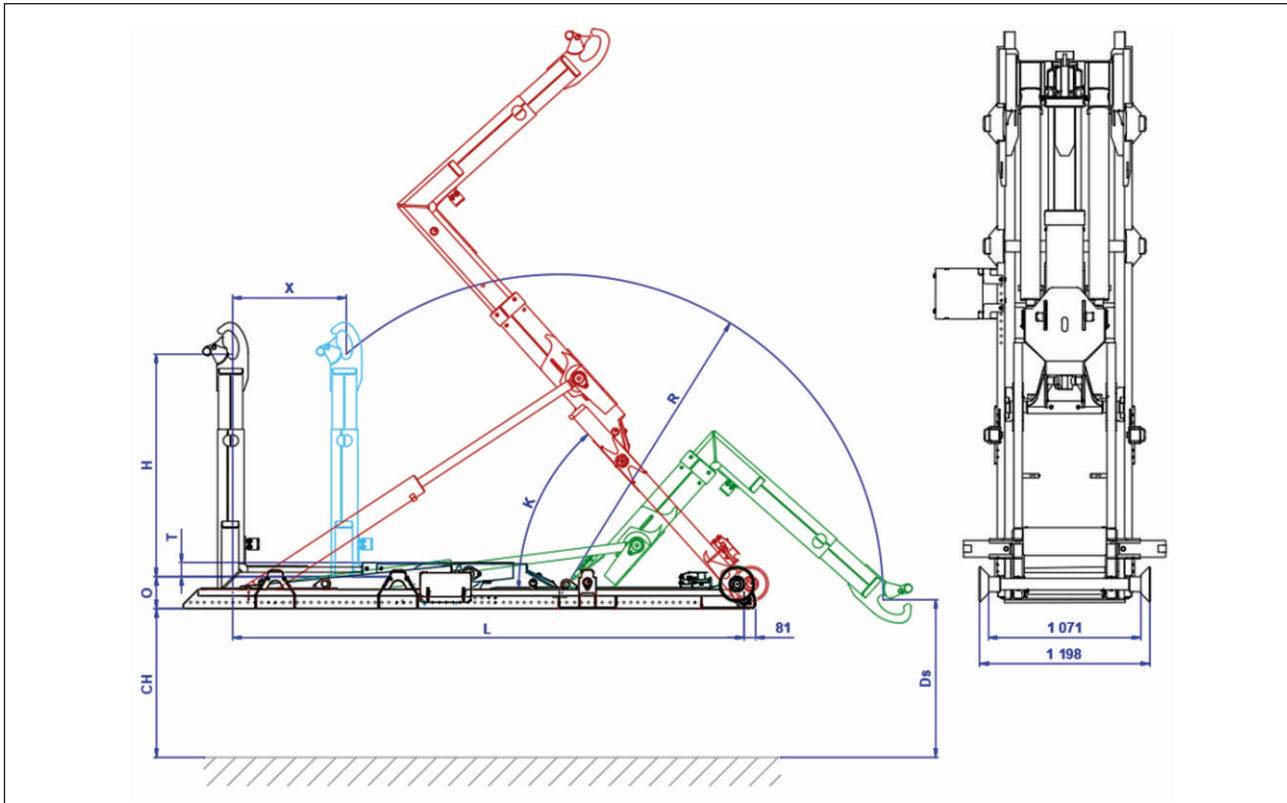
ATTENTION! Maximum length of containers with telescopic bumper only
Height of undercarriage reduces the capacity of the hookloader.

H = height of the pick-up hook (mm)
CH = height of the undercarriage (mm)

Recommended basic volume of oil tank: 60 lt.
Hydraulic requirements - recommended values: 64 lt./min. / 28 MPa
Electric requirements: 12V-7.5A or 24V-5A

H=1000 CH=1000 (mm)

Capacity class of the hookloader: 100 kN
Capacity class of the undercarriage (total weight): 14 - 16 tons



Type	10-33-S-CTS-BOLTABLE	10-36-S-CTS-BOLTABLE	10-39-S-CTS-BOLTABLE	10-42-S-CTS-BOLTABLE	10-45-S-CTS-BOLTABLE
Part no.	360472437	360472398	360472389	360472392	360472395
Description	Parameters	Parameters	Parameters	Parameters	Parameters
Lifting and tipping capacity (t)	10	10	10	10	10
Maximum pressure (MPa)	28	28	28	28	28
H (mm)	1000	1000	1000	1000	1000
O (mm)	225	225	225	225	225
L (mm)	3300	3600	3900	4200	4500
X (mm)	700	800	900	1000	1100
K (°)	49	49	49	49	49
T (mm)	75	75	75	75	75
R (mm)	1808	1887	1967	2050	2133
Ds (mm)	764	760	773	782	796
System weight without operating fluids (kg)	1097	1134	1170	1210	1249
MIN./OPTIM./MAX. length of the container (m)	2.8 / 3.7 / 4.3	3.0 / 4.2 / 4.6	3.2 / 4.5 / 4.9	3.4 / 5.0 / 5.2	3.6 / 5.2 / 5.5

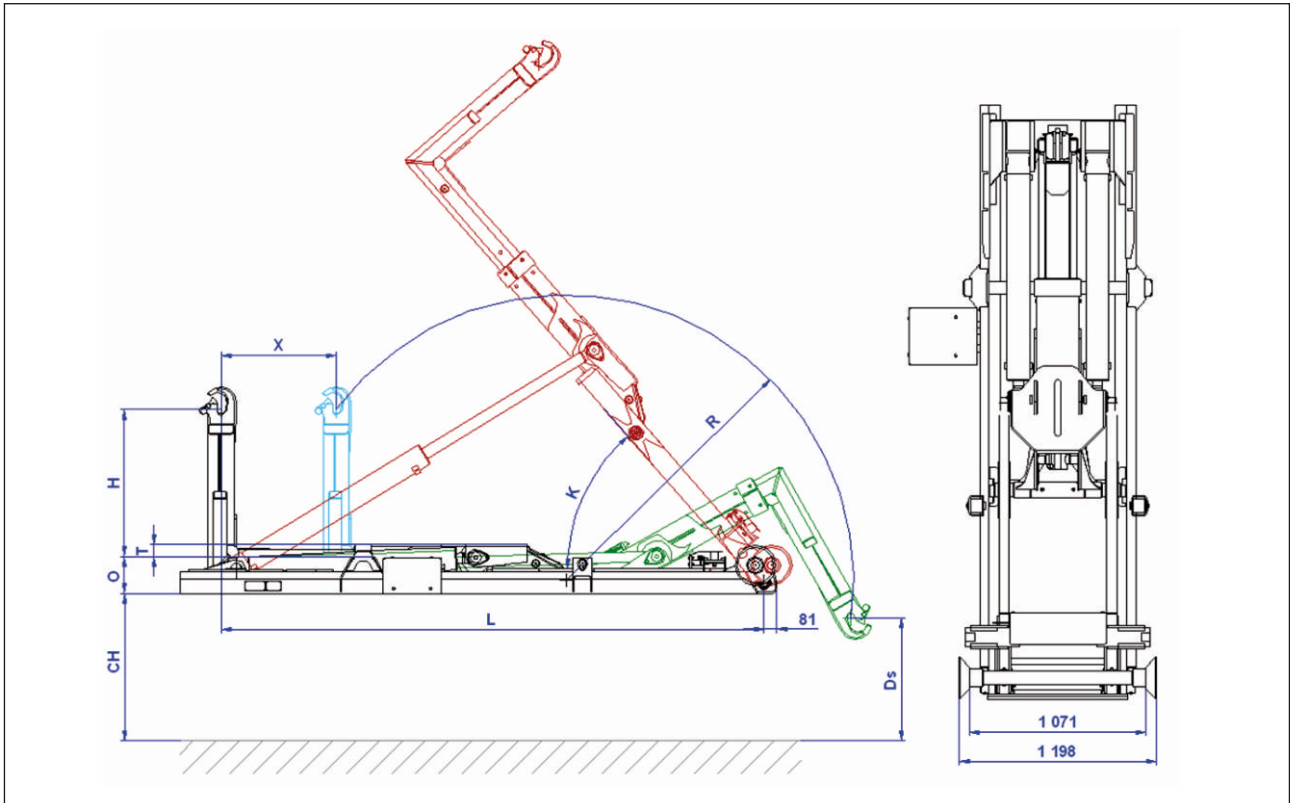
ATTENTION! Maximum length of containers with telescopic bumper only
Height of undercarriage reduces the capacity of the hookloader.

H = height of the pick-up hook (mm)
CH = height of the undercarriage (mm)

Recommended basic volume of oil tank: 60 lt.
Hydraulic requirements - recommended values: 64 lt./min. / 28 MPa
Electric requirements: 12V-7.5A or 24V-5A

H=900 CH=900 (mm)

Capacity class of the hookloader: 100 kN
Capacity class of the undercarriage (total weight): 14- 16 tons



Type	10-33-S-DIN	10-36-S-DIN	10-39-S-DIN	10-42-S-DIN	10-45-S-DIN
Part no.	360471701	360471711	360471721	360471731	360471741
Description	Parameters	Parameters	Parameters	Parameters	Parameters
Lifting and tipping capacity (t)	10	10	10	10	10
Maximum pressure (MPa)	28	28	28	28	28
H (mm)	900	900	900	900	900
O (mm)	225	225	225	225	225
L (mm)	3300	3600	3900	4200	4500
X (mm)	700	800	900	1000	1100
K (°)	49	49	49	49	49
T (mm)	75	75	75	75	75
R (mm)	1747	1828	1911	1996	2081
Ds (mm)	751	749	762	772	786
System weight without operating fluids (kg)	1077	1114	1150	1190	1229
MIN./OPTIM./MAX. length of the container (m)	2.8 / 3.7 / 4.3	3.0 / 4.2 / 4.6	3.2 / 4.5 / 4.9	3.4 / 5.0 / 5.2	3.4 / 5.0 / 5.2

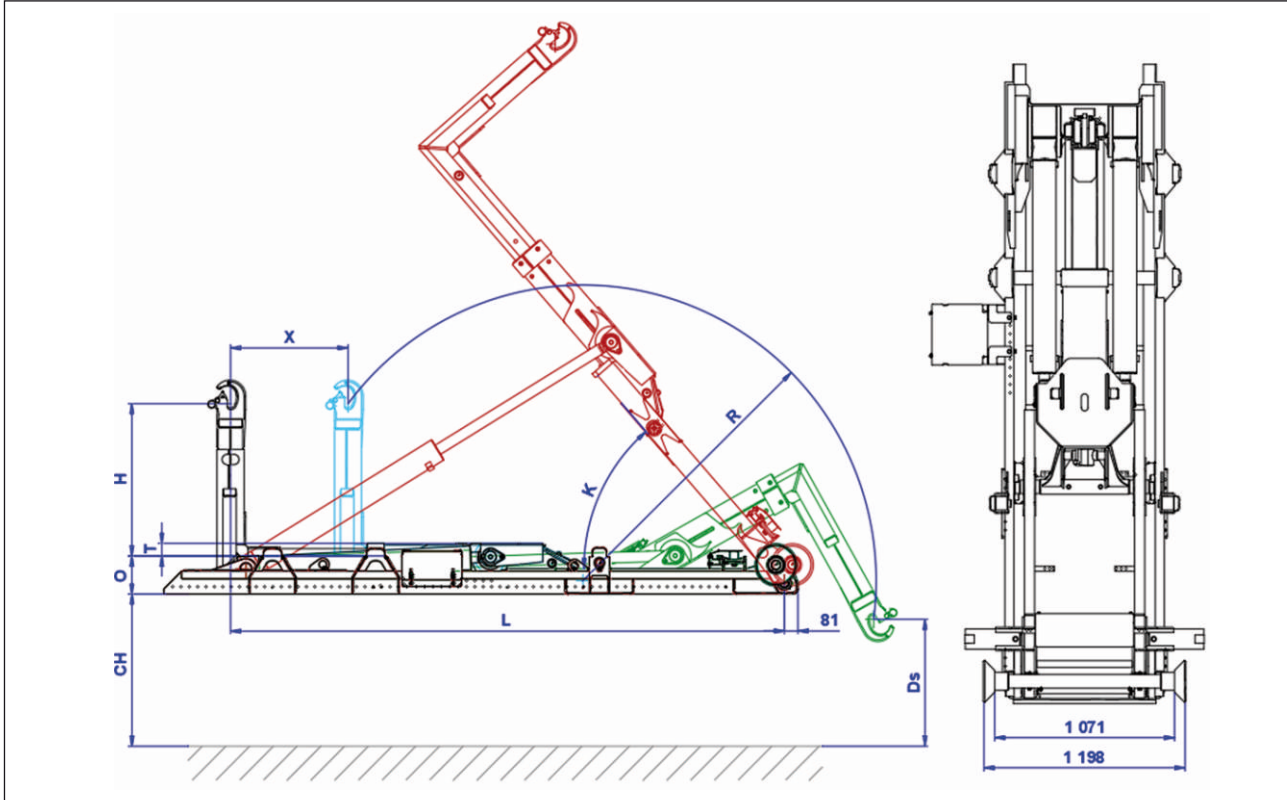
ATTENTION! Maximum length of containers with telescopic bumper only
Height of undercarriage reduces the capacity of the hookloader.

H = height of the pick-up hook (mm)
CH = height of the undercarriage (mm)

Recommended basic volume of oil tank: 60 lt.
Hydraulic requirements - recommended values: 64 lt./min. / 28 MPa
Electric requirements: 12V-7.5A or 24V-5A

H=900 CH=900 (mm)

Capacity class of the hookloader: 100 kN
Capacity class of the undercarriage (total weight): 14- 16 tons



Type	10-33-S-DIN-BOLTABLE	10-36-S-DIN-BOLTABLE	10-39-S-DIN-BOLTABLE	10-42-S-DIN-BOLTABLE	10-45-S-DIN-BOLTABLE
Part no.	360472436	360472399	360472390	360472393	360472396
Description	Parameters	Parameters	Parameters	Parameters	Parameters
Lifting and tipping capacity (t)	10	10	10	10	10
Maximum pressure (MPa)	28	28	28	28	28
H (mm)	900	900	900	900	900
O (mm)	225	225	225	225	225
L (mm)	3300	3600	3900	4200	4500
X (mm)	700	800	900	1000	1100
K (°)	49	49	49	49	49
T (mm)	75	75	75	75	75
R (mm)	1747	1828	1911	1996	2081
Ds (mm)	751	749	762	772	786
System weight without operating fluids (kg)	1097	1134	1170	1210	1249
MIN./OPTIM./MAX. length of the container (m)	2.8 / 3.7 / 4.3	3.0 / 4.2 / 4.6	3.2 / 4.5 / 4.9	3.4 / 5.0 / 5.2	3.6 / 5.2 / 5.5

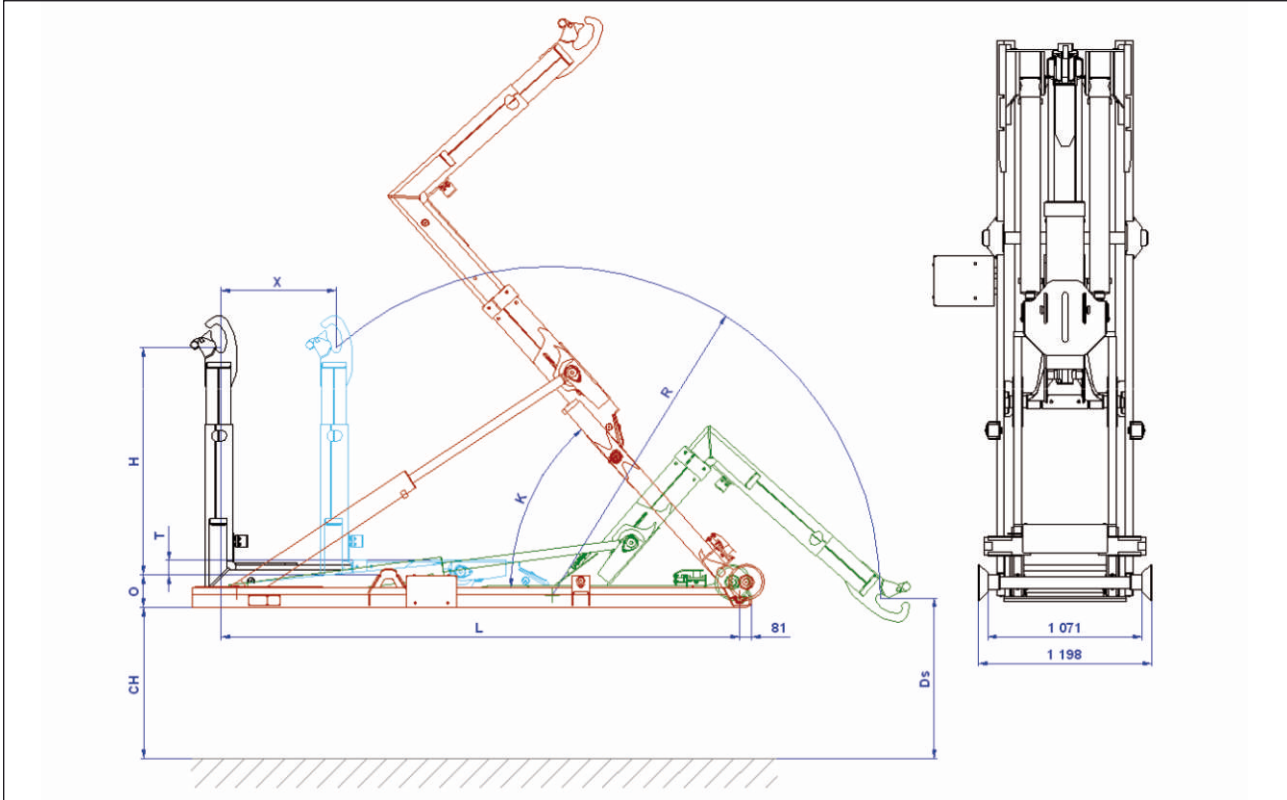
ATTENTION! Maximum length of containers with telescopic bumper only
Height of undercarriage reduces the capacity of the hookloader.

H = height of the pick-up hook (mm)
CH = height of the undercarriage (mm)

Recommended basic volume of oil tank: 60 lt.
Hydraulic requirements - recommended values: 64 lt./min. / 28 MPa
Electric requirements: 12V-7.5A or 24V-5A

H=1420/1450 CH=1050 (mm)

Capacity class of the hookloader: 100 kN
Capacity class of the undercarriage (total weight): 14- 16 tons



Type	10-36-S-SC	10-39-S-SC	10-42-S-SC	10-45-S-SC	10-48-S-SC	10-51-S-SC	10-54-S-SC
Part no.	360471715	360471725	360471735	360471745	360471755	360471765	360471775
Description	Parameters	Parameters	Parameters	Parameters	Parameters	Parameters	Parameters
Lifting and tipping capacity (t)	10	10	10	10	10	10	10
Maximum pressure (MPa)	28	28	28	28	28	28	28
H (mm)	1420/1450	1420/1450	1420/1450	1420/1450	1420/1450	1420/1450	1420/1450
O (mm)	225	225	225	225	225	225	225
L (mm)	3600	3900	4100	4500	4800	5100	5400
X (mm)	650	750	850	1100	1200	1300	1400
K (°)	48	48	48	48	48	48	48
T (mm)	100	100	100	100	100	100	100
R (mm)	2274	2348	2423	2385	2462	2540	2619
Ds (mm)	1325	1314	1310	1209	1217	1230	1240
System weight without operating fluids (kg)	1162	1197	1240	1282	1332	1372	1412
MIN./OPTIM./MAX. length of the container (m)	3.1 / 4.4 / 4.6	3.1 / 4.6 / 4.9	3.3 / 4.9 / 5.1	3.6 / 5.1 / 5.4	3.7 / 5.4 / 5.6	4.1 / 5.9 / 6.1	4.4 / 6.1 / 6.4

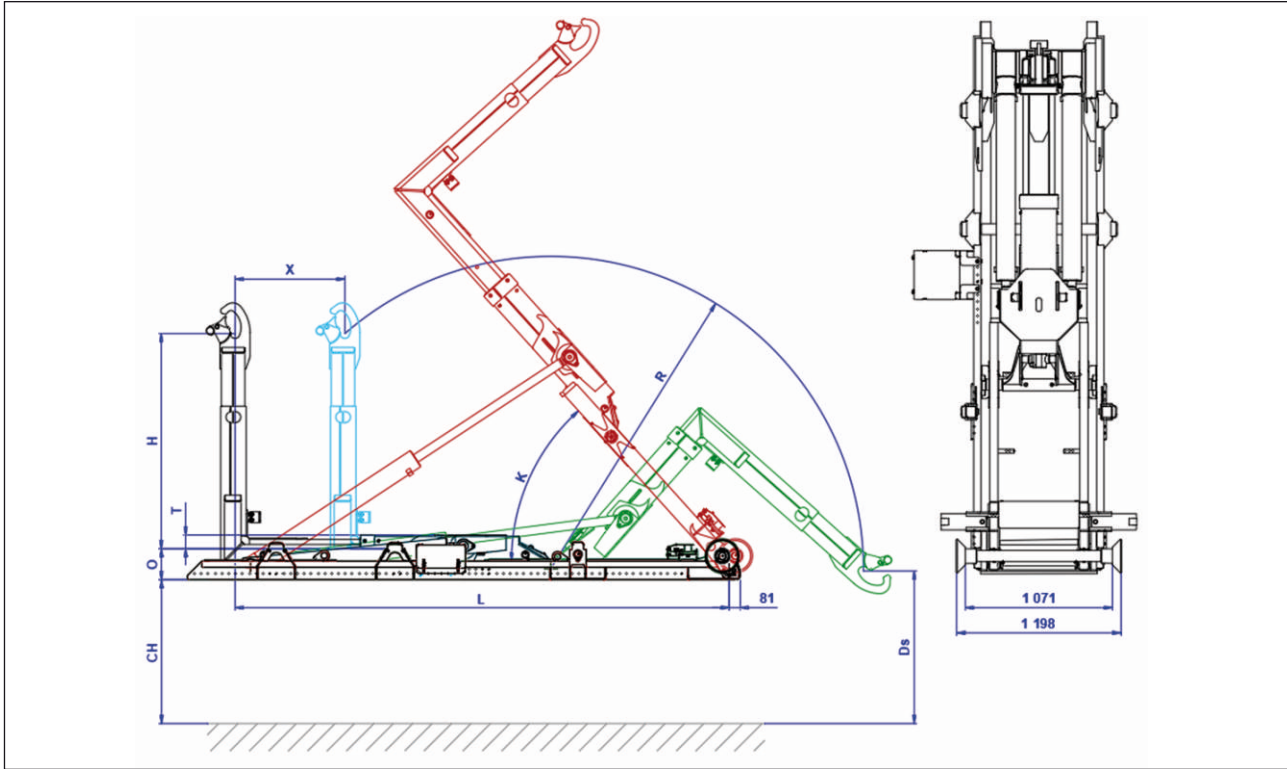
ATTENTION! Maximum length of containers with telescopic bumper only
Height of undercarriage reduces the capacity of the hookloader.

H = height of the pick-up hook (mm)
CH = height of the undercarriage (mm)

Recommended basic volume of oil tank: 60 lt.
Hydraulic requirements - recommended values: 64 lt./min. / 28 MPa
Electric requirements: 12V-7.5A or 24V-5A

H=1420/1450 CH=1050 (mm)

Capacity class of the hookloader: 100 kN
Capacity class of the undercarriage (total weight): 14- 16 tons



Type	10-36-S-SC-BOLTABLE	10-39-S-SC-BOLTABLE	10-42-S-SC-BOLTABLE	10-45-S-SC-BOLTABLE	10-48-S-SC-BOLTABLE	10-51-S-SC-BOLTABLE	10-54-S-SC-BOLTABLE
Part no.	360472401	360472402	360472403	360472404	360472406	360472408	360472410
Description	Parameters	Parameters	Parameters	Parameters	Parameters	Parameters	Parameters
Lifting and tipping capacity (t)	10	10	10	10	10	10	10
Maximum pressure (MPa)	28	28	28	28	28	28	28
H (mm)	1420 / 1450	1420 / 1450	1420 / 1450	1420 / 1450	1420 / 1450	1420 / 1450	1420 / 1450
O (mm)	225	225	225	225	225	225	225
L (mm)	3600	3900	4100	4500	4800	5100	5400
X (mm)	650	750	850	1100	1200	1300	1400
K (°)	48	48	48	48	48	48	48
T (mm)	100	100	100	100	100	100	100
R (mm)	2274	2348	2423	2385	2462	2540	2619
Ds (mm)	1325	1314	1310	1209	1217	1230	1240
System weight without operating fluids (kg)	1182	1217	1260	1302	1352	1392	1432
MIN./OPTIM./MAX. length of the container (m)	3.1 / 4.4 / 4.6	3.1 / 4.6 / 4.9	3.3 / 4.9 / 5.1	3.6 / 5.1 / 5.4	3.7 / 5.4 / 5.6	4.1 / 5.9 / 6.1	4.4 / 6.1 / 6.4

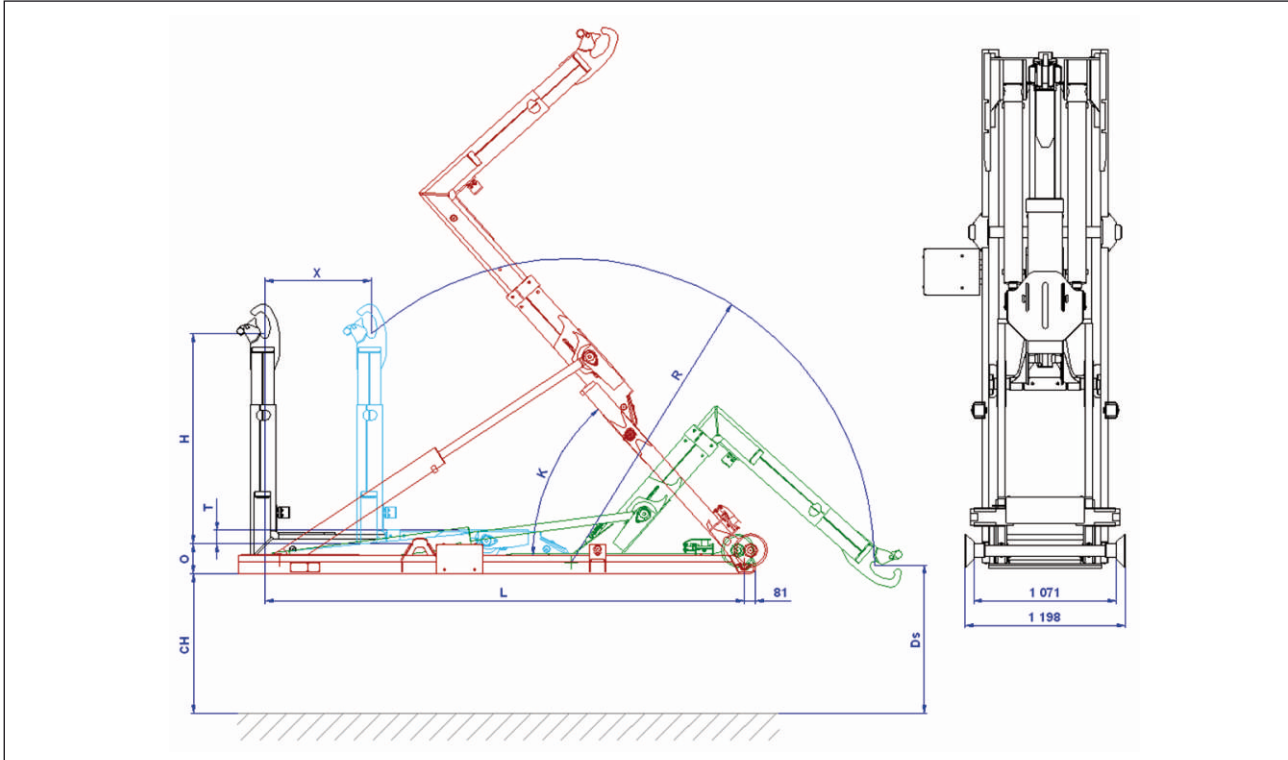
ATTENTION! Maximum length of containers with telescopic bumper only
Height of undercarriage reduces the capacity of the hookloader.

H = height of the pick-up hook (mm)
CH = height of the undercarriage (mm)

Recommended basic volume of oil tank: 60 lt.
Hydraulic requirements - recommended values: 64 lt./min. / 28 MPa
Electric requirements: 12V-7.5A or 24V-5A

H=1570 CH=1050 (mm)

Capacity class of the hookloader: 100 kN
Capacity class of the undercarriage (total weight): 14- 16 tons



Type	10-36-S-DIN_1570	10-39-S-DIN_1570	10-42-S-DIN_1570	10-45-S-DIN_1570	10-48-S-DIN_1570	10-51-S-DIN_1570	10-54-S-DIN_1570
Part no.	360471714	360471724	360471734	360471744	360471754	360471764	360471774
Description	Parameters	Parameters	Parameters	Parameters	Parameters	Parameters	Parameters
Lifting and tipping capacity (t)	10	10	10	10	10	10	10
Maximum pressure (MPa)	28	28	28	28	28	28	28
H (mm)	1570	1570	1570	1570	1570	1570	1570
O (mm)	225	225	225	225	225	225	225
L (mm)	3600	3900	4200	4500	4800	5100	5400
X (mm)	650	750	850	1100	1200	1300	1400
K (°)	48	48	48	48	48	48	48
T (mm)	100	100	100	100	100	100	100
R (mm)	2381	2450	2523	2486	2560	2635	2711
Ds (mm)	1225	1210	1203	1099	1105	1116	1124
System weight without operating fluids (kg)	1162	1197	1240	1282	1332	1372	1412
MIN./OPTIM./MAX. length of the container (m)	3.1 / 4.4 / 4.6	3.1 / 4.6 / 4.9	3.3 / 4.9 / 5.1	3.6 / 5.1 / 5.4	3.7 / 5.4 / 5.6	4.1 / 5.9 / 6.1	4.4 / 6.1 / 6.4

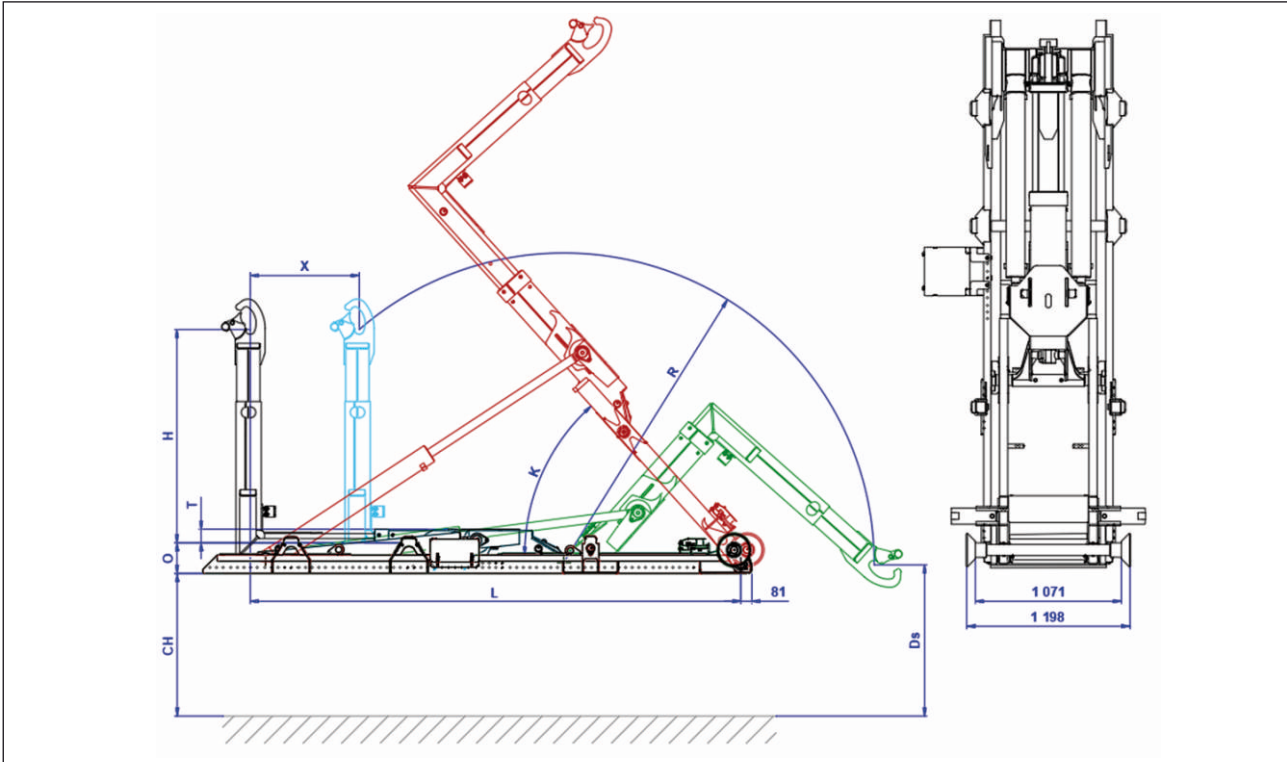
ATTENTION! Maximum length of containers with telescopic bumper only
Height of undercarriage reduces the capacity of the hookloader.

H = height of the pick-up hook (mm)
CH = height of the undercarriage (mm)

Recommended basic volume of oil tank: 60 lt.
Hydraulic requirements - recommended values: 64 lt./min. / 28 MPa
Electric requirements: 12V-7.5A or 24V-5A

H=1570 CH=1050 (mm)

Capacity class of the hookloader: 100 kN
Capacity class of the undercarriage (total weight): 14- 16 tons



Type	10-36-S-DIN_1570-BOLTABLE	10-39-S-DIN_1570-BOLTABLE	10-42-S-DIN_1570-BOLTABLE	10-45-S-DIN_1570-BOLTABLE	10-48-S-DIN_1570-BOLTABLE	10-51-S-DIN_1570-BOLTABLE	10-54-S-DIN_1570-BOLTABLE
Part no.	360472400	360472391	360472394	360472397	360472405	360472407	360472409
Description	Parameters	Parameters	Parameters	Parameters	Parameters	Parameters	Parameters
Lifting and tipping capacity (t)	10	10	10	10	10	10	10
Maximum pressure (MPa)	28	28	28	28	28	28	28
H (mm)	1570	1570	1570	1570	1570	1570	1570
O (mm)	225	225	225	225	225	225	225
L (mm)	3600	3900	4200	4500	4800	5100	5400
X (mm)	650	750	850	1100	1200	1300	1400
K (°)	48	48	48	48	48	48	48
T (mm)	100	100	100	100	100	100	100
R (mm)	2381	2450	2523	2486	2560	2635	2711
Ds (mm)	1225	1210	1203	1099	1105	1116	1124
System weight without operating fluids (kg)	1182	1217	1260	1302	1352	1392	1432
MIN./OPTIM./MAX. length of the container (m)	3.1 / 4.4 / 4.6	3.1 / 4.6 / 4.9	3.3 / 4.9 / 5.1	3.6 / 5.1 / 5.4	3.7 / 5.4 / 5.6	4.1 / 5.9 / 6.1	4.4 / 6.1 / 6.4

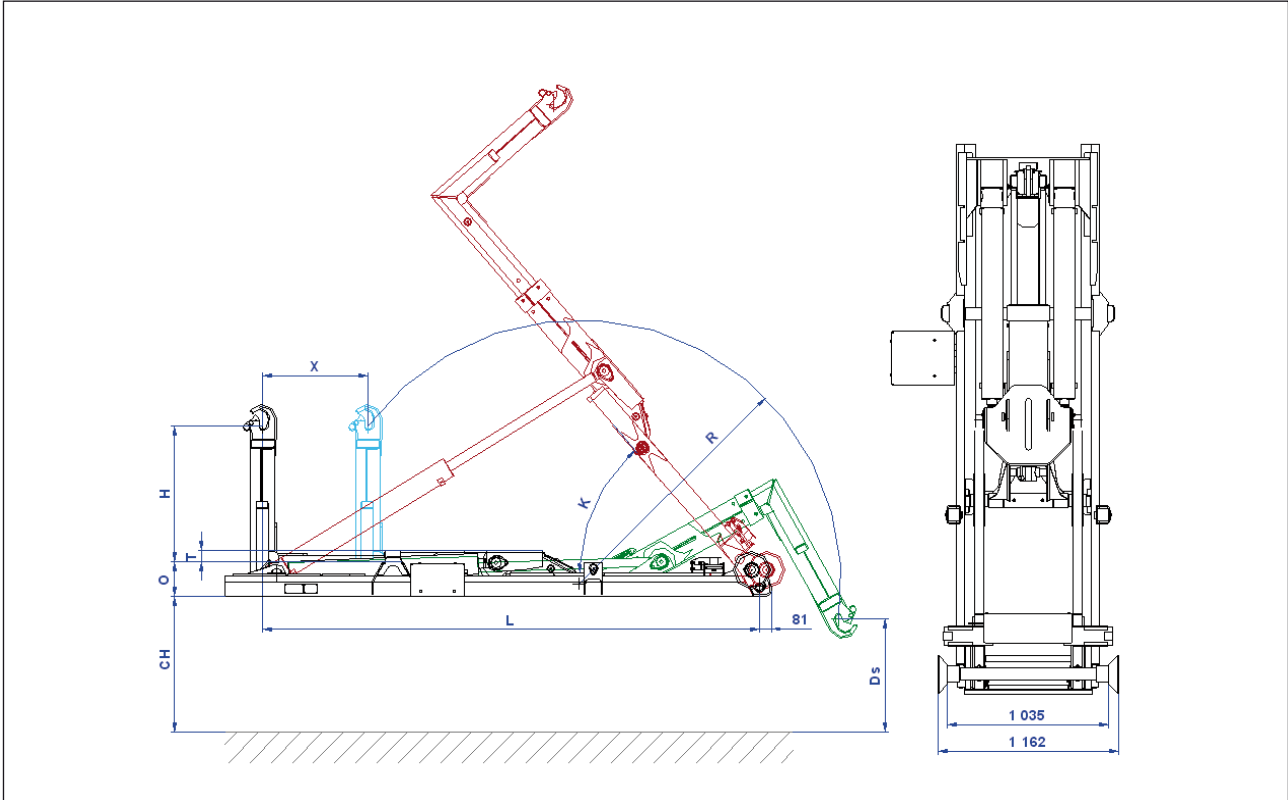
ATTENTION! Maximum length of containers with telescopic bumper only
Height of undercarriage reduces the capacity of the hookloader.

H = height of the pick-up hook (mm)
CH = height of the undercarriage (mm)

Recommended basic volume of oil tank: 60 lt.
Hydraulic requirements - recommended values: 64 lt./min. / 28 MPa
Electric requirements: 12V-7.5A or 24V-5A

H=1190 CH=1050 (mm)

Capacity class of the hookloader: 100 kN
Capacity class of the undercarriage (total weight): 14 - 16 tons



Type	10-33-S-POL	10-36-S-POL
Part no.	360471703	360471713
Description	Parameters	Parameters
Lifting and tipping capacity (t)	10	10
Maximum pressure (MPa)	28	28
H (mm)	1190	1190
O (mm)	225	225
L (mm)	3300	3600
X (mm)	550	650
K (°)	49	49
T (mm)	75	75
R (mm)	2048	2122
Ds (mm)	571	561
System weight without operating fluids (kg)	1085	1123
MIN./MAX. length of the container (m)	PZK-7: 3.6 PZK-9: 4.2	PZK-9: 4.2

ATTENTION! Maximum length of containers with telescopic bumper only
Height of undercarriage reduces the capacity of the hookloader.

H = height of the pick-up hook (mm)
CH = height of the undercarriage (mm)

Recommended basic volume of oil tank: 60 lt.
Hydraulic requirements - recommended values: 64 lt./min. / 28 MPa
Electric requirements: 12V-7.5A or 24V-5A

130 countries
+3,000 employees
25,000 customers
37 subsidiaries
12 production facilities



Hyva is a leading provider of innovative and highly efficient transport solutions for commercial vehicles used in transport, construction, mining, materials handling and environmental service industries.

Founded in 1979 in the Netherlands, the company has a global presence with 37 fully owned subsidiaries, extraordinary service coverage and 12 manufacturing facilities in Brazil, China, Europe and India.

For more information on Hyva, please visit www.hyva.com

or follow us on:



Hyva Holding B.V.
Antonie van Leeuwenhoekweg 37
2408 AK Alphen aan den Rijn
The Netherlands
Telephone: +31 (0)172 - 42 35 55
Telefax: +31 (0)172 - 42 08 80
info@hyva.com
www.hyva.com



Quality and
environmental certified

DEALER STAMP