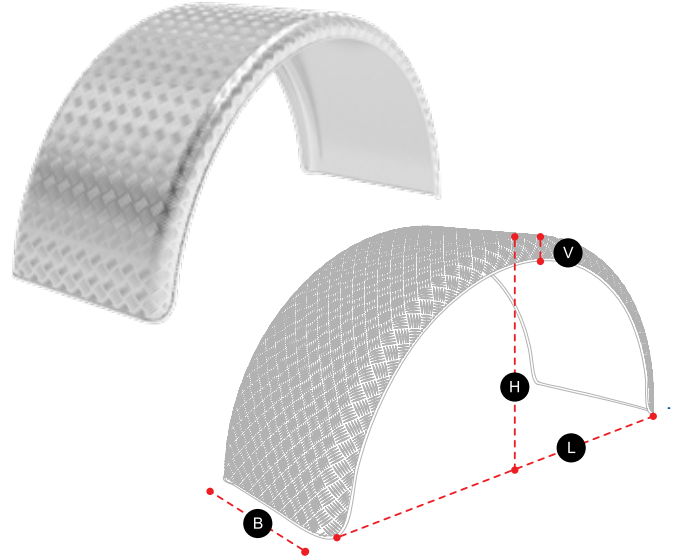




MUDGUARDS

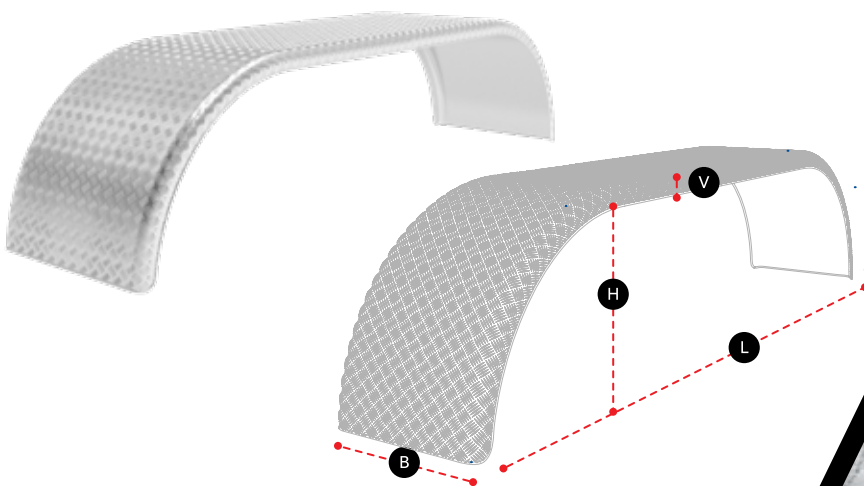
ALUMINIUM TREAD PLATE MUDGUARD - SINGLE AXLE



Part No.	Description	B	L	H	V
07215222	ALU TREAD PLT MUDGUARD	650	1300	630	60
07215223	ALU TREAD PLT MUDGUARD	500	1300	630	60
07170134	ALU TREAD PLT MUDGUARD	650	1280	640	80
07170135	ALU TREAD PLT MUDGUARD	650	1390	640	80

- **3+1 Sheet thickness**
- **Customizable sizes**
- **Impact- and weather resistant**

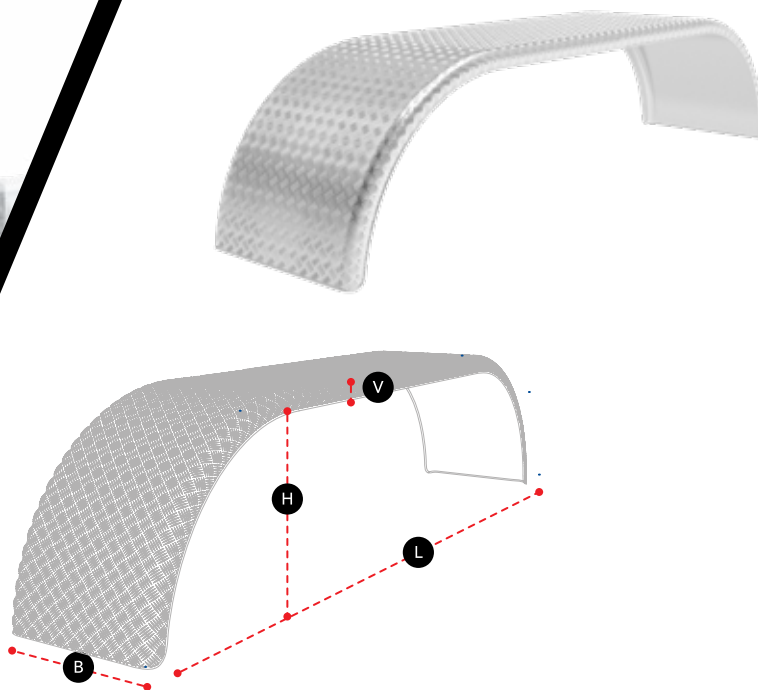
ALUMINIUM TREAD PLATE MUDGUARD - TANDEM 2 AXLE



- **3+1 Sheet thickness**
- **Customizable sizes**
- **Impact- and weather resistant**

Part No.	Description	B	L	H	V
07170138	ALU TREAD PLT MUDGUARD	650	2720	640	80
07170139	ALU TREAD PLT MUDGUARD	650	3300	640	80
07170136	ALU TREAD PLT MUDGUARD	650	4100	640	80

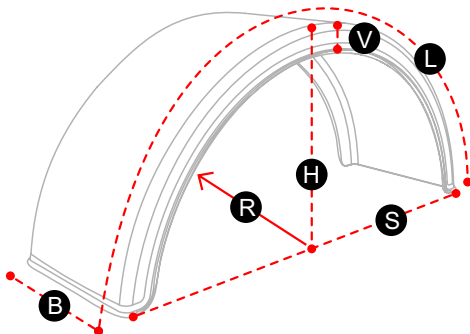
ALUMINIUM TREAD PLATE MUDGUARD - TRIPLE 3 AXLE



Part No.	Description	B	L	H	V
09210031	ALU TREAD PLT MUDGUARD	650	4200	640	80
09210035	ALU TREAD PLT MUDGUARD	650	4600	640	80
09210037	ALU TREAD PLT MUDGUARD	650	5250	640	80

- **3+1 Sheet thickness**
- **Customizable sizes**
- **Impact- and weather resistant**

PLASTIC MUDGUARD

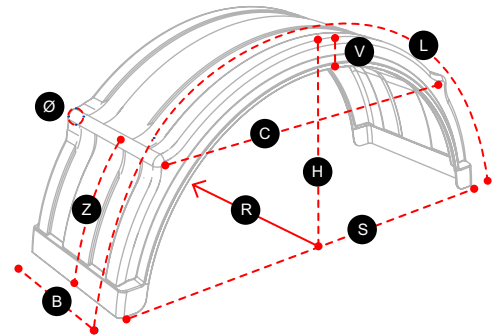


Part No.	Description	B	L	R	S	H	V
07215226	PLSTC MUDGUARD W WHITE BDR	430	1900	650	1300	580	75
07215227	PLSTC MUDGUARD W WHITE BDR	670	2125	670	1340	680	75

- **Limited in size**
- **Basic design**
- **-50°/+80° resistance**



FAST-FIT MUDGUARD WITH WHITE LINE

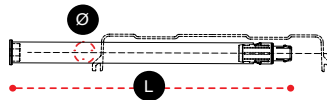


- -75% fixing/unfixing time
- -50°/+80° resistance

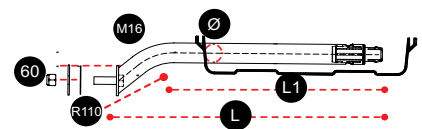
Part No.	Description	B	L	R	S	H	C	V	Z	Ø
07215228	PLS FASTFIT MDG. W WHT BDR	460	1900	650	1300	580	975	75	400	42



Part No.	L	Ø	Thn
07215241	505	42	2.5

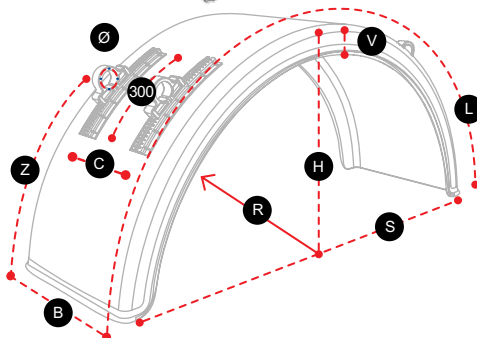


Part No.	L	Ø	Thn
07215242	505	42	2.5



Part No.	L	L1	Ø	Thn
07215243	505	390	42	2.5

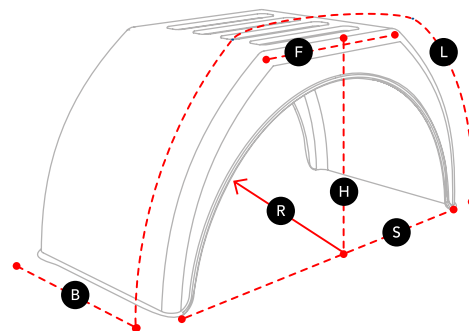
PLASTIC MUDGUARD WITH ADJUSTABLE BRACKETS



- Customizable brackets position
- Basic design
- -50°/+80° resistance

Part No.	Description	B	L	R	S	H	C	V	Z	Ø
07215229	PLS MDG. W WHT BR & ADJ BR	430	1900	650	1300	580	210	75	500	42

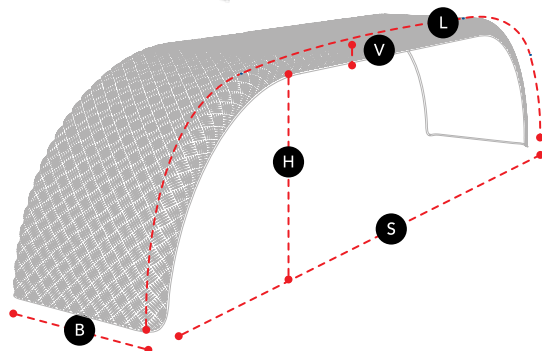
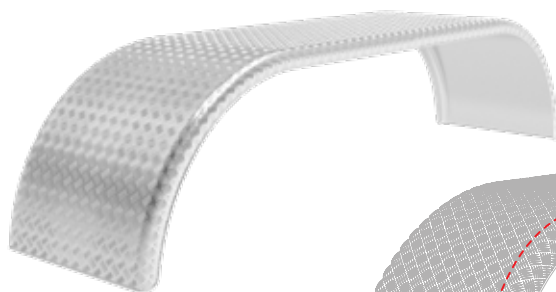
FLAT-TOP PLASTIC MUDGUARD WITH WHITE LINE



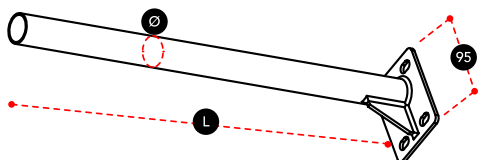
Part No.	Description	B	L	R	S	H	F
07215233	FLATOP PL. MDG W WHT BR	260	1450	380	880	450	400
07215234	FLATOP PL. MDG W WHT BR	450	1480	400	920	460	400

- Direct fixing to the loading platform
- -50°/+80° resistance

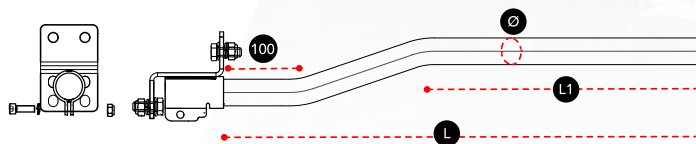
COMPLETE KIT OF ALUMINIUM MUDGUARD



Part No.	Description	B	L	S	H	V	AXLE
AE070402	COMPLETE KIT OF ALUMINIUM MUDGUARD 650x2700						
	ALUMINIUM MUDGUARD WITH MOUNTED BRACKETS	650	3440	2700	650	60	MULTI

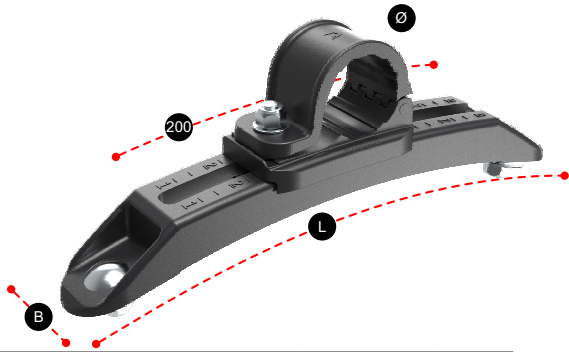


L	Ø
800	42

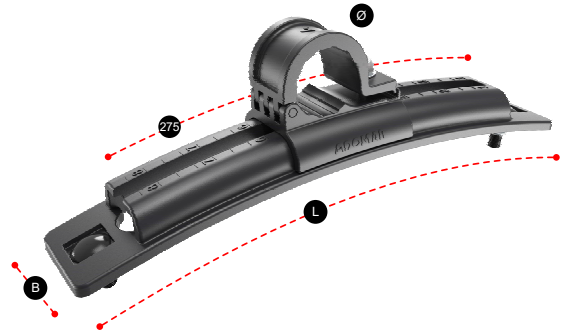


L	L1	Ø
800	530	42

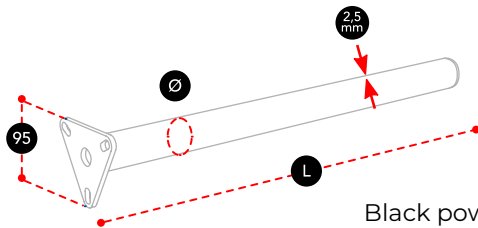
BRACKET AND SUPPORTS



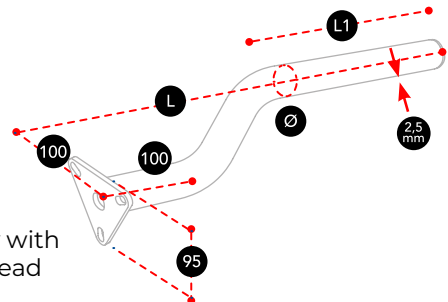
Part No.	Description	Ø	L	B
07215231	WITH CLASP	42	300	43



Part No.	Description	Ø	L	B
07215232	ADJUSTABLE	42	360	68



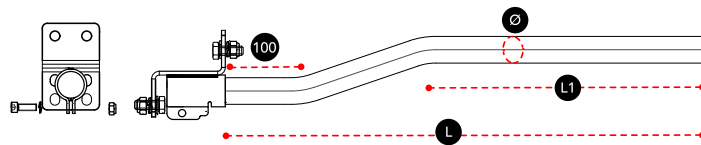
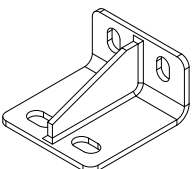
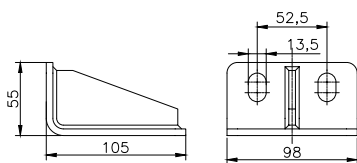
Part No.	L	Ø
07215237	580	42
07215238	800	42



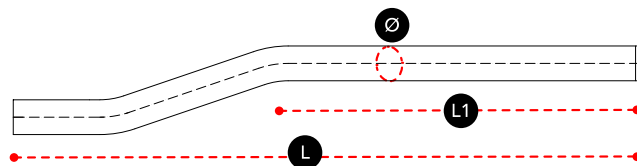
Black powder coated stay with welded internal screw thread

Part No.	L	L1	Ø
07215239	580	310	42
07215240	800	530	42

Part No.	Description
AE083420	BENDED PLATE

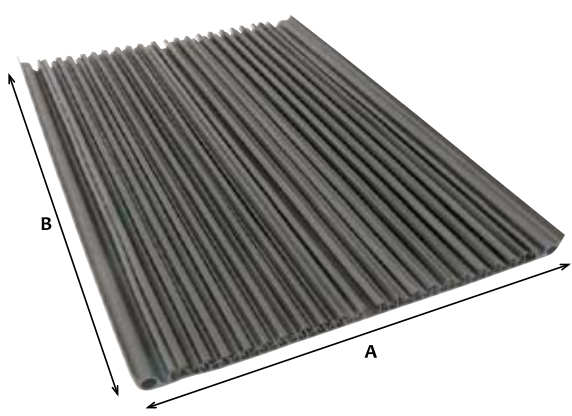


L	L1	Ø
800	530	42



L	L1	Ø
755	441	42

ANTISPRAY MUD FLAP FOR MUDGUARD



Part No.	Description	A	B
08105500	MUDFLAP "HYVA" 600X900MM INCL.FITTING SET	650	700



INNOVATIVE DESIGN, EASY TO FIT UP

110 countries
+3,500 employees
20,000 customers
+30 subsidiaries
12 production facilities



Hyva is a leading provider of innovative and highly efficient transport solutions for commercial vehicles used in transport, construction, mining, materials handling and environmental service industries.

Founded in 1979 in the Netherlands, the company has a global presence with more than 30 wholly owned subsidiaries, extraordinary service coverage and 12 manufacturing facilities in Brazil, China, Europe and India.

For more information on Hyva, please visit www.hyva.com

or follow us on:



Hyva Holding B.V
Antonie van Leeuwenhoekweg 37
2408 AK Alphen aan den Rijn
The Netherlands
Telephone: +31 (0)172 - 42 35 55
Telefax: +31 (0)172 - 42 08 80
info@hyva.com
www.hyva.com



Quality and
environmental certified

DEALER STAMP