



# SPARE PART CATALOGUE ELECTRICS

## VERSION HISTORY

PAGE

2

SHEET

-

SL. No	Version	Date	Description	Person	Chk by
01	AA	14/11/2017	1ST DOCUMENT RELEASE	R.P	G.B
02	AB	05/08/2019	DOCUMENT UPDATE	T.V	P.P
03	AC	27/10/2020	DOCUMENT, FORMAT UPDATE	A.K	R.S
04	AD	04/04/2022	TRR HANDY – OT20122 OPTION ADDED	A.K	G.G
05	AE	04/05/2022	STAB JACKS SENSOR UPDATED	U.M	F.B
06					
07					
08					
09					
10					
11					
12					
13					
14					
15					

## CONTENTS

<b>SPARE PARTS OVERVIEW .....</b>	<b>5</b>
<b>APPENDIX A : PARTLIST .....</b>	<b>7</b>
CABLING.....	7
DISTRIBUTION.....	10
SENSORS.....	11
VALVE AND SOLENOIDS.....	12
MISCELLANEOUS.....	13
MISCELLANEOUS.....	14
EXTRAS.....	15
STANDARD PARTS.....	17
<b>APPENDIX B : DETAILED INFORMATION.....</b>	<b>17</b>
COMBILOCK.....	18
DIN LOCK WITH SAFETY KIT – OT10103/OT10109.....	18
COMBILOCK IN/OUT SIGNALLING KIT – OT20131.....	18
BUMPER SAFETY KIT – OT30108.....	19
AUTO BUMPER KIT – OT30109.....	19
BUMPER SIGNALLING KIT – OT30110.....	19
STABILIZER ROLLER – OT30126/27/28/29.....	20
STAB JACKS – OT30113/14/15/18/19/23/24/25.....	20
HYDRAULIC CRANE LOCKING W/ SAFETY FEED – OT20111.....	21
FRONT LOCKS – OT20112.....	21
FAST OFFLOAD – OT20101.....	22
CUSHIONING SYSTEM – OT20141.....	22
ACOUSTIC SIGNAL (EXTERNAL BUZZER) – OT20124.....	23
TIPPING FRAME LIMITATION – OT20126.....	23

SHORT CONTAINER SAFETY – OT20127.....	23
MAIN CYLINDER SAFETY – OT20142.....	24
AUTO PNEUMATIC HOOK LOCK – OT20143.....	24
TITAN RADIO REMOTE HANDY (TRR HANDY) – OT20122.....	25

## SPARE PARTS OVERVIEW

REFERENCE

PAGE

4

SHEET

1/2

POS.	PART DESCRIPTION	HYVA PART NO.	FUNCTIONS																		
			SIGNALLING						SAFETY						CONTROL						
			STANDARD	BUMPER SIGNALLING	COMBILOCK	COMBILOCK SIGNALLING	STAB JACKS	STAB ROLLER	PTO BUZZER	BUMPER SAFETY	CRANE ACTIVATION	CUSHIONING SYSTEM	DIN LOCK SAFETY	EMERGENCY STOP	FRONT LOCK SAFETY	REAR LOCK SAFETY	MAIN CYLINDER SAFETY KIT	TIPPING LIMITATION	AUTO BUMPER	AUTO PNEU. HOOK LOCK	FAST OFFLOAD
<b>A</b>	<b>Cabling</b>																				
1	Display Cable Box Side 8X0.22MM - 8.5M	H0002504	•																		
2	Display Cable Cabin Side 8X0.22MM	H0004616	•																		
3	Display Cable Optional 4X0.22MM - 15M	H0004644																			
4	Power Cable 2x0.75MM <sup>2</sup> - 0,8M	35060200																			
4	Power Cable 2x0.75MM <sup>2</sup> - 8M	35060200																			
4	Power Cable 2x0.75MM <sup>2</sup> - 11M	35060200																			
5	Power Cable 3x0.75MM <sup>2</sup> - 11M	H0004645	•																		
6	Sensor Cable 0° F. 4x0.34MM <sup>2</sup> - 10M	35000018																			
7	Sensor Cable 90° F. 4x0.34MM <sup>2</sup> - 10M	35000015	•	•	•	•	•	•	•	•	•	•	•	•	•	•	•	•	•	•	•
8	Valve Cable FORM-B (IND) 2x0.75MM <sup>2</sup> - 0,8M	H0002558																			
9	Valve Cable FORM-A 3x0.75MM <sup>2</sup> - 10M	SLE01090																			
10	Power Cable TRR Handy	AE083125																			
11	Fast Offload Cable O/E TRR Handy	AE083128																			
12	Fast Offload Cable DIN-A TRR Handy	AE083120																			
13	Antenna Extension Cable 3M	AE083091																			
<b>B</b>	<b>Distribution</b>																				
1	Distribution Box Machined 12 Holes	H0003872	•																		
2	Distribution Box Machined 18 Holes	H0003898	•																		
3	Print Plate Standard 46 Clamps	H0004068	•																		
4	Print Plate Standard 101 Clamps	H0004069	•																		
<b>C</b>	<b>Sensors</b>																				
1	Inclino Switch NO/NC 12/24VDC	AE082136																			
2	Pressure Switch NC 12/24VDC	35010340																			
3	Proximity Switch NC 12/24VDC	09228168V	•	•	•	•	•	•	•	•	•	•	•	•	•	•	•	•	•	•	•
4	Proximity Switch NO 12/24VDC	09228171M		•																	
<b>D</b>	<b>Valves and Solenoids</b>																				
1	Solenoid 12V for Cartridge Valve	31090214																			
2	Solenoid 24V for Cartridge Valve	31090212																			
3	Pneumatic 3/2 Valve NC 24VDC	H0002551																			
4	Pneumatic 5/2 Valve NC 24VDC	NB000258																			
5	Cartridge Valve	31090200																			

## SPARE PARTS OVERVIEW

REFERENCE

PAGE

5

SHEET

2/2

POS.	PART DESCRIPTION	HYVA PART NO.	FUNCTIONS																		
			SIGNALLING						SAFETY						CONTROL						
			STANDARD	BUMPER SIGNALLING	COMBILOCK	COMBILOCK SIGNALLING	STAB JACKS	STAB ROLLER	PTO BUZZER	BUMPER SAFETY	CRANE ACTIVATION	CUSHIONING SYSTEM	DIN LOCK SAFETY	EMERGENCY STOP	FRONT LOCK SAFETY	REAR LOCK SAFETY	MAIN CYLINDER SAFETY KIT	TIPPING LIMITATION	AUTO BUMPER	AUTO PNEU.HOOK LOCK	FAST OFFLOAD
<b>E</b>	<b>Miscellaneous</b>																				
1	Automotive Plug-In Relay 12VDC	35080500									•								•		
2	Automotive Plug-In Relay 24VDC	H0002318									•								•		
3	Connector Form-A + GASKET	NB000374																		•	
4	External Buzzer	14880582							•												
5	LED Display Unit	H0004620	•																		
6	Protection Cap for Pressure Switch	35010301								•											
7	Diode 6A	AE082796														•					
8	Cable Tag Red 6.3MM	35090004							•		•								•		
9	Rubber Bulkhead for Distribution Box	H0002370	•																		
10	Emergency Stop Switch	P1003134											•								
<b>F</b>	<b>Extras</b>																				
1	Transmitter TRR Handy	AE083134																			•
2	Control Box Standard TRR Handy 12/24V	AE083132/23																			•
3	Control Box Crane Lock Config. TRR Handy 12/24V	AE083171/72																			•
4	Antenna 2.4GHz	AE083092																			•
5	Pneumatic Silencer 6MM	AE083118																			•
6	Mounting Rubber Kit	AE083098																			•
7	Transmitter Battery TRR Handy	AE083127																			•
8	Battery Charger for TRR Handy	AE083126																			•
9	Control Box Label Set TRR Handy	AE083103																			•
10	Transmitter Label Set TRR Handy	AE083129																			•

**APPENDIX A : PARTLIST**

**REFERENCE**

**PAGE**

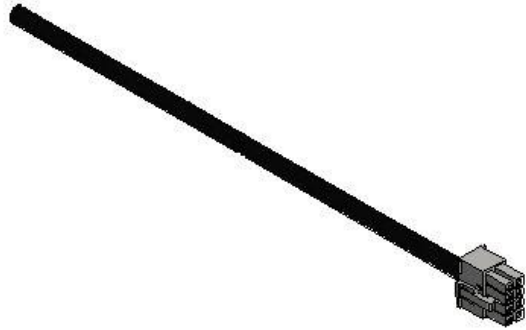
**6**

-

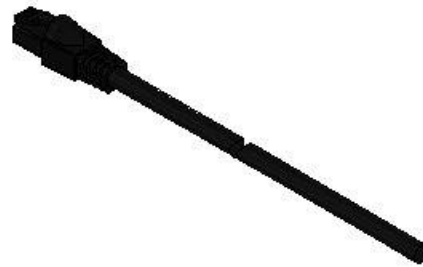
**SHEET**

**1/10**

**CABLING**



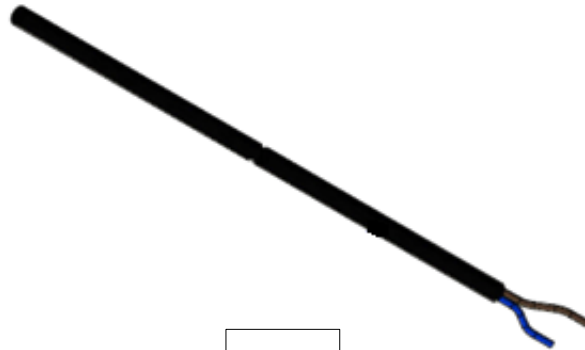
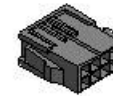
A1



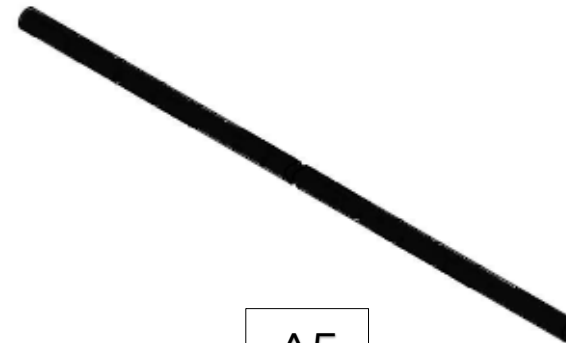
A2



A3



A4



A5

**APPENDIX A : PARTLIST**

**REFERENCE**

**PAGE**

**7**

-

**SHEET**

**2/10**

**CABLING**



A6



A7



A8



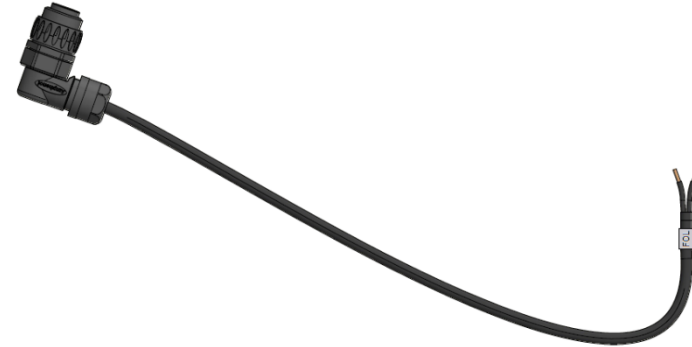
A9



**CABLING**



A10



A11

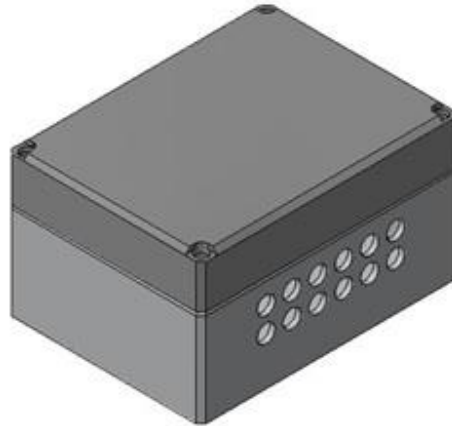


A12

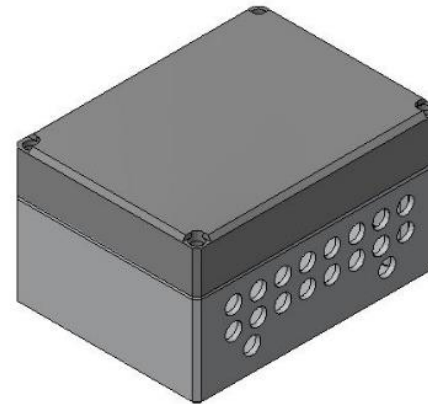


A13

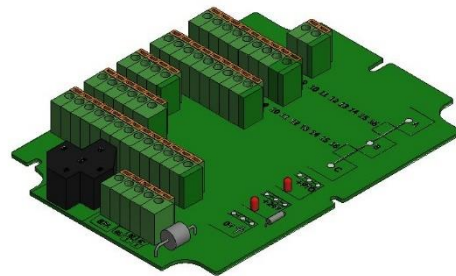
**DISTRIBUTION**



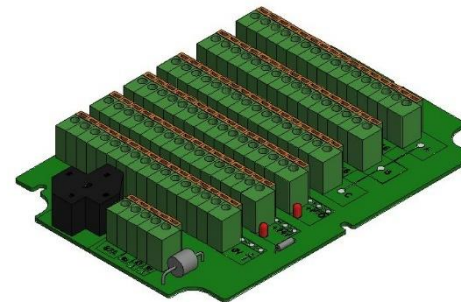
B1



B2

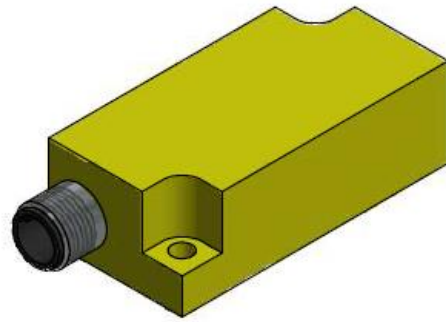


B3

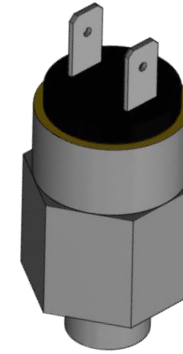


B4

**SENSORS**



C1



C2



C3



C4



C5

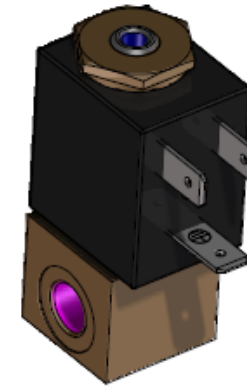
**VALVE AND SOLENOIDS**



D1



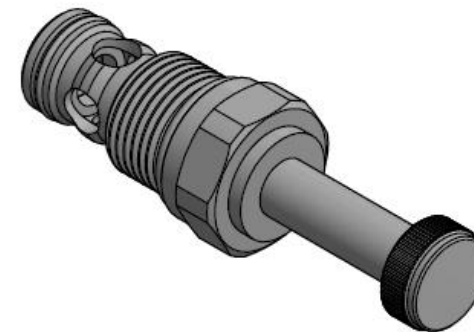
D2



D3



D4



D5

MISCELLANEOUS



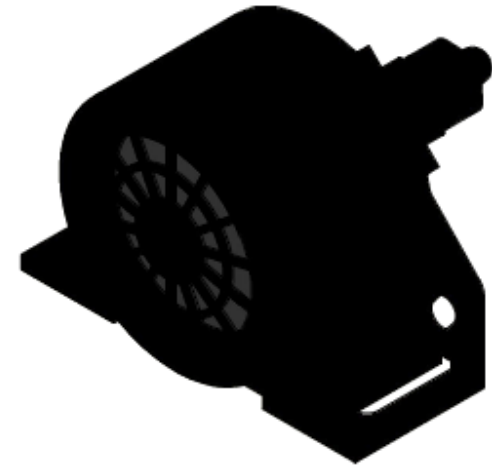
E1



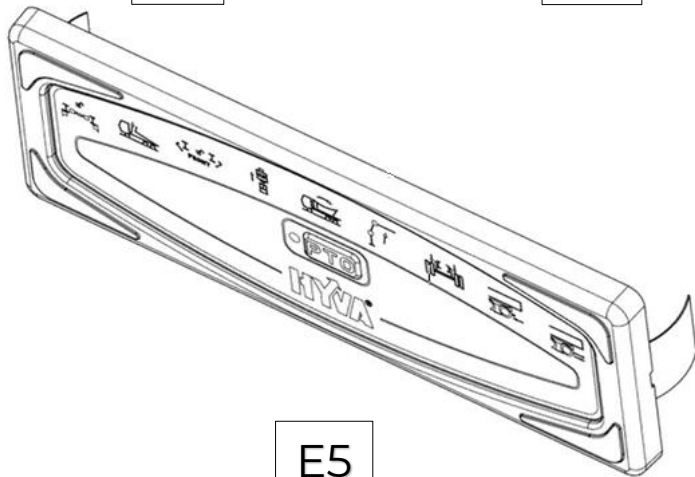
E2



E3



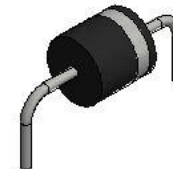
E4



E5



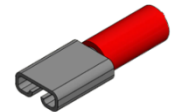
E6



E7



E8



E9

**APPENDIX A : PARTLIST**

**REFERENCE**

**PAGE**

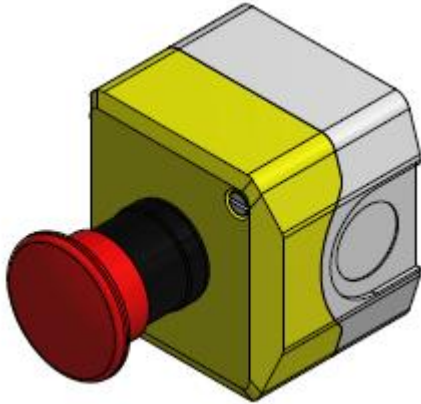
**13**

**35400402**

**SHEET**

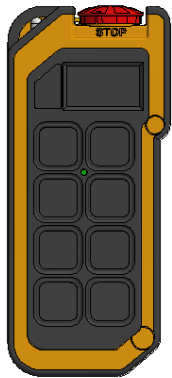
**8/10**

**MISCELLANEOUS**



E10

EXTRAS



F1



F2



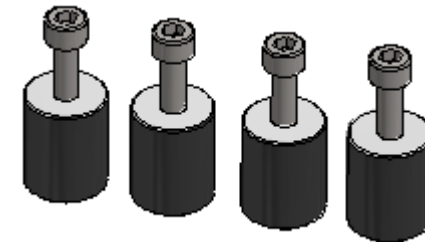
F3



F4



F5



F6

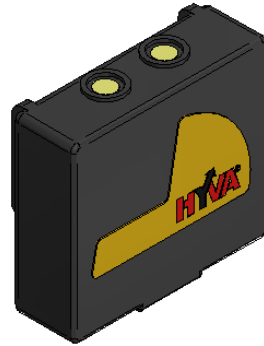
# APPENDIX A : PARTLIST

REFERENCE

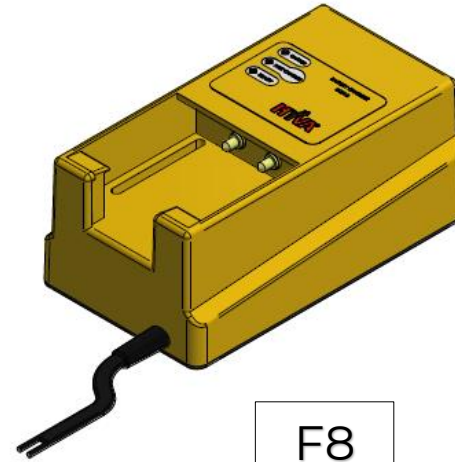
PAGE  
15

-

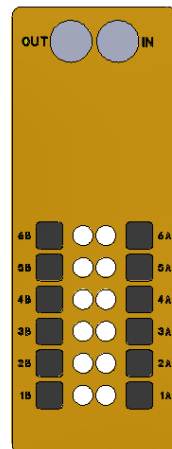
SHEET  
10/10



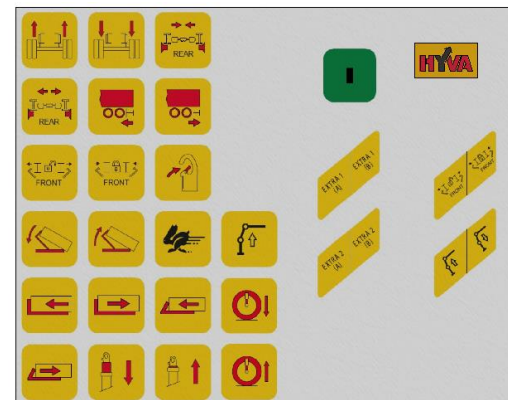
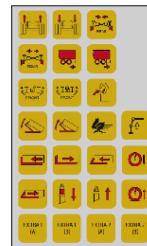
F7



F8



F9



F10



**APPENDIX B : DETAILED INFORMATION**

**REFERENCE**

**PAGE**

**16**

**SHEET**

**1/9**

**STANDARD PARTS**

Pos	Part Number	Qty	Description	Component Tag
B1	H0003872	1	DISTRIBUTION BOX MACHINED 12 HOLES	EL. BOX
B2	H0003898	1	DISTRIBUTION BOX MACHINED 18 HOLES	EL. BOX
E7	H0002370	12/18	WIRE PLUG 4MM TO 6MM	BULKHEAD
B3	H0004068	1	PRINT PLATE STD. 46 CLAMPS	PCB-46
B4	H0004069	1	PRINT PLATE OPT. 101 CLAMPS	PCB-101
A5	H0004645	1	CABLE 3X0.75MM ROUND	+/- 24V / PTO
A1	H0002504	1	MOLEX PLUG INCL. 8.5M CABLE 8X0.22MM	L1
E4	H0004620	1	LED DISPLAY UNIT HOOKLOADER	-
A2	H0004616	1	CONN. CABLE MOLEX 8P TP RJ45	CONNECTOR 1

Pos.	Part Number	Qty	Description	Cable Length (mm)	Component Tag
A7	35000015	1	SENSOR CABLE 4C F. 90°	1700	S1
C3	09228168V	1	PROXIMITY SWITCH NC M12	-	S1

**APPENDIX B : DETAILED INFORMATION**

**REFERENCE**

**PAGE  
17**

**HEA00020/22  
HEA00080**

**SHEET  
2/9**

**COMBILOCK**

Pos.	Part Number	Qty	Description	Cable Length (mm)	Component Tag
A7	35000015	2	SENSOR CABLE 4C F. 90°	5700	S2, S3
C3	09228168V	2	PROXIMITY SWITCH NC M12	-	S2, S3

**DIN LOCK WITH SAFETY KIT – OT10103/OT10109**

Pos.	Part Number	Qty	Description	Cable Length (mm)	Component Tag
A7	35000015	1	SENSOR CABLE 4C F. 90°	8000	S4
C3	09228168V	1	PROXIMITY SWITCH NC M12	-	S2, S3
A8	H0002558	1	CABLE + PLUG FOR PN. VALVE	600	K6
D3	H0002551	1	3/2 VALVE NC 24V	-	K6

**COMBILOCK IN/OUT SIGNALLING KIT – OT20131**

Pos.	Part Number	Qty	Description	Cable Length (mm)	Component Tag
A7	35000015	2	SENSOR CABLE 4C F. 90°	5700	S20, S30
C3	09228168V	2	PROXIMITY SWITCH NC M12	-	S20, S30

**APPENDIX B : DETAILED INFORMATION**

**REFERENCE**

**PAGE**

**18**

**HEA00053  
HEA00052/54**

**SHEET**

**3/9**

**BUMPER SAFETY KIT – OT30108**

Pos.	Part Number	Qty	Description	Cable Length (mm)	Component Tag
A7	35000015	1	SENSOR CABLE 4C F. 90°	6000	S5
C3	09228168M	1	PROXIMITY SWITCH NO M12	-	S5
A8	H0002558	1	CABLE + PLUG FOR PN. VALVE	600	K2
D3	H0002551	1	3/2 VALVE NC 24V	-	K2

**AUTO BUMPER KIT – OT30109**

Pos.	Part Number	Qty	Description	Cable Length (mm)	Component Tag
A7	35000015	2	SENSOR CABLE 4C F. 90°	6000	S5, S6
C3	09228168M	2	PROXIMITY SWITCH NO M12	-	S5, S6
A4	35060200	2	CABLE 2X0.75MM ROUND	600	K1, K2
D4	NB000258	2	5/2 PN. VALVE MONOSTABLE	-	K1, K2

**BUMPER SIGNALLING KIT – OT30110**

Pos.	Part Number	Qty	Description	Cable Length (mm)	Component Tag
A7	35000015	2	SENSOR CABLE 4C F. 90°	6000	S5, S6
C3	09228168M	2	PROXIMITY SWITCH NO M12	-	S5, S6

<b>APPENDIX B : DETAILED INFORMATION</b>	<b>REFERENCE</b>	<b>PAGE 19</b>
	<b>AE083213 AE083471</b>	<b>SHEET 4/9</b>

**STABILIZER ROLLER – OT30126/27/28/29**

Pos.	Part Number	Qty	Description	Cable Length (mm)	Component Tag
A7	35000015	1	SENSOR CABLE 4C F. 90°	8000	S5, S6
C3	09228168V	1	PROXIMITY SWITCH NC M12	-	S15

**STAB JACKS – OT30113/14/15/18/19/23/24/25**

Pos.	Part Number	Qty	Description	Cable Length (mm)	Component Tag
A7	35000015	2	SENSOR CABLE 4C F. 90°	8000	S14, S15
C5	DH0011605	2	CYLINDER SENSOR MFH204	-	S14, S15

**APPENDIX B : DETAILED INFORMATION**

**REFERENCE**

**PAGE  
20**

**HEA00103  
HEA00102**

**SHEET  
5/9**

**HYDRAULIC CRANE LOCKING W/ SAFETY FEED – OT20111**

Pos.	Part Number	Qty	Description	Cable Length (mm)	Component Tag
A7	35000015	2	SENSOR CABLE 4C F. 90°	5000	S9, S10
C3	09228168V	2	PROXIMITY SWITCH NC M12	-	S9, S10
A4	35060200	1	CABLE 2X0.75MM ROUND	4000	-
E8	35090004	2	CABLE TAG 6.3MM RED	-	-
C2	35010340	1	PRESSURE SWITCH NC	-	DS2
E5	35010301	1	PROTECTION CAP PRESSURE SW.	-	-
A4	H0002558	2	CABLE + PLUG FOR PN. VALVE	600	K8, K9
D3	H0002551	1	3/2 VALVE NC 24V	-	K8
D4	NB000258	1	5/2 PN. VALVE MONOSTABLE	-	K9
A3	H0004644	1	DISPLAY CABLE OPT. 4P RJ11	15000	CONNECTOR 2

**FRONT LOCKS – OT20112**

Pos.	Part Number	Qty	Description	Cable Length (mm)	Component Tag
A7	35000015	2	SENSOR CABLE 4C F. 90°	5000	S9, S10
C3	09228168V	2	PROXIMITY SWITCH NC M12	-	S9, S10
A4	H0002558	1	CABLE + PLUG FOR PN. VALVE	600	K8
D3	H0002551	1	3/2 VALVE NC 24V	-	K8
A3	H0004644	1	DISPLAY CABLE OPT. 4P RJ11	15000	CONNECTOR 2

**APPENDIX B : DETAILED INFORMATION**

**REFERENCE**

**PAGE  
21**

**HEA00090  
AE082140/42**

**SHEET  
6/9**

**FAST OFFLOAD – OT20101**

Pos.	Part Number	Qty	Description	Cable Length (mm)	Component Tag
A4	35060200	1	CABLE 2X0.75MM ROUND	11000	K14
A4	35060200	1	CABLE 2X0.75MM ROUND	8000	C1
E2	NB000374	1	CONNECTOR DIN-A 43650 + GASKET	-	K14
D1	31090214	1	SOLENOID COIL 12V	-	K14
D2	31090212	1	SOLENOID COIL 24V	-	K14
D5	31090200	1	CARTRIDGE VALVE	-	K14

**CUSHIONING SYSTEM – OT20141**

Pos.	Part Number	Qty	Description	Cable Length (mm)	Component Tag
A6	35000018	1	SENSOR CABLE 4C F. 0°	8500	IM1
A9	SLE01090	1	CONNECTOR WITH CABLE DIN43650 FORM A	7000	K40
E1	H0002318	1	PLUG IN AUTOMOTIVE RELAY 24V	-	R
E1	35080500	1	PLUG IN AUTOMOTIVE RELAY 12V	-	R
C1	AE082136	1	INCLINOMETER SWITCH 0-360°	-	IM1
D1	31090214	1	SOLENOID COIL 12V	-	K40
D2	31090212	1	SOLENOID COIL 24V	-	K40
D5	31090200	1	CARTRIDGE VALVE	-	K40

**APPENDIX B : DETAILED INFORMATION**

**REFERENCE**

**PAGE  
22**

**HEA00071  
HEA00110  
HEA00061**

**SHEET  
7/9**

**ACOUSTIC SIGNAL (EXTERNAL BUZZER) – OT20124**

Pos.	Part Number	Qty	Description	Cable Length (mm)	Component Tag
A4	35060200	1	CABLE 2X0.75MM ROUND	600	B2
E8	35090005	2	CABLE TAG 6.3MM RED	-	-
E3	14880582	1	EXTERNAL BUZZER	-	B2

**TIPPING FRAME LIMITATION – OT20126**

Pos.	Part Number	Qty	Description	Cable Length (mm)	Component Tag
A7	35000015	1	SENSOR CABLE 4C F. 90°	5700	S13
C3	09228168V	1	PROXIMITY SWITCH NC M12	-	S13
A4	H0002558	1	CABLE + PLUG FOR PN. VALVE	600	K2
D3	H0002551	1	3/2 VALVE NC 24V	-	K2

**SHORT CONTAINER SAFETY – OT20127**

Pos.	Part Number	Qty	Description	Cable Length (mm)	Component Tag
A7	35000015	1	SENSOR CABLE 4C F. 90°	8500	S8
C3	09228168V	1	PROXIMITY SWITCH NC M12	-	S8
A4	H0002558	2	CABLE + PLUG FOR PN. VALVE	600	K10, K11
D3	H0002551	2	3/2 VALVE NC 24V	-	K10, K11

**APPENDIX B : DETAILED INFORMATION**

**REFERENCE**

**PAGE**

**23**

**AE082914  
AE082910**

**SHEET  
8/9**

**MAIN CYLINDER SAFETY – OT20142**

Pos.	Part Number	Qty	Description	Cable Length (mm)	Component Tag
A7	35000015	1	SENSOR CABLE 4C F. 90°	8500	S8, S40
C3	09228168V	1	PROXIMITY SWITCH NC M12 (IGC236)	-	S8
C4	09228168M	1	PROXIMITY SWITCH NO M12 (IGC221)	-	S40
E6	AE082796	1	DIODE 6A	-	-
D3	H0002551	1	3/2 VALVE NC 24V	-	K2
A4	H0002558	1	CABLE + PLUG FOR PN. VALVE	800	K2

**AUTO PNEUMATIC HOOK LOCK – OT20143**

Pos.	Part Number	Qty	Description	Cable Length (mm)	Component Tag
A6	35000018	1	SENSOR CABLE 4C F. 0°	8500	IM1
A4	H0002558	1	CABLE + PLUG FOR PN. VALVE	800	K41
D3	H0002551	1	3/2 VALVE NC 24V	-	K41
E1	H0002318	1	PLUG IN AUTOMOTIVE RELAY 24V	-	R7
E1	35080500	1	PLUG IN AUTOMOTIVE RELAY 12V	-	R7
C1	AE082136	1	INCLINOMETER SWITCH 0-360°	-	IM1
E8	35090004	4	CABLE TAG 6.3MM RED	-	-



**APPENDIX B : DETAILED INFORMATION**

**REFERENCE**

**PAGE**

**24**

**AE083130/33  
AE083170/73**

**SHEET  
9/9**

**TITAN RADIO REMOTE HANDY (TRR HANDY) – OT20122**

<b>POS</b>	<b>PART DESCRIPTION</b>	<b>HYVA PART NO.</b>
1	TRANSMITTER	AE083134
2	CONTROL BOX STANDARD 12V/24V	AE083132/23
3	CONTROL BOX CRANE LOCK CONFIG 12V/24V	AE083171/72
4	ANTENNA EXTENSION CABLE 3M	AE083091
5	ANTENNA 2.4GHZ	AE083092
6	PNEU. SILENCER	AE083118
7	MOUNTING RUBBER KIT	AE083098
8	POWER CABLE	AE083125
9	TRANSMITTER BATTERY	AE083127
10	CONTROL BOX LABEL SET	AE083103
11	TRANSMITTER LABEL SET	AE083129
12	BATTERY CHARGER	AE083126
13	FAST OFFLOAD CABLE O/E	AE083128
14	FAST OFFLOAD CABLE DIN-A	AE083120