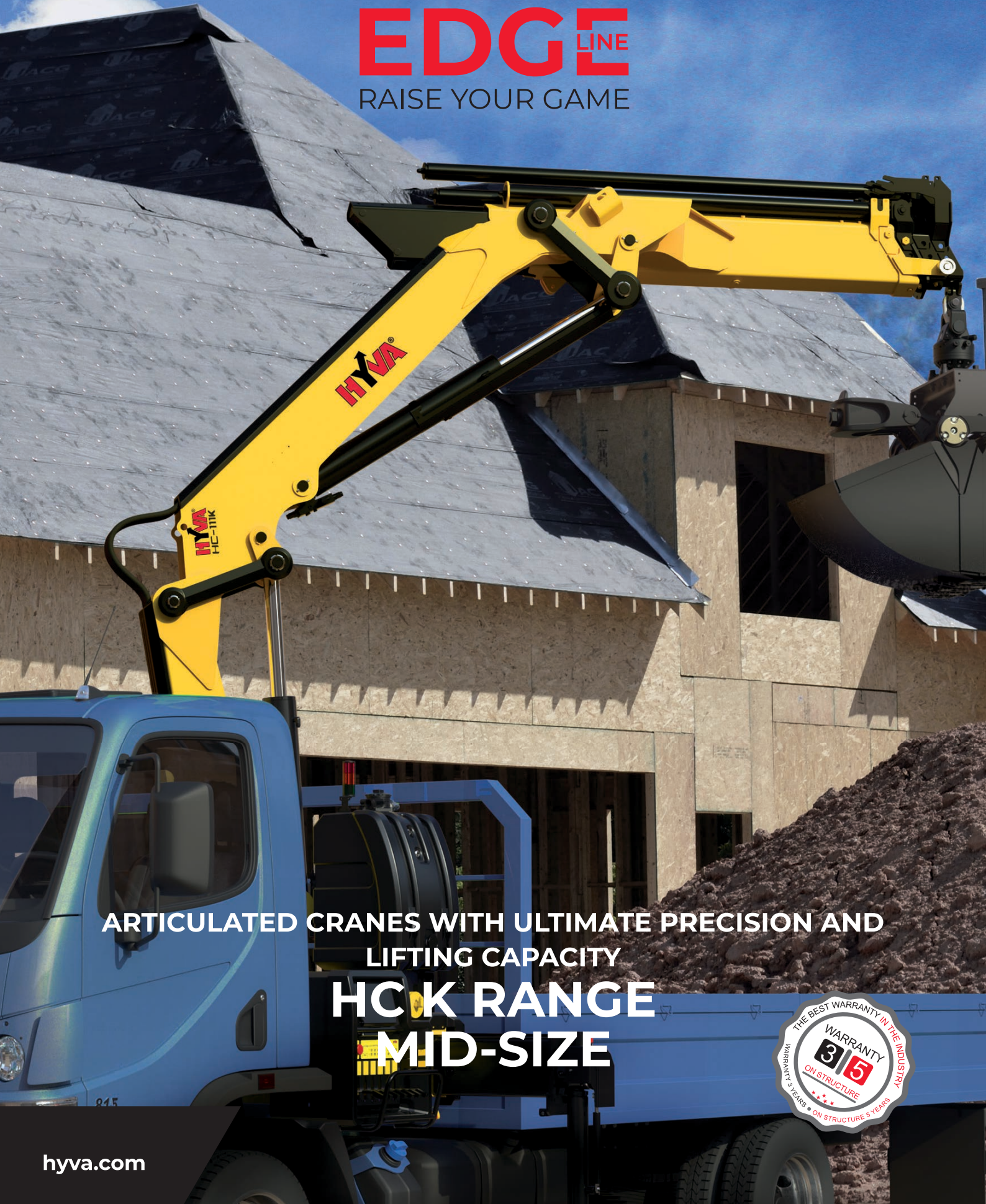


EDGE LINE
RAISE YOUR GAME

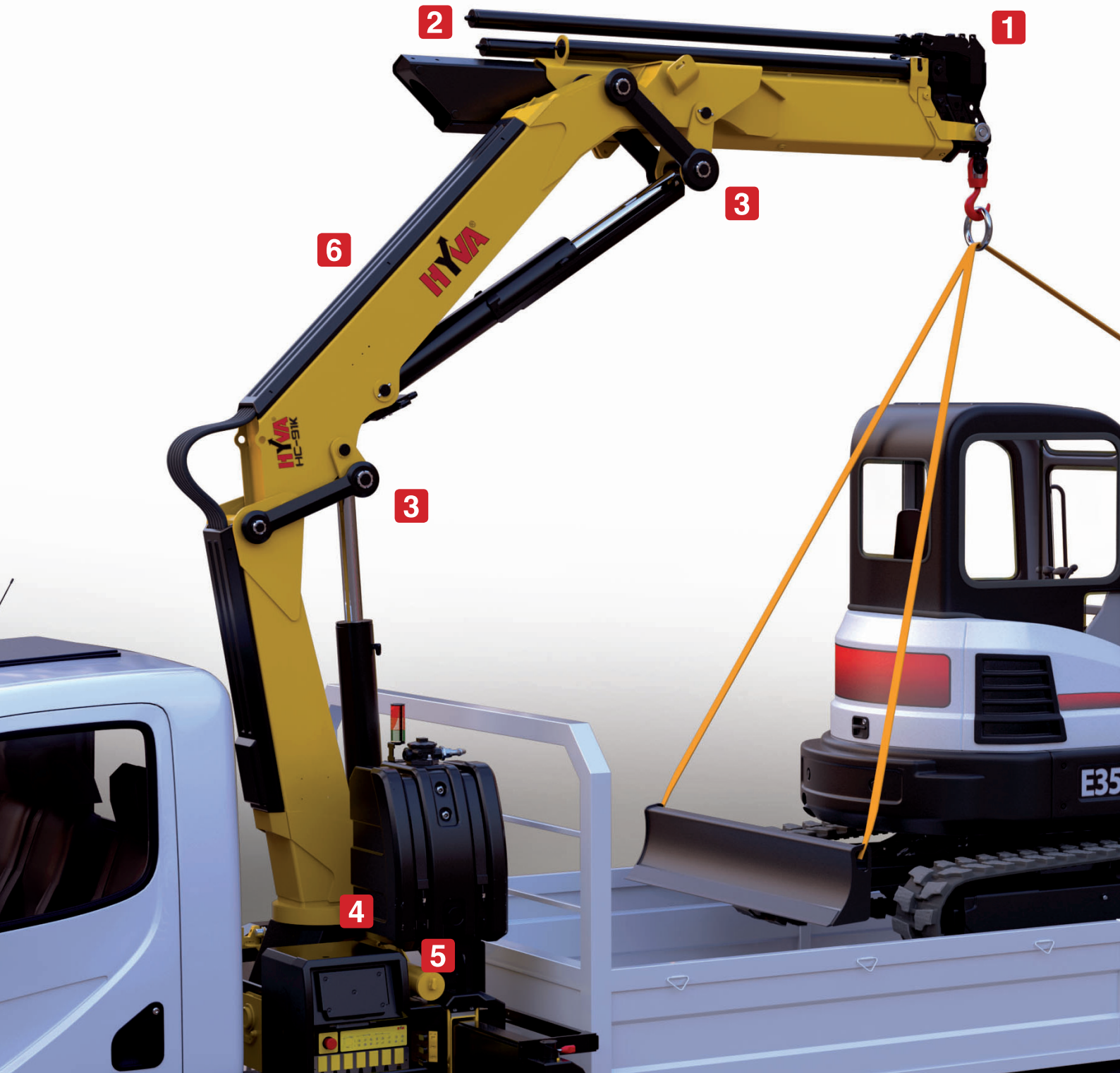


ARTICULATED CRANES WITH ULTIMATE PRECISION AND
LIFTING CAPACITY

HC K RANGE
MID-SIZE



RAISE YOUR GAME HYVA PERFORMANCE



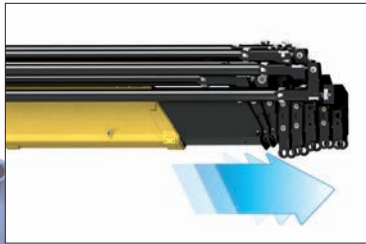
TOP SOLUTIONS



1 TPP

- **Top protection painting** - Top quality cathodesis treatment and paint process on all crane components ensures higher value retention and durability.
- Bolts and nuts protected by Geomet® treatment: 890% more resistance against corrosion.

Top quality protection for harsh environment



2 EES

- **Extra Extension Speed** - The market is always demanding more speed along with the highest possible safety. EES is the answer. Through the use of a specially designed counterbalance valve, this system increases the extension speed without affecting the crane's safety.

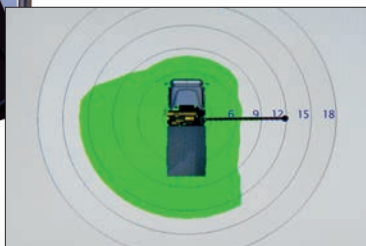
Save time, precise work, increase efficiency



3 LAS

- **Liftrrod Articulating System** - Joins forged double linkages on the column and second boom. Its design raises the mechanical advantage of the articulation to provide consistent force through all working angles.

Precision and versatility for all working positions



4 DLD

- **Dynamic Load Diagram** - After the stabilization, operator can select the load to be lifted. Display shows the permitted crane outreach based on the stability and the load selected.

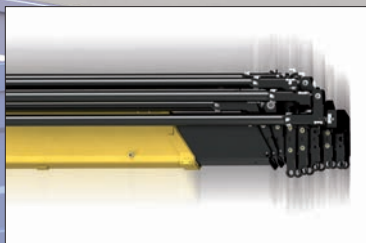
Crane lifting capacity always under control in all stabilizer positions



5 MT

- **Magic Touch System** - Allows the driver to open the crane from transport position to working position and back by pushing a single lever on the radio transmitter (or a button on the display).

Crane Automatic folding/unfolding



6 SDS

- **Smooth Descent System** - Uses a special counterbalance valve to reduce boom oscillation, the result for the user is incredible precision in unloading operations.

Control and precision of the movement

TECHNICAL SOLUTIONS TO RAISE RELIABILITY AND SAFETY

Safety first: always stable



- More than 40 stabilizer configurations to ensure safe positioning of the truck in all ground conditions.
- Assisted tiltable stabilizers are the smart solution. Equipped with a gas spring, they provide effortless movement.

High performance on tall loads and close lifts



- Short boom able to fit in less than 4m truck body
- Optimised to use with attachments
- Higher lifting capacity.

Electronics in mind: guaranteed in all conditions



- All electrical components have IP69K enclosures which offer complete protection against water jet and dust penetration providing higher durability and less down time.

Safety Performance Efficiency



H3XL

With a 3" TFT display and ergonomic keyboard, the crane operator can select optimum functional parameters. The system controls the stability with 2-step beam outreach monitoring and continuous slewing control.

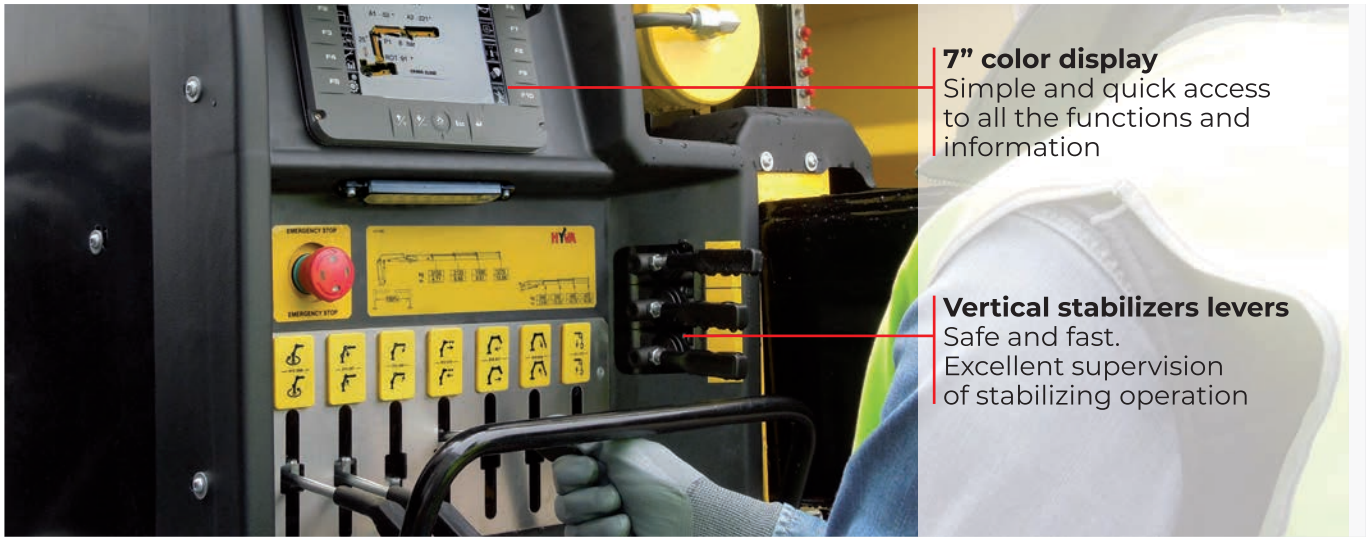


H4XL

A 7" colour display with integrated keyboard gives the operator a higher level of awareness of the crane operation and allows selection of the best parameters for effective use. The system detects the exact position of the beams and proportionally calculates the stability.

SMART AND **USER-FRIENDLY** CONTROLS

Control station distinguished by operator comfort and user-friendly interface derived from dedicated ergonomic and user preference studies



7" color display
Simple and quick access to all the functions and information

Vertical stabilizers levers
Safe and fast. Excellent supervision of stabilizing operation

OUR INNOVATIONS ARE **CHANGING THE GAME**

Solutions that are the result of smart engineering

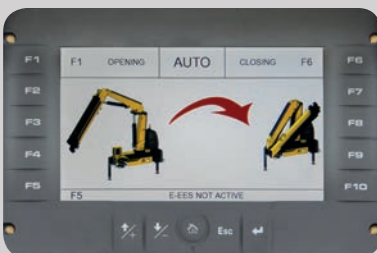
DLD DYNAMIC LOAD DIAGRAM



This system, a first on truck-mounted articulated cranes, optimises stabilization, makes crane operation safer and more efficient and allows the driver to verify in advance the crane lifting capacity based on truck stability.

A graphic display shows the outreach available for the load selected and the actual boom slewing position.

MT MAGIC TOUCH



This easy-to-use function improves driver attention, promotes safety, saves time and increases productivity.

Once the truck is stabilized, a graphic display allows the driver to automatically unfold the crane to a working position and fold the crane from any position to transport position.

Wide range Radio selection



Hetronic NOT CE



Hetronic CE Basic



Scanreco



Hetronic CE Graphic



distributor



A TEAM OF SKILLED AND CARING SPECIALISTS

Easy installation and smart calibration cranes, combined with a high level of service, make Hyva the best partner for your business - all over the world



ONE CRANE, **MANY APPLICATIONS**

Thanks to the extensive range of accessories and attachments



Building



Construction



Energy



Environment



Gardening



Logistics



Maintenance



Mining



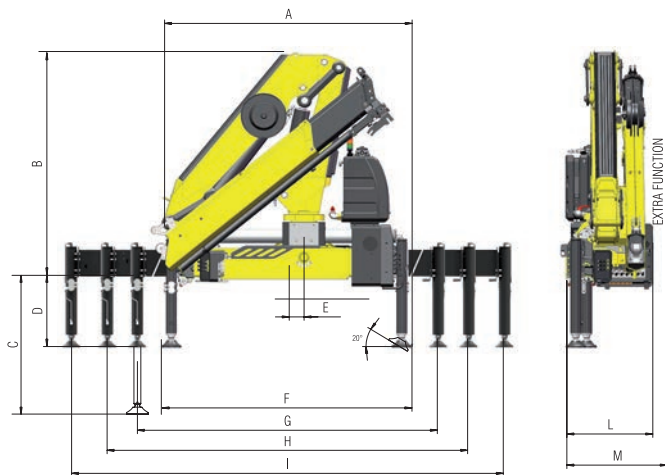
Oil&Gas



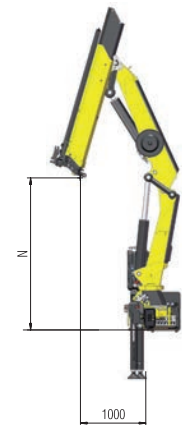
Rental

TECHNICAL INFORMATION **HC91K - HC111K**

Dimensions (mm)



	E2		E3	
	91K	111K	91K	111K
A	2285	2273	2285	2273
B	2085	2108	2085	2108
C	1185	1326,5	1185	1326,5
D	585	634,5	585	634,5
E	160		160	
F	2270	2303	2270	2303
G	3290	3300	3290	3300
H	4790	4805	4790	4805
I	5755	5765	5755	5765
L	840	796,5	840	796,5
M	885	837	885	837
N	2290	2260	2210	2180



Load diagrams

HC91K E2

kg	2390	1700	1210
m	3,47	4,91	6,72

HC91K E3

kg	2265	1555	1115	850
m	3,55	5,00	6,80	8,75

HC111K E2

kg	2200	1627	1230
m	3,60	5,04	6,85

HC111K E3

kg	2127	1548	1146	901
m	3,67	5,11	6,92	8,87

Standard features

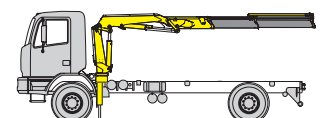
Designed in accordance with EN12999

Design class: HC1-S2

- Cross controls
- Load limit device
- Flanged valves
- Oil tank
- Manually extendable stabilizers
- Internal stabilizers pipes
- Fixed stabilizer cylinders
- Swivel stabilizer foot
- Centralized greasing system
- EES Extra Extension Speed
- SDS Smooth Descent System
- LAS Liftrod Articulating System
- H3XL Crane control system (CE)

Technical specifications - EN12999 - HC1- S2

HC		E2		E3	
		91K	111K	91K	111K
Lifting Moment	tm	8,3	8,4	8,0	8,0
Slewing Angle	°	425		425	
Working pressure	bar	315		315	
Oil tank capacity	l	75		75	
Max Oil flow	l/min	40		40	
Max lifting height	m	10,1	10,3	12,2	12,4
Standard crane weight	kg	1280	1495	1370	1595

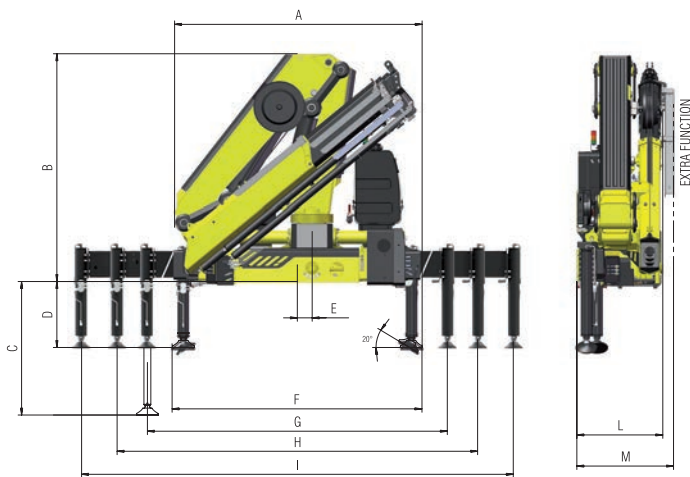


Recommended truck:
HC91K
 M.T.T. ton 8 - G.V.W. ton 8
HC111K
 M.T.T. ton 10 - G.V.W. ton 10

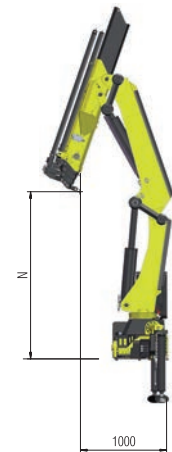


TECHNICAL INFORMATION **HC131K - HC161K**

Dimensions (mm)



	E2		E3	
	131K	161K	131K	161K
A	2455	2390	2455	2390
B	2330			
C	1374	1355	1374	1355
D	682	673	682	673
E	160			
F	2445	2470	2445	2470
G	4200	4225	4200	4225
H	5400	5425	5400	5425
I	6600	6625	6600	6625
L	825			
M	930	940	930	940
N	3000	2965	2915	2880



Load diagrams

Model	kg	3.210	2.310	1.700	
HC131K E2	m	3,90	5,30	7,10	
HC131K E3	kg	3080	2200	1600	1250
	m	3,95	5,38	7,20	9,15
HC161K E2	kg	4010	2940	2115	
	m	3,85	5,18	7,13	
HC161K E3	kg	3860	2805	1990	1530
	m	3,90	5,23	7,18	9,23

Standard features

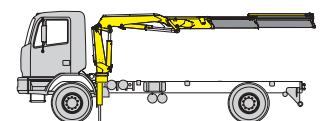
Designed in accordance with EN12999

Design class: HC1-S2

- Cross controls
- Load limit device
- Flanged valves
- Oil tank
- Manually extendable stabilizers
- Internal stabilizers pipes
- Fixed stabilizer cylinders
- Swivel stabilizer foot
- Centralized greasing system
- EES Extra Extension Speed
- SDS Smooth Descent System
- LAS Liftrod Articulating System
- H3XL Crane control system (CE)

Technical specifications - EN12999 - HC1-S2

HC		E2		E3	
		131K	161K	131K	161K
Lifting Moment	tm	12,5	15,4	12,2	15,1
Slewing Angle	°	425		425	
Working pressure	bar	300		300	
Oil tank capacity	l	130		130	
Max Oil flow	l/min	60		60	
Max lifting height	m	10,9		12,9	
Standard crane weight	kg	1735	1880	1835	2005

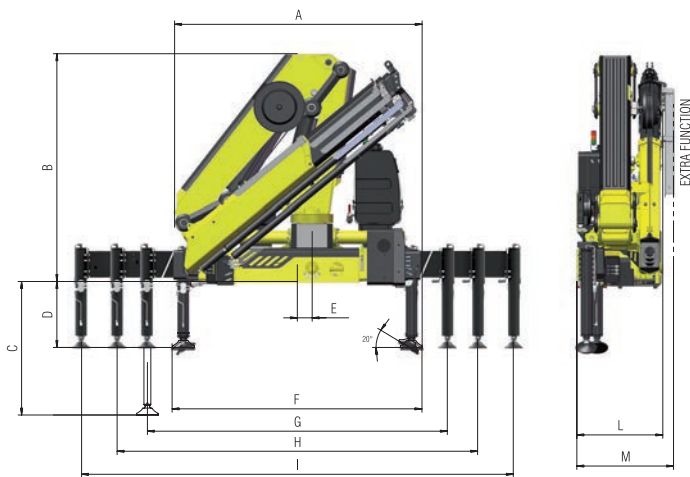


Recommended truck:
HC131K
 M.T.T. ton 12 - G.V.W. ton 12
HC161K
 M.T.T. ton 15 - G.V.W. ton 15

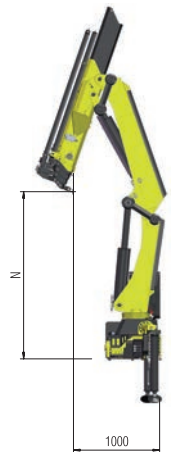


TECHNICAL INFORMATION **HC213K - HC243K**

Dimensions (mm)



	E2		E3		E4	
	213K	243K	213K	243K	213K	243K
A	2475	2520	2475	2520	2475	2390
B	2300		2300		2300	
C	1348		1348		1348	
D	666		666		666	
E	150		150		150	
F	2520		2520		2520	
G	4860		4860		4860	
H	5500		5500		5500	
I	7420		7420		7420	
L	870	930	870	930	870	930
M	990	1055	990	1055	990	1055
N	2770	2578	2682	2578	2594	2489



Load diagrams

Model	kg	3,54	4,87	6,82	8,96	11,08
HC213K E2	5280	3815	2715			
HC213K E3	4870	3380	2455	1880		
HC213K E4	4680	3340	2320	1750	1410	
HC243K E2	6090	4455	3190			
HC243K E3	5865	4255	3010	2305		
HC243K E4	5550	4005	2800	2115	1710	

Standard features

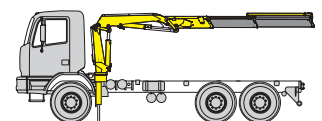
Designed in accordance with EN12999

Design class: HC1-S2

- Cross controls
- Load limit device
- Flanged valves
- Oil tank
- Manually extendable stabilizers
- Internal stabilizers pipes
- Fixed stabilizer cylinders
- Swivel stabilizer foot
- Centralized greasing system
- EES Extra Extension Speed
- SDS Smooth Descent System
- LAS Liftrod Articulating System
- H3XL Crane control system (CE)

Technical specifications - EN12999 - HC1- S2

HC		E2		E3		E4	
		213K	243K	213K	243K	213K	243K
Lifting Moment	tm	18,7	22,7	17,7	21,9	17,3	21,1
Slewing Angle	°	415		415		415	
Working pressure	bar	300		300		300	
Oil tank capacity	l	130		130		130	
Max Oil flow	l/min	80		80		80	
Max lifting height	m	10,5	10,7	12,7	12,8	14,8	14,9
Standard crane weight	kg	2350	2530	2485	2670	2605	2810



Recommended truck:
HC213K
 M.T.T. ton 17 - G.V.W. ton 17
HC243K
 M.T.T. ton 19 - G.V.W. ton 19

130 countries
3,000 employees
25,000 customers
37 subsidiaries
12 production facilities



Hyva is a leading provider of innovative and highly efficient transport solutions for commercial vehicles used in transport, construction, mining, materials handling and environmental service industries.

Founded in 1979 in the Netherlands, the company has a global presence with 37 fully owned subsidiaries, extraordinary service coverage and 12 manufacturing facilities in Brazil, China, Europe and India.

For more information on Hyva, please visit www.hyva.com

or follow us on:



Hyva Holding B.V.
Antonie van Leeuwenhoekweg 37
2408 AK Alphen aan den Rijn
The Netherlands
Telephone: +31 (0)172 - 42 35 55
Telefax: +31 (0)172 - 42 08 80
info@hyva.com
www.hyva.com



**Quality and
environmental certified**

DEALER STAMP