

**EDGE** LINE

RAISE YOUR GAME



ARTICULATED CRANES WITH ULTIMATE PRECISION AND LIFTING CAPACITY

**HC 405e** X





# RAISE YOUR GAME HYVA PERFORMANCE

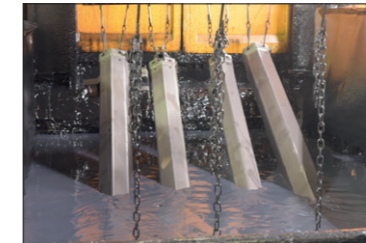


## TOP SOLUTIONS

### 1 TPP

- **Top protection painting** - Top quality cataphoresis treatment and paint process on all crane components ensures higher value retention and durability.
- Bolts and nuts protected by Geomet® treatment: 890% more resistance against corrosion.

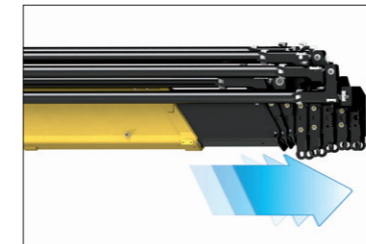
**Top quality protection for harsh environment**



### 2 EES

- **Extra Extension Speed** - The market is always demanding more speed along with the highest possible safety. EES is the answer. Through the use of a specially designed counterbalance valve, this system increases the extension speed without affecting the crane's safety.

**Save time, precise work, increase efficiency**



### 3 LAS

- **Liftrud Articulating System** - Joins forged double linkages on the column and second boom. Its design raises the mechanical advantage of the articulation to provide consistent force through all working angles.

**Precision and versatility for all working positions**



### 4 DLD

- **Dynamic Load Diagram** - After the stabilization, operator can select the load to be lifted. Display shows the permitted crane outreach based on the stability and the load selected.

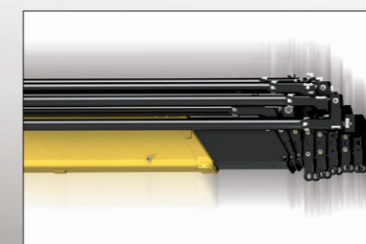
**Crane lifting capacity always under control in all stabilizer positions**



### 5 SDS

- **Smooth Descent System** - Uses a special counterbalance valve to reduce boom oscillation, the result for the user is incredible precision in unloading operations.

**Control and precision of the movement**



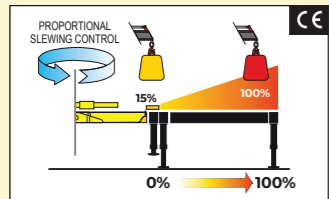




## CRANE CONTROL SYSTEM



### P-CLASS



- Proportional stabilizers control
- Proportional slewing control
- Truck side independent

## HUMAN MACHINE INTERFACE



### SMART TOP MONITOR 7"



Up to 16 languages available into the software. Top choice available for the range. Data statistics and crane management, all included into a 7" TFT monitor giving to the operator a higher level of awareness of the crane.

## CRANE CONTROLS



### LCD REMOTE CONTROL



Each transmitter is equipped with 8 ergonomic proportional levers (6 for Scanreco mini) to control up to 8 functions of the crane. Using two hands, the operator can move 2-3-4 functions at once. This ensures more speed in loading or unloading operations with high precision.



### GRAPHIC REMOTE CONTROL



Top visualization on 3" graphic display on the remote transmitter. Improved crane data visualization and crane control. Top level class of offer in the range.

## Endless performance: extreme flexibility



Endless slewing allows the crane to be operated without restrictions. The complete access to the working area, eliminates the need to reposition the truck, optimizing precision, productivity and safety.

## SMART AND USER-FRIENDLY CONTROLS

Control station distinguished by operator comfort and user-friendly interface derived from dedicated ergonomic and user preference studies

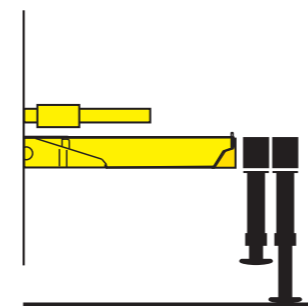


**SMART TOP MONITOR 7"**  
Simple and quick access to all the functions and information

**Vertical stabilizers levers**  
Safe and fast. Excellent supervision of stabilizing operation

## TECHNICAL SOLUTIONS TO RAISE RELIABILITY AND SAFETY

**New Stability Logic for maximum level of flexibility**



- Be free to maximize the use of your crane for all stabilizers' positions.

**Working flexibility: performance in any situation**



- Negative angle between first/ second boom produces the most versatile crane structure available. The result is working flexibility - easier access to confined and low ceiling spaces.

**Electronics mind: guaranteed in all conditions**



- All electrical components have IP69K enclosures which offer complete protection against water jet and dust penetration providing higher durability and less down time.

## OUR INNOVATIONS ARE CHANGING THE GAME

Solutions that are the result of smart engineering



### DLD DYNAMIC LOAD DIAGRAM

This system, a first on truck-mounted articulated cranes, optimises stabilisation and makes crane operation safer and more efficient, allows the driver to verify in advance the crane lifting capacity based on the truck stability. A display shows the outreach available for the load selected and the actual boom slewing position.



## A TEAM OF SKILLED AND CARING SPECIALISTS

Easy installation and smart calibration cranes, combined with a high level of service, make Hyva the best partner for your business - all over the world



### ONE CRANE, MANY APPLICATIONS

Thanks to the extensive range of accessories and attachments



Building



Construction



Energy



Environment



Gardening



Logistics



Maintenance



Mining



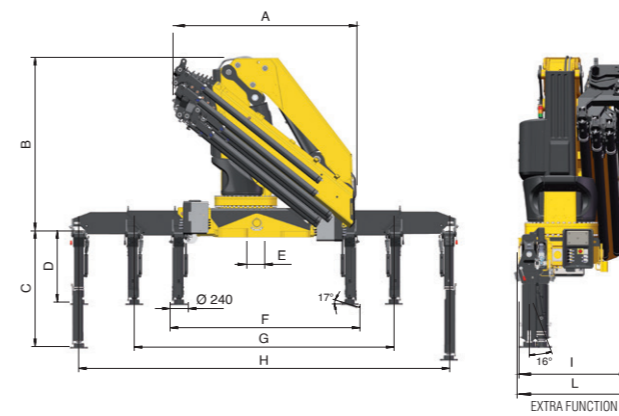
Oil&Gas



Rental

## TECHNICAL INFORMATION HC405e X

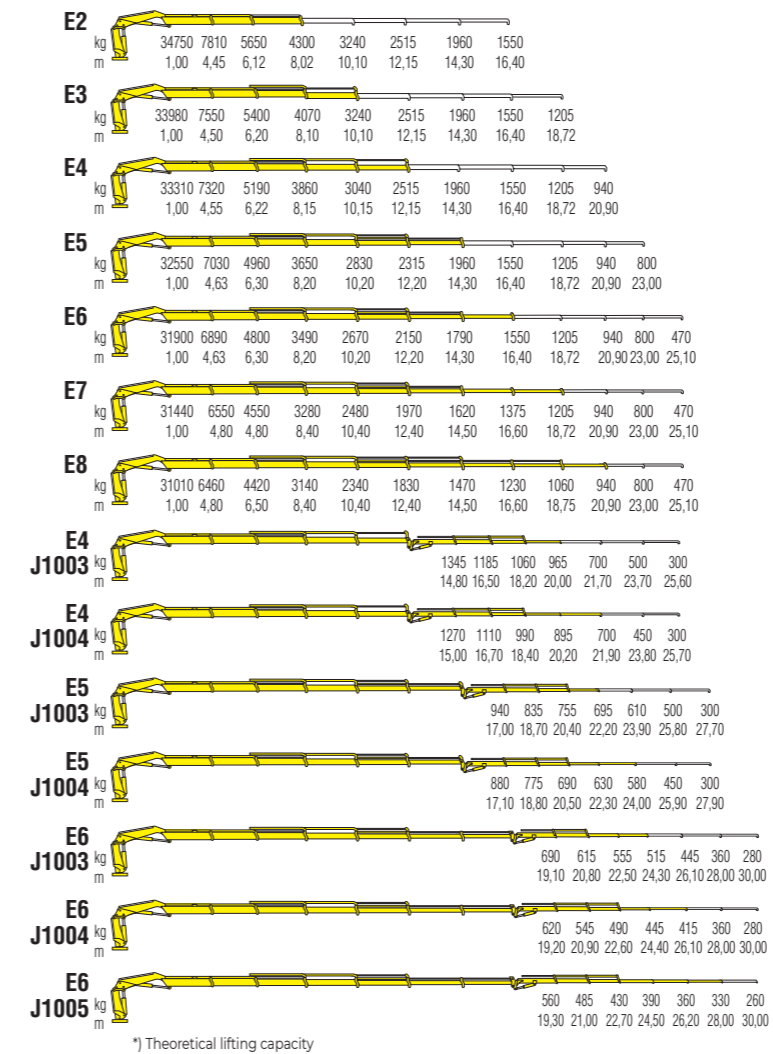
### Dimensions (mm)



	E2	E3	E4	E5	E6	E7	E8
A	2160	2275	2375	2470	2510	2510	2510
B	2465	2465	2465	2465	2465	2465	2465
C	1481	1481	1481	1481	1481	1481	1481
D	895	895	895	895	895	895	895
E	249	249	249	249	249	249	249
F	2500	2500	2500	2500	2500	2500	2500
G	6000	6000	6000	6000	6000	6000	6000
H	7800	7800	7800	7800	7800	7800	7800
I	1210	1240	1240	1240	1240	1345	1345
L	-	-	-	-	-	1390	390

	E4J1003	E4J1004	E5J1003	E5J1004	E6J1003	E6J1004	E6J1005
A	2500	2500	2500	2500	2510	2510	2510
B	2760	2760	2760	2760	2760	2760	2760
C	1481	1481	1481	1481	1481	1481	1481
D	895	895	895	895	895	895	895
E	249	249	249	249	100	100	100
F	2500	2500	2500	2500	2500	2500	2500
G	6000	6000	6000	6000	6000	6000	6000
H	7800	7800	7800	7800	7800	7800	7800
I	-	-	-	-	-	-	-
L	1330	1330	1330	1330	1330	1330	1330

### Load diagrams



### Standard features

Designed in accordance with:

EN12999:2020 + EN13849

Design class: HC1-HD4

- Sauer Danfoss PVG32 (CE)
- Hydrocontrol HCD4 (NO CE)
- Load limit device
- Flanged valves
- Hydraulically extendable stabilizers
- Internal stabilizer pipes
- Fixed stabilizer cylinders
- Swivel stabilizer foot
- Centralized greasing system
- EES Extra Extension Speed
- SDS Smooth Descent System
- LAS Liftrod Articulating System
- P Class - Crane Control System (CE)



Recommended truck  
M.T.T. ton 26

### Technical specifications

	E2	E3	E4	E5	E6	E7	E8	E4J1003	E4J1004	E5J1003	E5J1004	E6J1003	E6J1004	E6J1005	
Lifting Moment	tm	37,7	36,4	35,6	34,9	34,2	33,7	33,1	21,6	20,9	17,9	16,8	15,1	13,8	12,9
Slewing Angle	°	Endless	Endless	Endless	Endless	Endless	Endless	Endless	Endless	Endless	Endless	Endless	Endless	Endless	Endless
Working pressure	bar	325	325	325	325	325	325	325	325	325	325	325	325	325	325
Oil tank capacity	l	230	230	230	230	230	230	230	2320	230	230	230	230	230	
Max Oil flow	l/min	100	100	100	100	100	100	100	100	100	100	100	100	100	
Max lifting height	m	12,0	14,0	16,0	18,0	20,0	22,6	24,8	24,3	26,1	26,4	28,2	28,5	30,4	32,3
Standard crane weight	kg	4100	4330	4550	4760	4950	5130	5300	5220	5290	5430	5500	5620	5690	5750



110 countries  
+3,500 employees  
20,000 customers  
+30 subsidiaries  
14 production facilities



Hyva is a leading provider of innovative and highly efficient transport solutions for commercial vehicles used in transport, construction, mining, materials handling and environmental service industries.

Founded in 1979 in the Netherlands, the company has a global presence with more than 30 wholly owned subsidiaries, extraordinary service coverage and 14 manufacturing facilities in Brazil, China, Europe and India.

For more information on Hyva, please visit [www.hyva.com](http://www.hyva.com)

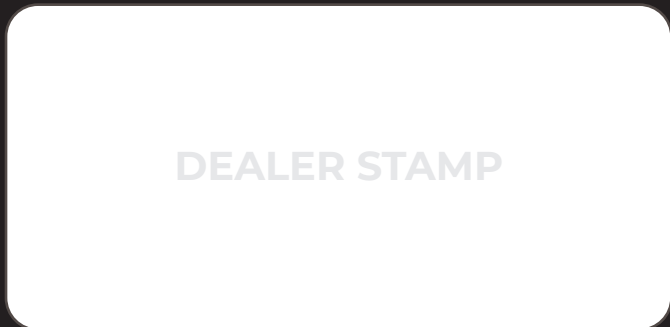
or follow us on:



**Hyva Holding B.V.**  
Antonie van Leeuwenhoekweg 37  
2408 AK Alphen aan den Rijn  
The Netherlands  
Telephone: +31 (0)172 - 42 35 55  
info@hyva.com  
www.hyva.com



Quality and environmental certified



Data, descriptions, and illustrations pertain only and uniquely to models sold at the time of printing of this brochure. After the date of printing, this information is purely indicative and not binding upon HYVA. Future modifications are solely at the discretion of HYVA and are always in compliance with applicable and pertinent safety standards. To obtain updated data, descriptions, and illustrations, contact the manufacturer or your reseller. Cranes manufactured and/or marketed by HYVA. HYVA is not responsible for the special applications depicted. Crane applications and accessories described herein are only examples. Some applications and equipment shown may not be approved for use in CE countries or other areas. It is the installer's responsibility to ensure that the crane is applied correctly, and that its application, installation, and accessories maintain safety and comply with all local laws.