

HYVA[®] CRANE HB 200



MODELS	LIFTING MOMENT	MAX VERTICAL REACH	SLEWING ANGLE	SLEWING TIME	MAX WORKING HEEL	WORKING PRESSURE	CRANE WEIGHT WITHOUT STABILIZERS	WEIGHT OF STABILIZERS	OIL TANK CAPACITY	OIL FLOW	DIMENSIONS
	tm	m	°	s/180°	°	bar	kg	kg	l	l/min	mm B x h x S
HB200 E1	19,6	HYD. 9,9 MAN. -	387	17	4	300	1860	420	130	40	2480x2295x970
HB200 E2	-	11,8 -	387	17	4	300	2010	420	130	40	2480x2295x970
HB200 E3	-	13,8 19,8	387	17	4	300	2150	420	130	40	2480x2295x1000
HB200 E4	-	15,7 22,0	387	17	4	300	2280	420	130	40	2480x2295x1000
HB200 E5	-	17,8 22,0	387	17	4	300	2380	420	130	40	2480x2295x1000
HB200 E6	-	19,8 22,0	387	17	4	300	2480	420	130	40	2495x2295x1000
HB200 E5 J2	-	23,3 24,8	387	17	4	300	2715	420	130	40	2480x2300x1120

ACCESSORIES

Cross controls
Supplementary elements activations (1)
Winch
Manual extensions
Automatic pivoting stabilizer legs
Manual pivoting stabilizer legs
Oil cooler
Top seat
Operator Full Protection (CE)

ZUBEHOERE

Kreuzen Schalstangen
Zusätzliche Steuerelemente (1)
Seilwinde
Mechanische Ausleger
Automatisch gelenkigte Abstützbeine
Manuell gelenkigte Abstützbeine
Ölkühler
Hoch Führersitz
Operator Full Protection (CE)

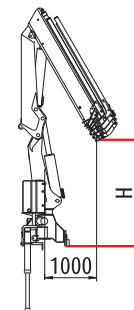
(1) No E5 J2

ACCESSOIRES

Commandes croisées
Activation éléments supplémentaires (1)
Treuil
Rallonges mécaniques
Béquilles pivotantes automatiques
Béquilles pivotantes manuelles
Refroidisseur huile
Poste de manoeuvre en haut
Operator Full Protection (CE)

ACCESORIOS

Comandos cruzados
Ativação de elementos suplementares (1)
Guincho de cabo
Extensões mecânicas
Estabilizadores articulados automáticos
Estabilizadores articulados manuais
Radiador para refrigeração de óleo
Posto de manobra no cima
Operator Full Protection (CE)



HB 200 E1 = 2300
HB 200 E2 = 2250
HB 200 E3 = 2200
HB 200 E4 = 2200
HB 200 E5 = 2130
HB 200 E6 = 2070

HYVA[®] CRANE

Hyva Holding B.V.
Antonie van Leeuwenhoekweg 37
2408 AK Alphen aan den Rijn
The Netherlands
Telephone: +31 (0)172 - 42 35 55
Telefax: +31 (0)172 - 42 08 80
info@hyva.com
www.hyva.com
www.hyvacrane.com



DEALER

Data, descriptions and illustrations pertain only and uniquely to models sold at the time of printing of this brochure. After the date of printing, this information is purely indicative and not binding upon HYVA. Future modifications are solely at the discretion of HYVA and are always in compliance with applicable and pertinent safety standards. To obtain updated data, descriptions and illustrations, contact the manufacturer or your reseller. Cranes manufactured and/or marketed by HYVA - Les données, les descriptions et les illustrations se rapportent seulement et exclusivement aux modèles commercialisés à la date d'impression de ce dépliant. Après la date d'impression, ces informations sont simplement indicatives et n'engagent pas HYVA. D'éventuelles modifications sont à la discrétion d'HYVA et toujours dans l'observance des normes de sécurité pertinentes et applicables. Pour obtenir les données, les descriptions et les illustrations actualisées, s'adresser au fabricant ou au revendeur. Grues produites et/ou vendues par HYVA - Daten, Beschreibungen und Abbildungen beziehen sich ausschließlich auf die zum Zeitpunkt des Drucks dieser Broschüre vertriebenen Modelle. Nach diesem Datum verstehen sich diese Informationen als rein richtungweisend und sind in keinem Fall für HYVA verbindlich. HYVA behält sich vor, nach eigenem Ermessen und in jedem Fall unter Berücksichtigung der zugehörigen und geltenden Sicherheitsvorschriften Änderungen vorzunehmen. Bitte wenden Sie sich für aktuelle Daten, Beschreibungen und Abbildungen an den Hersteller oder Händler. Die Krane werden von HYVA hergestellt und/oder vermarktet. - Os dados, descrições e ilustrações referem-se única e exclusivamente aos modelos comercializados à data da impressão deste folheto. Após a data da impressão, estas informações são meramente indicativas pelas quais a HYVA não se responsabiliza. Eventuais alterações ficam ao critério da HYVA e estão sempre em conformidade com as normas de segurança pertinentes e aplicáveis. Para obter dados, descrições e ilustrações actualizadas, contacte o fabricante ou revendedor. Guindaste produzidos e/ou comercializados pela HYVA.

TRUCK-MOUNTED CRANES HB 200



HYVA[®] CRANE

www.hyva.com

HYVA[®] CRANE HB 200



- Load limiting device
- Hexagonal section extensions
- Independent extension cylinders
- Outriggers with hydraulic extension
- Flanged valves
- Assembly kit
- Designed in accordance with: EN12999-DIN15018
- Fatigue test classification: B3
- Oil tank
- Fittings SAE-JIC
- Sliding pads on telescopic extensions
- Fixed stabilizer cylinders
- Mechanical rotation limitation (CE)
- Dual controls (Not with radio remote control)



- Limiteur de moment
- Extensions à section hexagonale
- Vérins hydrauliques à sortie indépendante
- Béquilles avec ouverture hydraulique
- Vannes bridées
- Kit de brides de fixation
- Projet en accords aux normes : EN12999-DIN15018
- Essai de fatigue avec classification: B3
- Réservoir huile
- Tujauterie SAE-JIC
- Patins de coulissement sûr les éléments télescopiques
- Vérins stabilisateurs fixes
- Limitation mécanique de la rotation (CE)
- Commandes bilatérales (Non avec radiocommande)



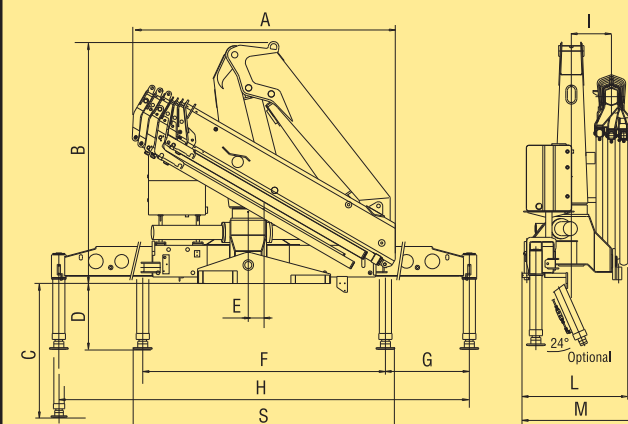
- Momentbegrenzer
- Sechskantige Ausschübe
- Unabhängige Schubzylinder
- Hydraulisch ausfahrbare Abstützungen
- Ventile mit Flansch
- Befestigungsteile
- Berechnungsnorm nach EN12999-DIN15018
- Ermüdungstest in Klasse: B3
- Ölbehälter
- Anschlüsse SAE-JIC
- Gleitschuhe auf den Ausschüben
- Feste Abstützungen
- Mechanischer Schwenkbegrenzer (CE)
- Beidseitige Kransteuerungen (Nicht mit Funkfernsteuerung)



- Válvula limitadora de momento de carga
- Extensões sextavadas
- Cilindros de extensão independentes
- Estabilizadores estendidos hidráulicamente
- Válvulas flangeadas
- Kit de montagem
- Norma do projeto: EN12999-DIN 15018
- Tipo de ensaio de fadiga: B3
- Reservatório de óleo
- Conexões SAE-JIC
- Calços deslizantes em extensões telescópicas
- Estabilizadores fixos
- Limitador mecânico de giro (CE)
- Comandos bilaterais (não com comando por rádio)

Model	kg	1.00	2.10	4.26	6.13	8.00	9.95	11.90	14.00	16.10
HB200 E1	19620*	9210**	4605	3200						
HB200 E2	19170*	9060**	4500	3095	2325					
HB200 E3	18660*	8750**	4380	2945	2205	1740	1325	1005	770	
HB200 E4	18210*	8575**	4275	2845	2085	1605	1325	1005	770	550
HB200 E5	17790*	8370**	4090	2680	1940	1490	1195	1005	770	550
HB200 E6	17390*	8190**	3935	2570	1840	1395	1105	915	775	550
HB200 E5J2										
									550	500
									16,70	18,10
									19,60	21,10

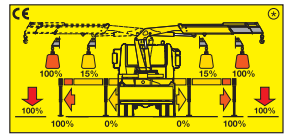
*) Theoretical lifting capacity
**) Fixed hook capacity



	HB200	E1	E2	E3	E4	E5	E6	E5 - J2
A	2165	2210	2275	2370	2440	2495	2480	
B	2295	2295	2295	2295	2295	2295	2300	
C	1244	1244	1244	1244	1244	1244	1244	
D	624	624	624	624	624	624	624	
E	150	150	150	150	150	150	150	
F	2300	2300	2300	2300	2300	2300	2300	
G	1600	1600	1600	1600	1600	1600	1600	
H	5500	5500	5500	5500	5500	5500	5500	
I	380	380	380	380	380	380	380	
L	970	970	1000	1000	1000	1000	1000	
M	1100	1100	1100	1100	1100	1100	1120	
S	2480	2480	2480	2480	2480	2480	2480	

Stability control systems (CE)

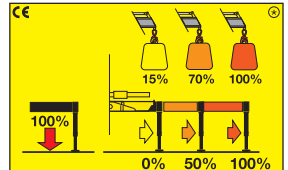
HXL System



The TCU checks the positions of the stabilizers beams, monitoring for two possible positions: beam fully open, beam not fully open. Depending on the position of the beams and the stabilizers, the crane's lifting capacity changes according to the setting made by the installer. This allows the operator to use the crane even with a beam partially or fully retracted without having stability problems.

Optional HRCS
The Rotation Control Sensor constantly checks the slewing position of the crane and limits the lifting capacity depending on the beams' and the stabilizers' positions.

H2XL System



The TCU checks the positions of the stabilizers and divides the working area into 4 slewing sectors: over the cabin, right side, left side and the rear of the vehicle. Depending on the position of the beams and the stabilizers, the crane's lifting capacity changes according to the settings made by the installer. This allows the operator to use the crane even with a beam partially or fully retracted without having stability problems.

The HPES (Proportional Encoder Sensor) recognizes 3 positions of the stabilizers' beams: fully open, half extended, fully closed.

The CAN-BUS radio-control allows the operator to know the positions of the stabilizers and the loading conditions of the crane.

With manual opening stabilizers, the H2XL System only recognizes completely open or completely closed beam positions.

Ⓢ The percentages present in the pictures are merely examples and they have no bearing on the crane's real lifting capacities. The crane's real lifting capacities will depend on truck's stability.



HB 200 X



Only CE Version

Pressure compensated control valve: SAUER DANFOSS PVG32

- Multifunction remote control
- Protected against radio interference
- Move around the truck freely

EES Extra Extension Speed

A special regenerative valve re-uses oil during extension, ensuring an incredibly high speed without compromising the safe operation of the crane.

SDS Smooth Descent System

This system compensates for boom oscillation, ensuring smooth movement of the load.