

HYVA[®] CRANE HB 150



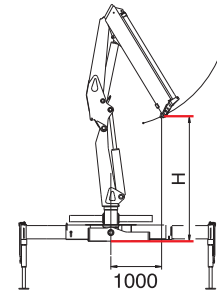
MODELS	LIFTING MOMENT T.m	MAX VERTICAL REACH m		SLEWING ANGLE °	SLEWING TIME s/180°	MAX WORKING HEEL °	WORKING PRESSURE bar	CRANE WEIGHT WITHOUT STABILIZERS kg	WEIGHT OF STABILIZERS kg	OIL TANK CAPACITY l.	OIL FLOW l/min	DIMENSIONS mm. B x h x S
		HYD.	MAN.									
HB150 E1	13,9	9,6	-	380	17	4	290	1510	200	100	25	2460x2340x885
HB150 E2	-	11,5	17,6	380	17	4	290	1640	200	100	25	2460x2340x885
HB150 E3	-	13,5	19,6	380	17	4	290	1760	200	100	25	2470x2340x885
HB150 E4	-	15,5	19,6	380	17	4	290	1860	200	100	25	2485x2340x885
HB150 E5	-	17,6	19,6	380	17	4	290	1950	200	100	25	2500x2340x940
HB150 E3J2	-	18,8	20,3	380	17	4	290	2070	200	100	25	2490x2340x1030

ACCESSORIES

Cross controls (No with radio remote control)
Supplementary elements activations (1)
Winch
Manual extensions
Pivoting stabilizer legs
Oil cooler
Top seat
Extra extensible hydraulic opening stabilizers
Super-extra wide hydraulic opening stabilizers
Outriggers with hydraulic extension
Operator Full Protection (CE)

ACCESSOIRES

Commandes croisées (Non avec radiocommande)
Activation éléments supplémentaires (1)
Treuil
Rallonges mécaniques
Béquilles pivotantes
Refroidisseur huile
Poste de manoeuvre en haut
Stab. Extra-extensibles avec ouverture hydraulique
Béquilles super-extra larges avec ouverture hydraulique
Béquilles avec ouverture hydraulique
Operator Full Protection (CE)



HB 150 E1 = 2470
HB 150 E2 = 2395
HB 150 E3 = 2350
HB 150 E4 = 2320
HB 150 E5 = 2220

ZUBEHOERE

Kreuzen Schalstangen (Nicht mit Funkfernsteuerung)
Zusätzliche Steuerelemente (1)
Seilwinde
Mechanische Ausleger
Gelenkige Abstützbeine
Ölkühler
Hoch Führersitz
Extra-breite Abstützungen mit hydraulische Öffnung
Super Extra-breite Abstützungen mit hydraulische Öffnung
Hydraulisch ausfahrbare Abstützungen
Operator Full Protection (CE)

ACCESORIOS

Comandos cruzados (não com comando por rádio)
Ativação de elementos suplementares (1)
Guincho de cabo
Extensões mecânicas
Estabilizadores articulados
Radiador para refrigeração de óleo
Posto de manobra no cimo
Estabilizadores extra extensíveis com abertura hidráulica
Estabilizadores super-extra extensíveis com abertura hidráulica
Estabilizadores estendidos hidráulicamente
Operator Full Protection (CE)

(1) No E5 - E3 J2

HYVA[®] CRANE

Hyva Holding B.V.
Antonie van Leeuwenhoekweg 37
2408 AK Alphen aan den Rijn
The Netherlands
Telephone: +31 (0)172 - 42 35 55
Telefax: +31 (0)172 - 42 08 80
info@hyva.com
www.hyva.com
www.hyvacrane.com



DEALER

Data, descriptions and illustrations pertain only and uniquely to models sold at the time of printing of this brochure. After the date of printing, this information is purely indicative and not binding upon HYVA. Future modifications are solely at the discretion of HYVA and are always in compliance with applicable and pertinent safety standards. To obtain updated data, descriptions and illustrations, contact the manufacturer or your reseller. Cranes manufactured and/or marketed by HYVA - Les données, les descriptions et les illustrations se rapportent seulement et exclusivement aux modèles commercialisés à la date d'impression de ce dépliant. Après la date d'impression, ces informations sont simplement indicatives et n'engagent pas HYVA. D'éventuelles modifications sont à la discrétion d'HYVA et toujours dans l'observance des normes de sécurité pertinentes et applicables. Pour obtenir les données, les descriptions et les illustrations actualisées, s'adresser au fabricant ou au revendeur. Grues produites et/ou vendues par HYVA - Daten, Beschreibungen und Abbildungen beziehen sich ausschließlich auf die zum Zeitpunkt des Drucks dieser Broschüre vertriebenen Modelle. Nach diesem Datum verstehen sich diese Informationen als rein richtungweisend und sind in keinem Fall für HYVA verbindlich. HYVA behält sich vor, nach eigenem Ermessen und in jedem Fall unter Berücksichtigung der zugehörigen und geltenden Sicherheitsvorschriften Änderungen vorzunehmen. Bitte wenden Sie sich für aktuelle Daten, Beschreibungen und Abbildungen an den Hersteller oder Händler. Die Krane werden von HYVA hergestellt und/oder vermarktet. - Os dados, descrições e ilustrações referem-se única e exclusivamente aos modelos comercializados à data da impressão deste folheto. Após a data da impressão, estas informações são meramente indicativas pelas quais a HYVA não se responsabiliza. Eventuais alterações ficam ao critério da HYVA e estão sempre em conformidade com as normas de segurança pertinentes e aplicáveis. Para obter dados, descrições e ilustrações atualizados, contacte o fabricante ou revendedor. Guindaste produzidos e/ou comercializados pela HYVA.

TRUCK-MOUNTED CRANES HB 150



HYVA[®] CRANE

www.hyva.com

HYVA[®] CRANE HB 150



- Load limiting device
- Hexagonal section extensions
- Independent extension cylinders
- Flanged valves
- Assembly kit
- Designed in accordance with: EN12999-DIN15018
- Fatigue test classification: B3
- Oil tank
- Fixed stabilizer cylinders
- Mechanical rotation limitation (CE)
- Dual controls (No with radio remote control)
- Manually opening stabilizers



- Limiteur de moment
- Extensions à section hexagonale
- Vérins hydrauliques à sortie indépendante
- Vannes bridées
- Kit de brides de fixation
- Projet en accords aux normes: EN12999-DIN15018
- Essai de fatigue avec classification: B3
- Réservoir huile
- Vérins stabilisateurs fixes
- Limitation mécanique de la rotation (CE)
- Commandes bilatérales (Non avec radiocommande)
- Stabilisateurs élargissables manuels



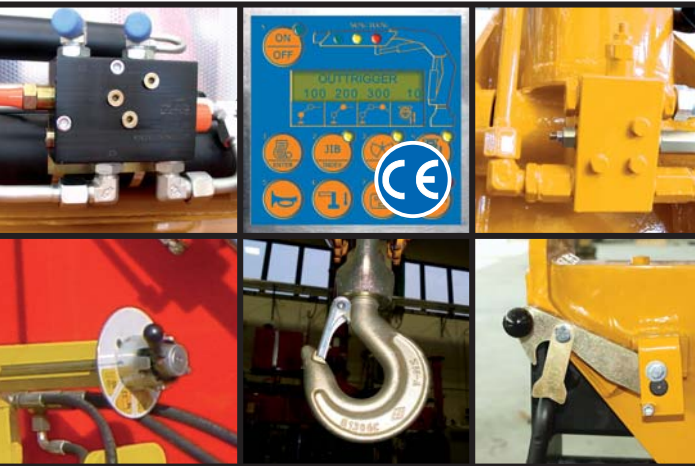
- Momentbegrenzer
- Sechskantige Ausschübe
- Unabhängige Schubzylinder
- Ventile mit Flansch
- Befestigungsteile
- Berechnungsnorm nach EN12999-DIN15018
- Ermüdungstest in Klasse: B3
- Ölbehälter
- Feste Abstützungen
- Mechanischer Schwenkbegrenzer (CE)
- Beidseitige Kransteuerungen (Nicht mit Funkfernsteuerung)
- Manuell ausfahrbare Abstützungen



- Válvula limitadora de momento de carga
- Extensões sextavadas
- Cilindros de extensão independentes
- Válvulas flangeadas
- Kit de montagem
- Norma do projeto: EN12999-DIN 15018
- Tipo de ensaio de fadiga: B3
- Reservatório de óleo
- Estabilizadores fixos
- Limitador mecânico de giro (CE)
- Comandos bilaterais (não com comando por rádio)
- Estabilizadores estendidos manualmente

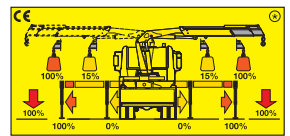
Model	kg	m	kg	m	kg	m	kg	m	kg	m	kg	m		
HB150 E1	13890	5660	3275	2275	1,00	2,45	4,24	6,04						
HB150 E2	13240	5405	3065	2130	1,00	2,45	4,32	6,13	8,00	10,06	12,13	14,32		
HB150 E3	12880	5200	2920	2010	1,00	2,45	4,41	6,21	8,08	10,06	12,13	14,32		
HB150 E4	12690	5100	2820	1895	1,00	2,45	4,50	6,30	8,17	10,15	12,13	14,32		
HB150 E5	12390	5000	2705	1805	1,00	2,45	4,58	6,38	8,25	10,23	12,21	14,21		
HB150 E3J2											550	485	430	360
											12,75	14,12	15,60	17,20

*) Theoretical lifting capacity
**) Fixed hook capacity

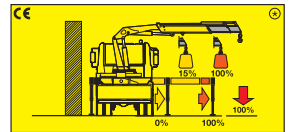


Stability control systems (CE)

HXL System



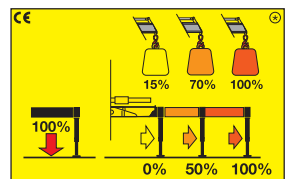
The TCU checks the positions of the stabilizers beams, monitoring for two possible positions: beam fully open, beam not fully open. Depending on the position of the beams and the stabilizers, the crane's lifting capacity changes according to the setting made by the installer. This allows the operator to use the crane even with a beam partially or fully retracted without having stability problems.



Optional HRCS

The Rotation Control Sensor constantly checks the slewing position of the crane and limits the lifting capacity depending on the beams' and the stabilizers' positions.

H2XL System



The TCU checks the positions of the stabilizers and divides the working area into 4 slewing sectors: over the cabin, right side, left side and the rear of the vehicle. Depending on the position of the beams and the stabilizers, the crane's lifting capacity changes according to the settings made by the installer. This allows the operator to use the crane even with a beam partially or fully retracted without having stability problems.



The HPES (Proportional Encoder Sensor) recognizes 3 positions of the stabilizers' beams: fully open, half extended, fully closed.

The CAN-BUS radio-control allows the operator to know the positions of the stabilizers and the loading conditions of the crane.

With manual opening stabilizers, the H2XL System only recognizes completely open or completely closed beam positions.

© The percentages present in the pictures are merely examples and they have no bearing on the crane's real lifting capacities. The crane's real lifting capacities will depend on truck's stability.



HB 150 X



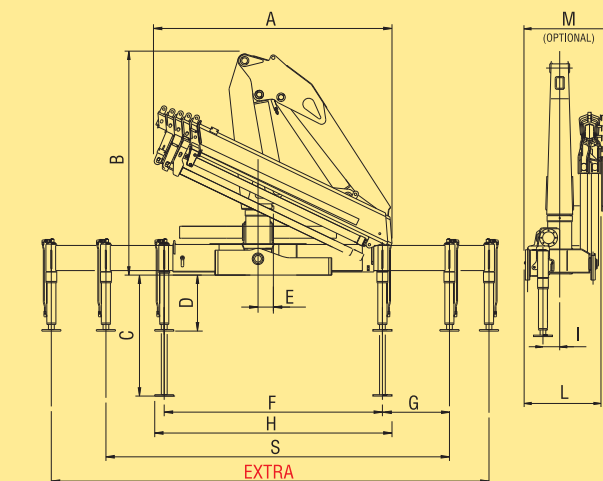
CAN-BUS



Only CE Version

Pressure compensated control valve: HAWE PSL2

- Multifunction remote control
- Protected against radio interference
- Move around the truck freely



HB150	E1	E2	E3	E4	E5	E3 - J2
A	2155	2290	2400	2485	2500	2490
B	2340	2340	2340	2340	2340	2340
C	1265	1265	1265	1265	1265	1265
D	585	585	585	585	585	585
E	160	160	160	160	160	160
F	2280	2280	2280	2280	2280	2280
G	860	860	860	860	860	860
H	2480	2480	2480	2480	2480	2480
I	177	177	177	177	177	177
L	855	855	855	855	910	1030
M	1030	1030	1030	1030	1030	-
S	4000	4000	4000	4000	4000	4000
EXTRA	5140	5140	5140	5140	5140	5140

EES Extra Extension Speed

A special regenerative valve re-uses oil during extension, ensuring an incredibly high speed without compromising the safe operation of the crane.