

HYVA[®] CRANE HB 100



MODELS	LIFTING MOMENT	MAX VERTICAL REACH	SLEWING ANGLE	SLEWING TIME	MAX WORKING HEEL	WORKING PRESSURE	CRANE WEIGHT WITHOUT STABILIZERS	WEIGHT OF STABILIZERS	OIL TANK CAPACITY	OIL FLOW	DIMENSIONS
	tm	m	°	s/180°	°	bar	kg	kg	l	l/min	mm B x h x S
HB100 E1	9,57	9,45	395	17	4	290	1080		60	25	2480x2170x640
HB100 E2	-	11,30	395	17	4	290	1185	150 Std.Man.	60	25	2480x2170x640
HB100 E3	-	13,20	395	17	4	290	1280	205 Ext.Man.	60	25	2480x2170x640
HB100 E4	-	15,30	395	17	4	290	1370	250 Ext.Hyd.	60	25	2480x2170x640
HB100 E5	-	17,30	395	17	4	290	1440		60	25	2480x2170x750

ACCESSORIES

Supplementary elements activations (1)
Load limiting device (No CE)
Mechanical rotation limitation (No CE)
Winch
Manual extensions (1)
Manually extra extensible stabilizers
Hydraulic extra extensible stabilizers
One-shot lubrication
Oil cooler
Top seat
Operator Full Protection
Extra cross beams
Manually pivoting stabilizer legs
Green oil^{*)}

ZUBEHOERE

Zusätzliche Steuerelemente (1)
Momentbegrenzer (Nicht CE)
Mechanischer Schwenkbegrenzer (Nicht CE)
Seilwinde
Mechanische Ausleger (1)
Manuell abstützungen mit Extraauszug
Hydraulisch abstützungen mit Extraauszug
Sammelschmierung
Ölkühler
Hoch Führersitz
Operator Full Protection
Zusatzabstützungen
Manuell gelenkigte Abstützbeine
Bio-Öl^{*)}

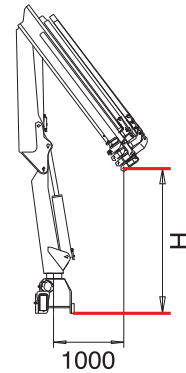
(1) No E5

ACCESSORIES

Activation éléments supplémentaires (1)
Limiteur de moment (Non CE)
Limitation mécanique de la rotation (Non CE)
Treuil
Rallonges mécaniques (1)
Stabilisateurs extra extensibles manuels
Stabilisateurs extra extensibles hydrauliques
Lubrification centrale
Refroidisseur huile
Poste de manoeuvre en haut
Operator Full Protection
Béquilles supplémentaires
Béquilles pivotantes manuelles
Huile écologique^{*)}

ACCESORIOS

Ativação de elementos suplementares (1)
Válvula limitadora de momento de carga (Não CE)
Limitador mecânico de giro (Não CE)
Guincho de cabo
Extensões mecânicas (1)
Estabilizadores extra extensíveis manuais
Estabilizadores hidráulicos extra extensíveis
Lubrificação central
Radiador para refrigeração de óleo
Posto de manobra no cimo
Operator Full Protection
Estabilizadores adicionais
Estabilizadores manualmente articulados
Óleo ecológico^{*)}



HB 100 E1 = 2460
HB 100 E2 = 2460
HB 100 E3 = 2330
HB 100 E4 = 2210
HB 100 E5 = 2100

^{*)} Eco-friendly



Data, descriptions and illustrations pertain only and uniquely to models sold at the time of printing of this brochure. After the date of printing, this information is purely indicative and not binding upon HYVA. Future modifications are solely at the discretion of HYVA and are always in compliance with applicable and pertinent safety standards. To obtain updated data, descriptions and illustrations, contact the manufacturer or your reseller. Cranes manufactured and/or marketed by HYVA - les données, les descriptions et les illustrations se rapportent seulement et exclusivement aux modèles commercialisés à la date d'impression de ce dépliant. Après la date d'impression, ces informations sont simplement indicatives et n'engagent pas HYVA. D'éventuelles modifications sont à la discrétion d'HYVA et toujours dans l'observance des normes de sécurité pertinentes et applicables. Pour obtenir les données, les descriptions et les illustrations actualisées, s'adresser au fabricant ou au revendeur. Grues produites et/ou vendues par HYVA. - Daten, Beschreibungen und Abbildungen beziehen sich ausschließlich auf die zum Zeitpunkt des Drucks dieser Broschüre vertriebenen Modelle. Nach diesem Datum verstehen sich diese Informationen als rein richtungswesend und sind in keinem Fall für HYVA verbindlich. HYVA behält sich vor, nach eigenem Ermessen und in jedem Fall unter Berücksichtigung der zugehörigen und geltenden Sicherheitsvorschriften Änderungen vorzunehmen. Bitte wenden Sie sich für aktuelle Daten, Beschreibungen und Abbildungen an den Hersteller oder Händler. Die Krane werden von HYVA hergestellt und/oder vermarktet. - Os dados, descrições e ilustrações referem-se única e exclusivamente aos modelos comercializados à data da impressão deste folheto. Após a data da impressão, estas informações são meramente indicativas pelas quais a HYVA não se responsabiliza. Eventuais alterações ficam ao critério da HYVA e estão sempre em conformidade com as normas de segurança pertinentes e aplicáveis. Para obter dados, descrições e ilustrações atualizadas, contacte o fabricante ou revendedor. Guindaste produzidos e/ou comercializados pelo HYVA.

DEALER

HYVA[®] CRANE

Hyva Holding B.V.
Antonie van Leeuwenhoekweg 37
2408 AK Alphen aan den Rijn
The Netherlands
Telephone: +31 (0)172 - 42 35 55
Telefax: +31 (0)172 - 42 08 80
info@hyva.com
www.hyva.com
www.hyvacrane.com



TRUCK-MOUNTED CRANES HB 100



HYVA[®] CRANE

www.hyva.com

HYVA[®] CRANE HB 100



- Cross controls (No with radio remote control)
- Load limiting device (CE or with radio remote control)
- Hexagonal section extensions
- Independent extension cylinders
- Flanged valves
- Assembly kit
- Designed in accordance with: EN12999-DIN15018
- Fatigue test classification: B3
- Oil tank
- Manually opening stabilizers
- Fixed stabilizer cylinders
- Light indicator for correct stabilizer stowing (CE)
- Mechanical rotation limitation (CE) (No with H2XL System or HRCS)
- Swivel stabilizer foot
- Plastic cover on the control station (CE)
- Proportional inclination sensor on second boom (CE)
- Proportional pressure transducer on main cylinder (CE or with radio remote control)
- Sensor for correct stowing of the crane (CE)
- 90%-100% light visible from all around the crane (CE or with radio remote control)



- Commandes bilatérales (Non avec radiocommande)
- Limiteur de moment (CE ou avec radio)
- Extensions à section hexagonale
- Vérins hydrauliques à sortie indépendante
- Vannes bridées
- Kit de brides de fixation
- Projet en accords aux normes : EN12999-DIN15018
- Essai de fatigue avec classification: B3
- Réservoir huile
- Stabilisateurs élargissables manuels
- Vérins stabilisateurs fixes
- Kit capteurs de replies de béquilles stabilisatrices (CE)
- Limitation mécanique de la rotation (CE) (Non avec H2XL System ou HRCS)
- Plat d'appui béquilles avec joint à rotule
- Capot de protection du bloc de commande (CE)
- Capteur proportionnel d'inclinaison sur le second bras (CE)
- Capteur de pression proportionnel sur le vérin de levage (CE ou avec radio)
- Capteur de position "grue repliée" (CE)
- Colonne tricolore indiquant le statut de charge (90%-100%) visible de tous les côtés de la grue (CE ou avec radio)



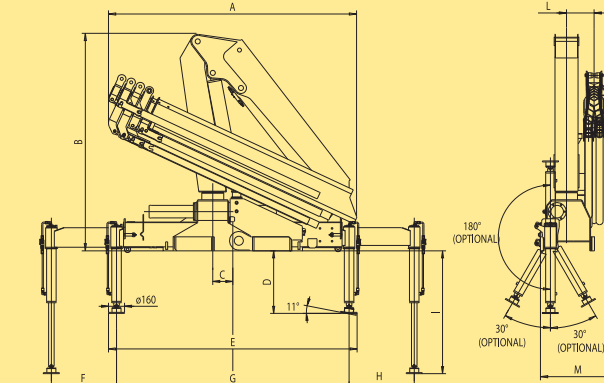
- Beideseitige Kransteuerungen (Nicht mit Funkfernsteuerung)
- Momentbegrenzer (CE oder mit Funkfernsteuerung)
- Sechskantige Ausschübe
- Unabhängige Schubzylinder
- Ventile mit Flansch
- Befestigungsteile
- Berechnungsnorm nach EN12999-DIN15018
- Ermüdungstest in Klasse: B3
- Ölbehälter
- Manuell ausfahrbare Abstützungen
- Feste Abstützungen
- Warnleuchte für Abstützungen (CE)
- Mechanischer Schwenkbegrenzer (CE)
- (Nicht mit H2XL System oder HRCS)
- Gelenkstützsteller
- Kunststoffabdeckung für die Bedienungseinheit (CE)
- Proportionalensensor für die Neigung am 2. Ausschub (CE)
- Proportionaler Druckwandler am Hauptzylinder (CE oder mit Funkfernsteuerung)
- Sensor für die korrekte Zusammenfaltung des Kranes (CE)
- Licht 90%-100 % sichtbar von allen Seiten des Kranes (CE oder mit Funkfernsteuerung)



- Comandos bilaterais (não com comando por rádio)
- Válvula limitadora de momento de carga (CE ou com comando por rádio)
- Extensões sextavadas
- Cilindros de extensão independentes
- Válvulas flangeadas
- Kit de montagem
- Norma do projeto: EN12999-DIN15018
- Tipo de ensaio de fadiga: B3
- Reservatório de óleo
- Estabilizadores manualmente estendidos
- Estabilizadores fixos
- LED indicador de recolhimento correcto de estabilizador (CE)
- Limitador mecânico de giro (CE) (Não com H2XL System ou HRCS)
- Plataforma de patolamento articulada
- Sensor de inclinação no segundo braço (CE)
- Transdutor de pressão no cilindro de elevação (CE ou com comando por rádio)
- Indicador luminosa 90%-100% visível de todos os lados do guindaste (CE ou com comando por rádio)

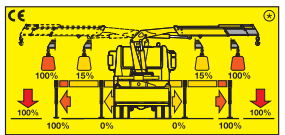
Model	kg	1,00	2,15	4,10	5,84	7,64	9,60	11,70	13,80
HB100 E1	9570*	4400**	2335	1615					
HB100 E2	9140*	4195**	2230	1525	1140	815	595	435	
HB100 E3	8800*	4070**	2095	1390	1030	815	595	435	
HB100 E4	8470*	3925**	1970	1300	940	730	595	435	
HB100 E5	8150*	3785**	1860	1205	860	650	520	435	

* Theoretical lifting capacity
** Fixed hook capacity

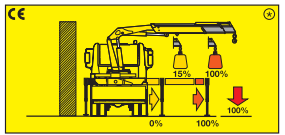


Stability control systems (CE)

HXL System

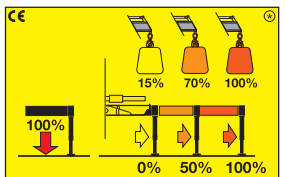


The TCU checks the positions of the stabilizers beams, monitoring for two possible positions: beam fully open, beam not fully open. Depending on the position of the beams and the stabilizers, the crane's lifting capacity changes according to the setting made by the installer. This allows the operator to use the crane even with a beam partially or fully retracted without having stability problems.

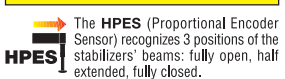


Optional HRCS
The Rotation Control Sensor constantly checks the slewing position of the crane and limits the lifting capacity depending on the beams' and the stabilizers' positions.

H2XL System



The TCU checks the positions of the stabilizers and divides the working area into 4 slewing sectors: over the cabin, right side, left side and the rear of the vehicle. Depending on the position of the beams and the stabilizers, the crane's lifting capacity changes according to the settings made by the installer. This allows the operator to use the crane even with a beam partially or fully retracted without having stability problems.



The HPES (Proportional Encoder Sensor) recognizes 3 positions of the stabilizers' beams: fully open, half extended, fully closed.

The HRCS (Rotation Control Sensor) recognizes 4 slewing sectors: over the cabin, right side, left side, to the rear of the vehicle.

The CAN-BUS radio-control allows the operator to know the positions of the stabilizers and the loading conditions of the crane.

With manual opening stabilizers, the H2XL System only recognizes completely open or completely closed beam positions.

The percentages present in the pictures are merely examples and they have no bearing on the crane's real lifting capacities. The crane's real lifting capacities will depend on truck's stability.



HB 100 X

CAN-BUS



Only CE Version

Pressure compensated control valve: HAWE PSL2

- Multifunction remote control
- Protected against radio interference
- Move around the truck freely

EES Extra Extension Speed

A special regenerative valve reuses oil during extension, ensuring an incredibly high speed without compromising the safety of the crane.

Truck-mounted cranes

HB 100	E1	E2	E3	E4	E5
A	2245	2290	2390	2475	2475
B	2170	2170	2170	2170	2170
C	200	200	200	200	200
D	625	625	625	625	625
E	2480	2480	2480	2480	2480
F	650	650	650	650	650
G	2320	2320	2320	2320	2320
H	650	650	650	650	650
I	1225	1225	1225	1225	1225
L	275	275	275	275	275
M	640	640	640	640	750
F EXTRA	1300	1300	1300	1300	1300
H EXTRA	1300	1300	1300	1300	1300