

**HB SERIES,
ARTICULATED CRANES BUILT FOR LONG LIFE SERVICE AND
SUITABLE FOR A WIDE RANGE OF TASKS**



**THE MOST VERSATILE AND USER-FRIENDLY CRANE,
SIMPLE, EFFICIENT AND ROBUST**

HB 41


ACCESSORIES

- Outriggers with hydraulic extension
- Supplementary elements activations
- Winch
- Manual extensions
- Pivoting stabilizer legs
- Extra extensible stabilizers

CRANE CONTROL SYSTEM (Optional)


A-CLASS

- N. 2 step stabilizer beams
- N. 1 sector on slewing
- Mono-area pressure limit

E-CLASS

- N. 2 step stabilizer beams
- Proportional slewing control
- Truck side independent

HB 41


- Compact dimensions and reduced weight
- Proportional speed control of any single movement
- Stabilizer control by radio

HUMAN MACHINE INTERFACE (Optional)

L

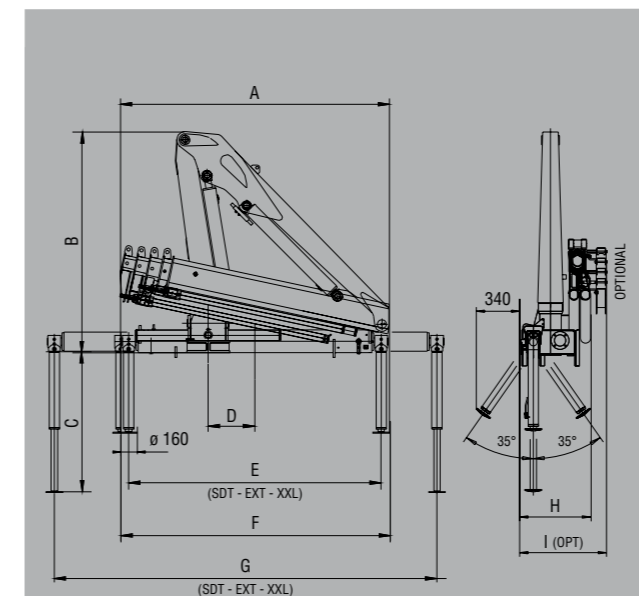
BRIGHT LED PANEL

D

INTELLIGENT DISPLAY 4.3"

Available for the entire range till **28 tm**. Highly user-friendly design, with buttons and LED lights. Dedicated led lights to identify the position of each stabilizer. New 3-digits display has been added to inform the operator about alarms and errors.

Up to **6 languages** available. Full color new display. Offers more information and data compared to the LED Panel. The graphic design and intuitive menu guide the operator and service technician to all the functionality information, statistics and performances.

TECHNICAL INFORMATION HB 41
DIMENSIONS (MM)


| | E1 | E2 | E3 | E4 |
|---------------|------|------|------|------|
| A | 2165 | 2165 | 2165 | 2165 |
| B | 1845 | 1845 | 1845 | 1845 |
| C | 1050 | 1050 | 1050 | 1050 |
| D | 380 | 380 | 380 | 380 |
| E (STD - EXT) | 1950 | 1950 | 1950 | 1950 |
| E (XXL) | 2010 | 2010 | 2010 | 2010 |
| F | 2170 | 2170 | 2170 | 2170 |
| G (STD) | 3040 | 3040 | 3040 | 3040 |
| G (EXT) | 4060 | 4060 | 4060 | 4060 |
| G (XXL) | 4780 | 4780 | 4780 | 4780 |
| H | 560 | 560 | 560 | 560 |
| I | 685 | 685 | 685 | 685 |

LOAD DIAGRAMS

| Model | kg | kg | kg | kg | kg | kg | kg |
|---------|-------|------|------|------|------|------|-------|
| HB41 E1 | 3840* | 995 | 770 | 550 | | | |
| | 1,00 | 3,86 | 4,98 | 6,44 | | | |
| HB41 E2 | 3630* | 990 | 710 | 550 | 420 | | |
| | 1,00 | 3,67 | 5,03 | 6,39 | 7,85 | | |
| HB41 E3 | 3510* | 930 | 650 | 500 | 410 | 320 | |
| | 1,00 | 3,77 | 5,13 | 6,49 | 7,85 | 9,31 | |
| HB41 E4 | 3370* | 870 | 600 | 450 | 360 | 300 | 240 |
| | 1,00 | 3,87 | 5,23 | 6,59 | 7,95 | 9,31 | 10,77 |

*) Theoretical lifting capacity

STANDARD FEATURES

Designed in accordance with: **EN12999:2020 + EN13849**

Designed class: **HC1 - HD4**

- Hexagonal section extensions
- Independent extension cylinders
- Flanged valves
- Assembly kit
- Oil tank
- Fixed stabilizer cylinders
- Dual controls (No with radio remote control)
- Light indicator for correct stabilizer stowing (CE)
- Mechanical rotation limitation (CE)

TECHNICAL SPECIFICATIONS

| | | HB 41 E1 | HB 41 E2 | HB 41 E3 | HB 41 E4 |
|---|---------------|----------|----------|----------|----------|
| Lifting moment | tm | 3,84 | 3,63 | 3,51 | 3,37 |
| Max. vertical reach | m | 7,80 | 9,26 | 10,65 | 12,06 |
| Slewing angle | ° | 380 | 380 | 380 | 380 |
| Slewing time | s/180° | 15 | 15 | 15 | 15 |
| Max. working heel | ° | 4 | 4 | 4 | 4 |
| Working pressure | bar | 235 | 235 | 235 | 235 |
| Oil tank capacity | l | 35 | 35 | 35 | 35 |
| Max. oil flow | l/m | 16 | 16 | 16 | 16 |
| Standard crane weight (without stabilizers) | kg | 625 | 675 | 725 | 850 |

110 countries
+3,500 employees
20,000 customers
+30 subsidiaries
14 production facilities



Hyva is a leading provider of innovative and highly efficient transport solutions for commercial vehicles used in transport, construction, mining, materials handling and environmental service industries.

Founded in 1979 in the Netherlands, the company has a global presence with more than 30 wholly owned subsidiaries, extraordinary service coverage and 14 manufacturing facilities in Brazil, China, Europe and India.

For more information on Hyva, please visit www.hyva.com

or follow us on:



Hyva Holding B.V.
Antonie van Leeuwenhoekweg 37
2408 AK Alphen aan den Rijn
The Netherlands
Telephone: +31 (0)172 - 42 35 55
Telefax: +31 (0)172 - 42 08 80
info@hyva.com
www.hyva.com



**Quality and
environmental certified**

DEALER STAMP

Data, descriptions, and illustrations pertain only and uniquely to models sold at the time of printing of this brochure. After the date of printing, this information is purely indicative and not binding upon HYVA. Future modifications are solely at the discretion of HYVA and are always in compliance with applicable and pertinent safety standards. To obtain updated data, descriptions, and illustrations, contact the manufacturer or your reseller. Cranes manufactured and/or marketed by HYVA. HYVA is not responsible for the special applications depicted. Crane applications and accessories described herein are only examples. Some applications and equipment shown may not be approved for use in CE countries or other areas. It is the installer's responsibility to ensure that the crane is applied correctly, and that its application, installation, and accessories maintain safety and comply with all local laws.