

**HB SERIES,
ARTICULATED CRANES BUILT FOR LONG LIFE SERVICE AND
SUITABLE FOR A WIDE RANGE OF TASKS**



**THE MOST VERSATILE AND USER-FRIENDLY CRANE,
SIMPLE, EFFICIENT AND ROBUST**

HB 38



ACCESSORIES

- Outriggers with hydraulic extension
- Supplementary elements activations
- Winch
- Manual extensions
- Pivoting stabilizer legs
- Extra extensible stabilizers
- Operator Full Protection (CE)

CRANE CONTROL SYSTEM (Optional)



A

A-CLASS

1-SECTOR

0% 15% 40% 100%

- N. 2 step stabilizer beams
- N. 1 sector on slewing
- Mono-area pressure limit

- Stabilizer's cylinders not on the ground
- 0% stabilizer's beams and stabilizer's cylinders on the ground
- 100% stabilizer's beams and stabilizer's cylinders on the ground
- Nominal pressure

HB 38 X



- Compact dimensions and reduced weight
- Proportional speed control of any single movement
- Stabilizer control by radio



HUMAN MACHINE INTERFACE (Optional)

L

BRIGHT LED PANEL

D

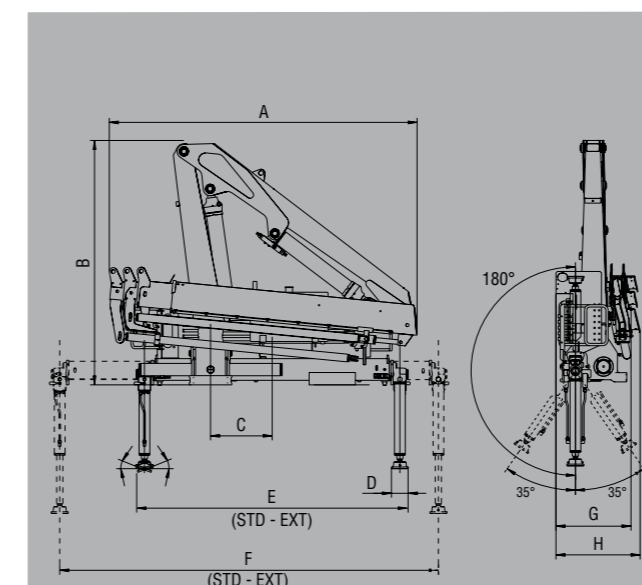
INTELLIGENT DISPLAY 4.3"

Available for the entire range till 28 tm. Highly user-friendly design, with buttons and LED lights. Dedicated led lights to identify the position of each stabilizer. New 3-digits display has been added to inform the operator about alarms and errors.

Up to 6 languages available. Full color new display. Offers more information and data compared to the LED Panel. The graphic design and intuitive menu guide the operator and service technician to all the functionality information, statistics and performances.

TECHNICAL INFORMATION HB 38

DIMENSIONS (MM)



	E1	E2	E3
A	1860	1920	2000
B	1590	1590	1590
C	400	400	400
D	110	110	110
E (STD)	1770	1770	1770
E (EXT)	2070	2070	2070
F (STD)	2460	2460	2460
F (EXT)	2760	2760	2760
G	490	490	490
H	550	550	550

LOAD DIAGRAMS

Model	2760*	1360	865	610	450	335	
HB38 E1	1,00	2,00	3,18	4,53	5,98	7,43	
HB38 E2	1,00	2,00	3,28	4,63	5,98	7,43	
HB38 E3	1,00	2,00	3,38	4,73	6,03	7,38	8,78

*) Theoretical lifting capacity

STANDARD FEATURES

Designed in accordance with: EN12999:2020 + EN13849

Designed class: HC1 - HD4

- Load limiting device (CE)
- Hexagonal section extensions
- Independent extension cylinders
- Flanged valves
- Assembly kit
- Oil tank
- Fixed stabilizer cylinders
- Dual controls (No with radio remote control)
- Light indicator for correct stabilizer stowing (CE)
- Mechanical rotation limitation (CE)

TECHNICAL SPECIFICATIONS

		HB 38 E1	HB 38 E2	HB 38 E3
Lifting moment	tm	2,75	2,66	2,57
Max. vertical reach	m	7,0	8,3	9,7
Slewing angle	°	370	370	370
Slewing time	s/180°	10	10	10
Max. working heel	°	4	4	4
Working pressure	bar	185	185	185
Oil tank capacity	l	25	25	25
Max. oil flow	l/m	8	8	8
Standard crane weight (without stabilizers)	kg	390	425	455

110 countries
+3,500 employees
20,000 customers
+30 subsidiaries
14 production facilities



Hyva is a leading provider of innovative and highly efficient transport solutions for commercial vehicles used in transport, construction, mining, materials handling and environmental service industries.

Founded in 1979 in the Netherlands, the company has a global presence with more than 30 wholly owned subsidiaries, extraordinary service coverage and 14 manufacturing facilities in Brazil, China, Europe and India.

For more information on Hyva, please visit www.hyva.com

or follow us on:



Hyva Holding B.V.
Antonie van Leeuwenhoekweg 37
2408 AK Alphen aan den Rijn
The Netherlands
Telephone: +31 (0)172 - 42 35 55
Telefax: +31 (0)172 - 42 08 80
info@hyva.com
www.hyva.com



**Quality and
environmental certified**

DEALER STAMP