

**HA SERIES, THE IDEAL SOLUTION FOR
INSTALLATION ON LIGHT VEHICLES**



**TELESCOPIC CRANES - COMPACT,
LIGHT AND EASY TO USE**

HA Light Compact Range

WIDE RANGE OF TELESCOPIC CRANES IDEAL FOR INSTALLATION ON LIGHT AND EXTRA-LIGHT VEHICLES

Cranes of the HA range with lifting capacity up to 3 tm. Easy to operate, they simplify the light loads daily operations and are suitable for several applications.

- ◆ Thanks to their **extremely compact dimensions** all cranes in the **HA series** are projected to be mounted on small equipment such as: small trucks, car trailer, tracked vehicle, pickup.
- ◆ **Control panel** with customised position in order to always have the more ergonomic position.
- ◆ **Hexagonal extensions with sliding pads** allow to always have rigid and aligned boom.



HA 21



HA 22



HA 10



HA 27



HA 14



HA 28



HA 15



HA 33



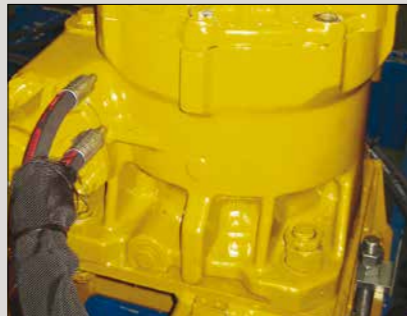
TECHNICAL SOLUTIONS TO RAISE RELIABILITY AND SAFETY

ABS protective cover on controls



- The crane's simple structure is different from our larger series because of its single articulation and boom. This reduces the number of control levers to 4, making the controls very easy to master. The control valve is mounted in an enclosure that protects it while simplifying its operation.

Cast iron and steel base



- Integral (one-piece) steel castings, at the heart of all Hyva crane bases and slewing systems, distribute load stresses more evenly, are more reliable, lighter in weight (except HA10).

Electro-hydraulic powerpack



- Power packs which use 12VDC or 24VDC power are normally controlled by the crane's control valve, so that they turn on and off automatically as needed.

Manual Tilting Stabilizers



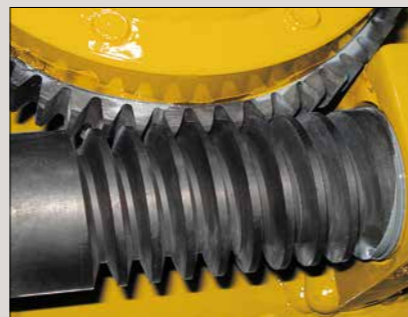
- Our smaller cranes are equipped with a manual tilting stabilizer, which due to its small size is easily handled by one person. The stabilizer leg pivots on a spindle into vertical or horizontal positions, and is secured there with a locking pin.

Safety valves on cylinders



- Every cylinder of the crane is protected by a safety valve to provide enhanced load control and prevent unintentional movement.

Rack a pinion slewing

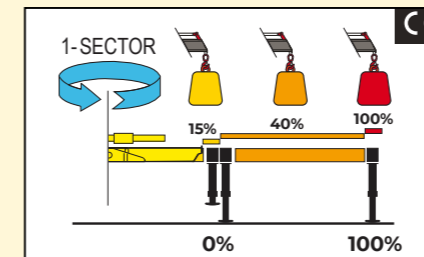


- A slewing system based on rack and pinion is the best solution to ensure: high precision, reduced weight, and compact dimensions.

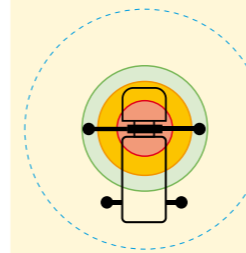
CRANE CONTROL SYSTEM



A-CLASS



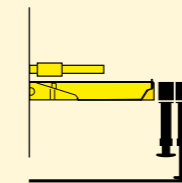
- N.2 step stabilizer beams
- N.1 sector on slewing
- Mono-area pressure limit



- Stabilizer's cylinders not on the ground.
- 0% stabilizer's beams and stabilizer's cylinders on the ground.
- 50% stabilizer's beams and stabilizer's cylinders on the ground.
- 100% stabilizer's beams and stabilizer's cylinders on the ground.
- Nominal pressure.

NEW STABILITY LOGIC

Be free to maximize the use of your crane for all stabilizers' positions.

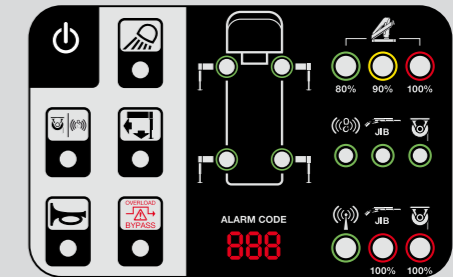


*The percentages present in the pictures are merely examples and they have no bearing on the cranes' real lifting capacities. The cranes' real lifting capacity will depend on truck's stability.

HUMAN MACHINE INTERFACE



BRIGHT LED PANEL



Available for the entire range till 28Tm.

Highly user-friendly design, with buttons and LED lights. Dedicated led lights to identify the position of each stabilizer. New 3-digits display has been added to inform the operator about alarms and errors.

SINGLE HAND PROPORTIONAL SYSTEM X

Move around freely and maintain your view in every movement while you control the crane. Radio remote control designed to withstand extreme temperatures and working conditions.



BOSCH
Proportional control valve

- High robustness
- More Functionality
- Proportional speed control of any single movement
- Single-handed control of every crane function
- Stabilizer control by radio
- Rechargeable



■ User Friendly ■ Ergonomic ■ Cost saving ■ Safe ■ Reliability

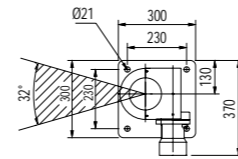
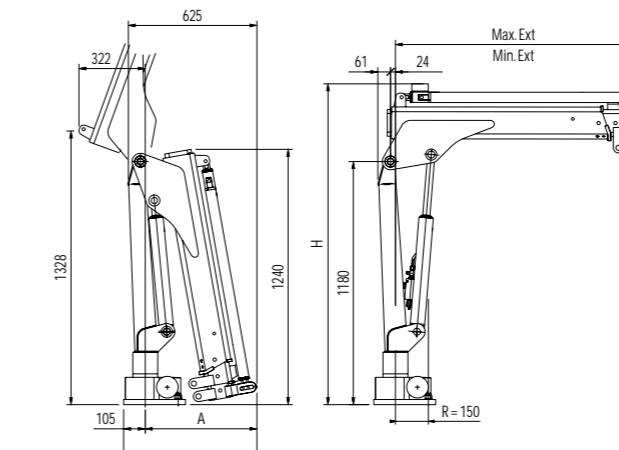
A CRANE FOR EVERY NEED

These cranes fulfill the needs on several fields: forestry, marine, gardening and nursery, construction, agriculture, tourism, handicrafts, beekeeping, small and medium industries, civil and industrial maintenance.



TECHNICAL INFORMATION HA10

Dimensions (mm)



VERSION	A (mm)	H (mm)	MinExt (mm)	MaxExt (mm)
E1	490	1560	1080	1900
E2	542	1560	1148	2788

Accessories

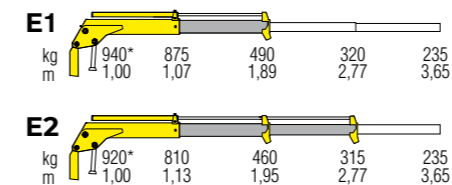
- Radio remote control
- Oil tank
- Manual extensions
- Electro-hydraulic powerpack
- Turning stabilizers
- Tubular base for crane stabilizers (single or double)
- Manually opening stabilizers
- "Green" Oil*



Standard features

- **Designed in accordance with EN12999:2020 + EN13849**
- **Design class: HC1-HD4**
- Hexagonal section extensions
- Independent extension cylinders
- Assembly kit
- Control panel with customizable position
- ABS protective cover on controls
- Worm and gear rotation
- Fittings SAE-JIC
- Light indicator for correct stabilizer stowing (CE)

Load diagrams



*)Theoretical lifting capacity

ONE CRANE, MANY APPLICATIONS

Thanks to the extensive range of accessories and attachments



Building



Construction



Energy



Environment



Gardening



Logistics



Maintenance



Mining



Oil&Gas



Rental

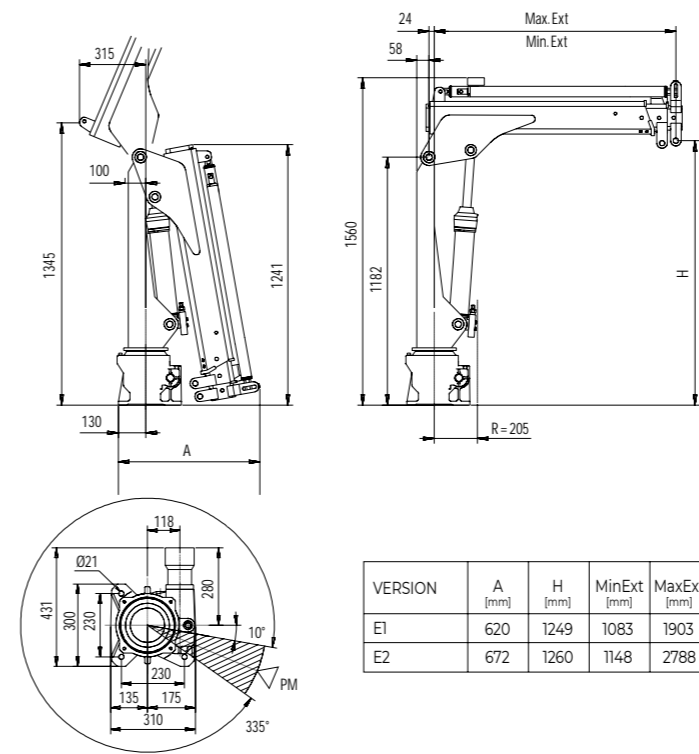
Technical specifications

		E1	E2
Lifting moment	tm	0,94	0,92
Slewing angle	°	328	328
Slewing time	s/180°	16	16
Working pressure	bar	180	180
Max working heel	°	3	3
Oil tank capacity	l	17,5	17,5
Max Oil flow	l/min	5	5
Max lifting height	m	3	3,85
Standard crane weight (without stabilizers)	kg	145	175



TECHNICAL INFORMATION HA14 - HA15

Dimensions (mm)



Accessories

- Radio remote control
- Oil tank
- Supplementary element activation
- Winch
- Manual extensions
- Electro-hydraulic powerpack
- Extra cross beams
- Tubular base for crane stabilizers (single or double)
- Manually opening stabilizers
- Manually opening and turning outriggers
- "Green" Oil*



Standard features

- **Designed in accordance with EN12999:2020 + EN13849**
- **Design class: HC1-HD4**
- Hexagonal section extensions
- Flanged valve
- Assembly kit
- Control panel with customizable position
- ABS protective cover on controls
- Worm and gear rotation
- Fittings SAE-JIC
- Sliding pads on telescopic extensions
- Self-lubricating bushings
- Independent telescopic cylinders
- Light indicator for correct stabilizer stowing (CE)
- Mechanical rotation limitation (CE)
- Swivel stabilizer foot
- A Class - Crane Control System (HA15 CE version)
- LED panel - Human Machine Interface (HA15 CE version)
- M - Manual control (HA15 CE version)

Load diagrams

		HA14 - ONLY CE VERSION				
E1	kg	1280*	995	675	450	320
	m	1,00	1,07	1,89	2,77	3,65
HA15	kg	1280*	1195	675	450	320
	m	1,00	1,07	1,89	2,77	3,65
		HA14 - ONLY CE VERSION				
E2	kg	1240*	995	635	440	320
	m	1,00	1,13	1,95	2,77	3,65
HA15	kg	1260*	1115	635	440	320
	m	1,00	1,13	1,95	2,77	3,65

*)Theoretical lifting capacity

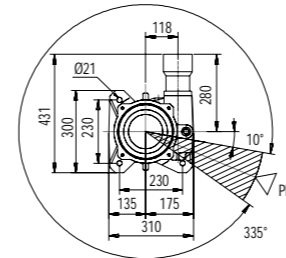
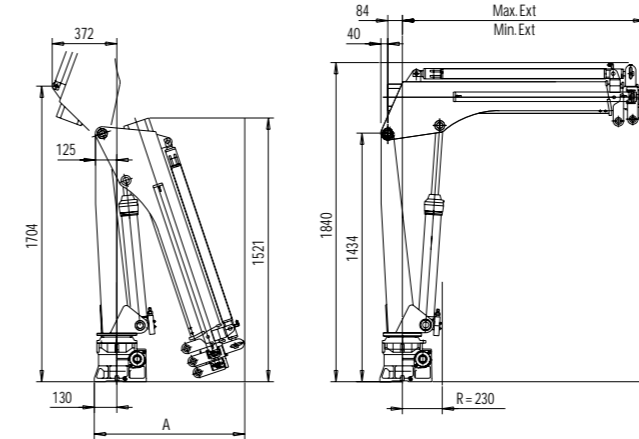
Technical specifications

		E1	E2
Lifting moment	tm	1,28	1,24
Slewing angle	°	335	335
Slewing time	s/180°	10	10
Working pressure	bar	160	160
Max working heel	°	3	3
Oil tank capacity	l	17,5	17,5
Max Oil flow	l/min	8	8
Max lifting height	m	2,98	3,80
Standard crane weight (without stabilizers)	kg	174	193



TECHNICAL INFORMATION HA21 - HA22

Dimensions (mm)



VERSION	A [mm]	H [mm]	MinExt [mm]	MaxExt [mm]
E1	695	1503	1245	2170
E2	710	1510	1327	3177
E3	868	1522	1398	4173

Accessories

- Radio remote control
- Oil tank
- Supplementary element activation
- Winch
- Manual extensions
- Electro-hydraulic powerpack
- Extra cross beams
- Tubular base for crane stabilizers (single or double)
- Manually opening stabilizers
- Manually opening and turning outriggers
- "Green" Oil*



Standard features

- **Designed in accordance with EN12999:2020 + EN13849**
- **Design class: HC1-HD4**
- Hexagonal section extensions
- Flanged valve
- Assembly kit
- Control panel with customizable position
- ABS protective cover on controls
- Worm and gear rotation
- Fittings SAE-JIC
- Sliding pads on telescopic extensions
- Self-lubricating bushings
- Independent telescopic cylinders
- Light indicator for correct stabilizer stowing (CE)
- Mechanical rotation limitation (CE)
- Swivel stabilizer foot
- A Class - Crane Control System (HA22 CE version)
- LED panel - Human Machine Interface (HA22 CE version)
- M - Manual control (HA22 CE version)

Load diagrams

VERSION	A [mm]	H [mm]	MinExt [mm]	MaxExt [mm]
E1	2000*	995	930	630
	1,00	1,23	2,15	3,16
HA21 - ONLY CE VERSION	2000*	995	930	630
	1,00	1,23	2,15	3,16
HA22	2000*	1610	930	630
	1,00	1,23	2,15	3,16
E2	1960*	995	880	620
	1,00	1,31	2,23	3,16
HA21 - ONLY CE VERSION	1960*	995	880	620
	1,00	1,31	2,23	3,16
HA22	1970*	1505	880	620
	1,00	1,31	2,23	3,16
E3	1740*	995	755	530
	1,00	1,38	2,31	3,23
HA21 - ONLY CE VERSION	1740*	995	755	530
	1,00	1,38	2,31	3,23
HA22	1770*	1285	755	530
	1,00	1,38	2,31	3,23

*)Theoretical lifting capacity

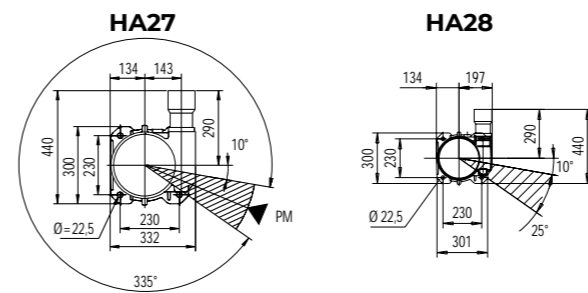
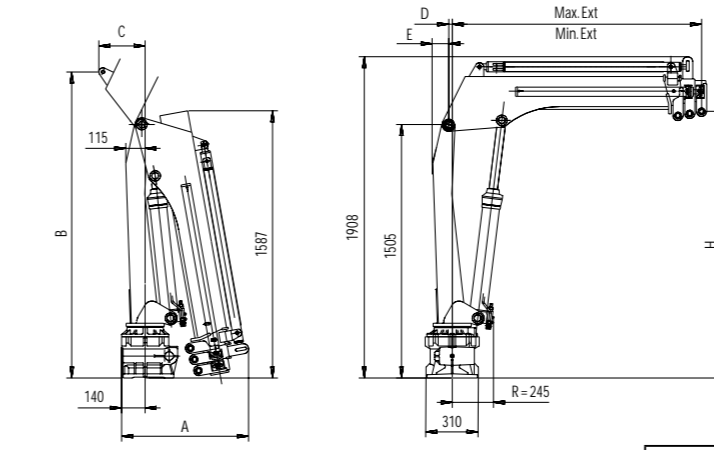
Technical specifications

		E1	E2	E3
Lifting moment	tm	2,00	1,96	1,74
Slewing angle	°	335	335	335
Slewing time	s/180°	10	10	10
Working pressure	bar	160	160	160
Max working heel	°	3	3	3
Oil tank capacity	l	17,5	17,5	17,5
Max Oil flow	l/min	8	8	8
Max lifting height	m	3,56	4,51	5,45
Standard crane weight (without stabilizers)	kg	216	240	262



TECHNICAL INFORMATION HA27 - HA28

Dimensions (mm)



Accessories

- Radio remote control
- Oil tank
- Supplementary element activation
- Winch
- Manual extensions
- Electro-hydraulic powerpack
- Extra cross beams
- Tubular base for crane stabilizers (single or double)
- Manually opening stabilizers
- Manually opening and turning outriggers
- "Green" Oil*



VERSION	A [mm]	B [mm]	C [mm]	D [mm]	E [mm]	H [mm]	MinExt [mm]	MaxExt [mm]				
		HA27	HA28	HA27	HA28	HA27	HA28					
E1	730	1817	1837	275	235	20	99	119	1559	1559	1339	2664
E2	753	1817	1837	275	235	20	99	119	1571	1571	1409	3259
E3	753	1817	1837	275	235	20	99	119	1584	1584	1479	4254

Standard features

- Designed in accordance with EN12999:2020 + EN13849
- Design class: HC1-HD4
- Load limiting device (CE)
- Hexagonal section extensions
- Flanged valve
- Assembly kit
- Control panel with customizable position
- ABS protective cover on controls
- Worm and gear rotation
- Fittings SAE-JIC
- Sliding pads on telescopic extensions
- Self-lubricating bushings
- Independent telescopic cylinders
- Light indicator for correct stabilizer stowing (CE)
- Mechanical rotation limitation (CE)
- Swivel stabilizer foot
- A Class - Crane Control System (HA28 CE version)
- LED panel - Human Machine Interface (HA28 CE version)
- M - Manual control (HA28 CE version)

Load diagrams

kg	HA27 - ONLY CE VERSION					HA28
	2690*	995	995	830	610	
m	1,00	1,32	2,25	3,24	4,24	
	2750*	2085	1220	830	610	
	1,00	1,32	2,25	3,24	4,24	

kg	HA27 - ONLY CE VERSION					HA28
	2660*	995	995	820	610	
m	1,00	1,39	2,32	3,24	4,24	
	2720*	1960	1160	820	610	
	1,00	1,39	2,32	3,24	4,24	

kg	HA27 - ONLY CE VERSION					HA28
	2580*	995	995	780	605	
m	1,00	1,46	2,39	3,31	4,24	465
	2710*	1855	1105	780	605	465
	1,00	1,46	2,39	3,31	4,24	5,19

*)Theoretical lifting capacity

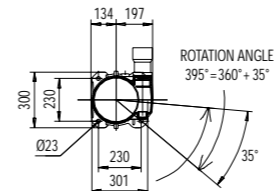
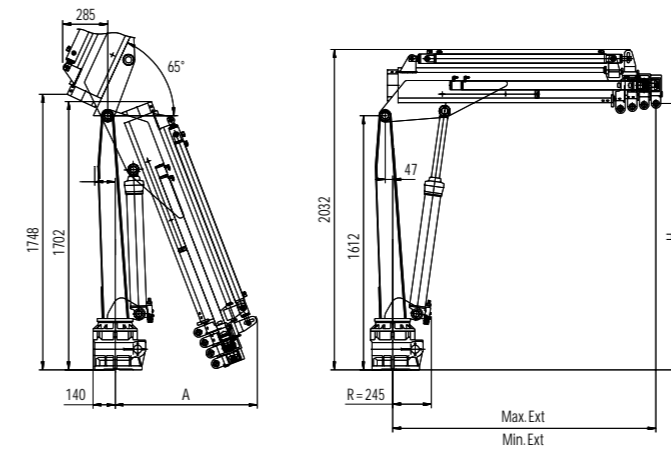
Technical specifications

		E1	E2	E3
Lifting moment	tm	2,75	2,72	2,71
Slewing angle	°	335	335	335
Slewing time	s/180°	16	16	16
Working pressure	bar	160	160	150
Max working heel	°	3	3	3
Oil tank capacity	l	17,5	17,5	17,5
Max Oil flow	l/min	10	10	10
Max lifting height	m	3,58	4,49	5,39
Standard crane weight (without stabilizers)	kg	263	HA27 295 HA28 298	HA27 321 HA28 323



TECHNICAL INFORMATION HA33

Dimensions (mm)



VERSION	A [mm]	H [mm]	MinExt [mm]	MaxExt [mm]
E1	836	1657	1443	2503
E2	900	1670	1518	3638
E3	900	1682	1593	4773
E4	900	1690	1668	5908

Accessories

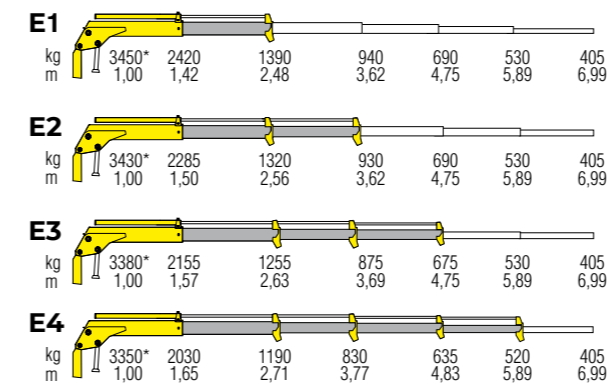
- Radio remote control
- Oil tank
- Supplementary element activation
- Winch
- Manual extensions
- Electro-hydraulic powerpack
- Extra cross beams
- Tubular base for crane stabilizers (single or double)
- Manually opening stabilizers
- Manually opening and turning outriggers
- "Green" Oil*



Standard features

- **Designed in accordance with EN12999:2020 + EN13849**
- **Design class: HC1-HD4**
- Load limiting device (CE)
- Hexagonal section extensions
- Flanged valve
- Assembly kit
- Control panel with customizable position
- ABS protective cover on controls
- Worm and gear rotation
- Fittings SAE-JIC
- Sliding pads on telescopic extensions
- Self-lubricating bushings
- Independent telescopic cylinders
- Light indicator for correct stabilizer stowing (CE)
- Mechanical rotation limitation (CE)
- Swivel stabilizer foot
- A Class - Crane Control System (CE version)
- LED panel - Human Machine Interface (CE version)
- M - Manual control (CE version)

Load diagrams



*)Theoretical lifting capacity

Technical specifications

		E1	E2	E3	E4
Lifting moment	tm	3,45	3,43	3,38	3,35
Slewing angle	°	395	395	395	395
Slewing time	s/180°	16	16	16	16
Working pressure	bar	175	175	175	175
Max working heel	°	3	3	3	3
Oil tank capacity	l	17,5	17,5	17,5	17,5
Max Oil flow	l/min	10	10	10	10
Max lifting height	m	3,94	4,98	6,01	7,04
Standard crane weight (without stabilizers)	kg	305	339	371	399

110 countries
+3,500 employees
20,000 customers
+30 subsidiaries
14 production facilities



Hyva is a leading provider of innovative and highly efficient transport solutions for commercial vehicles used in transport, construction, mining, materials handling and environmental service industries.

Founded in 1979 in the Netherlands, the company has a global presence with more than 30 wholly owned subsidiaries, extraordinary service coverage and 14 manufacturing facilities in Brazil, China, Europe and India.

For more information on Hyva, please visit www.hyva.com

or follow us on:



Hyva Holding B.V.
Antonie van Leeuwenhoekweg 37
2408 AK Alphen aan den Rijn
The Netherlands
Telephone: +31 (0)172 - 42 35 55
info@hyva.com
www.hyva.com



Quality and
environmental certified

DEALER STAMP