

**HA SERIES, THE PERFECT SOLUTION
FOR APPLICATIONS WITH LIGHT VEHICLES**

TELESCOPIC CRANE – COMPACT, LIGHT AND EASY TO USE
HA 27



ACCESSORIES

- Radio remote control
- Oil tank
- Supplementary element activation
- Winch
- Manual extensions
- Electro-hydraulic powerpack
- Extra cross beams
- Tubular base for crane stabilizers (single or double)
- Manually opening stabilizers
- Manually opening and turning outriggers
- "Green" Oil*



Electro-hydraulic powerpack

HA 27

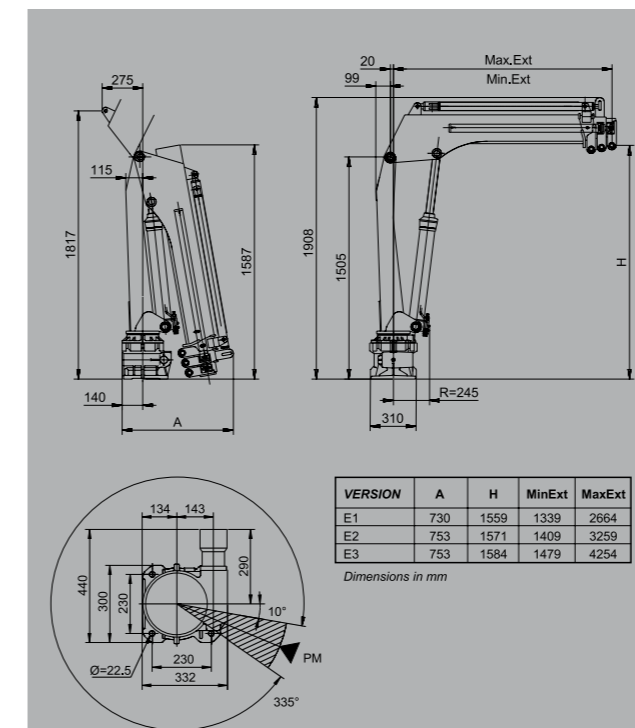
- Compact dimensions and reduced weight
- Proportional speed control of any single movement
- Stabilizer control by radio



*) Eco-friendly

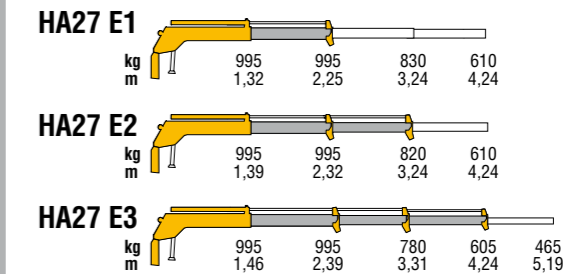
TECHNICAL INFORMATION HA 27

DIMENSIONS (MM)



- Thanks to their extremely compact dimensions all cranes in the HA series are projected to be mounted on small equipment such as: car trailer, tracked vehicle, pickup, small trucks and stationary mounting;
- Control panel with customised position in order to always have the more ergonomic position;
- Hexagonal extensions with sliding pads allow to always have rigid and aligned boom.

LOAD DIAGRAMS



STANDARD FEATURES

- Designed in accordance with EN12999
- Design class: HC1-HD4
- Hexagonal section extensions
- Flanged valve
- Assembly kit
- Control panel with customizable position
- ABS protective cover on controls
- Worm and gear rotation
- Fittings SAE-JIC
- Sliding pads on telescopic extensions
- Self-lubricating bushings
- Independent telescopic cylinders
- Light indicator for correct stabilizer stowing (CE)
- Mechanical rotation limitation (CE)
- Swivel stabilizer foot

TECHNICAL SPECIFICATIONS

		HA 27 E1	HA 27 E2	HA 27 E3
Lifting moment	tm	2,24	2,66	2,58
Max. vertical reach	m	3,58	4,49	5,39
Slewing angle	°	335	335	335
Slewing time	s/180°	16	16	16
Max. working heel	°	3	3	3
Working pressure	bar	160	160	160
Oil tank capacity	l	17,5	17,5	17,5
Max. oil flow	l/m	10	10	10
Standard crane weight (without stabilizers)	kg	263	295	321

130 countries
2,500 employees
25,000 customers
37 subsidiaries
12 production facilities



Hyva is a leading provider of innovative and highly efficient transport solutions for commercial vehicles used in transport, construction, mining, materials handling and environmental service industries.

Founded in 1979 in the Netherlands, the company has a global presence with 37 fully owned subsidiaries, extraordinary service coverage and 12 manufacturing facilities in Brazil, China, Europe and India.

For more information on Hyva, please visit www.hyva.com

or follow us on:



Hyva Holding B.V.
Antonie van Leeuwenhoekweg 37
2408 AK Alphen aan den Rijn
The Netherlands
Telephone: +31 (0)172 - 42 35 55
Telefax: +31 (0)172 - 42 08 80
info@hyva.com
www.hyva.com



**Quality and
environmental certified**

DEALER STAMP