

**HA SERIES, THE PERFECT SOLUTION
FOR APPLICATIONS WITH LIGHT VEHICLES**



TELESCOPIC CRANE – COMPACT, LIGHT AND EASY TO USE

HA 110

**MOST RECOMMENDED FOR
CAR RECOVERY TRUCKS**


ACCESSORIES

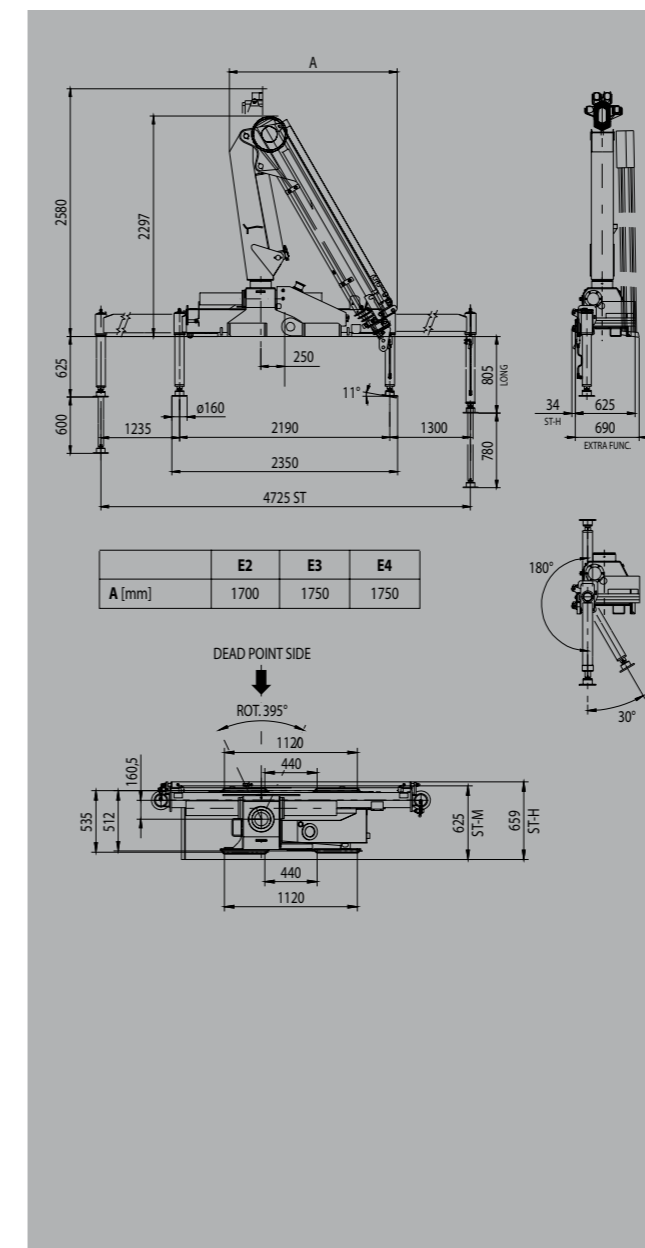
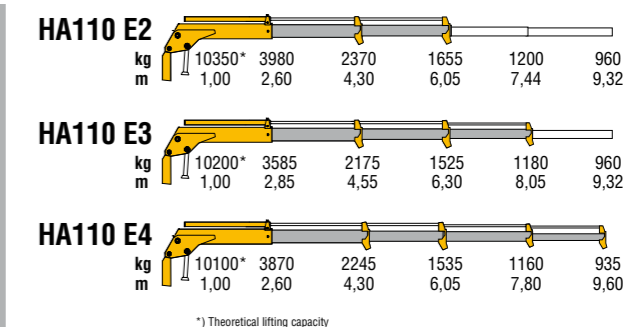
- Load limiting device (No CE)
- Supplementary elements activations
- Mechanical rotation limitation (No CE)
- Winch
- Manual extensions
- Hydraulic opening stabilizers
- Turning stabilizers
- Top seat
- Extra cross beams
- "Green" Oil*

HA 110

Pressure compensated control valve: **HAWE PSL2**

- Multifunction remote control
- Protected against radio interference
- Move around the truck freely

*) Eco-friendly


TECHNICAL INFORMATION HA 110
DIMENSIONS (MM)

LOAD DIAGRAMS

STANDARD FEATURES

- Designed in accordance with EN12999
- Design class: HC1-HD4
- Hexagonal section extensions
- Flanged valve
- Assembly kit
- Manually opening stabilizers
- Oil tank
- Fittings SAE-JIC
- Sliding pads on telescopic extensions
- Self-lubricating bushings
- Fixed stabilizer cylinders
- Dual controls (No with radio remote control)
- Swivel stabilizer foot
- Plastic cover on the control station (radio version)
- Proportional inclination sensor on boom (radio version)
- Proportional pressure transducer on main cylinder (radio version)

TECHNICAL SPECIFICATIONS

		HA 110 E2	HA 110 E3	HA 110 E4
Lifting moment	tm	10,35	10,20	10,10
Max. vertical reach	m	9,46	11,45	13,00
Slewing angle	°	395	395	395
Slewing time	s/180°	17	17	17
Max. working heel	°	4	4	4
Working pressure	bar	295	295	295
Oil tank capacity	l	60	60	60
Max. oil flow	l/m	20	20	20
Standard crane weight (without stabilizers)	kg	1000	1080	1145



110 countries
+3,500 employees
20,000 customers
+30 subsidiaries
12 production facilities



Hyva is a leading provider of innovative and highly efficient transport solutions for commercial vehicles used in transport, construction, mining, materials handling and environmental service industries.

Founded in 1979 in the Netherlands, the company has a global presence with more than 30 wholly owned subsidiaries, extraordinary service coverage and 12 manufacturing facilities in Brazil, China, Europe and India.

For more information on Hyva, please visit www.hyva.com

or follow us on:



Hyva Holding B.V.
Antonie van Leeuwenhoekweg 37
2408 AK Alphen aan den Rijn
The Netherlands
Telephone: +31 (0)172 - 42 35 55
Telefax: +31 (0)172 - 42 08 80
info@hyva.com
www.hyva.com



**Quality and
environmental certified**

DEALER STAMP