



# INSTALLATION MANUAL

# TITAN CITY HOOKLOADER MERCEDES SPRINTER - INSTALLATION MANUAL

## CONTENTS

|  |    |
|--|----|
| 1. SAFETY.....                                 | 3  |
| 2. GENERAL POSITIONING OF CITY HOOKLOADER..... | 5  |
| 3. OVERVIEW OF CITY HOOKLOADER .....           | 6  |
| 4. MOUNTING CHASSIS BRACKETS.....              | 7  |
| 5. MOUNTING OF SUBFRAME.....                   | 8  |
| 6. ELECTRICAL WIRING.....                      | 10 |
| 7. HYDRAULICS .....                            | 14 |
| 8. MOUNTING OF SIDE PROTECTION .....           | 15 |
| 9. MOUNTING OF MUDGUARDS.....                  | 20 |
| APPENDIX.....                                  | 22 |

# TITAN CITY HOOKLOADER MERCEDES SPRINTER - INSTALLATION MANUAL

## 1. SAFETY

---

**Precaution:**

Read and understand the safety instructions before operating a hookloader. Also familiarize oneself with the operators' manual.



**Precaution:**

Wear protective gear when working with a hookloader or truck chassis.



**Precaution:**

Carefully check your surroundings before starting an operation.



**Precaution:**

Always follow the truck manufacturers guidelines when working with the truck chassis.



**Precaution:**

Always follow the safety requirements posted in the workshop to avoid risk of injury.



# TITAN CITY HOOKLOADER MERCEDES SPRINTER - INSTALLATION MANUAL

**Highly dangerous:**

Standing beneath a hanging container, in reach of moving parts, or besides a tipped hookloader.



**Highly dangerous:**

Maintaining the system with the key in the ignition, in tipped position without a jig, or while the system is carrying a container.



**Highly dangerous:**

Bystanders and passers-by standing behind the system or within reach of moving parts.



**Highly dangerous:**

Tipping with heavy winds (grade 5 or higher on the Beaufort scale).



**Highly dangerous:**

Before operating check the area for high voltage cables. Storms can cause electrical discharge from the hookloader.



**Warning:**

Never lock any of the operating levers or buttons.



**Warning:**

Do not operate while stationed on a soft surface.



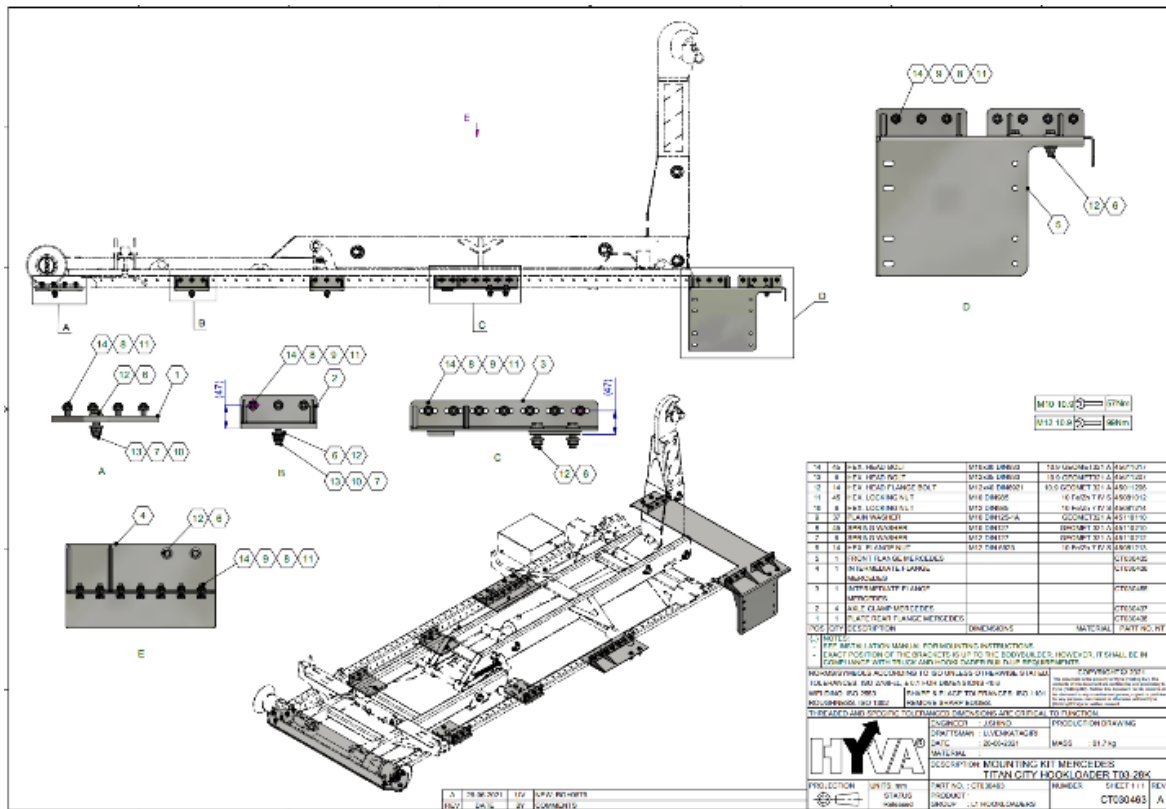
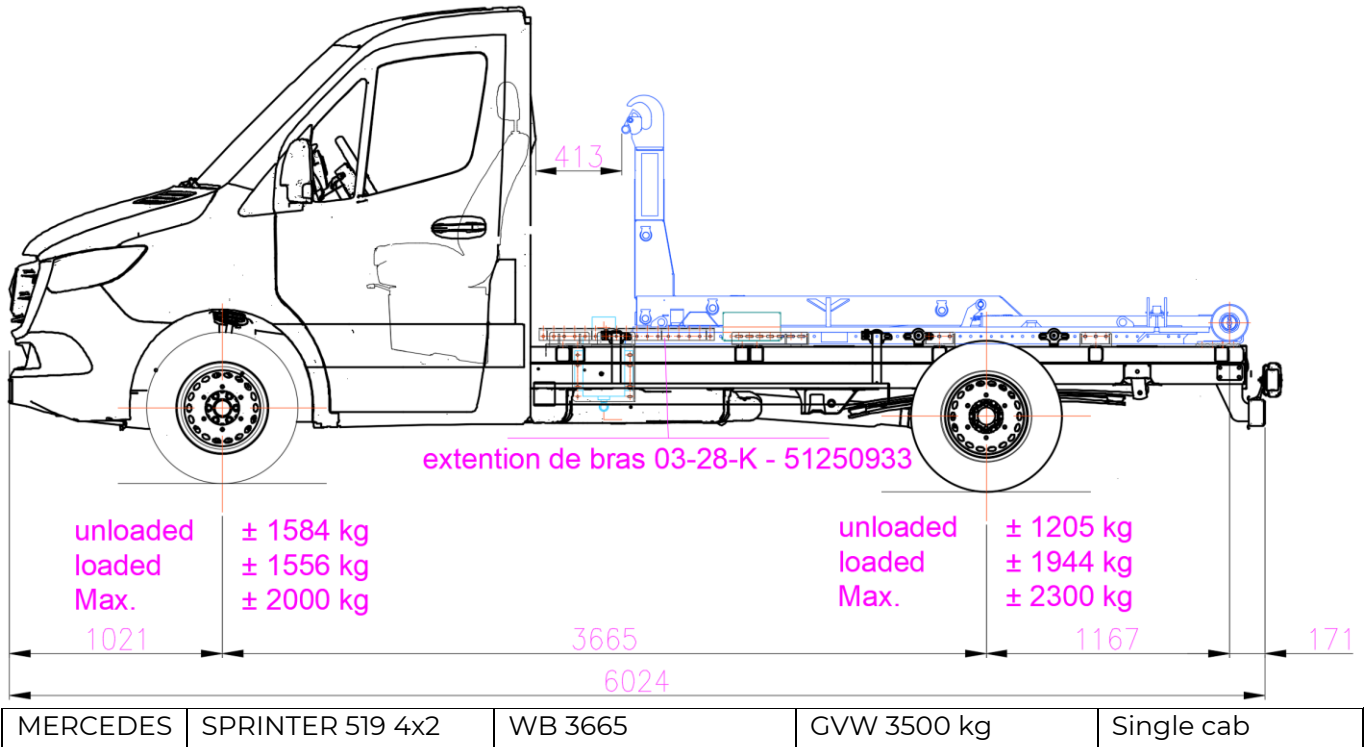
**Caution:**

Do not lift a container without checking the lifting attachments.



# TITAN CITY HOOKLOADER MERCEDES SPRINTER - INSTALLATION MANUAL

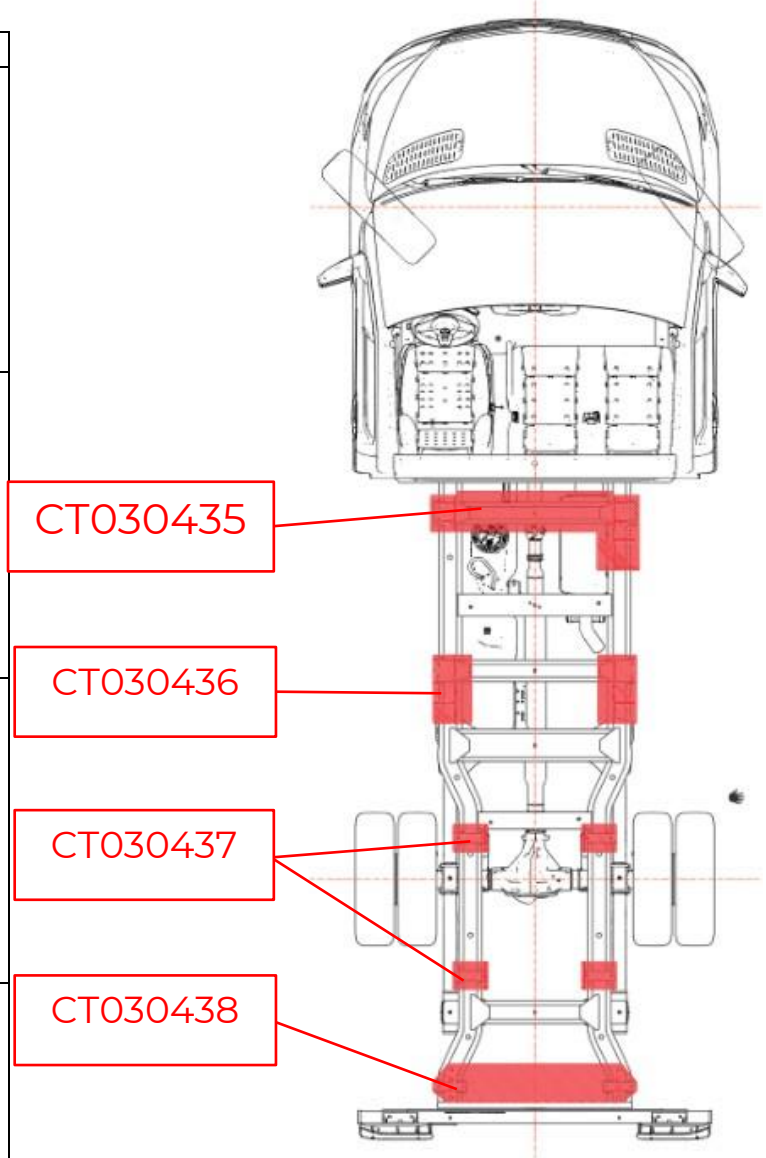
## 2. GENERAL POSITIONING OF CITY HOOKLOADER



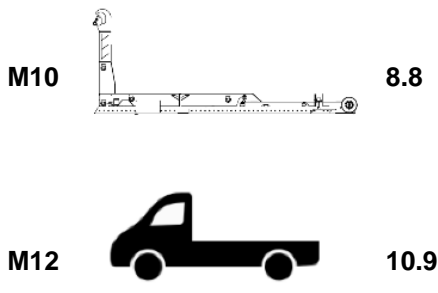
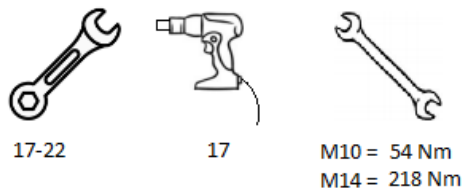
# TITAN CITY HOOKLOADER MERCEDES SPRINTER - INSTALLATION MANUAL

## 3. OVERVIEW OF CITY HOOKLOADERF

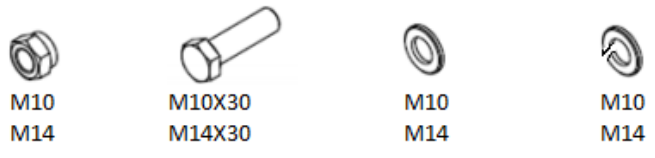
| Brackets                             |  |
|--------------------------------------|--|
| CT030435<br>(x1)                     |  |
| CT030436<br>(x1)<br>CT030455<br>(x1) |  |
| CT030437<br>(x4)                     |  |
| CT030438<br>(x1)                     |  |



### Tools:

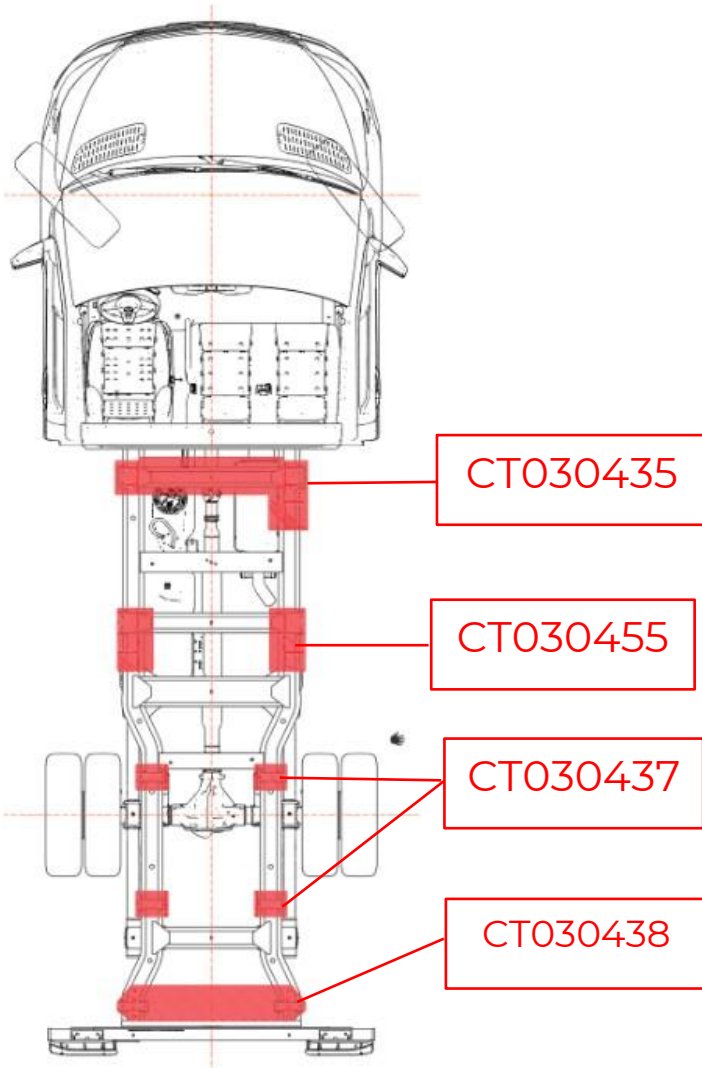






### Other Parts supplied with Mounting Kit



# TITAN CITY HOOKLOADER MERCEDES SPRINTER - INSTALLATION MANUAL

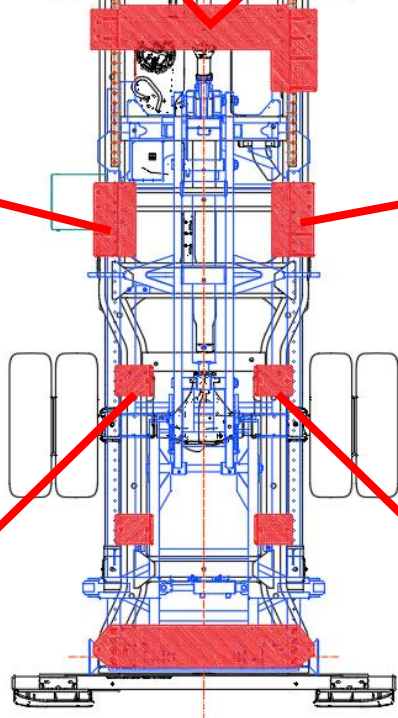
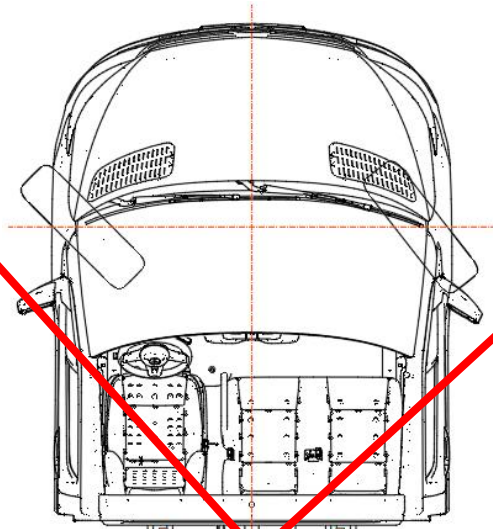
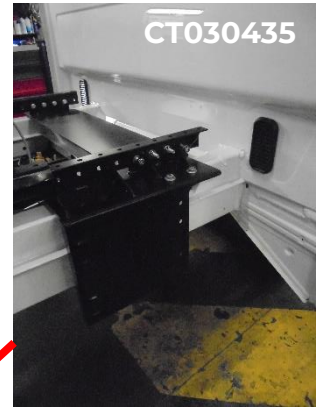
## 4. MOUNTING CHASSIS BRACKETS



|  |   |
|--|---|
| Brackets<br><b>CT030435</b><br><br>4x M12                                    |    |
| <b>CT030455</b><br><br>2x M12  |   |
| <b>CT030437</b><br><br>2x M12  |  |
| <b>CT030438</b><br><br>2x M12<br>+<br>4x M10<br><b>prepared for hooklift</b> |  |

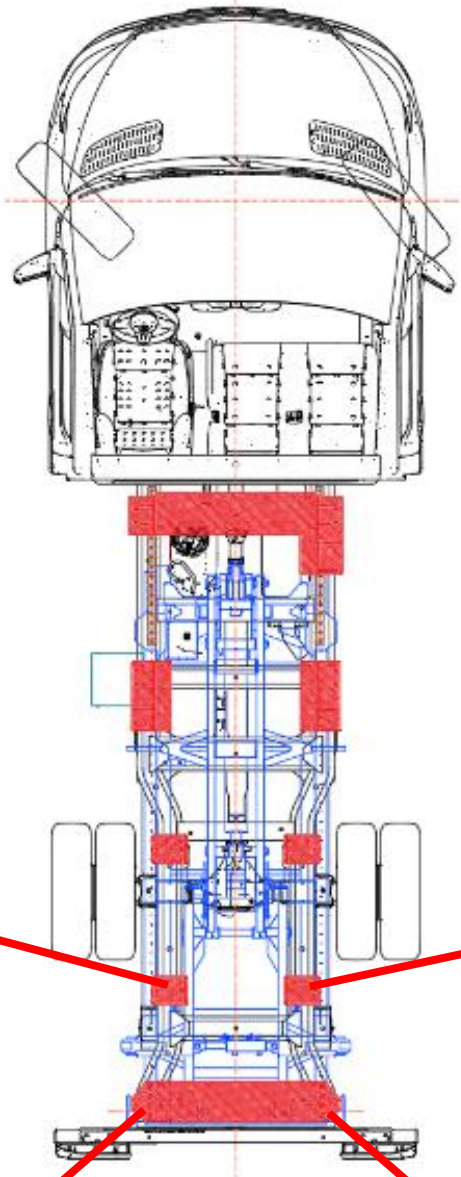
# TITAN CITY HOOKLOADER MERCEDES SPRINTER - INSTALLATION MANUAL

## 5. MOUNTING OF SUBFRAME





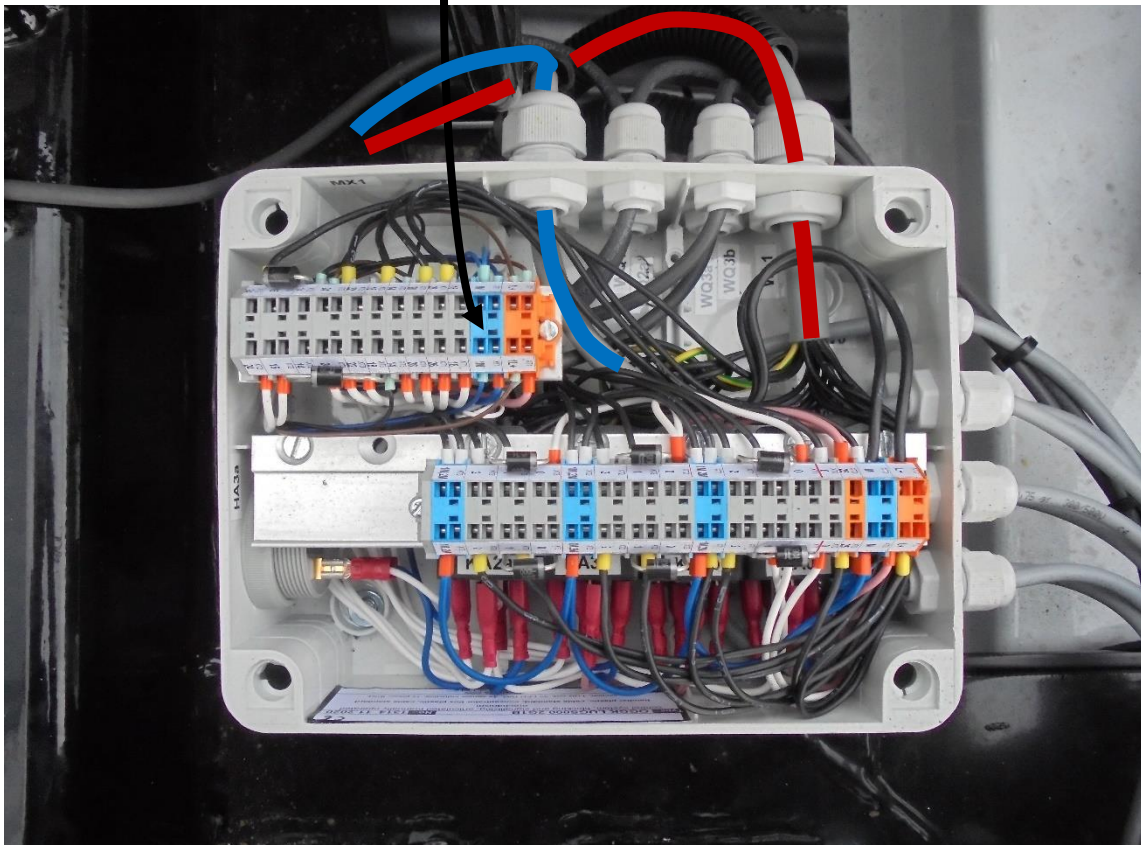
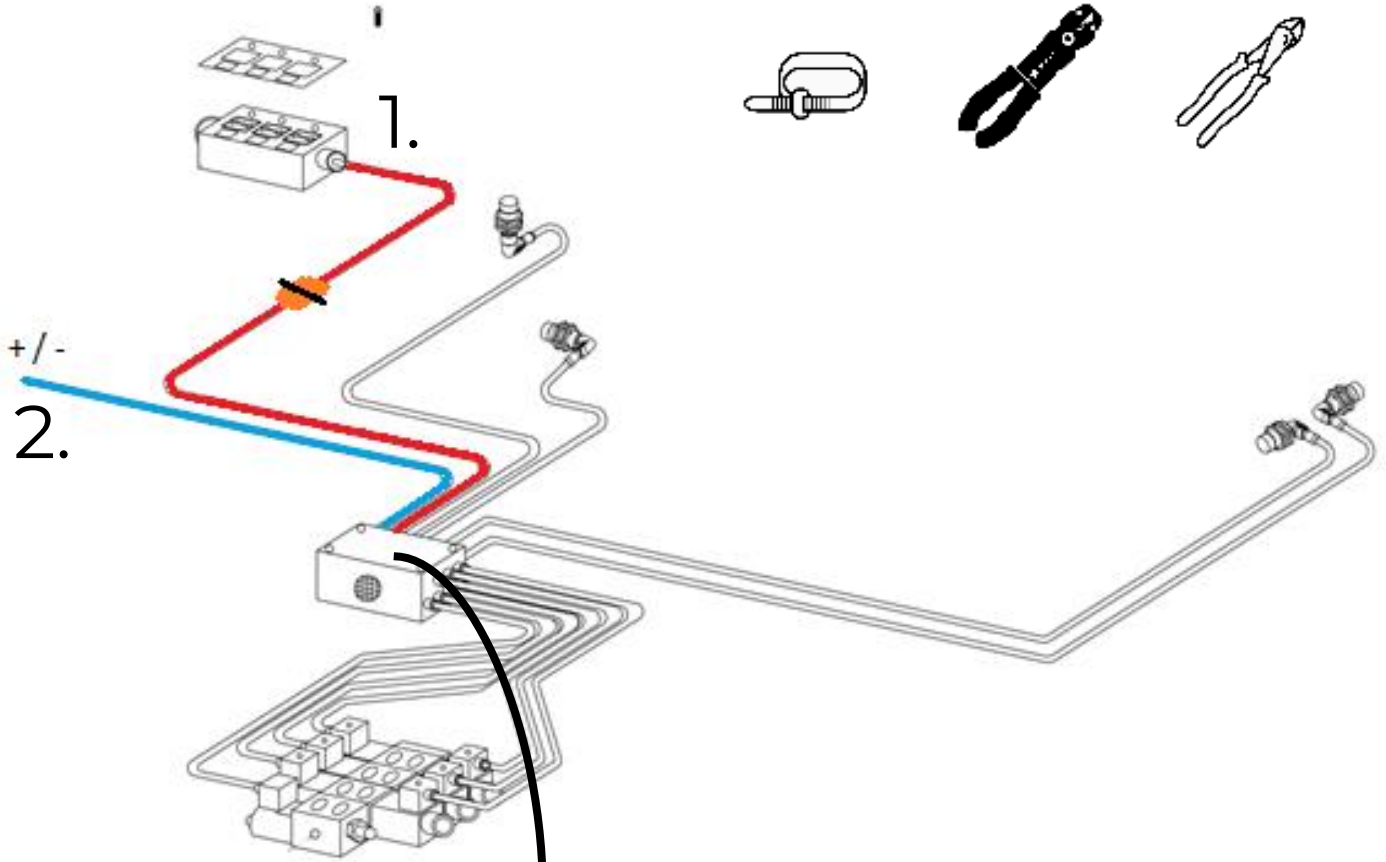
# TITAN CITY HOOKLOADER MERCEDES SPRINTER - INSTALLATION MANUAL



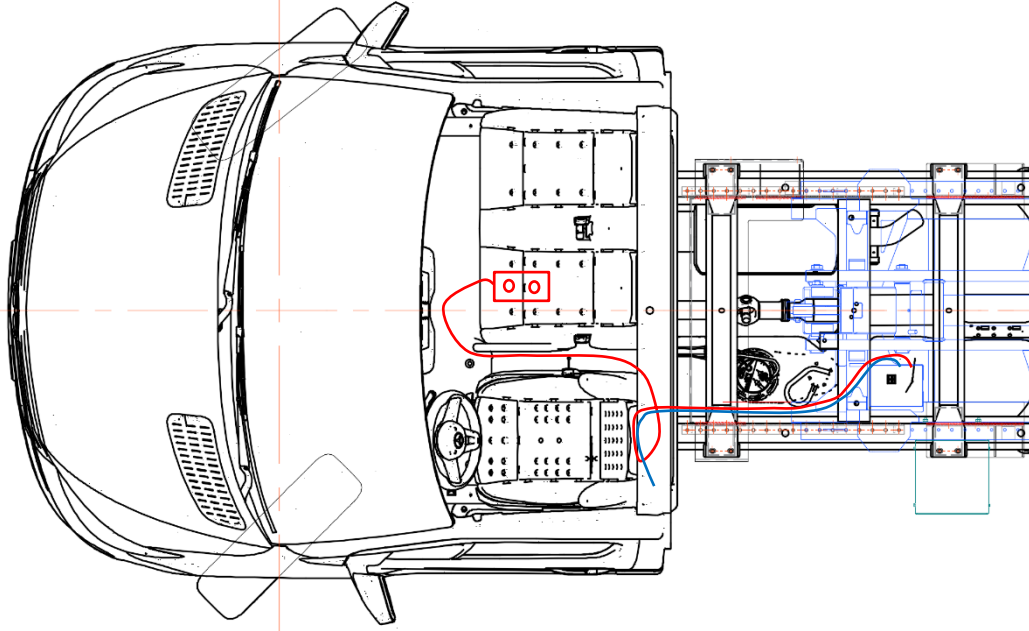
# TITAN CITY HOOKLOADER MERCEDES SPRINTER - INSTALLATION MANUAL

## 6. ELECTRICAL WIRING

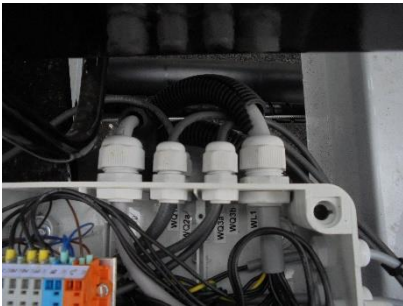
Tools:



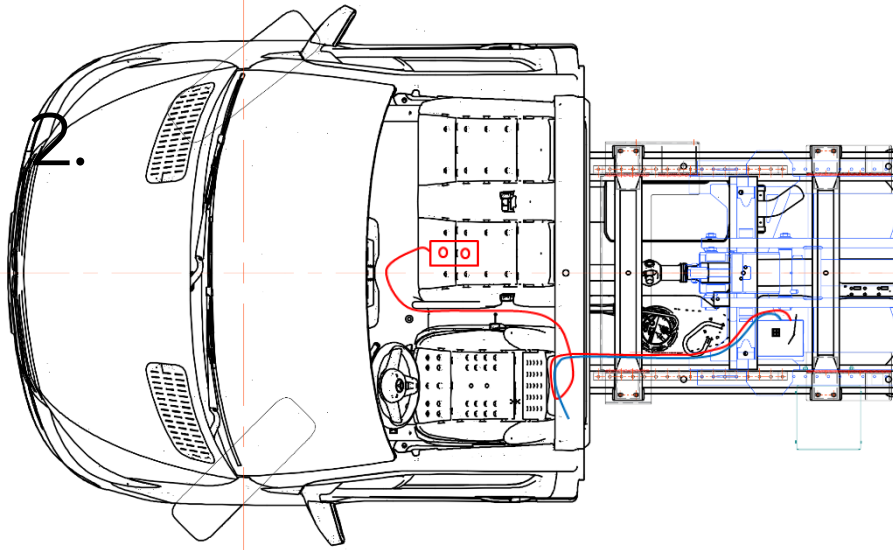
# TITAN CITY HOOKLOADER MERCEDES SPRINTER - INSTALLATION MANUAL



1.

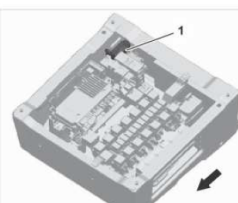


# TITAN CITY HOOKLOADER MERCEDES SPRINTER - INSTALLATION MANUAL



**PLAN MODULE ELECTRIQUE MERCEDES SPRINTER - BRAS T03-28K**


Le véhicule doit être équipé du code option EK1 permettant d'avoir la barette de raccordement



N04.15.2030-00

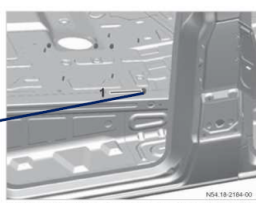
Position de la barette de raccordement EK1 dans le caisson de siège conducteur (véhicules avec direction à gauche)

1 Barette de raccordement EK1  
Flèche : Sens de la marche



N04.15.2030-00

Barette de raccordement EK1



N04.15.2164-00

Connexion à la masse cabine, caisse nue (exemple véhicules avec direction à gauche)

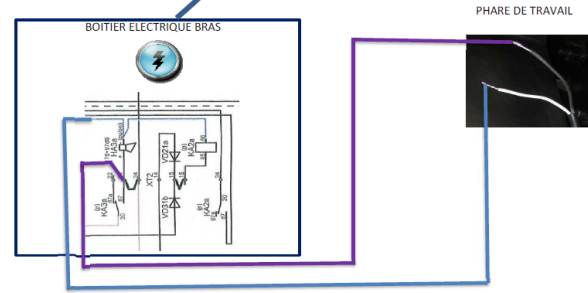
1 Boulons de masse

---

INTERIEUR VEHICULE

EXTERIEUR VEHICULE

UNIQUEMENT SI OPTION PHARE DE TRAVAIL



Type d'équipement principal:  
 Numéro de serie:  
 Distributeur:

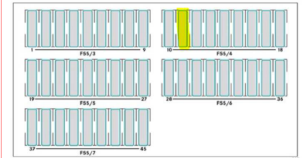
Type d'équipement secondaire:  
 Numéro de serie:  
 Distributeur:

Type de châssis:

Type de réservoir (+ volume):  
 Type de pompe:  
 Type de vanne 3 voies:  
 Type de sélecteur de circuit:

Date:

Remarques / Commentaires:  
**LE + APRES CONTACT EST PROTEGE PAR LE FUSIBLE N°11 DU PORTE FUSIBLE SOUS LE SIÈGE CONDUCTEUR**



\* See for details HYVA LIFT ITEM mounting instruction document: Hyva Lift Mounting and fitting instructions Boförbe Høkkloader-4 (2015-06).pdf

\* VIEWS, DIMENSIONS & WEIGHTS ARE INDICATIVE SUBJECT TO CHANGE WITHOUT NOTICE

NORMENSYMBOLS ACCORDING TO ISO UNLESS OTHERWISE STATED. COPYRIGHT © 2014

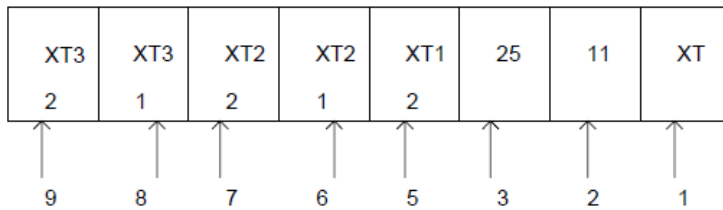
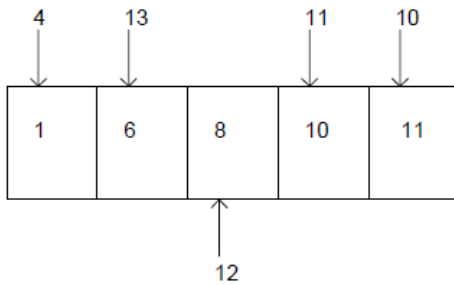
SHARP & PLATE TOLERANCES ISO 1101  
 TOLERANCES ISO 1101 ±0.1 FOR DIMENSION >0.4  
 ROUGHNESS ISO 1302 REMOVE SHARP EDGES.

|                  |                   |                    |
|------------------|-------------------|--------------------|
| REVISION: 1.00   | DESCRIPTION: 1.00 | PRODUCTION DRAWING |
| DATE: 2014-02-18 | MASS: 1.00        |                    |
| DESCRIPTION: ... |                   |                    |

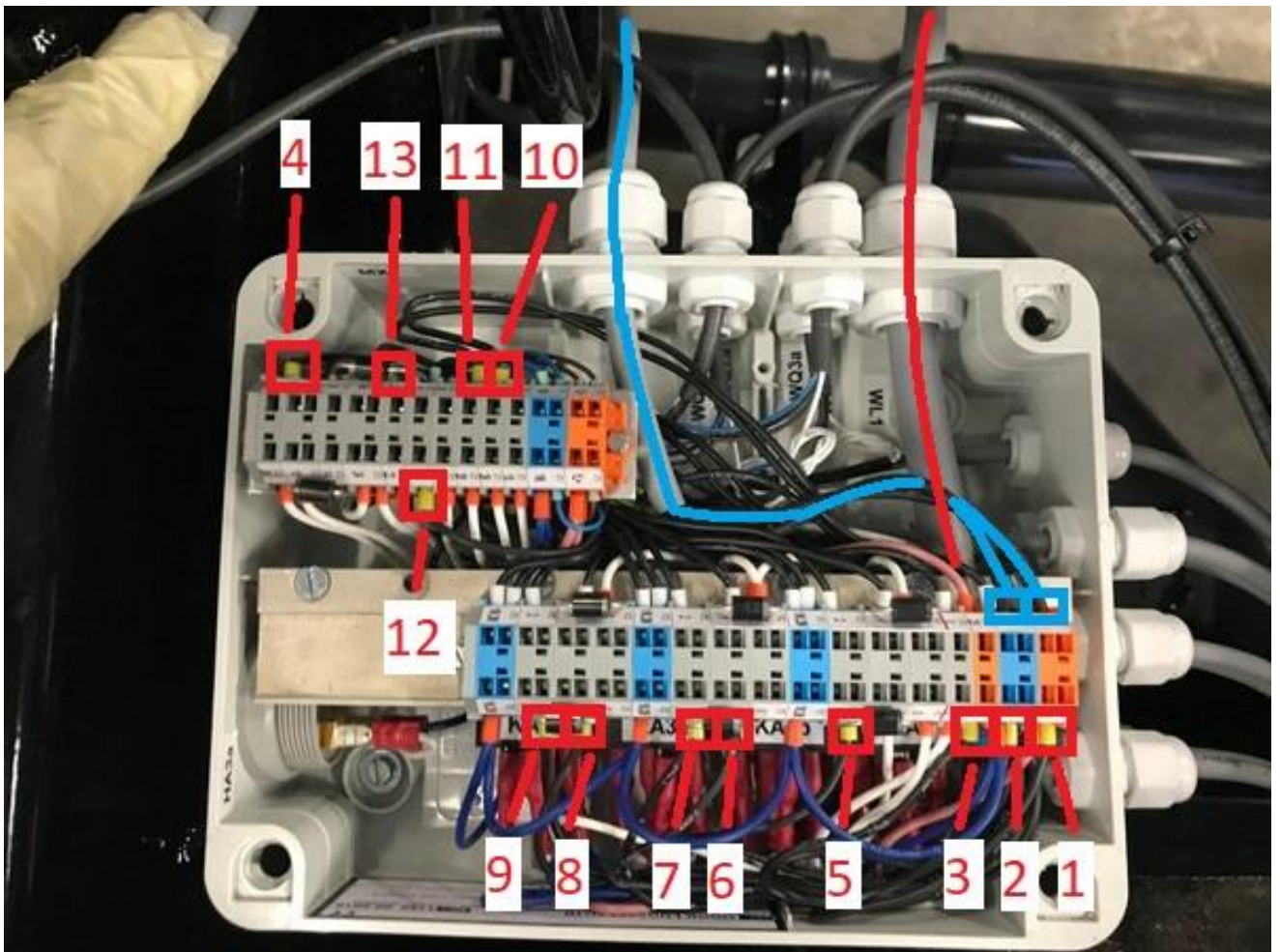
PRODUCTION: HYVA  
 MATERIAL: STAINLESS  
 PRODUCT: Hook Loader GROUP: ...

NUMBER SHEET 11/1 REV. 20... A

# TITAN CITY HOOKLOADER MERCEDES SPRINTER - INSTALLATION MANUAL






| Wire | Socket  |
|------|---------|
| 1    | XT      |
| 2    | 11      |
| 3    | 25      |
| 4    | 1       |
| 5    | XT1 (2) |
| 6    | XT2 (1) |
| 7    | XT2 (2) |
| 8    | XT3 (1) |
| 9    | XT3 (2) |
| 10   | 11      |
| 11   | 10      |
| 12   | 12      |
| 13   | 6       |

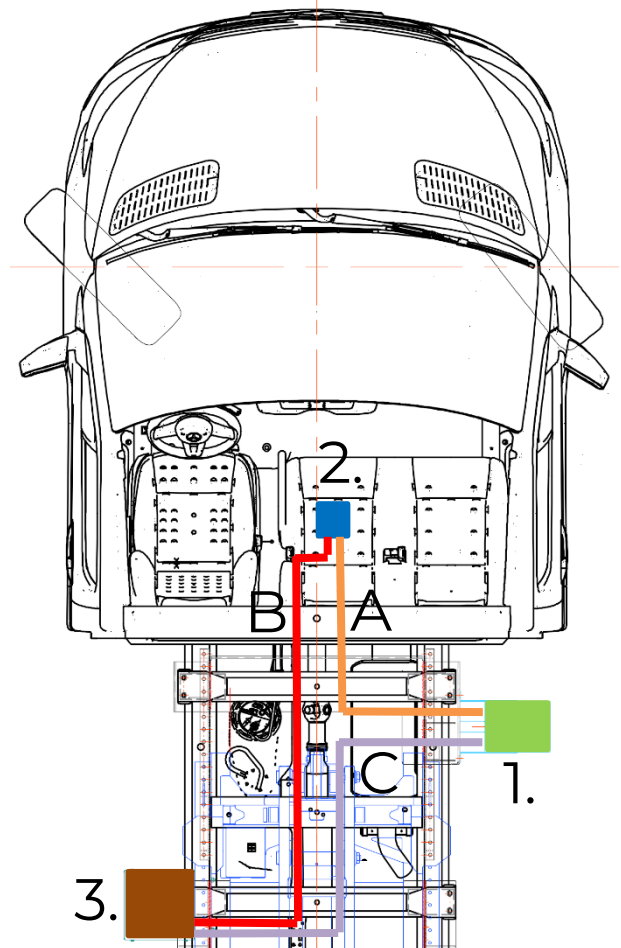
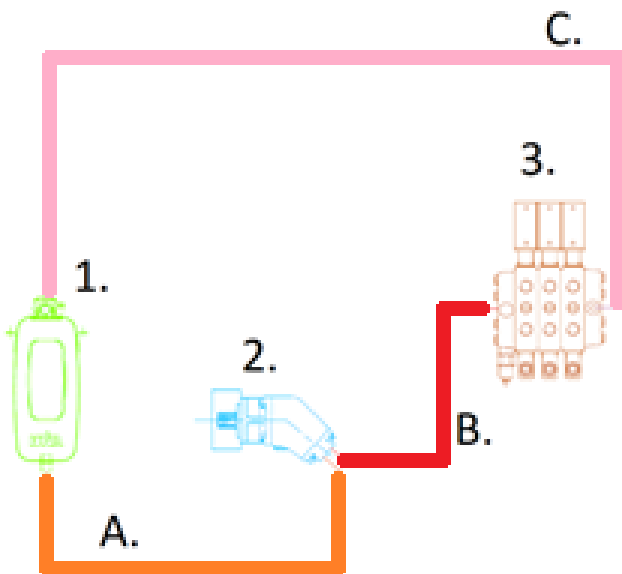


# TITAN CITY HOOKLOADER MERCEDES SPRINTER - INSTALLATION MANUAL

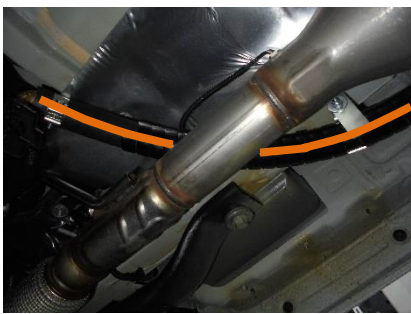
## 7. HYDRAULICS

-  = Low pressure hose
-  = High pressure hose
-  = Retour hose

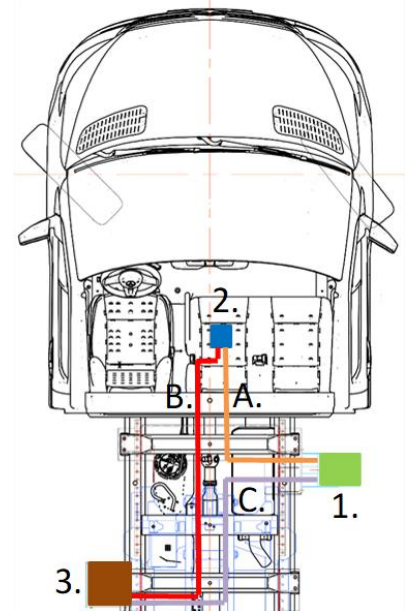
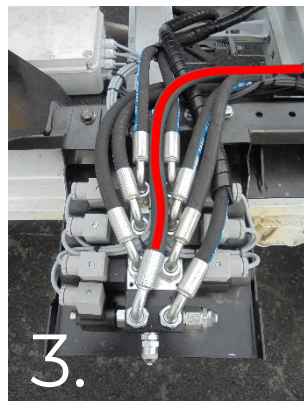
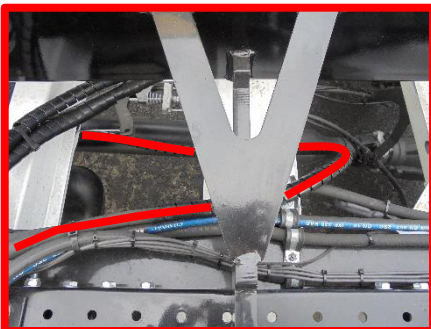
### Tools & parts (not supplied)



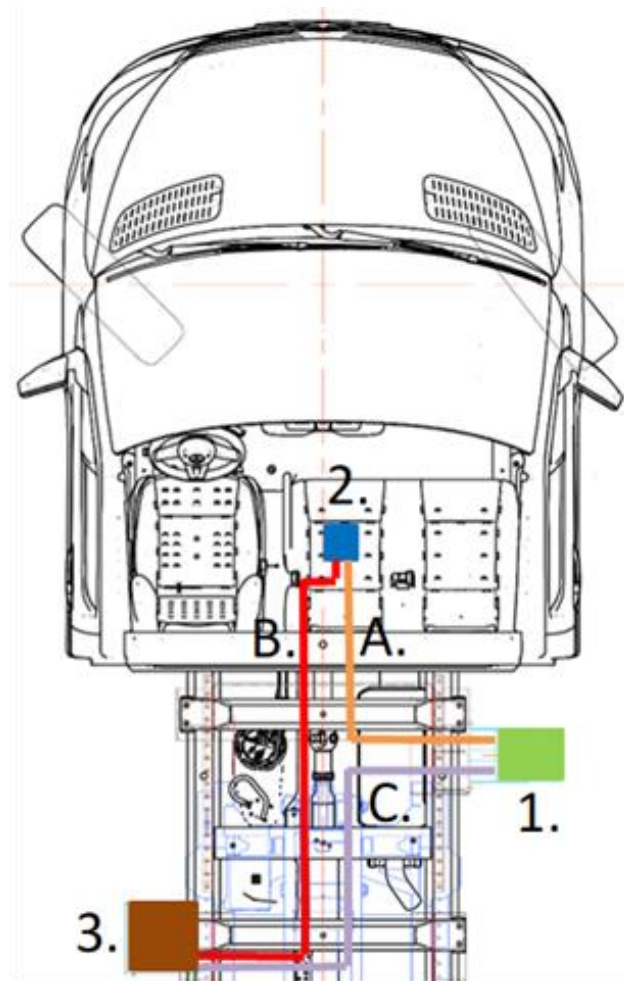
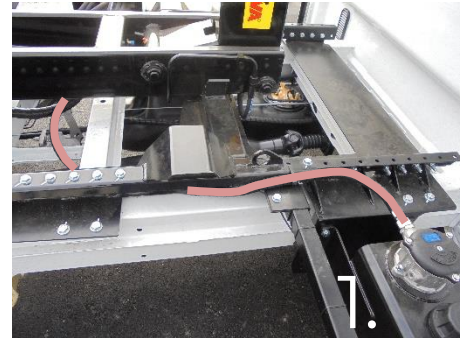
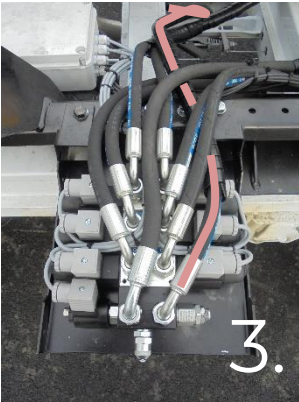
# TITAN CITY HOOKLOADER MERCEDES SPRINTER - INSTALLATION MANUAL



Mercedes parts (pinion, spring, pin) will be fitted on a pump or on the 3/4 holes



# TITAN CITY HOOKLOADER MERCEDES SPRINTER - INSTALLATION MANUAL





# TITAN CITY HOOKLOADER MERCEDES SPRINTER - INSTALLATION MANUAL

## 7.1 Mounting oil tank

Tools & parts (not supplied)



M10



M10X30



M10



17



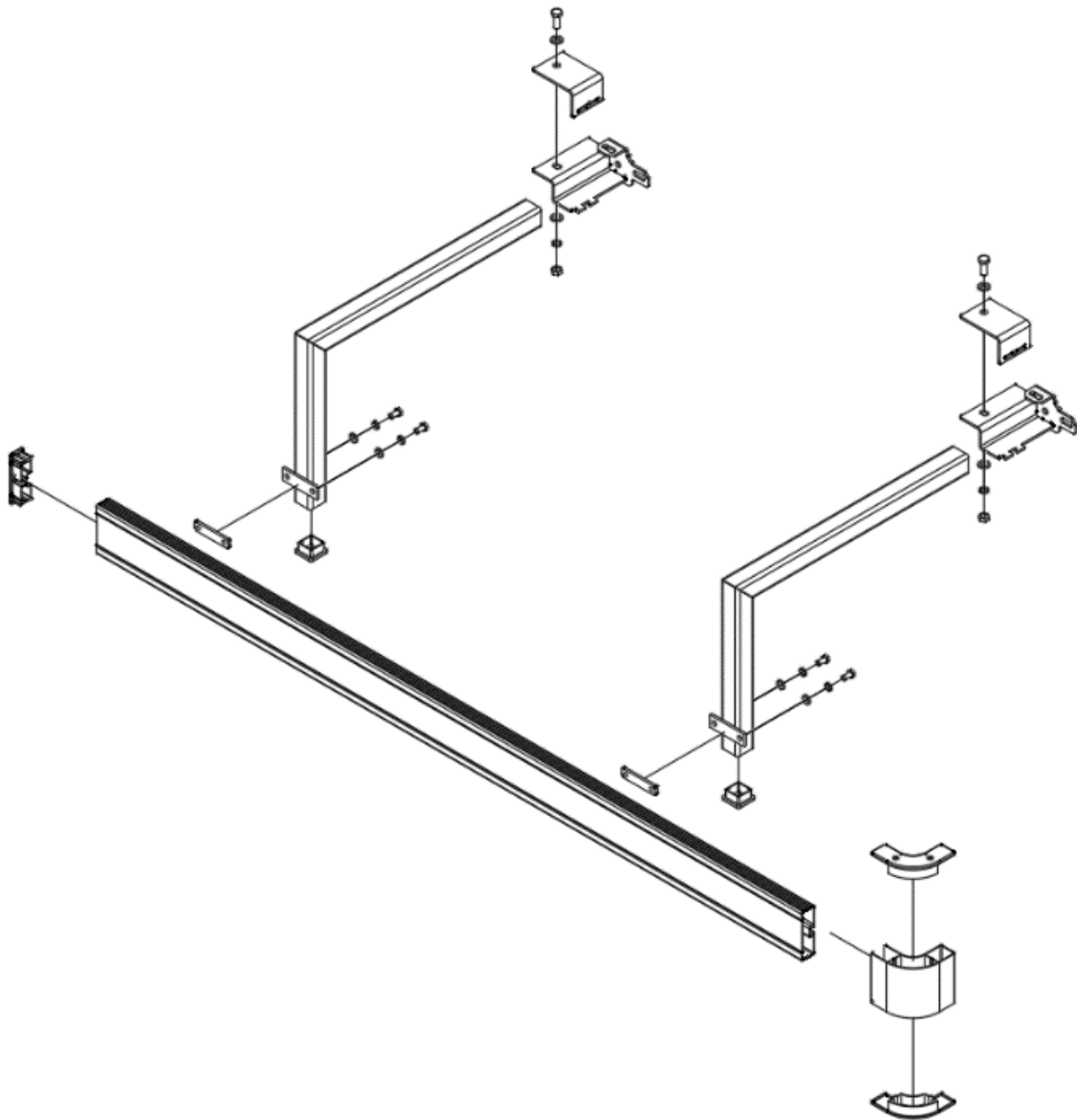
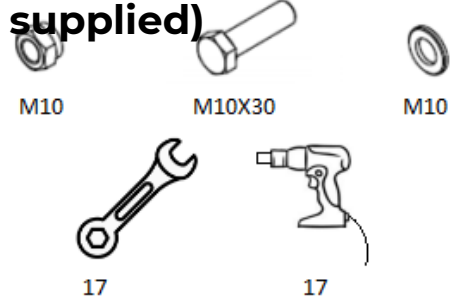
17



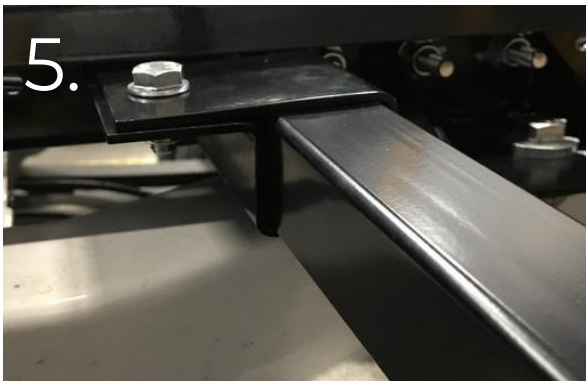
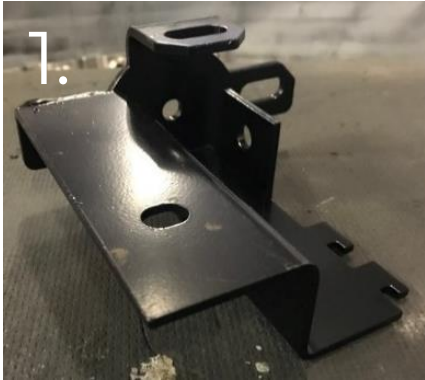
# TITAN CITY HOOKLOADER MERCEDES SPRINTER - INSTALLATION MANUAL

## 8. MOUNTING OF SIDE PROTECTION

Tools & parts (not supplied)



# TITAN CITY HOOKLOADER MERCEDES SPRINTER - INSTALLATION MANUAL



# TITAN CITY HOOKLOADER MERCEDES SPRINTER - INSTALLATION MANUAL

## 9. MOUNTING OF MUDGUARDS

Tools & parts (not supplied)



M10



M10X30



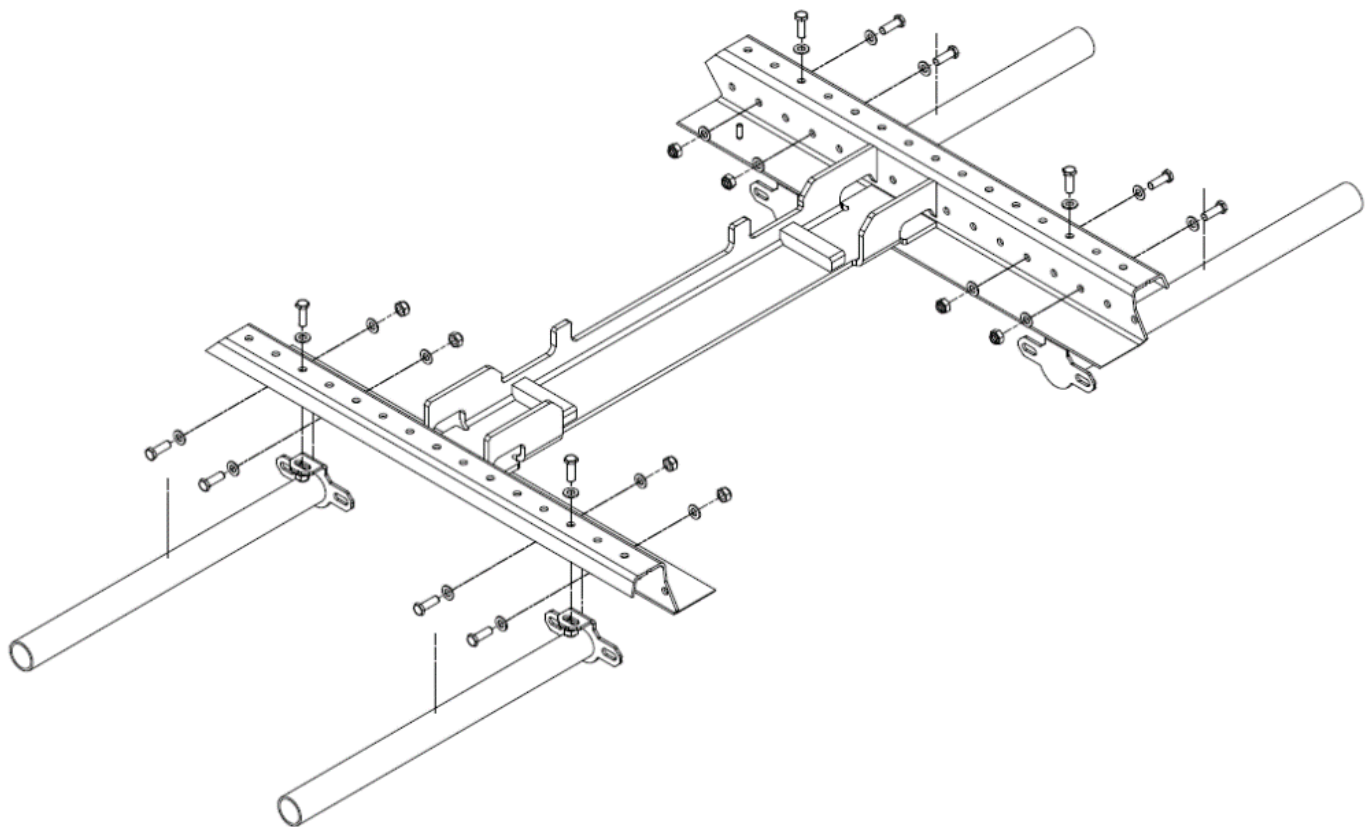
M10



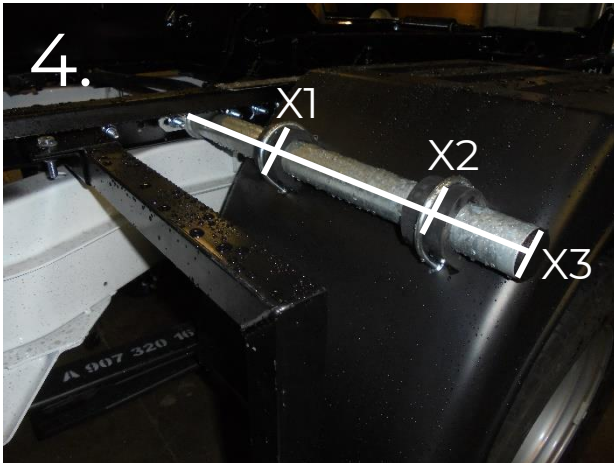
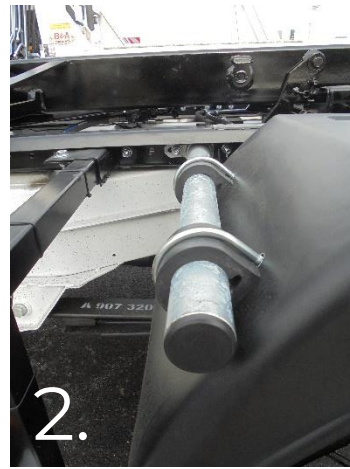
17



17



# TITAN CITY HOOKLOADER MERCEDES SPRINTER - INSTALLATION MANUAL



**X1 =  
230mm  
X2 =**





# TITAN CITY HOOKLOADER MERCEDES SPRINTER - INSTALLATION MANUAL

## APPENDIX