



INSTALLATION MANUAL

CONTENTS

1.	SAFETY	3
2.	GENERAL POSITIONING OF CITY HOOKLOADER.....	5
3.	OVERVIEW OF CITY HOOKLOADER	6
4.	Mounting rear bumper	7
5.	MOUNTING CHASSIS BRACKETS	8
6.	MOUNTING OF SUBFRAME	10
7.	ELECTRICAL WIRING.....	12
8.	HYDRAULICS.....	17
	8.1 MOUNTING OIL TANK	20
9.	MOUNTING OF SIDE PROTECTION.....	21
10.	MOUNTING OF MUDGUARDS.....	23
	Appendix A1: TITAN CITY Hydraulic diagram T3, 5 – xx – K	25
	Appendix B1: TITAN CITY electric diagram T3, 5 – XX – K.....	26

1. SAFETY

Precaution:

Read and understand the safety instructions before operating a hookloader. Also familiarize oneself with the operators' manual.



Precaution:

Wear protective gear when working with a hookloader or truck chassis.



Precaution:

Carefully check your surroundings before starting an operation.



Precaution:

Always follow the truck manufacturers guidelines when working with the truck chassis.



Precaution:

Always follow the safety requirements posted in the workshop to avoid risk of injury.



Highly dangerous:

Standing beneath a hanging container, in reach of moving parts, or besides a tipped hookloader.



Highly dangerous:

Maintaining the system with the key in the ignition, in tipped position without a jig, or while the system is carrying a container.



Highly dangerous:

Bystanders and passers-by standing behind the system or within reach of moving parts.



Highly dangerous:

Tipping with heavy winds (grade 5 or higher on the Beaufort scale).



Highly dangerous:

Before operating check the area for high voltage cables. Storms can cause electrical discharge from the hookloader.



Warning:

Never lock any of the operating levers or buttons.



Warning:

Do not operate while stationed on a soft surface.

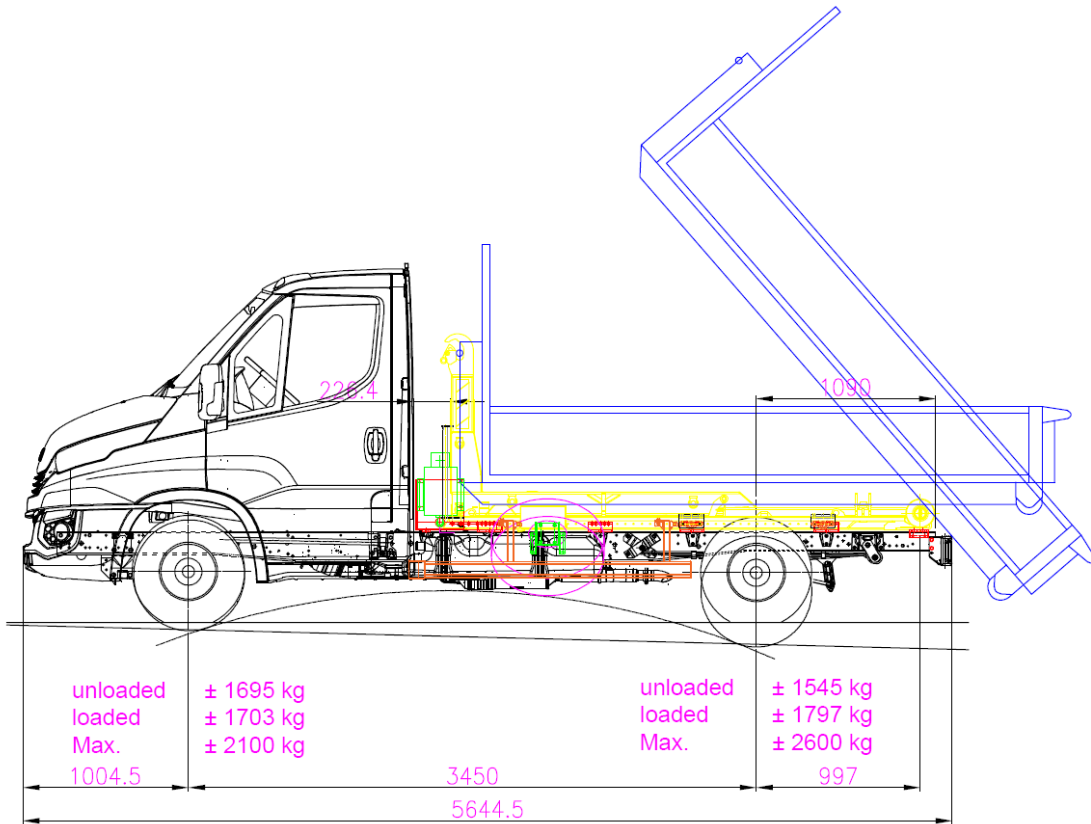


Caution:

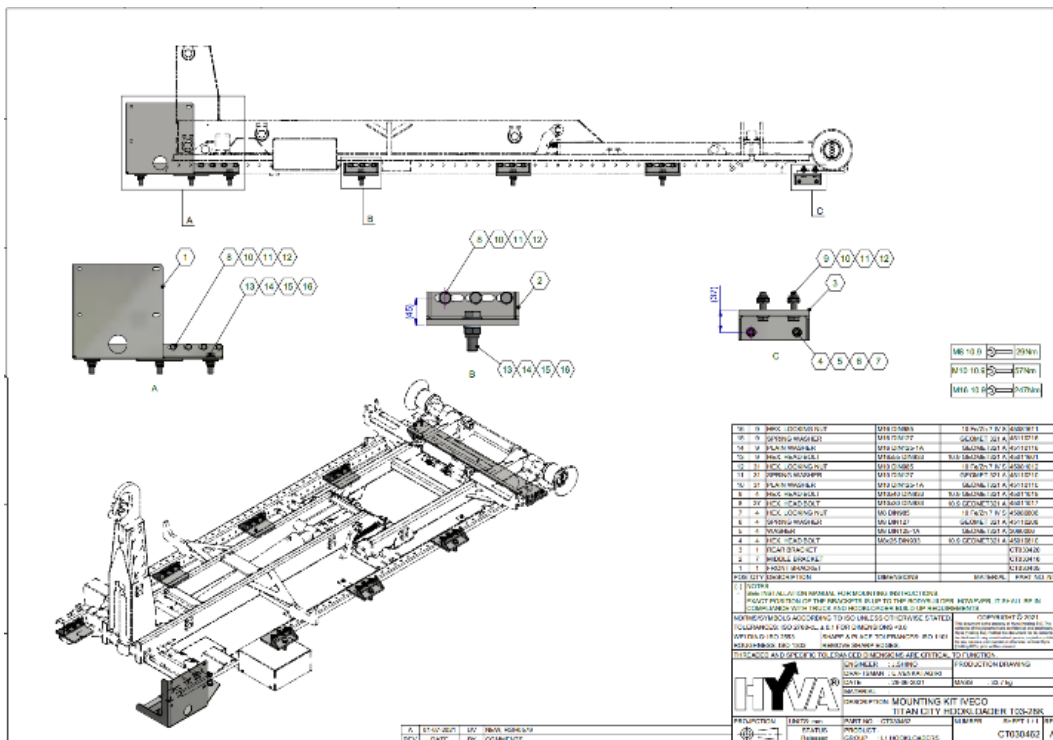
Do not lift a container without checking the lifting attachments.



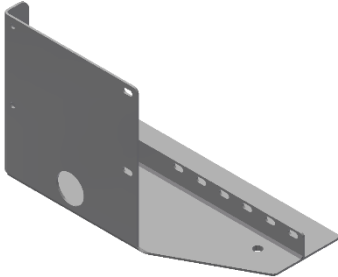
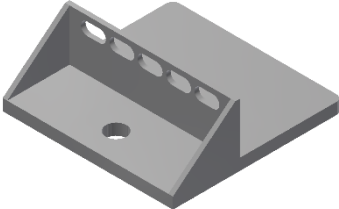
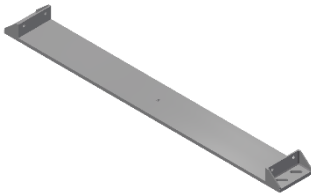
2. GENERAL POSITIONING OF CITY HOOKLOADER

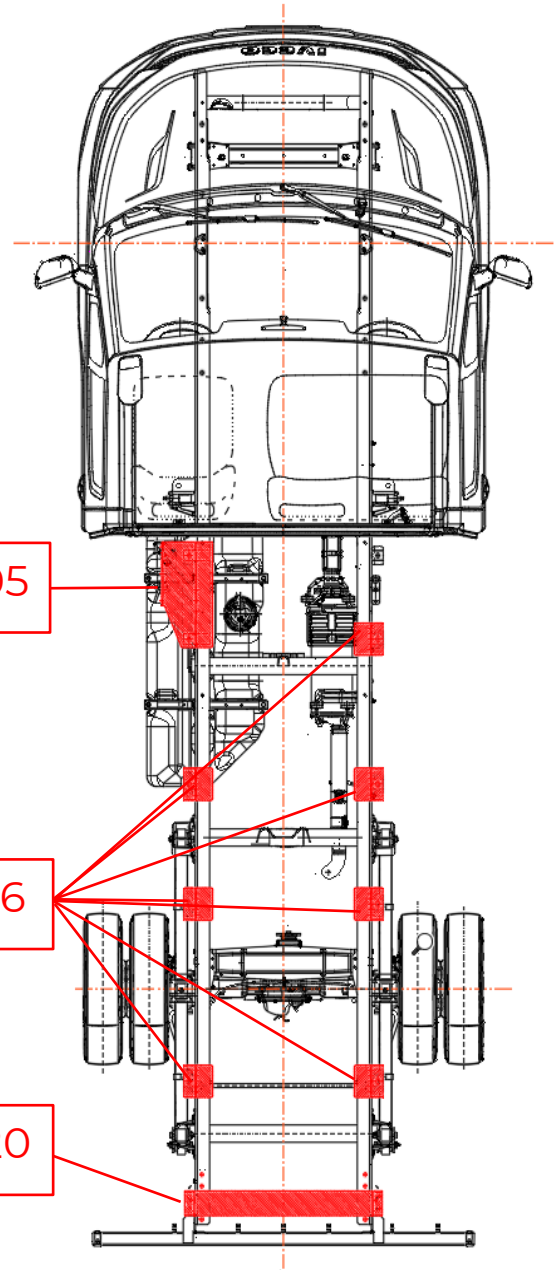


Iveco	Daily 35C18H	WB 3450	GVW 3500 kg	Single cab
-------	--------------	---------	-------------	------------



3. OVERVIEW OF CITY HOOKLOADER

3D BRACKETS	
CT030405 (x1)	
CT030416 (x7)	
CT030420 (x1)	



Tools:



17-22



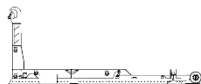
17



M10 = 54 Nm
M14 = 218 Nm

Other Parts supplied with Mounting Kit

M10



8.8

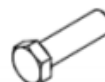
M14



10.9



M10
M14



M10X30
M14X30



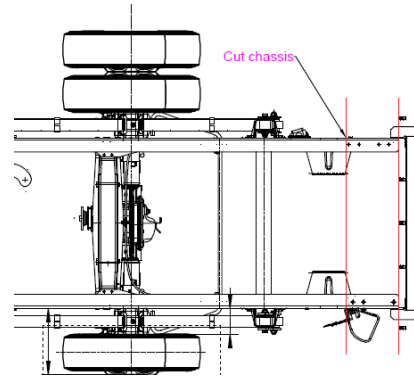
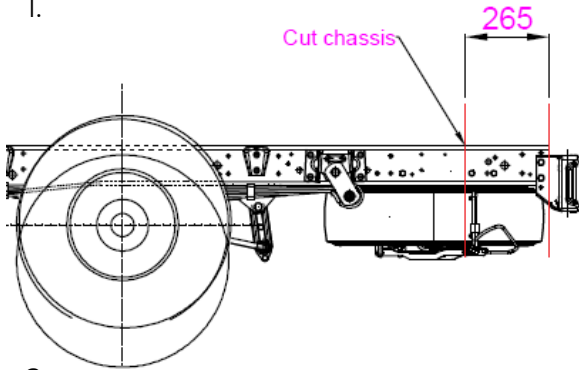
M10
M14



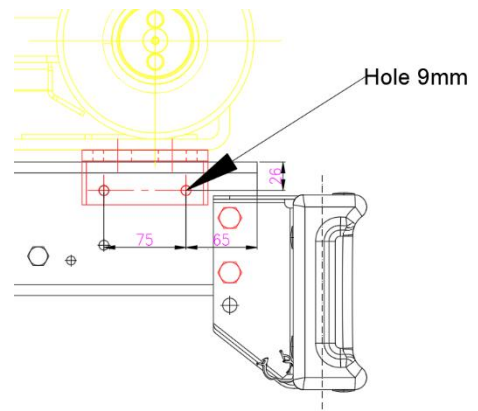
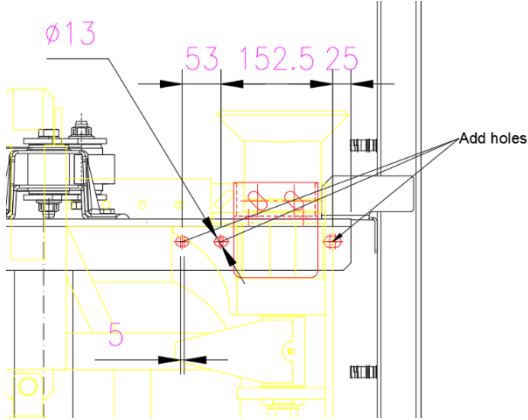
M10
M14

4. MOUNTING REAR BUMPER

1.



2.



3.

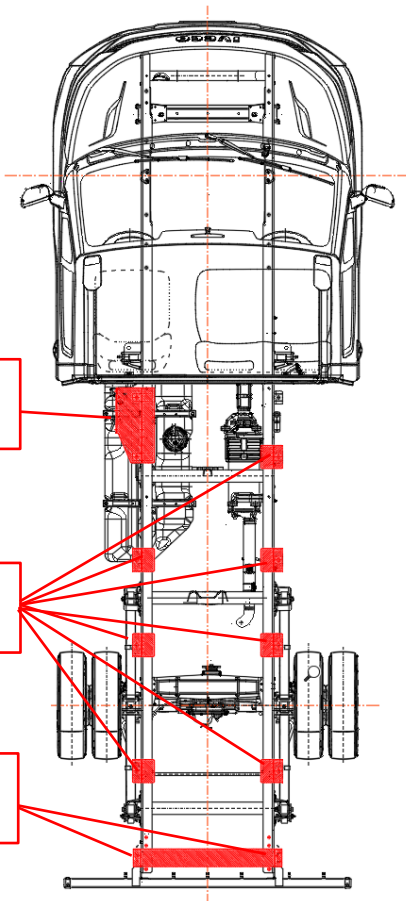


4.



5. MOUNTING CHASSIS BRACKETS





CT030405

CT030416

CT030420

Brackets
CT030405
(x1)



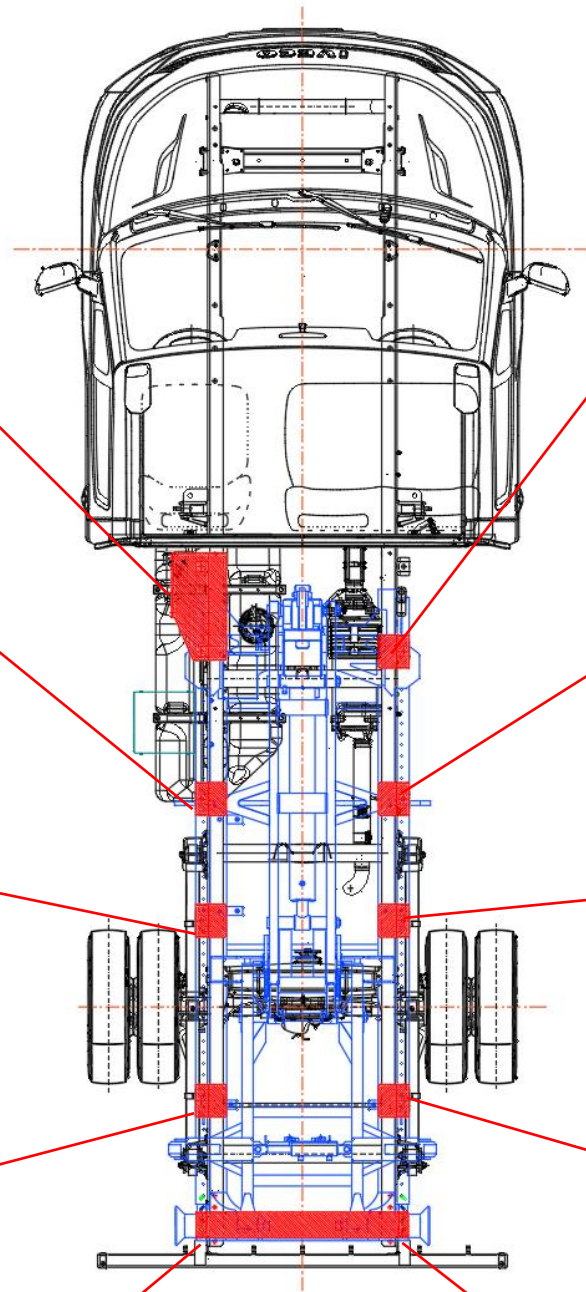
CT030416
(x7)



CT030420
(x1)



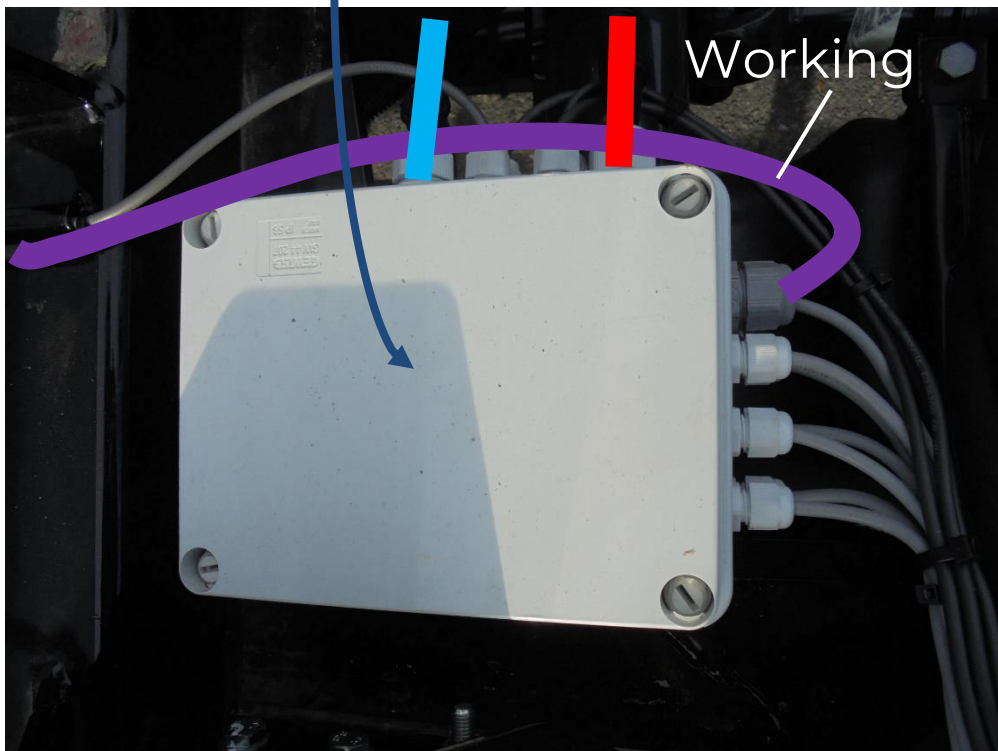
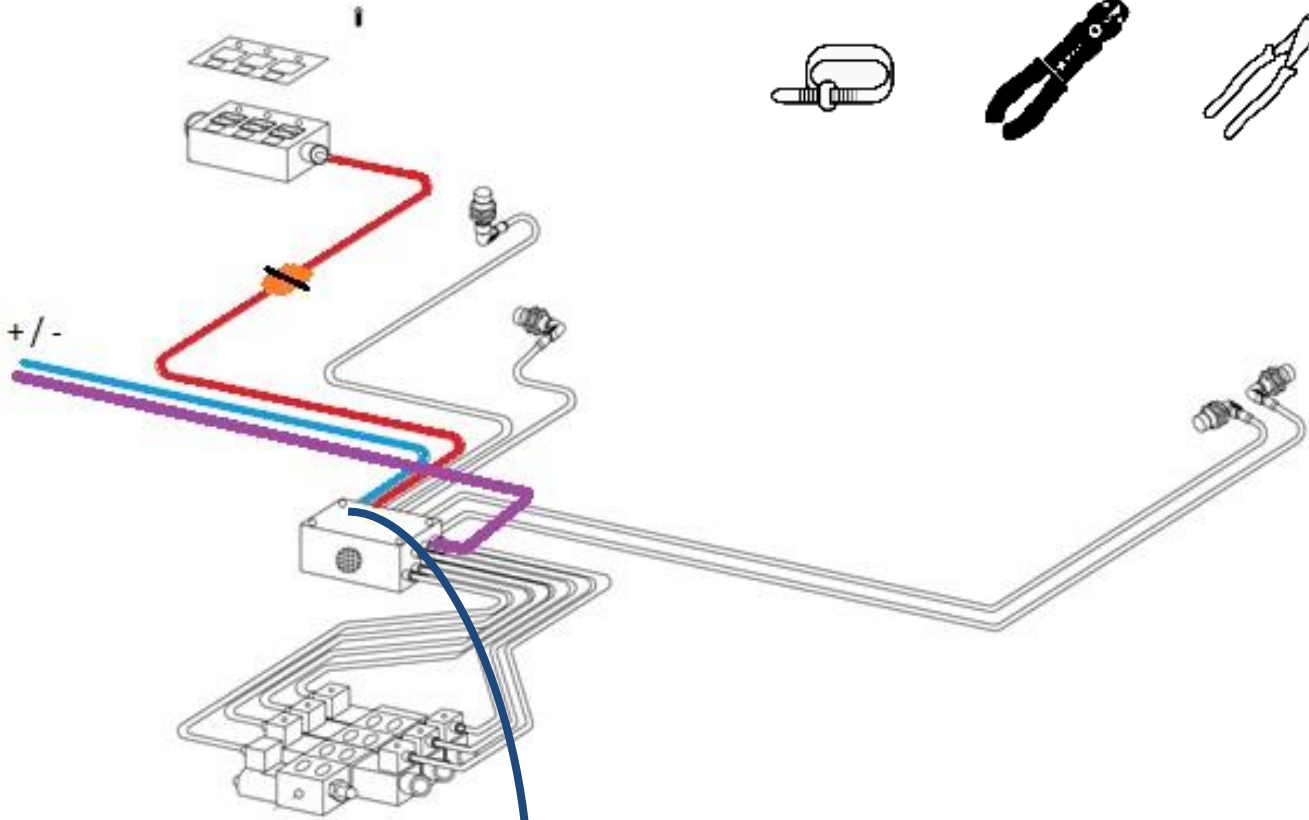
6. MOUNTING OF SUBFRAME



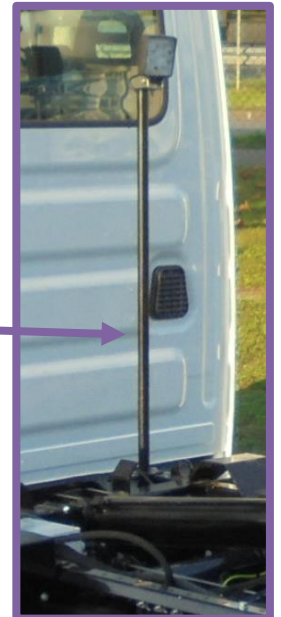
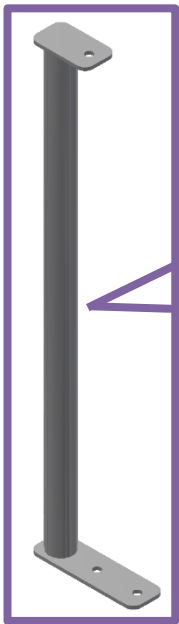
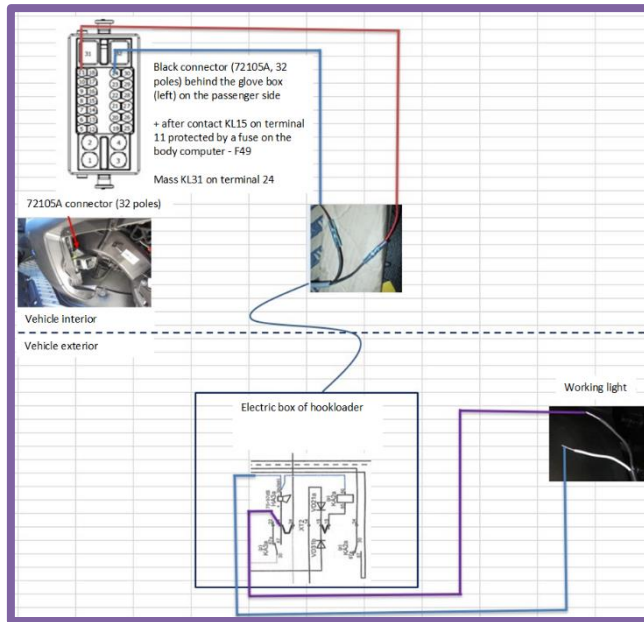


7. ELECTRICAL WIRING

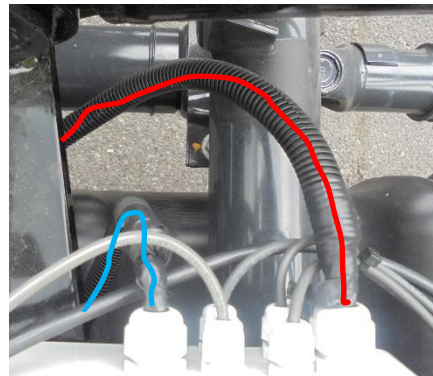
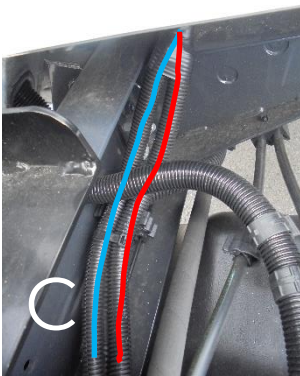
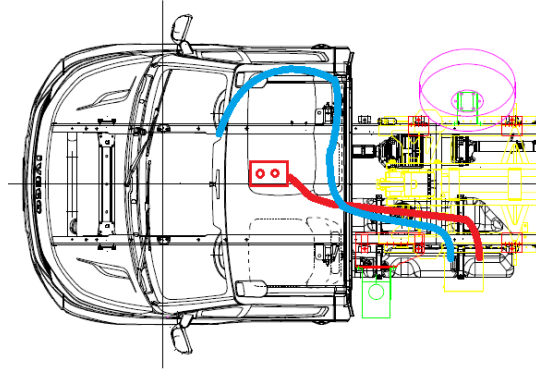
Tools:



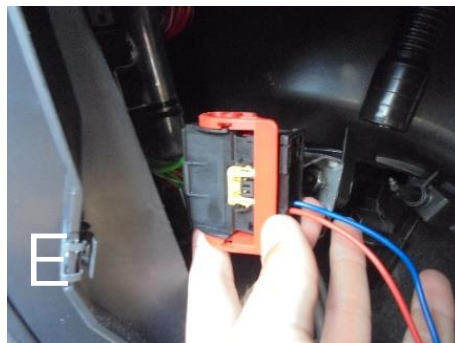
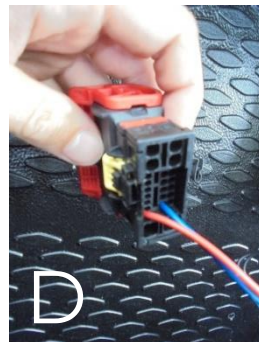
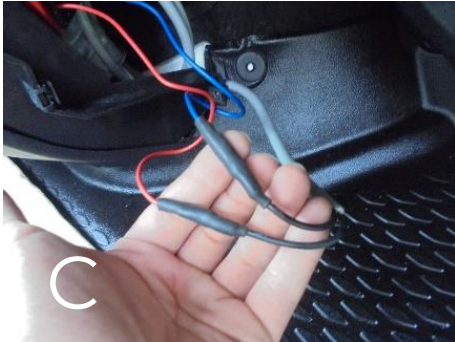
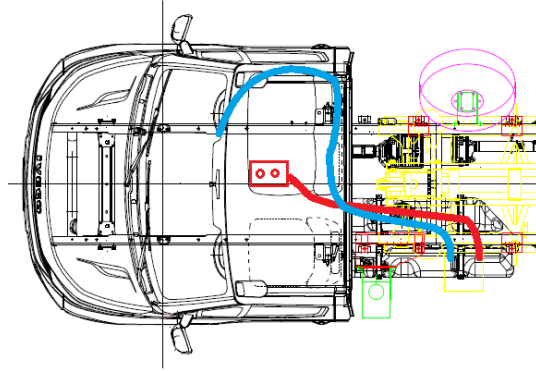
Working light



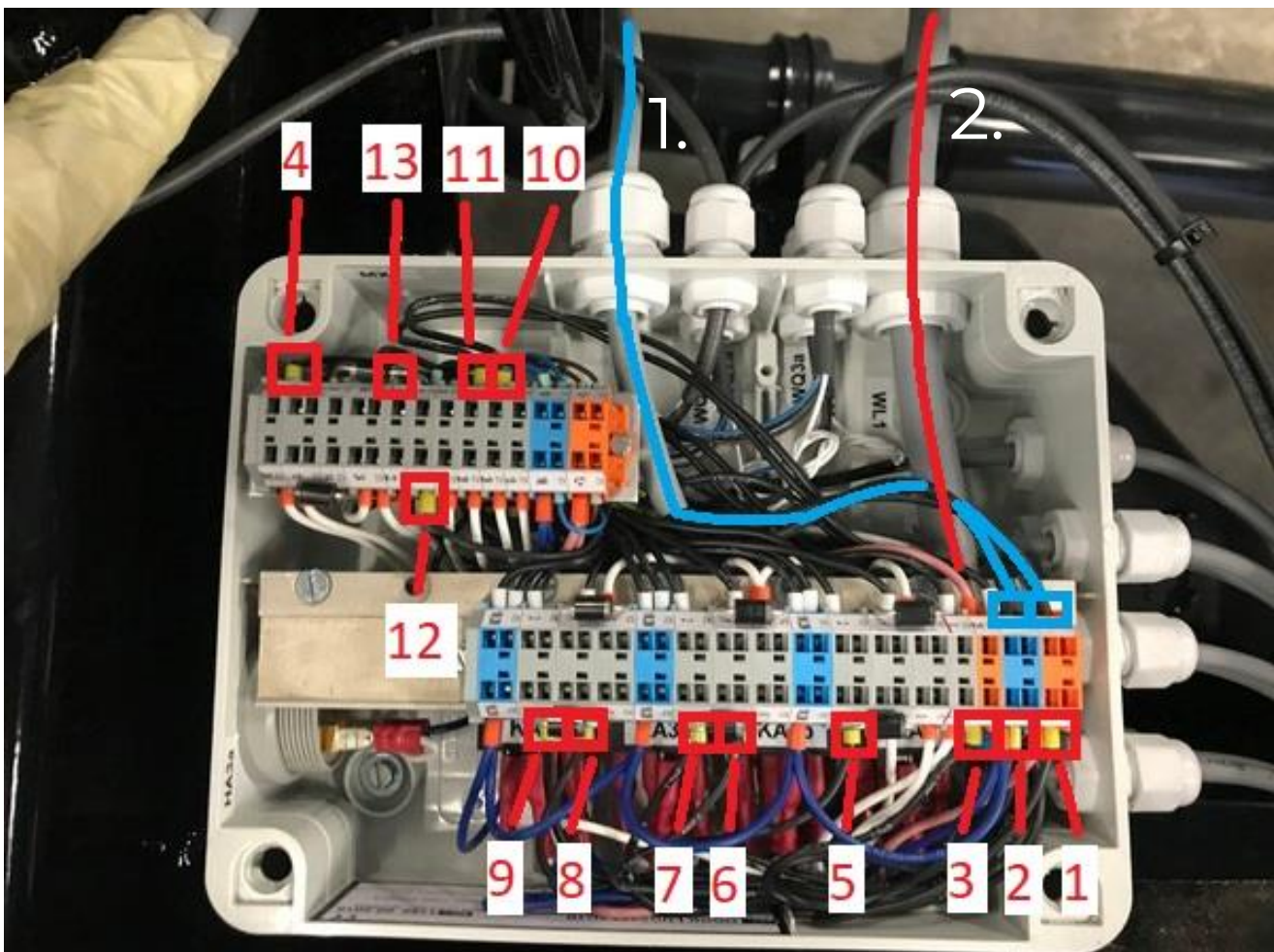
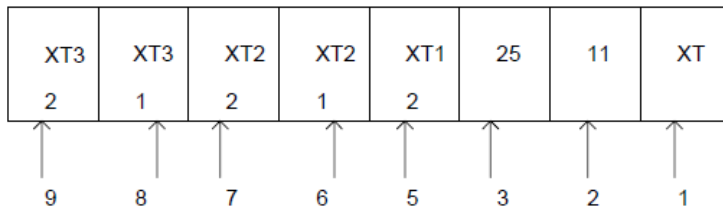
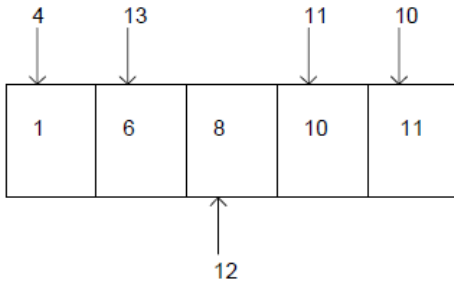
1.






2.



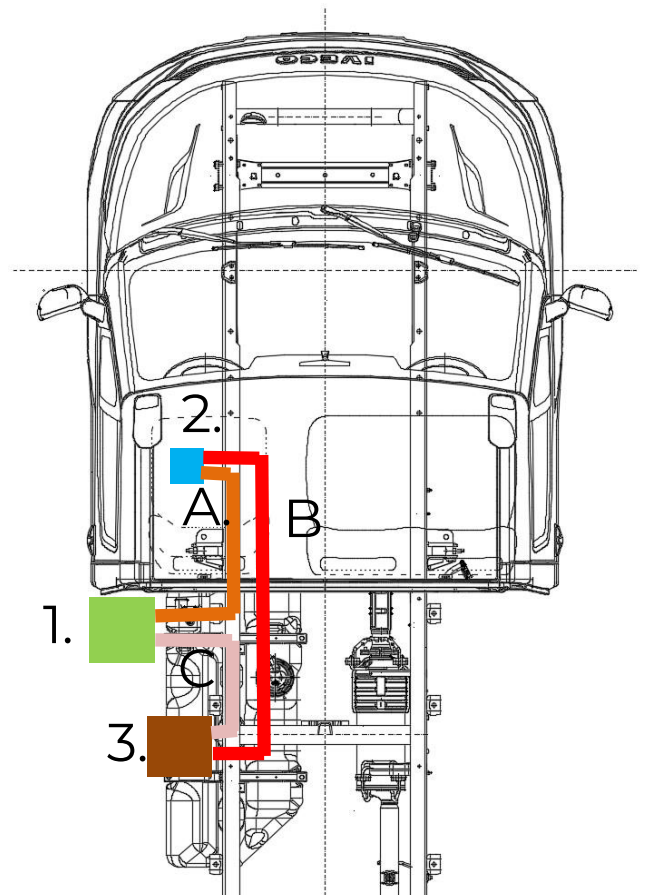
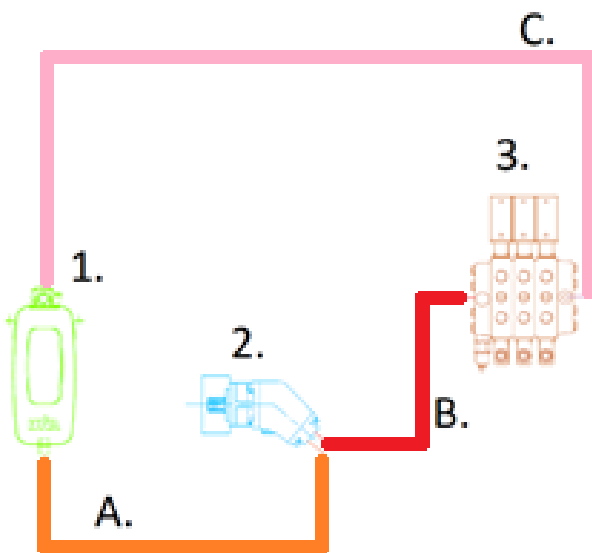
Wire	Socket
1	XT
2	11
3	25
4	1
5	XT1 (2)
6	XT2 (1)
7	XT2 (2)
8	XT3 (1)
9	XT3 (2)
10	11
11	10
12	12
13	6

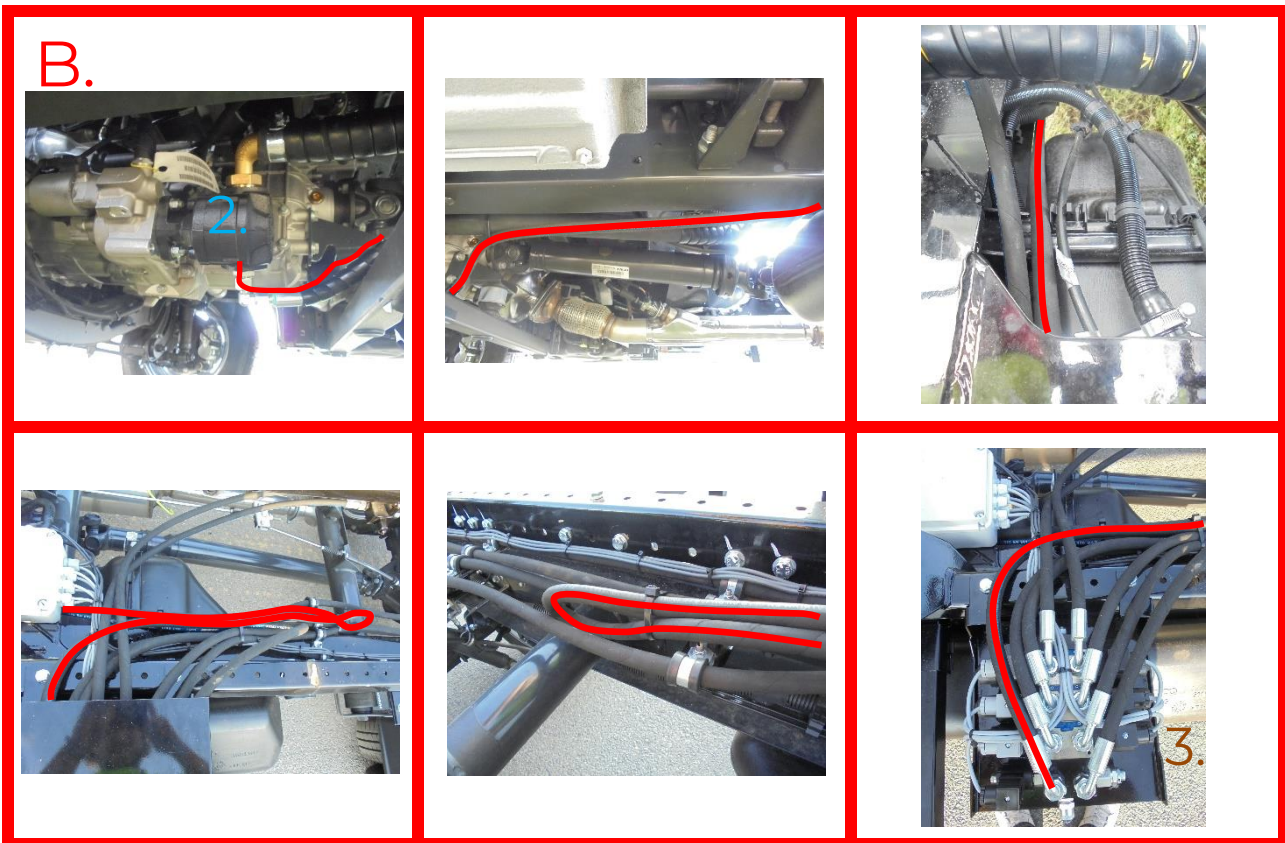
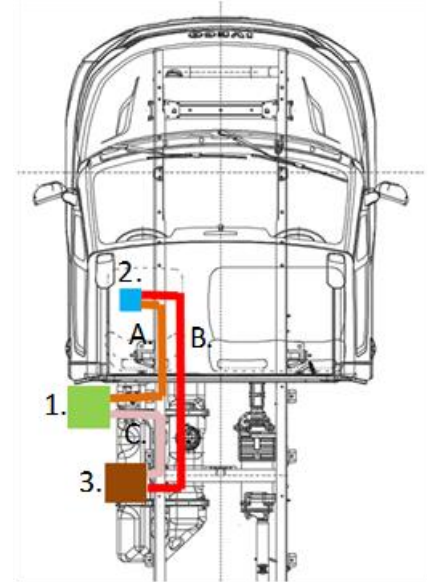
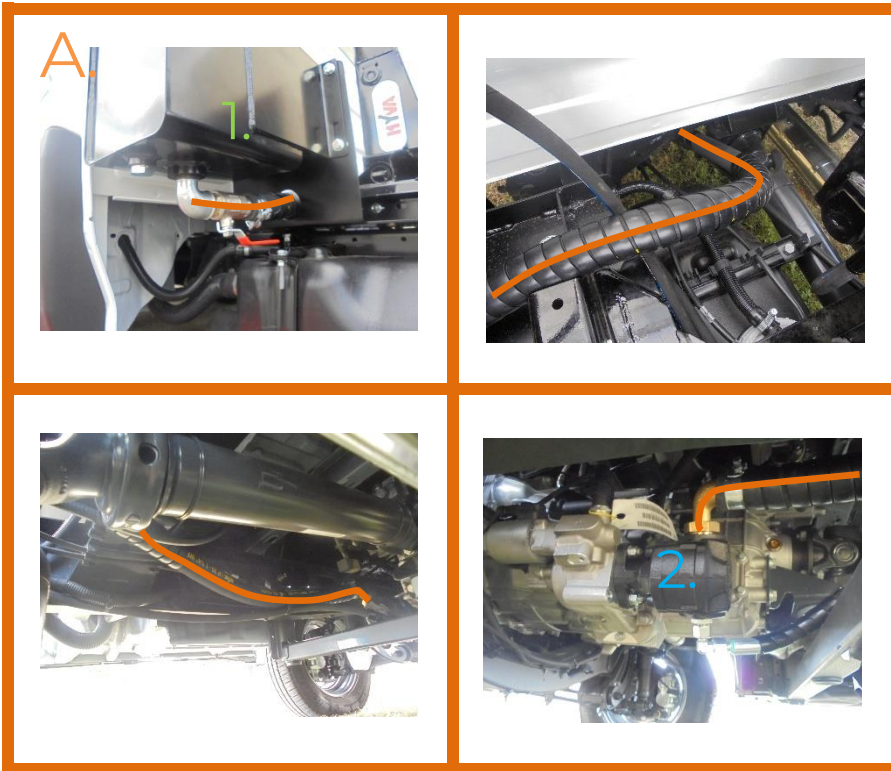


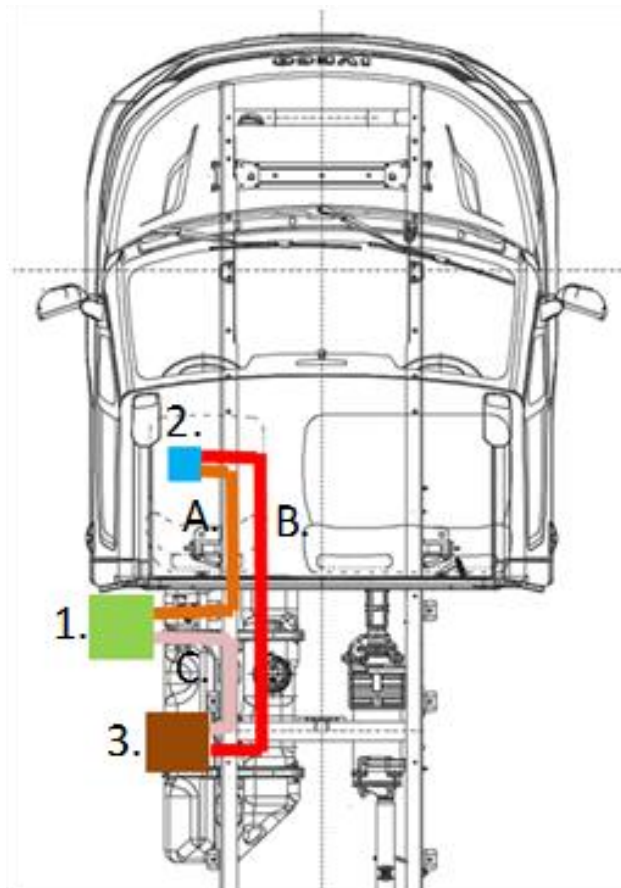
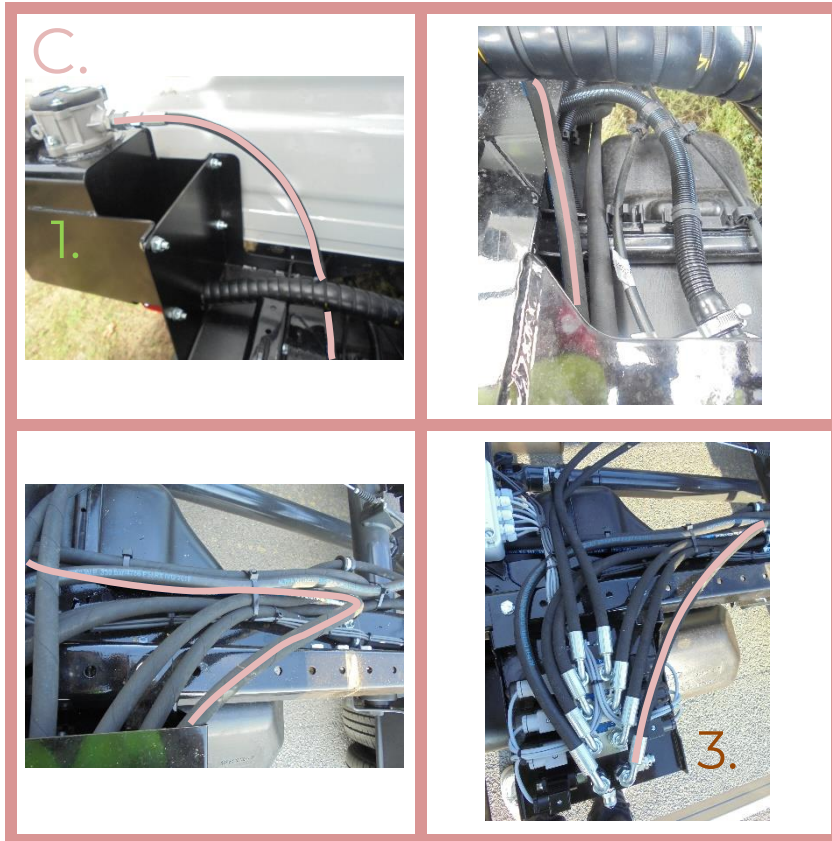
8. HYDRAULICS

-  = Low pressure hose
-  = High pressure hose
-  = Retour hose

Tools & parts (not supplied)







8.1 MOUNTING OIL TANK

Tools & parts (not supplied)



M10



M10X30



M10



17



17



9. MOUNTING OF SIDE PROTECTION

Tools & parts (not supplied)



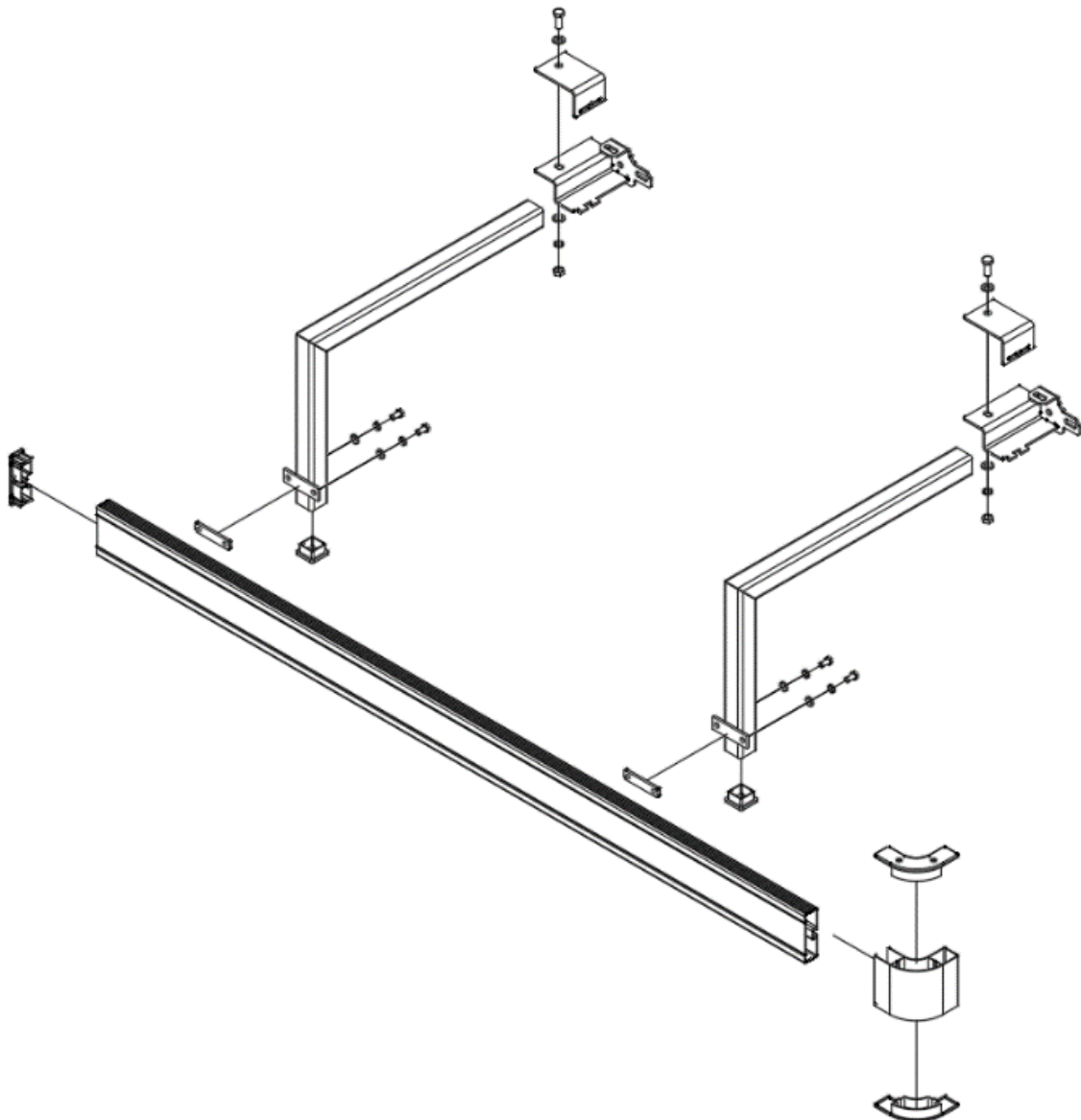
M10

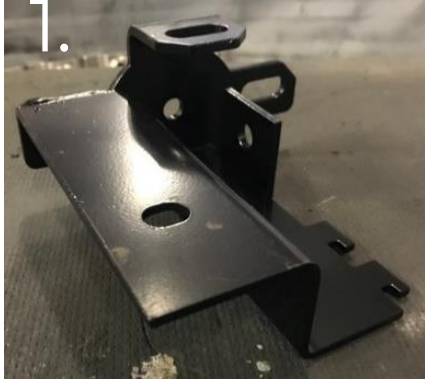


M10X30



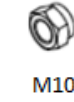
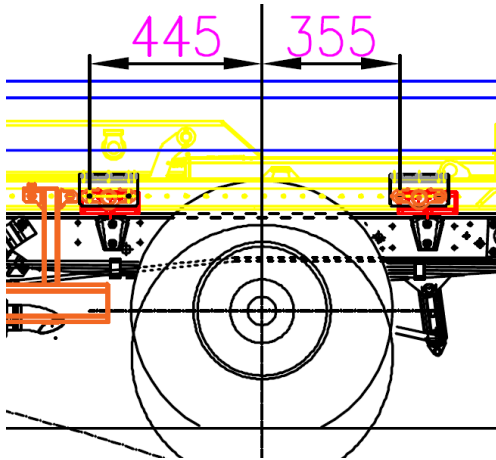
M10





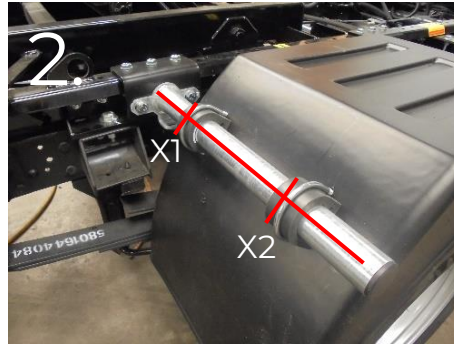
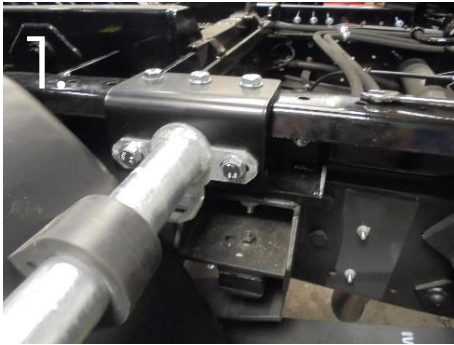
10. MOUNTING OF MUDGUARDS

Tools & parts (not supplied)

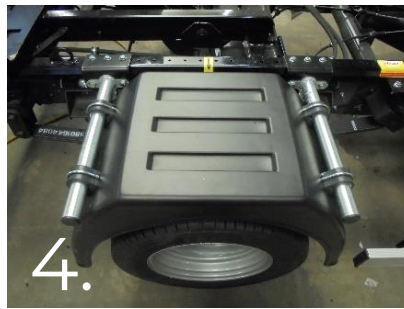




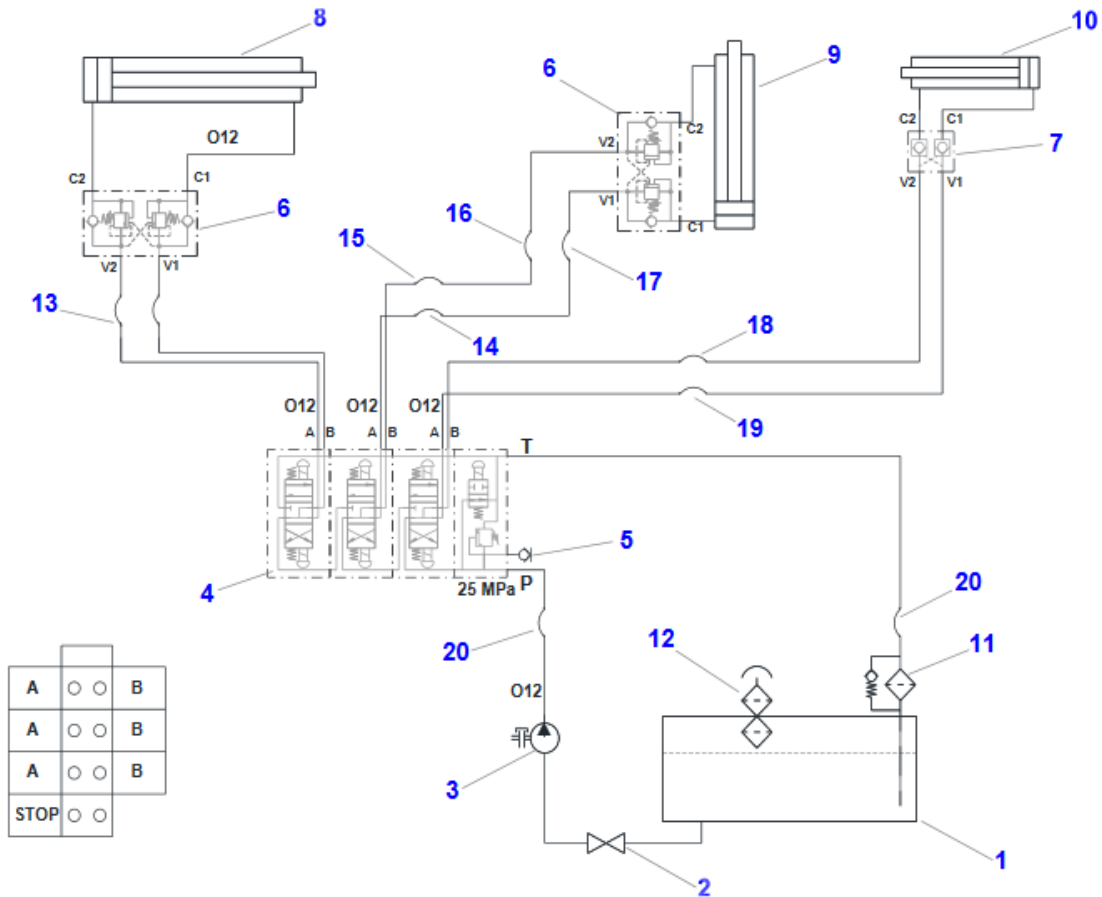
Length of mudguards supports reduce of



**X1 = 140mm
X2 = 380mm**



APPENDIX A1: TITAN CITY HYDRAULIC DIAGRAM T3, 5 – XX – K



#	Description
1	Oil tank
2	Ball valve
3	Pump
4	Main valve block
5	Manometer connection point
6	Double pilot operated check valve + overcenter
7	Double pilot operated check valve
8	Main function cylinder
9	Knuckle cylinder
10	Locking cylinder
11	Return filter
12	Filler cap
13 -	Hydraulic hose
20	

APPENDIX B1: TITAN CITY ELECTRIC DIAGRAM T3, 5 - XX - K

