



# INSTALLATION MANUAL

## CONTENTS

1. SAFETY.....	3
2. GENERAL POSITIONING OF CITY HOOKLOADER.....	5
3. OVERVIEW OF CITY HOOKLOADER .....	6
4. MOUNTING CHASSIS BRACKETS .....	7
5. MOUNTING OF SUBFRAME .....	8
6. ELECTRICAL WIRING.....	10
7. HYDRAULICS.....	13
7.1 Mounting oil tank.....	16
8. MOUNTING OF SIDE PROTECTION .....	17
9. MOUNTING OF MUDGUARDS.....	19
Appendix A1: TITAN CITY Hydraulic diagram T3, 5 – xx – K .....	21
Appendix B1: TITAN CITY electric diagram T3, 5 – XX – K.....	22

## 1. SAFETY

---

**Precaution:**

Read and understand the safety instructions before operating a hookloader. Also familiarize oneself with the operators' manual.



**Precaution:**

Wear protective gear when working with a hookloader or truck chassis.



**Precaution:**

Carefully check your surroundings before starting an operation.



**Precaution:**

Always follow the truck manufacturers guidelines when working with the truck chassis.



**Precaution:**

Always follow the safety requirements posted in the workshop to avoid risk of injury.



**Highly dangerous:**

Standing beneath a hanging container, in reach of moving parts, or besides a tipped hookloader.



**Highly dangerous:**

Maintaining the system with the key in the ignition, in tipped position without a jig, or while the system is carrying a container.



**Highly dangerous:**

Bystanders and passers-by standing behind the system or within reach of moving parts.



**Highly dangerous:**

Tipping with heavy winds (grade 5 or higher on the Beaufort scale).



**Highly dangerous:**

Before operating check the area for high voltage cables. Storms can cause electrical discharge from the hookloader.



**Warning:**

Never lock any of the operating levers or buttons.



**Warning:**

Do not operate while stationed on a soft surface.

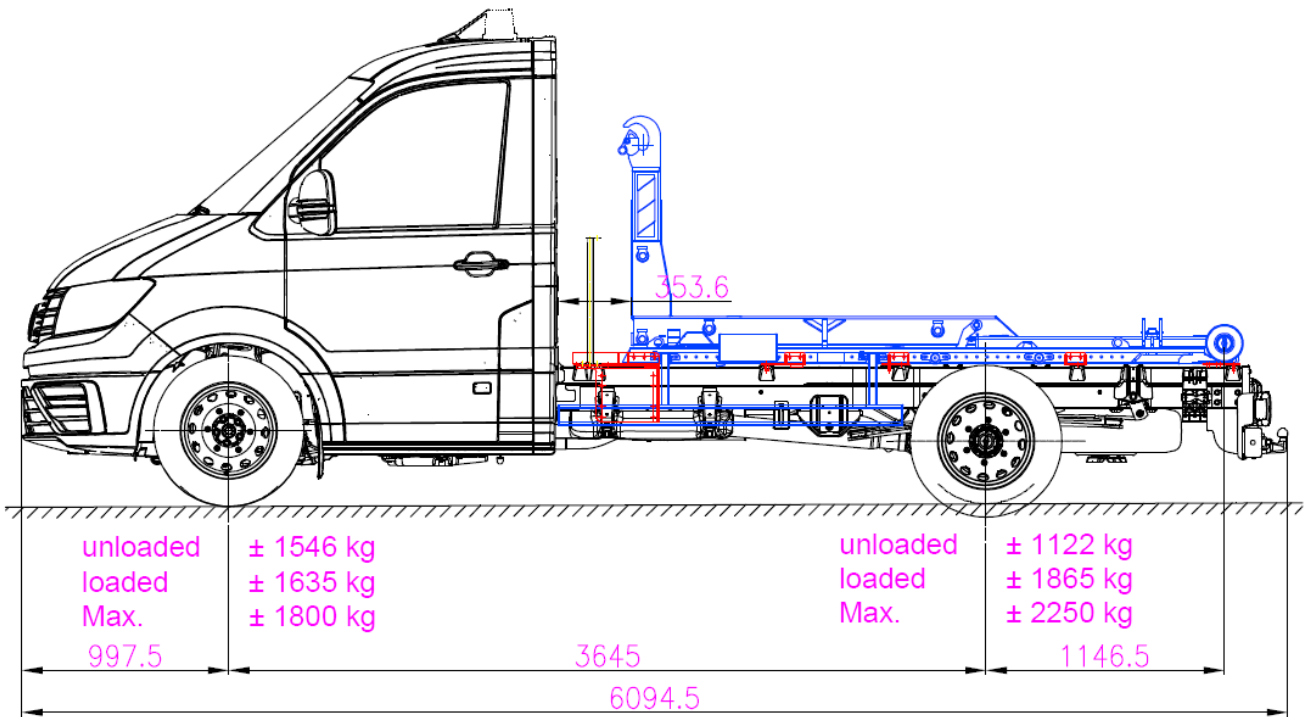


**Caution:**

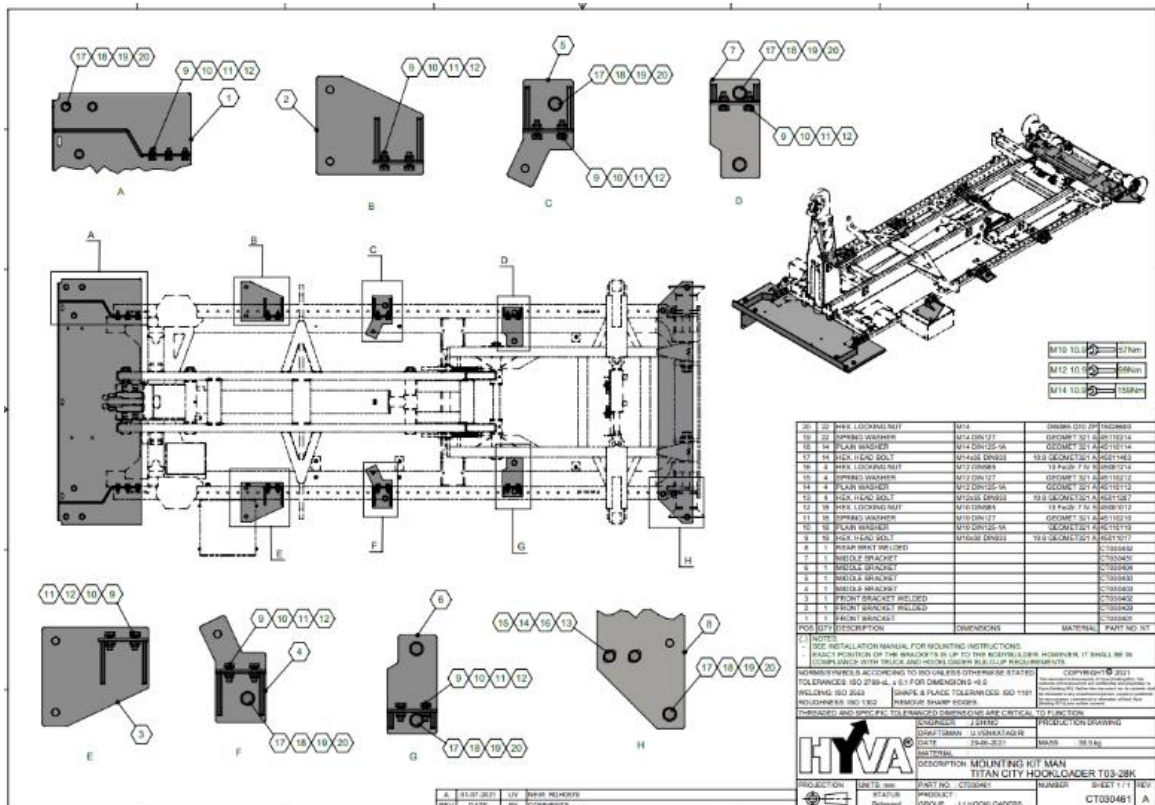
Do not lift a container without checking the lifting attachments.



## 2. GENERAL POSITIONING OF CITY HOOKLOADER

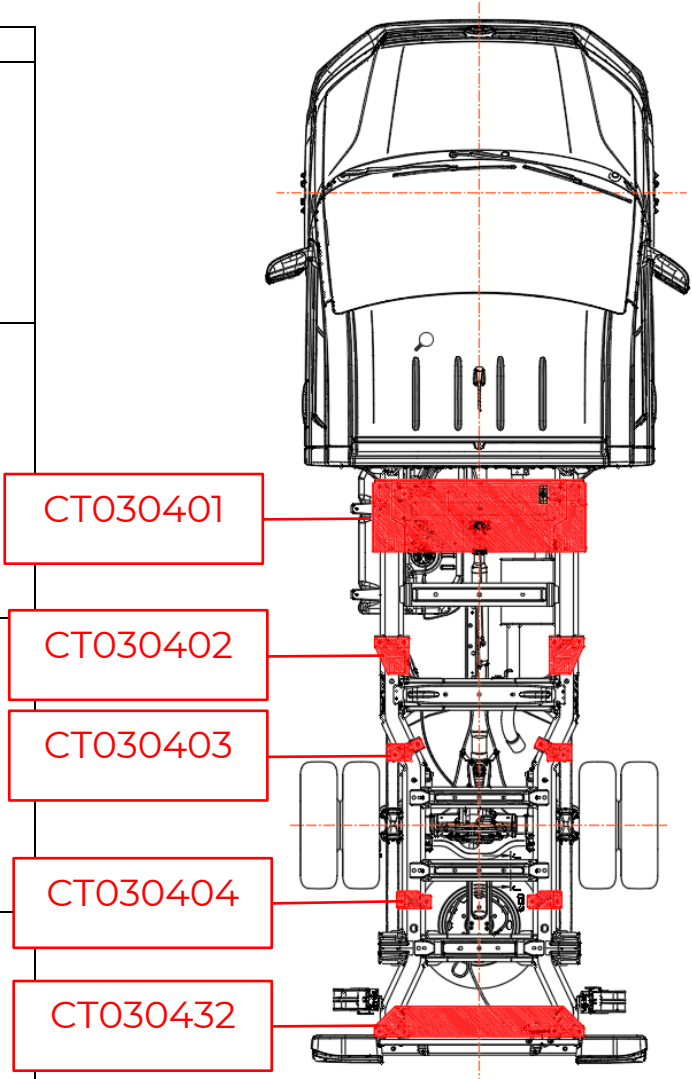


MAN	TGE 5.180 4x2 SB	WB 3645	GVW 4050 kg	Single cab
-----	------------------	---------	-------------	------------

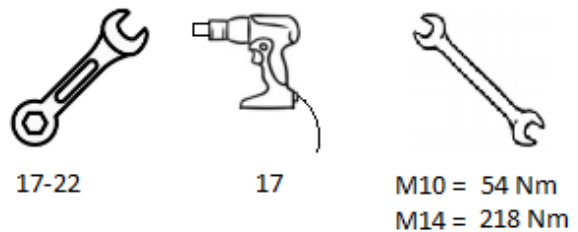


## 3. OVERVIEW OF CITY HOOKLOADER

Brackets	
CT030401 (x1)	
CT030402 (x1) CT030429 (x1)	
CT030403 (x1) CT030430 (x1)	
CT030404 (x1) CT030431 (x1)	
CT030432 (x1)	



### Tools:



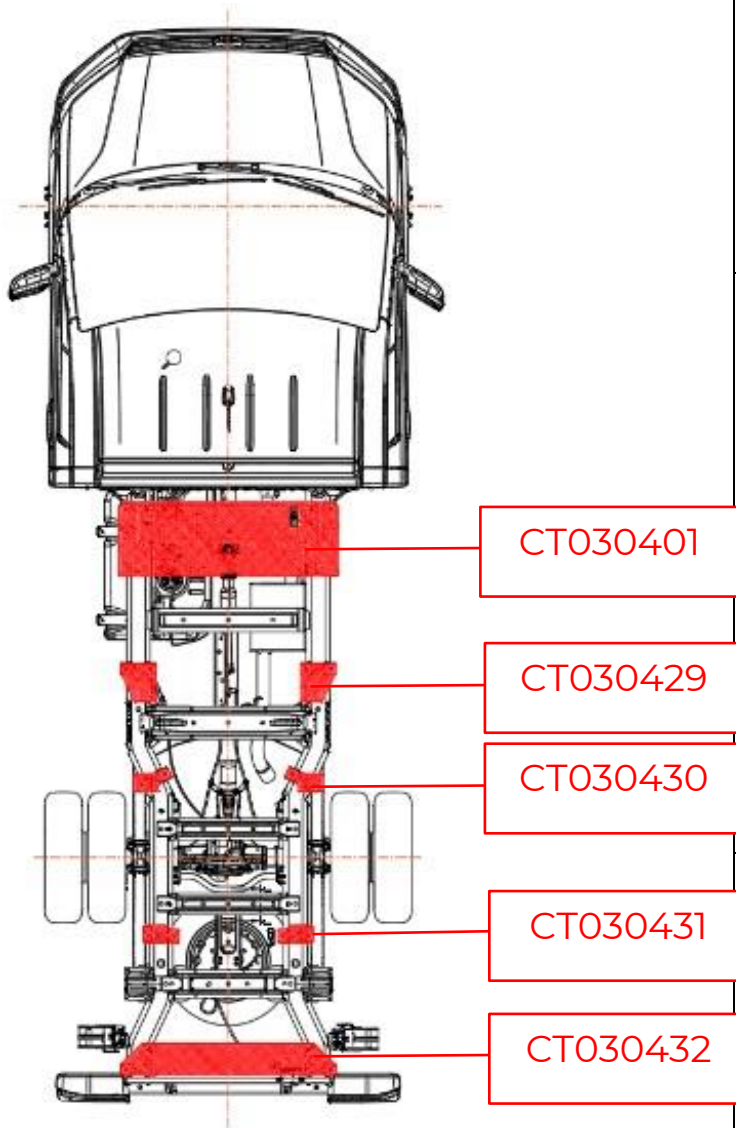
### Other Parts supplied with Mounting Kit






M10		8.8
M14		10.9



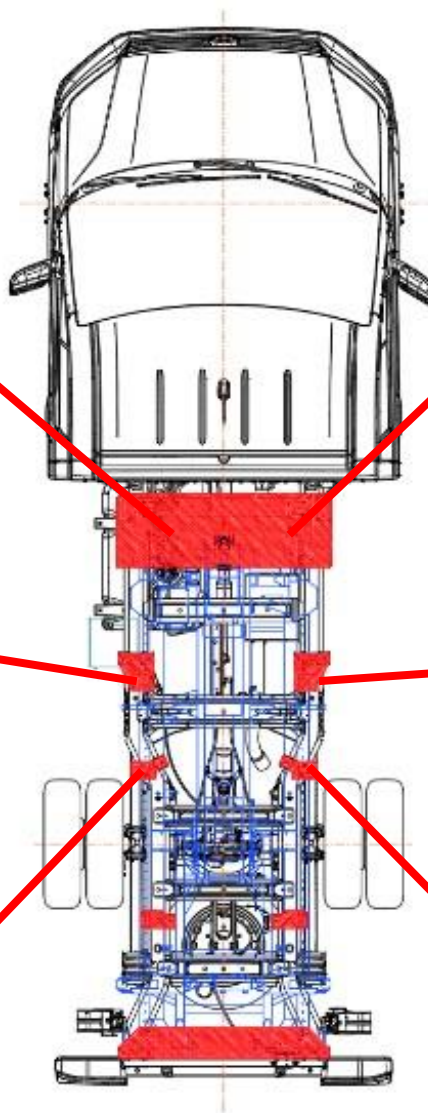


## 4. MOUNTING CHASSIS BRACKETS

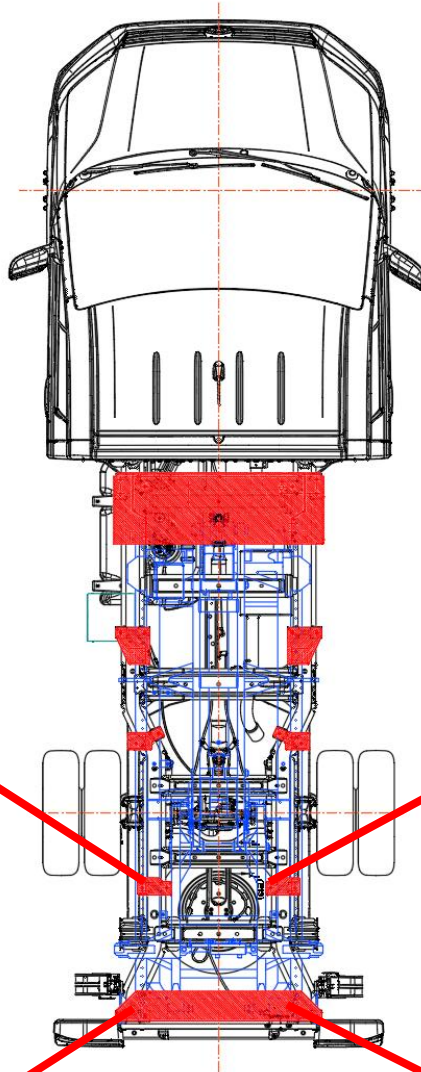


Brackets	
<b>CT030401</b>  6x M14	
<b>CT030402</b> <b>CT030429</b>  2x M14	
<b>CT030403</b> <b>CT030430</b>  1x M14	
<b>CT030404</b> <b>CT030431</b>  2x M14	
<b>CT030432</b>  1x M14	

## 5. MOUNTING OF SUBFRAME

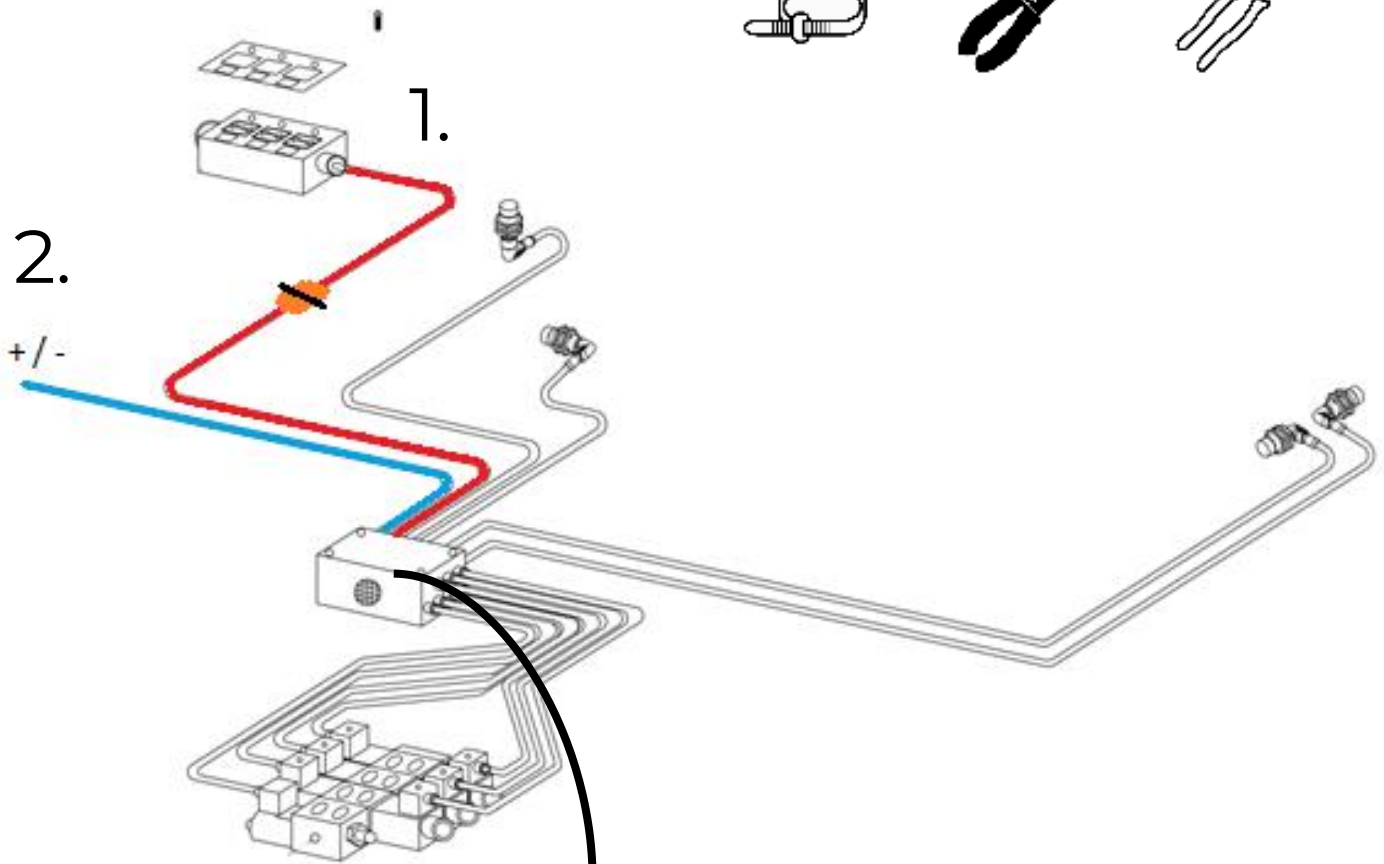


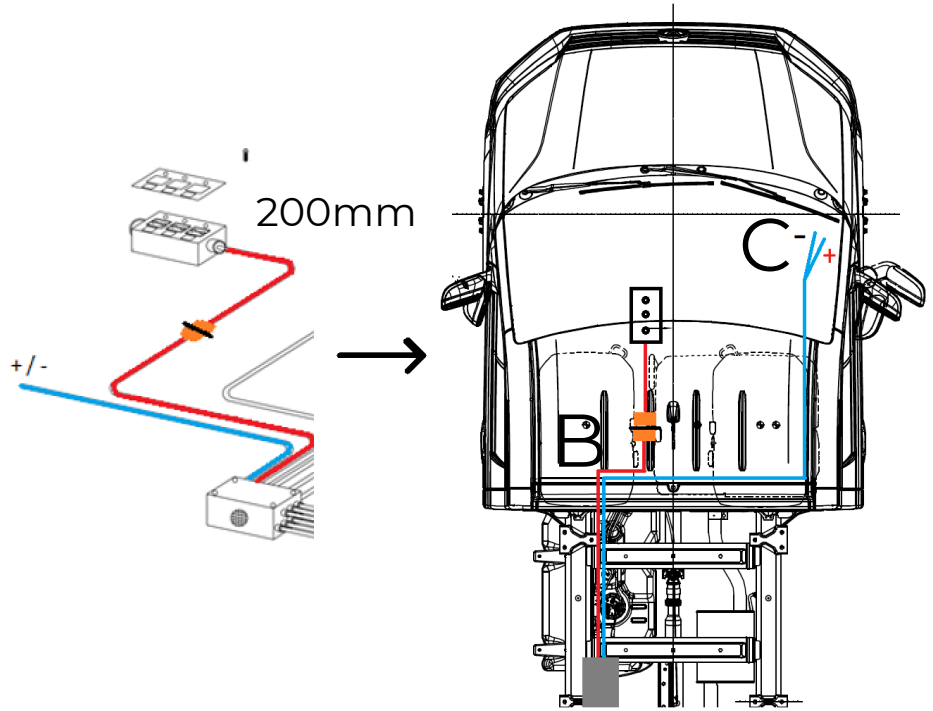




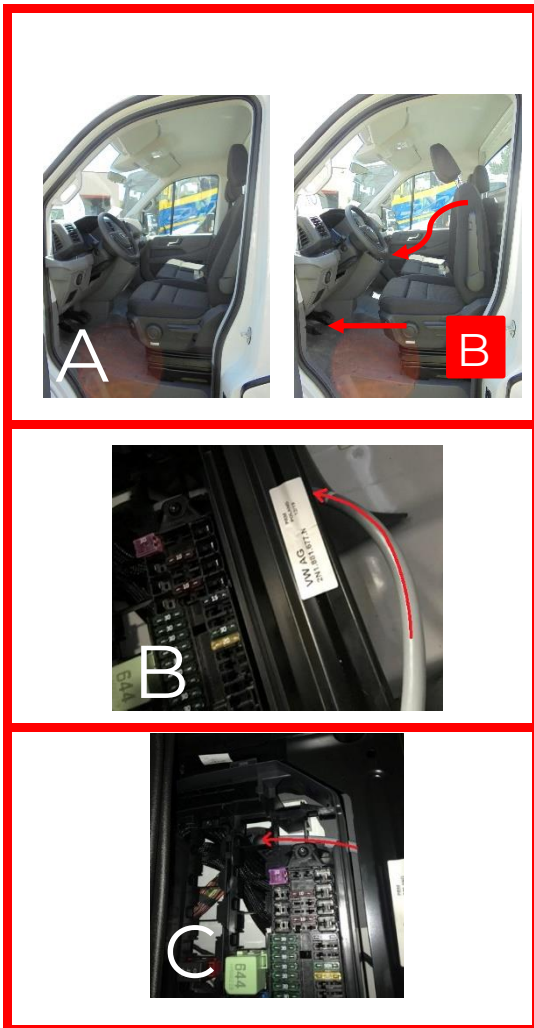
## 6. ELECTRICAL WIRING

### Tools:

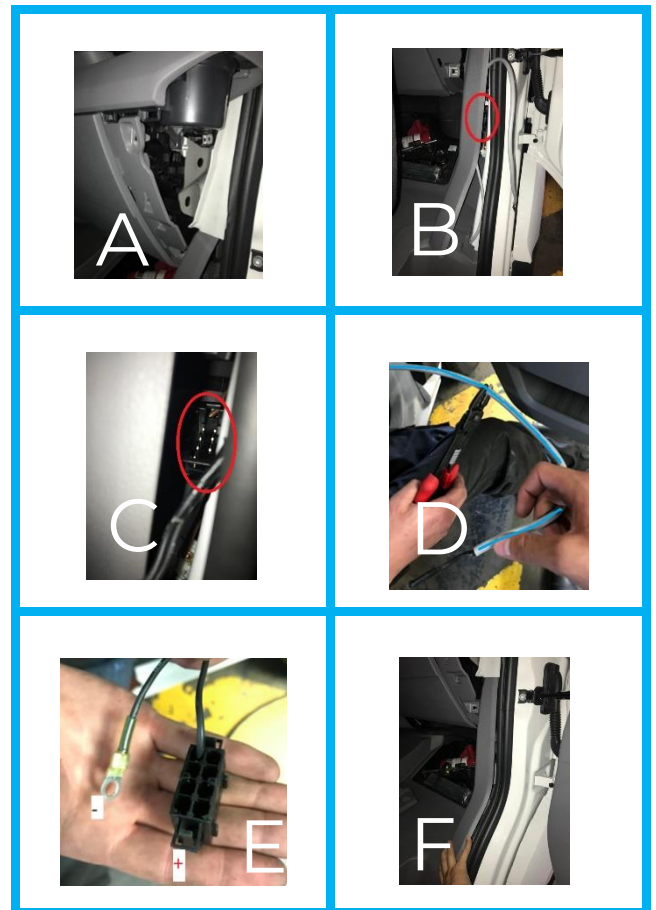




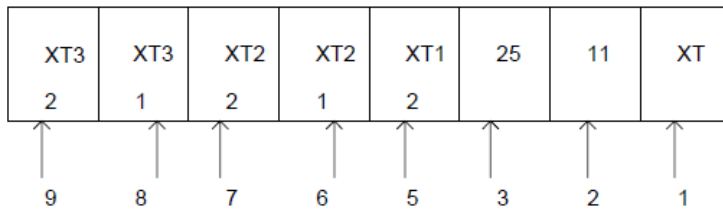
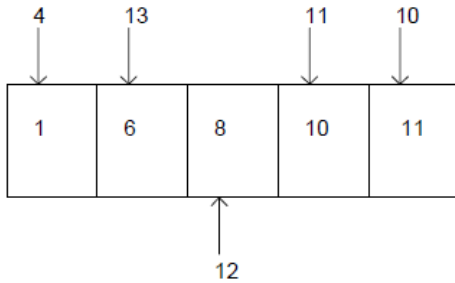
1.



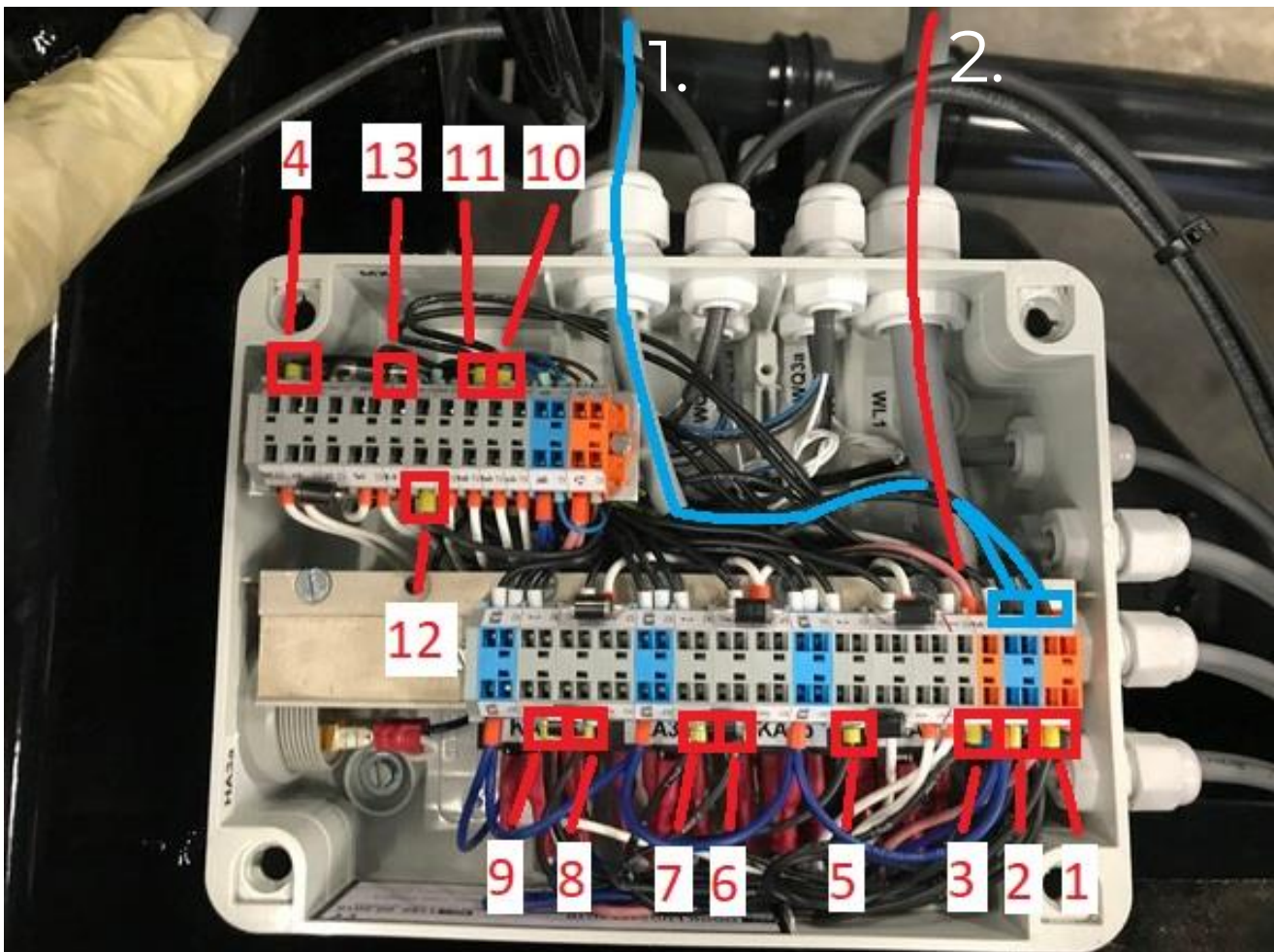
2.











Wire	Socket
1	XT
2	11
3	25
4	1
5	XT1 (2)
6	XT2 (1)
7	XT2 (2)
8	XT3 (1)
9	XT3 (2)
10	11
11	10
12	12
13	6

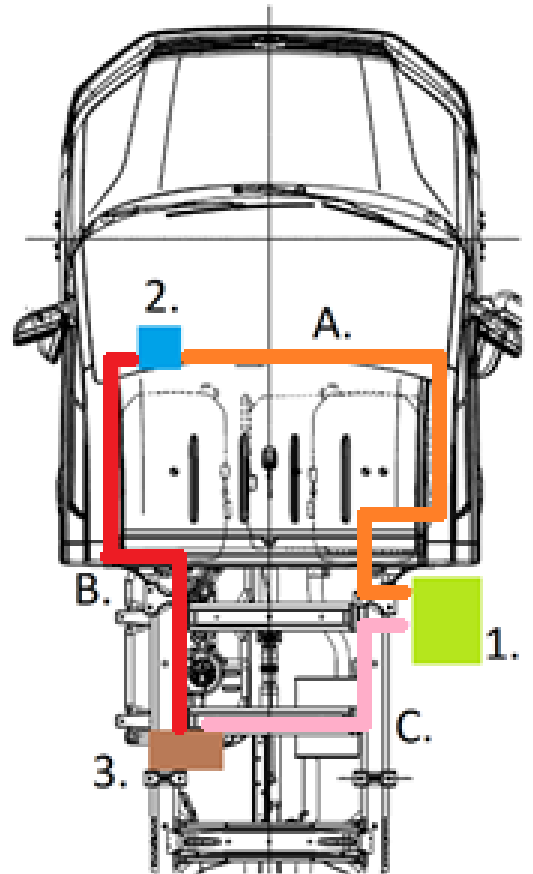
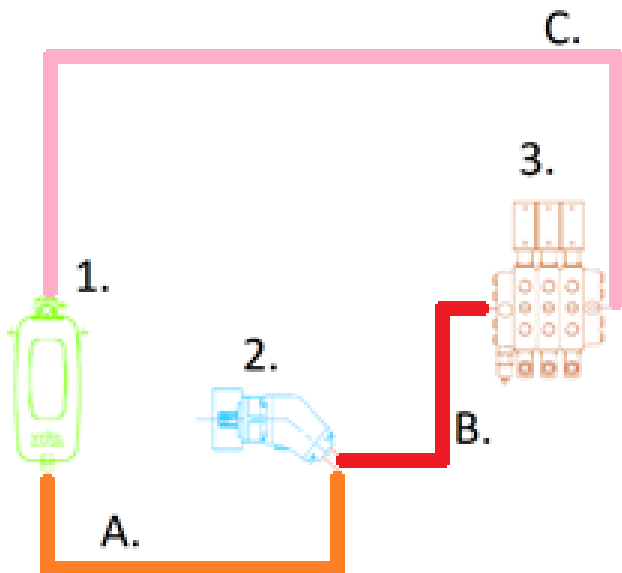


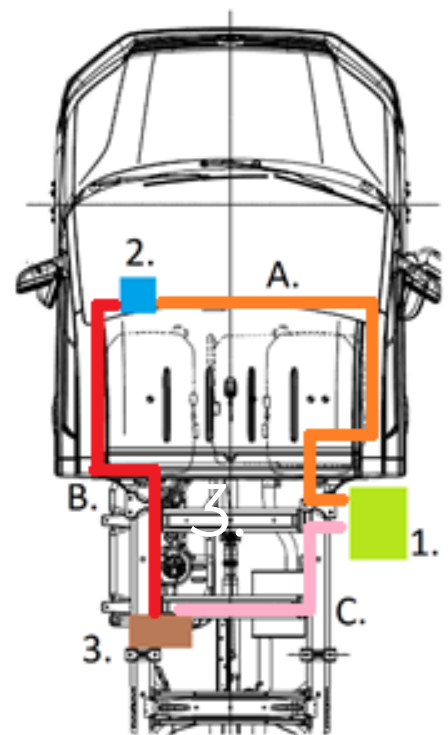
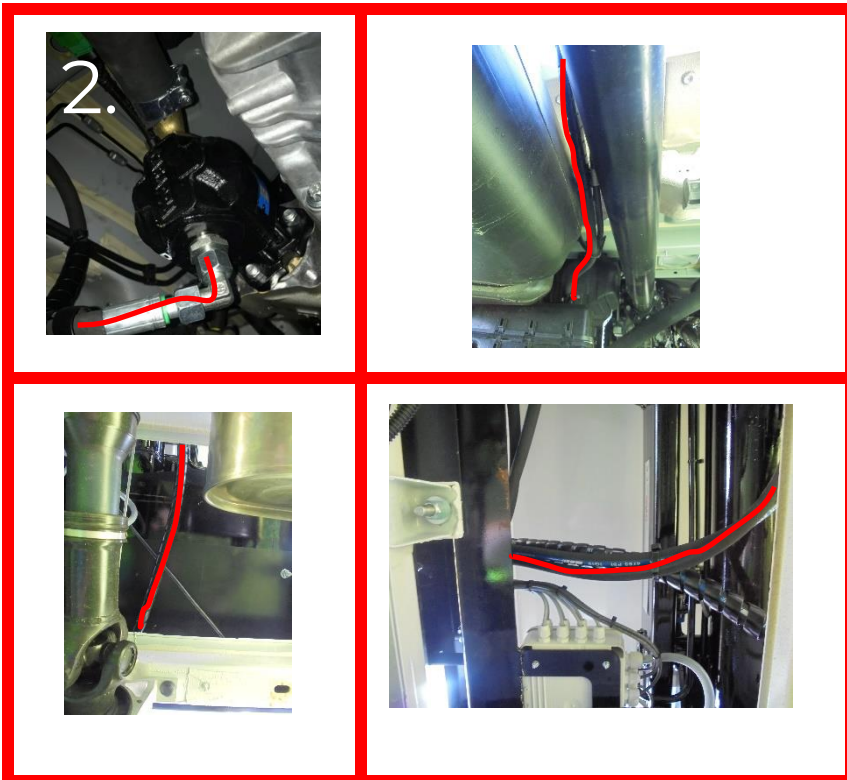


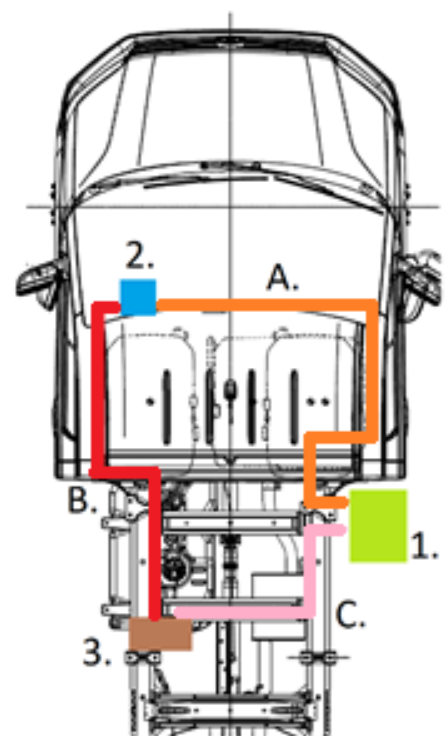
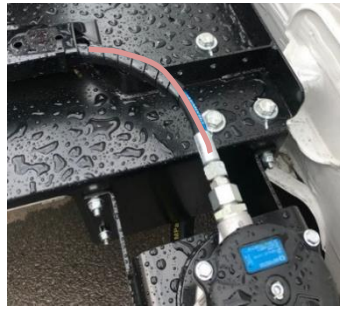
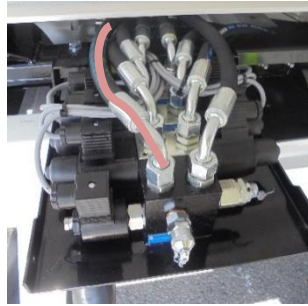
## 7. HYDRAULICS

-  = Low pressure hose
-  = High pressure hose
-  = Retour hose
-  = Retour hose

### Tools & parts (not supplied)







## 7.1 Mounting oil tank

### Tools & parts (not supplied)



M10



M10X30



M10



17



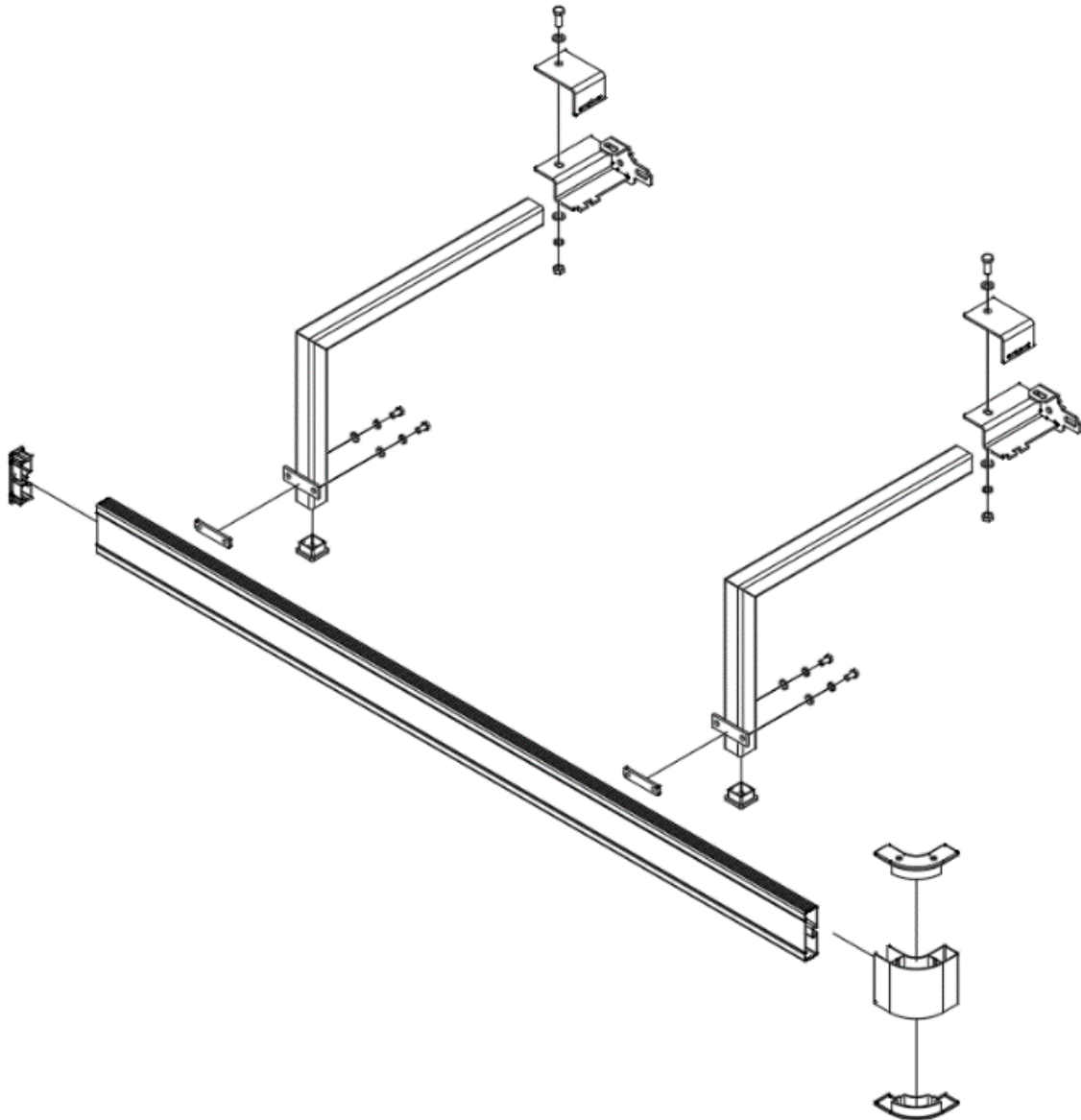
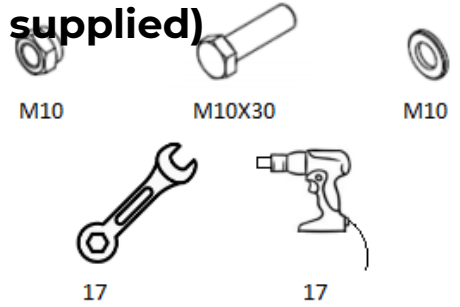
17

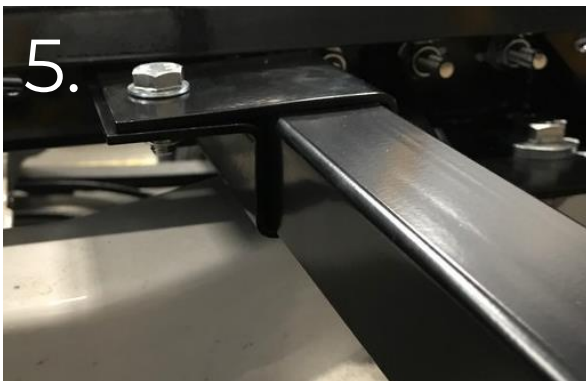
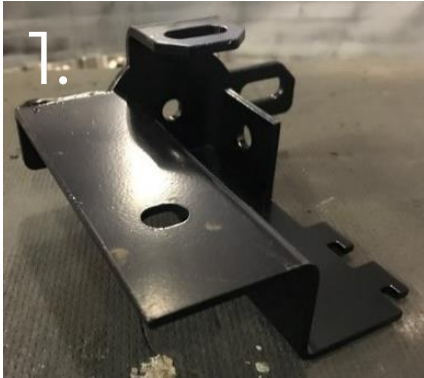




## 8. MOUNTING OF SIDE PROTECTION

### Tools & parts (not supplied)





## 9. MOUNTING OF MUDGUARDS

### Tools & parts (not supplied)



M10



M10X30



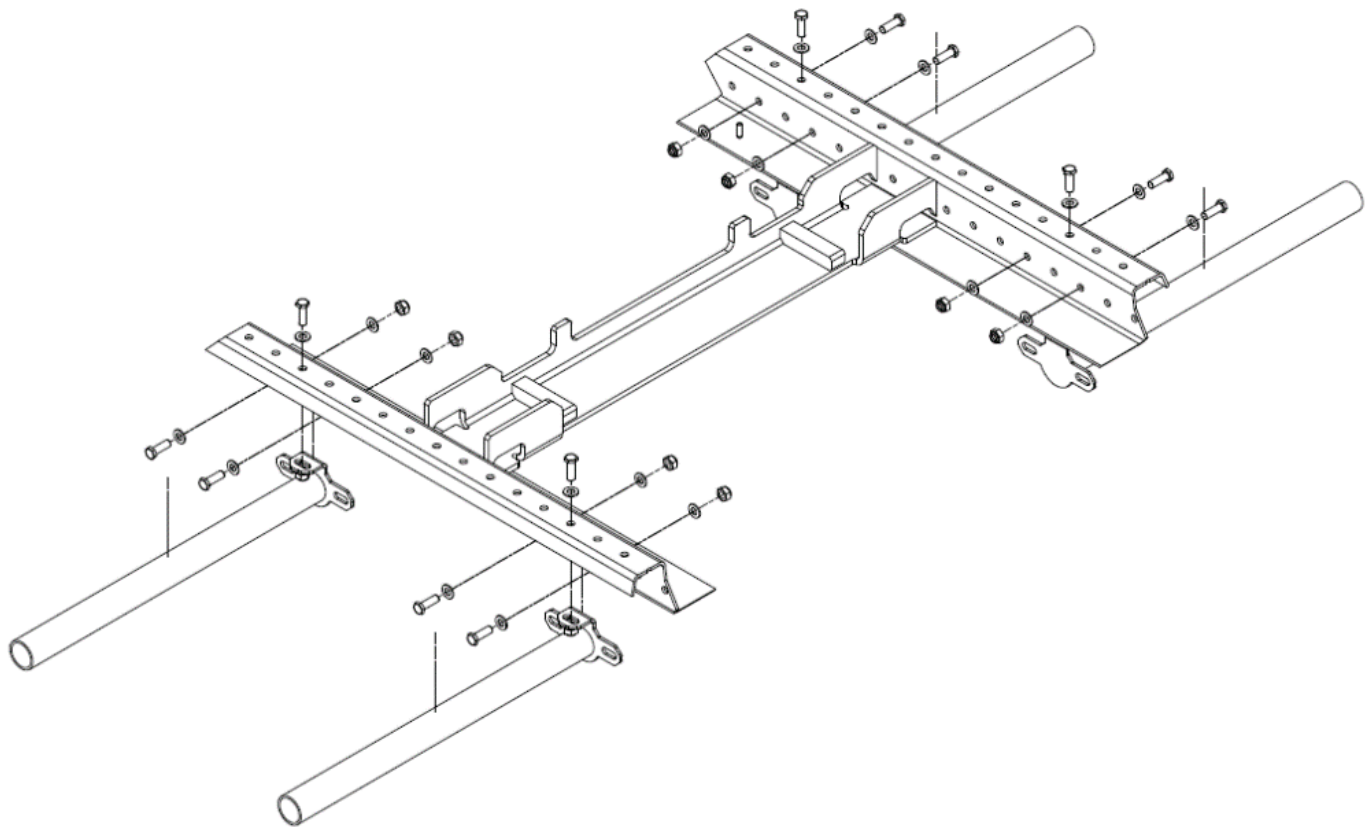
M10

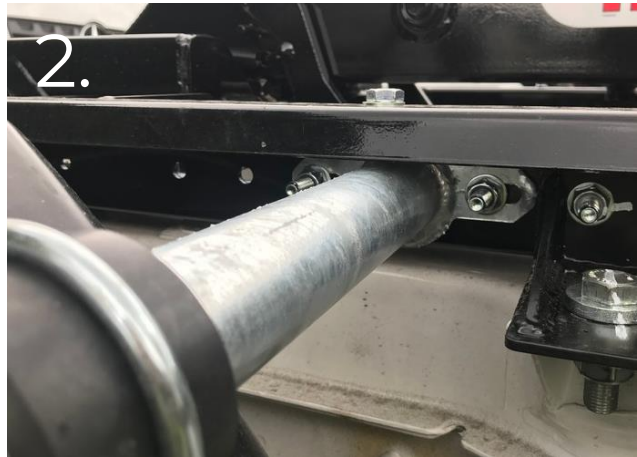


17



17



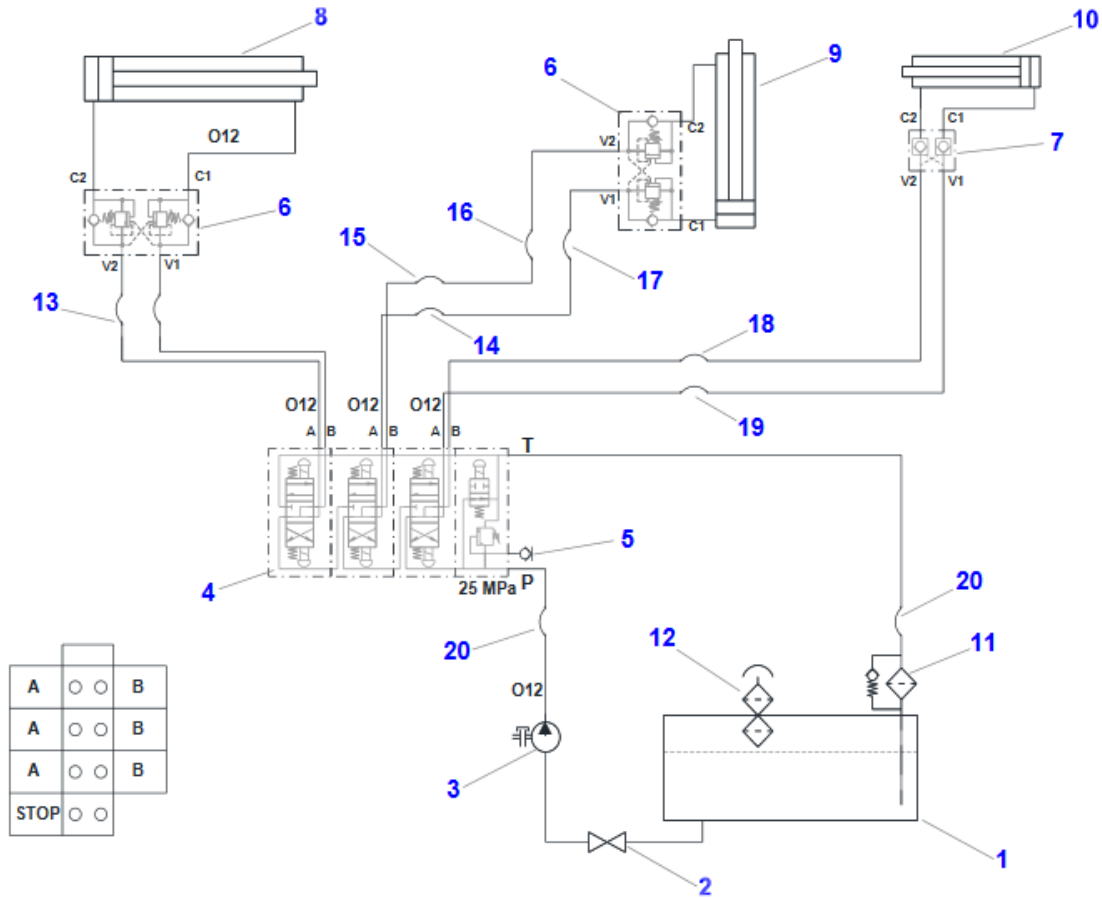


**X1 =  
210mm**





## APPENDIX A1: TITAN CITY HYDRAULIC DIAGRAM T3, 5 – XX – K



#	Description
1	Oil tank
2	Ball valve
3	Pump
4	Main valve block
5	Manometer connection point
6	Double pilot operated check valve + overcenter
7	Double pilot operated check valve
8	Main function cylinder
9	Knuckle cylinder
10	Locking cylinder
11	Return filter
12	Filler cap
13 -	Hydraulic hose
20	

## APPENDIX B1: TITAN CITY ELECTRIC DIAGRAM T3, 5 – XX – K

