



# SPARE PART CATALOGUE

<b>VERSION HISTORY</b>		

SL. No	Version	Date	Description	Person	Chk by
01	A	26-04-2018	NEW	S.A	R.S
02	B	29-07-2019	UPDATED PAGE 16-18	S.A	R.S
03	C	02-04-2020	ADDED PICKUP HOOK SK AFNOR – PAGE 18 (EC20180412_1); ADDED PICKUP HOOK MAHH PNEUMATIC VERSION – PAGE 7; AE NUMBER ADDED AT UPPER CORNER IN PAGE 19	A.G	R.S
04					
05					
06					
07					
08					
09					
10					
11					
12					
13					
14					
15					

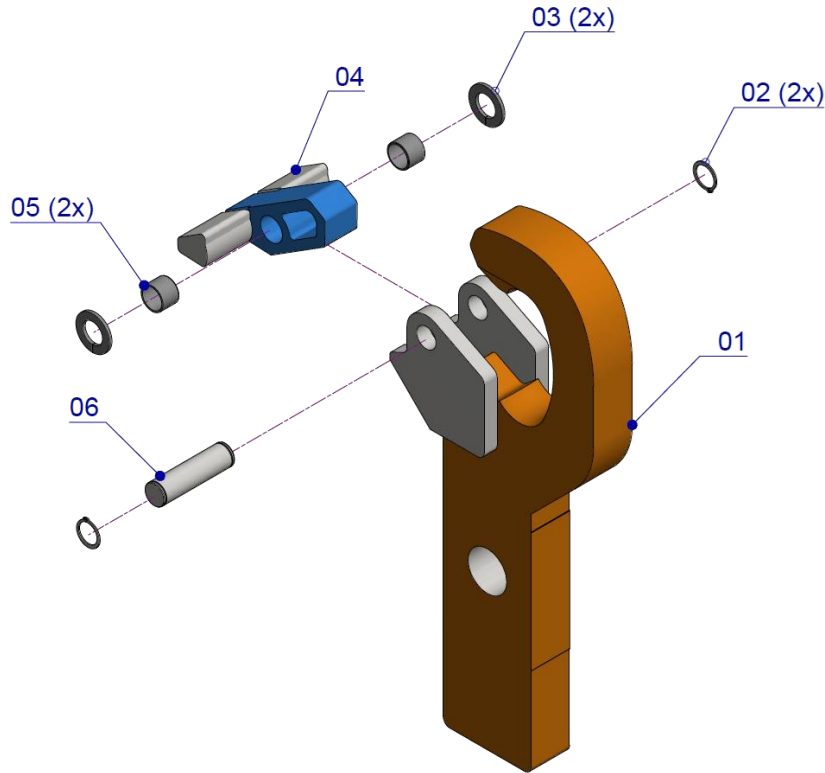
LOCATION OF PART NUMBER ON PICKUP HOOK




# PICKUP HOOK STANDARD – S AND – SZ VERSION

**PART**  
**SEE MATRIX**

**1/1**



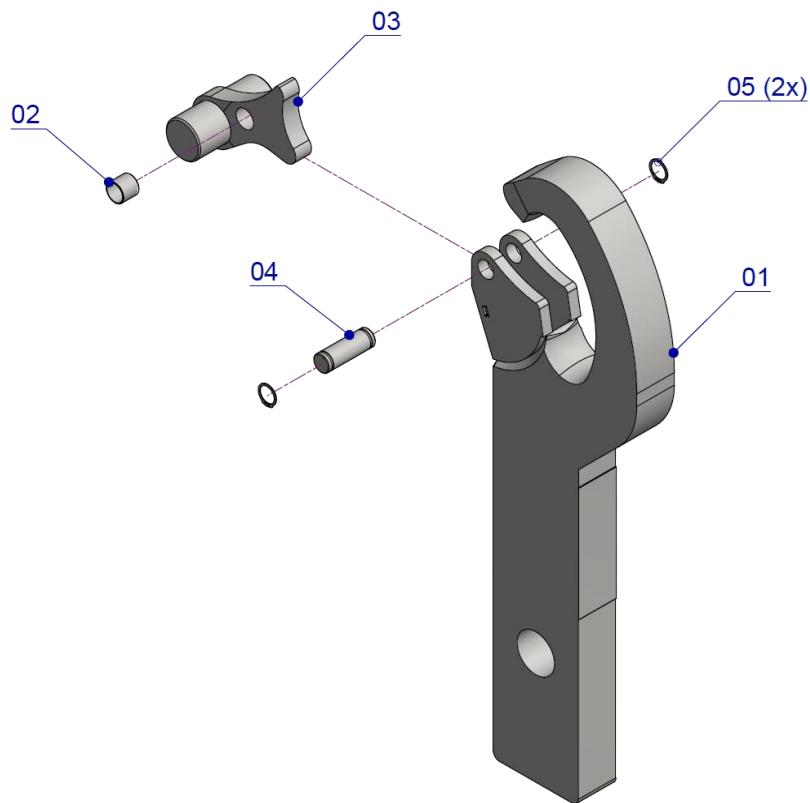
Pos.	Part Number	Q.ty	Description
01	SEE MATRIX	1	PICKUP HOOK PLATE
02	36000060	2	CIRCLIP-DIN-471-30x1.5
03	H0004354	2	RING D52xd31xt4
04	AE082310	1	PICKUP HOOK MECH LOCKER WELD ASSY
05	H0003744	2	BUSH D34xd30xL25
06	AE082307	1	PICKUP HOOK LOCKER AXLE

POS	HOOK HEIGHT	1370	1390	1420	1450	1480	1570	1600
-	PICKUP HOOK ASSY	AE084404	AE082316	AE082317	AE082318	AE082019	AE082431 (SUPERSEDES AE082300)	AE08269 0
01	PICKUP HOOK PLATE	AE084403	AE082312	AE082313	AE082314	AE082015	AE082436 (SUPERSEDES AE082315)	AE082691
-	COUNTRY / NORM	DIN	DIN/ AFNOR	AFNOR	SVENSK	DIN/ AFNOR	DIN	FINNISH
-	VERSION	S	S	S	SZ	SZ	S	SZ

# PICKUP HOOK STANDARD – SK AND – SKZ VERSION

**PART**  
**SEE MATRIX**

**1/1**



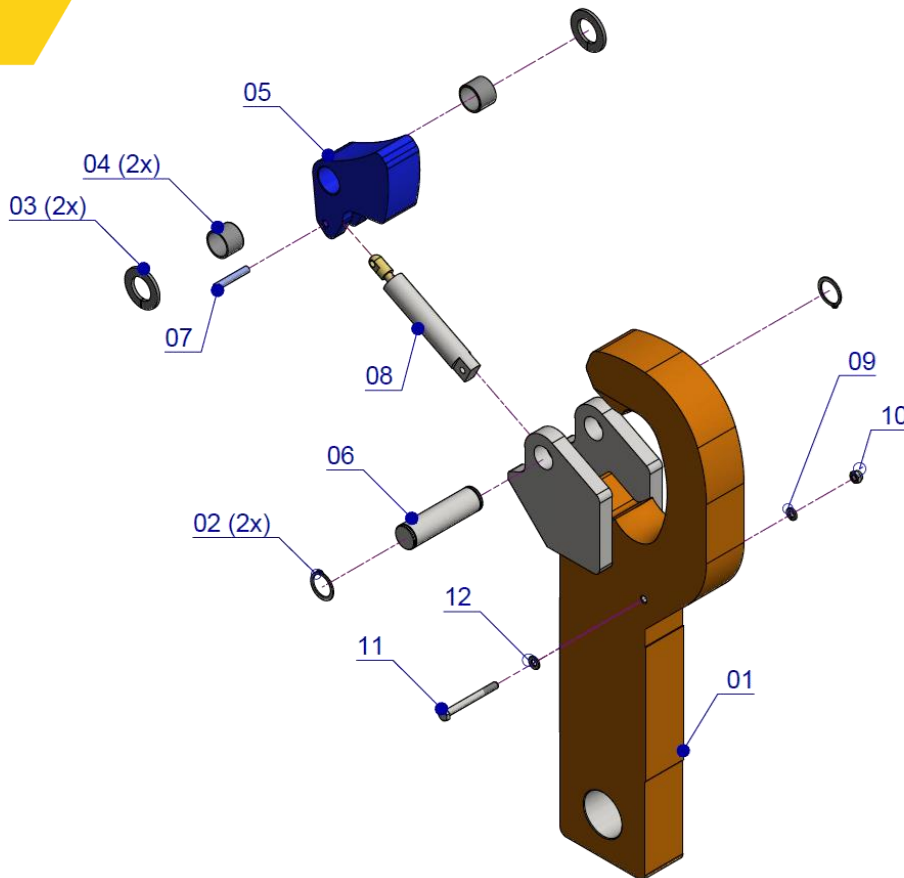
Pos.	Part Number	Q.ty	Description
01	SEE MATRIX	1	PICKUP HOOK PLATE
02	AE08500601	1	BEARING BUSH
03	AEH0002933	1	DROPLock
04	AE08500301	1	DROPLock AXLE
05	36000050	2	CIRCLIP Ø25x1.2 DIN471

POS	HOOK HEIGHT	1370	1390	1420	1450	1480	1570	1600
-	PICKUP HOOK ASSY	N/A	AE081930	AE081931	AE081932	AE081982	AE081933	AE083430
01	PICKUP HOOK PLATE	N/A	AE081926	AE081927	AE081928	AE081981	AE081929	AE083431
-	COUNTRY / NORM	N/A	DIN/AFNO R	AFNOR	SVENSK	DIN/AFNO R	DIN	FINNISH
-	VERSION	SK	SK	SK	SKZ	SKZ	SK	SKZ

# PICKUP HOOK STANDARD PNEUMATIC VERSION

**PART**  
**SEE MATRIX**

**1/1**



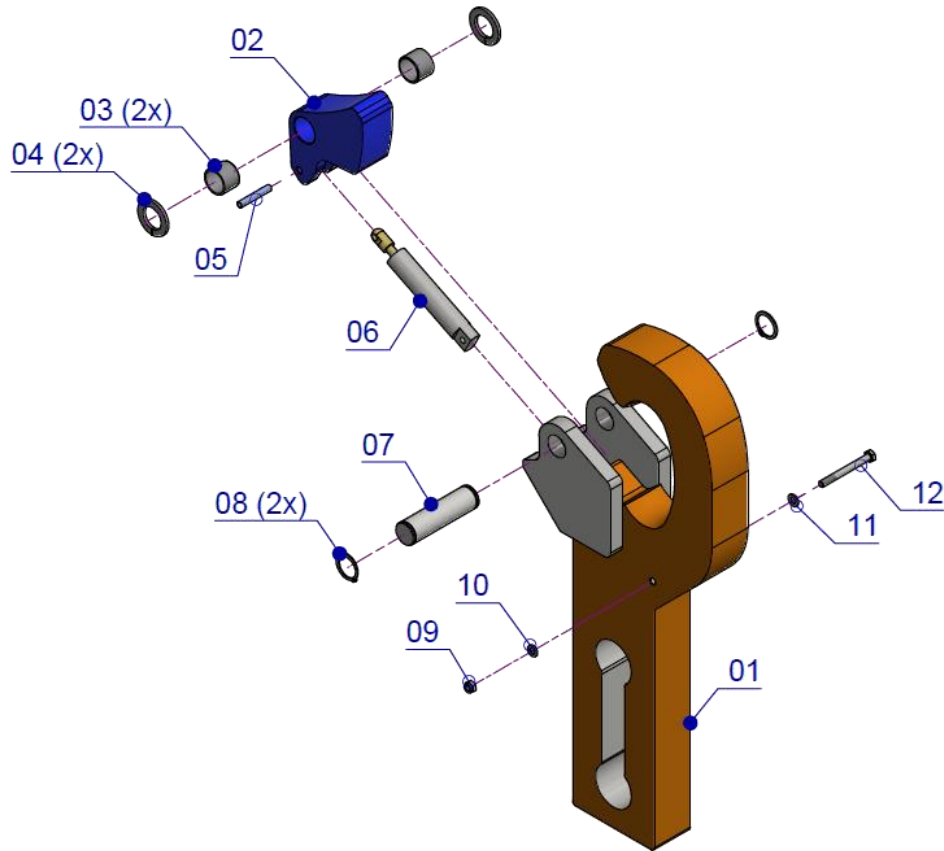
Pos.	Part Number	Q.ty	Description
1	SEE MATRIX	1	PICKUP HOOK PLATE
2	36000060	2	CIRCLIP-DIN-471-30x1.5
3	H0004354	2	RING D52xd31xt4
4	H0003744	2	BUSH D34xd30xL25
5	AE082319	1	PICKUP HOOK PNEUMATIC LOCKER
6	AE082307	1	PICKUP HOOK LOCKER AXLE
7	H0002515	1	SPRING RIVET D8XL50
8	34162000	1	PNEUMATIC CYLINDER
9	45110208	1	SPRING WASHER M8 DIN 121 ZP
10	45080815	1	HEX NUT SELFLOCK M8 DIN98
11	45010838	1	BOLT-DIN931-1 M8x80
12	45110108	1	WASHER M8 DIN125A ZP

POS	HOOK HEIGHT	1370	1390	1420	1450	1480	1570	1600
-	PICKUP HOOK ASSY	N/A	AE082328	AE082329	AE082330	N/A	AE082331	N/A
01	PICKUP HOOK PLATE	N/A	AE082324	AE082325	AE082326	N/A	AE082327	N/A
-	COUNTRY / NORM	N/A	DIN/AFNO R	AFNOR	SVENSK	N/A	DIN	N/A

# PICKUP HOOK MHAH\* PNEUMATIC VERSION

**PART**  
**SEE MATRIX**

**1/1**



Pos.	Part Number	Q.ty	Description
1	SEE MATRIX	1	PICKUP HOOK PLATE
2	AE082319	1	PICKUP HOOK PNEU LOCKER
3	H0003744	2	BEARING BUSH
4	H0004354	2	SPACER
5	H0002515	1	SPRING RIVET D8xL50
6	34162000	1	CYLINDER PNEUMATIC
7	AE082307	1	LOCKER AXLE
8	36000060	2	CIRCLIP 30X1.5
9	45080815	1	LOCK NUT M8
10	45110208	1	SPRING WASHER M8
11	45110108	1	WASHER M8
12	45010838	1	HEX HEAD BOLT M8x80

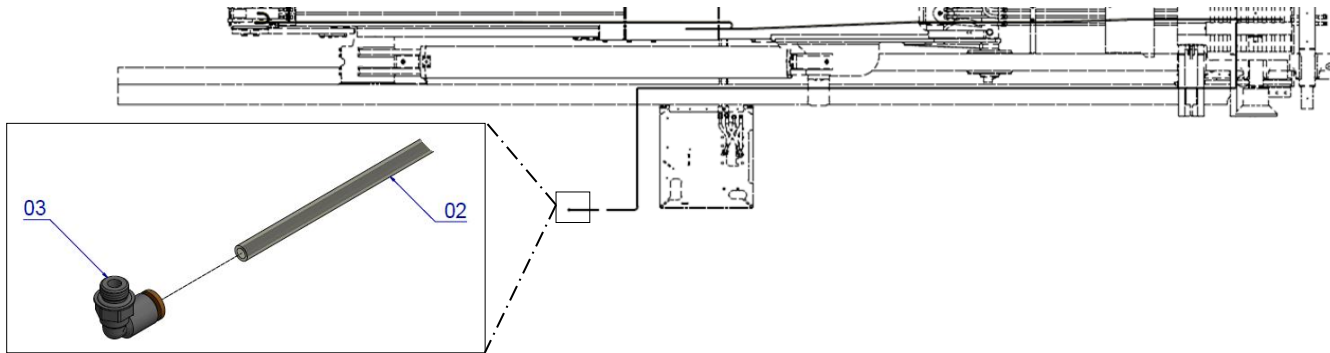
**\*MHAH: MANUAL HEIGHT ADJUSTABLE HOOK**

POS	HOOK HEIGHT (2-POSITIONS)	1390-1570	1420-1570	1450-1570	1390-1450
-	PICKUP HOOK ASSY (with Pneumatics)	AE082574	AE082575	AE082576	AE082577
-	PICKUP HOOK ASSY (without Pneumatics)	AE082072	AE082071	AE082428	AE082070
01	PICKUP HOOK PLATE	AE082570	AE082571	AE082572	AE082573

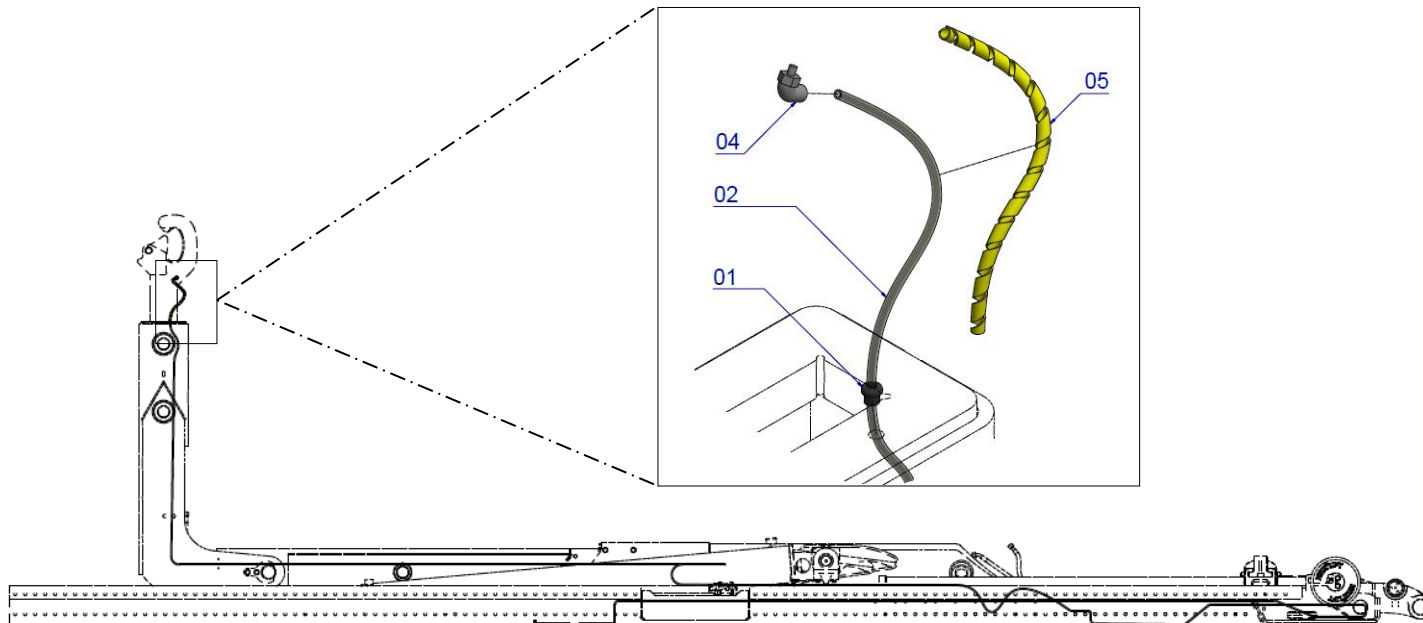
**MOUNTING KIT PNEUMATIC PICKUP HOOK**

**PART**  
**AE090550**

**1/1**



Pos.	Part Number	Q.ty	Description
1	12731062	1	HOSE GROMMET
2	34000015	20m	AIR HOSE PU 6x1 mm
3	34040615	1	AIR COUPLING QUICK REL. 6X1/8 90°
4	34040611	1	AIR COUPLING
5	13160174	1	PLASTIC SPIRAL PROTECTION



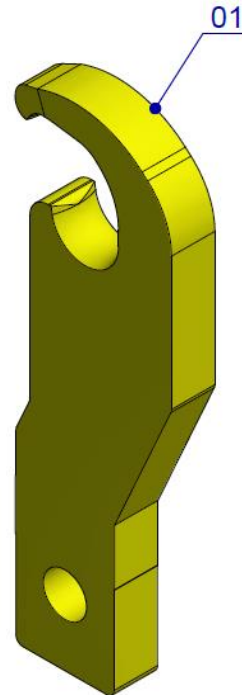


**MOUNTING KIT PNEUMATIC PICKUP HOOK**

**PART**  
**AE090550**

**1/1**

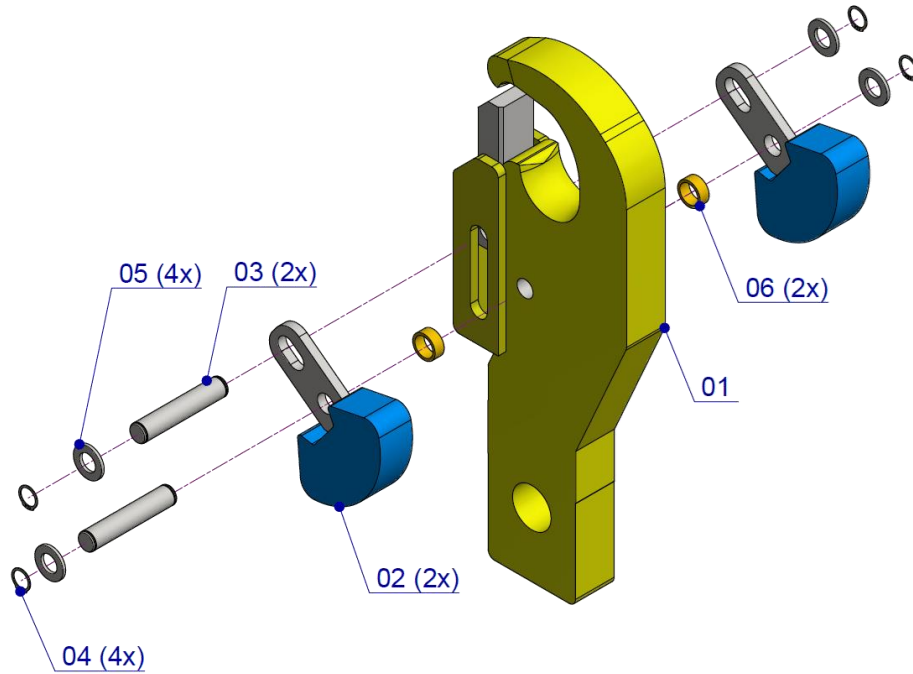
Pos.	Part Number	Q.ty	Description
01	AE090802	1	PICKUP HOOK CHEM BASE PLATE HH1575



# PICKUP HOOK STANDARD CHEM LATCH

**PART**  
**AE090142**

**1/1**



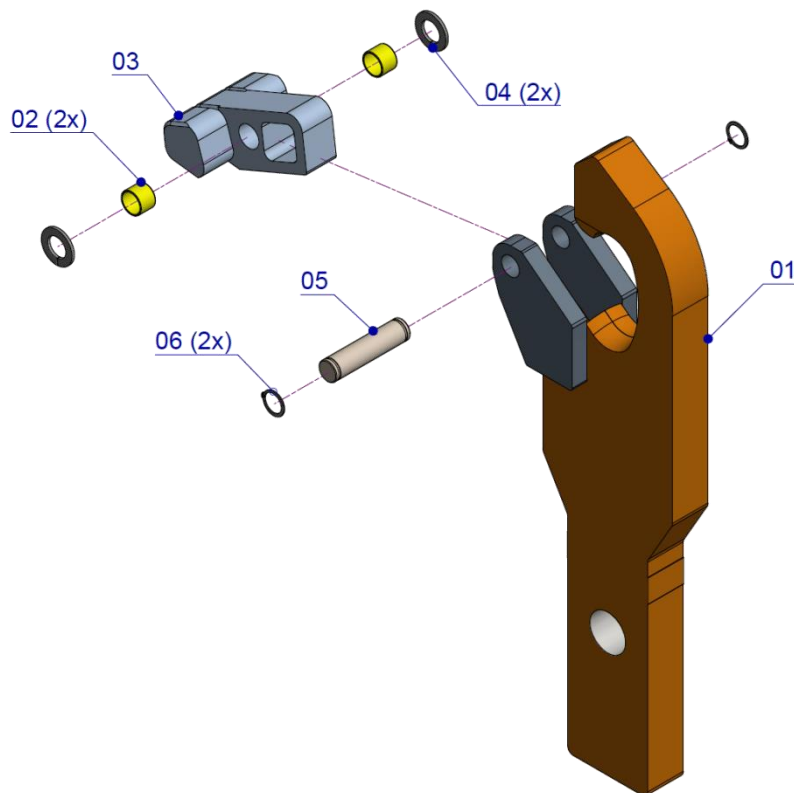
Pos.	Part Number	Q.ty	Description
01	SEE MATRIX	1	PICKUP HOOK PLATE
02	AE090148	2	PICKUP HOOK CHEM COUNTERWEIGHT
03	AE090147	2	PICKUP HOOK CHEM AXLE
04	36000050	4	CIRCLIP Ø25x1.2 DIN471
05	45110124	4	PLAIN WASHER M24 DIN125-1A
06	08500602	2	SPACER PLASTIC

POS	HOOK HEIGHT	1575
-	PICKUP HOOK ASSY	AE090142
01	PICKUP HOOK PLATE	AE090168
-	COUNTRY/NORM	CHEM

# PICKUP HOOK DIN '0' OFFSET

**PART**  
**AE081986**

**1/1**



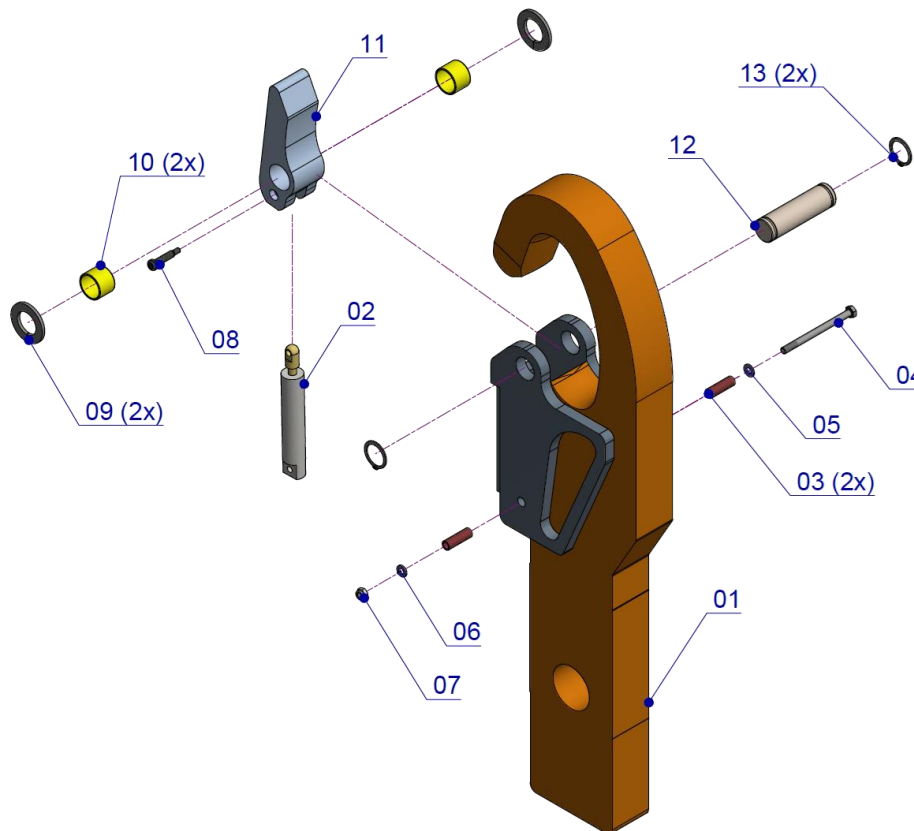
Pos.	Part Number	Q.ty	Description
01	SEE MATRIX	1	PICKUP HOOK PLATE
02	H0003744	2	BEARING LOCK
03	AE081990	1	MECHANICAL LOCKER
04	H0004354	2	SPACER
05	H0004397	1	LOCKER SHAFT
06	36000060	2	CIRCLIP Ø30x1.5 DIN471

POS	HOOK HEIGHT	1570
-	PICKUP HOOK ASSY	AE081986
01	PICKUP HOOK PLATE	AE081985
-	COUNTRY / NORM	GERMANY / DIN

# PICKUP HOOK PNEUMATIC LONG NOSE

**PART**  
**AE082722**

**1/1**



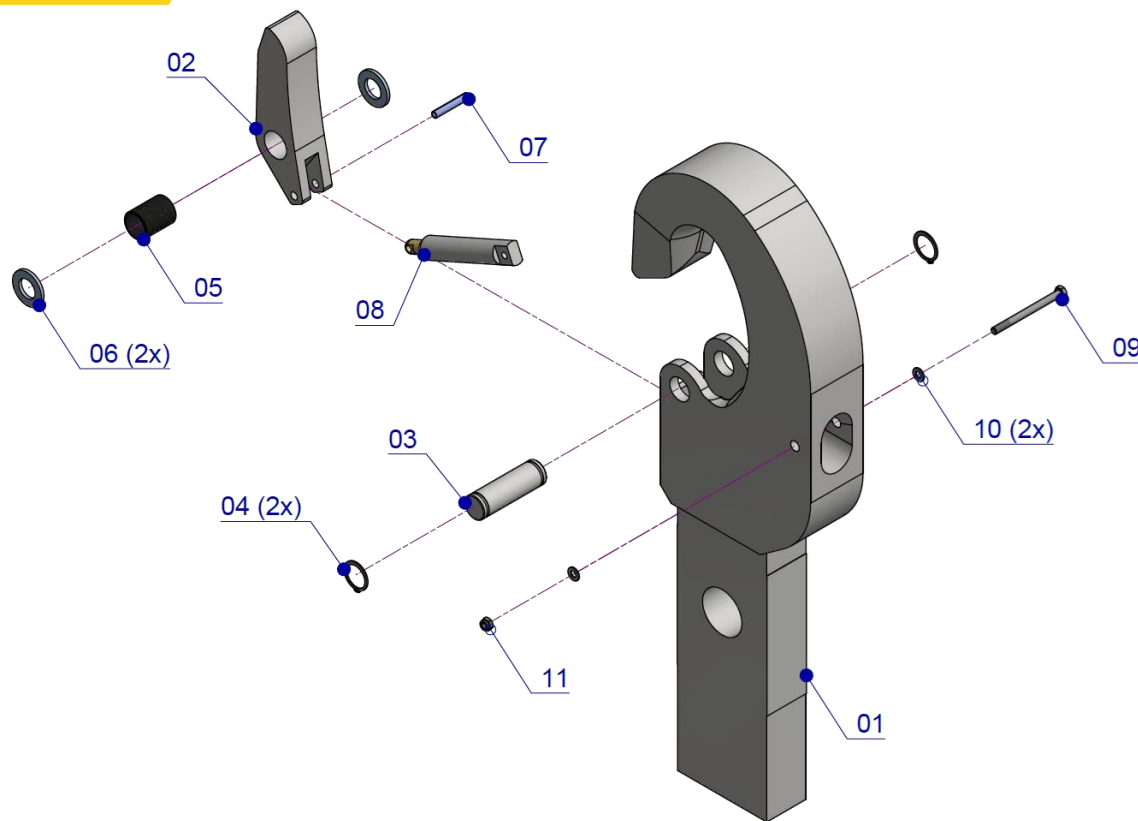
Pos.	Part Number	Q.ty	Description
01	SEE MATRIX	1	PICKUP HOOK PLATE
02	34162000	1	CYLINDER PNEUMATIC
03	H0001494	2	FIXATION TUBE
04	45010827	1	HEX. HEAD BOLT M8x110 DIN931
05	45110108	1	PLAIN WASHER M8 DIN125-1A
06	45110208	1	SPRING WASHER M8 DIN127
07	45080815	1	LOCK NUT M8 DIN985
08	AE082723	1	SHOULDER BOLT Ø8xM6x30 ISO 7379
09	H0004354	2	SPACER
10	H0003744	2	BEARING BLOCK
11	H0003745	1	LOCKING PLATE
12	H0003741	1	LOCKER SHAFT
13	36000060	2	CIRCLIP Ø30x1.5 DIN471

POS	HOOK HEIGHT	1570
-	PICKUP HOOK ASSY	AE082722
01	PICKUP HOOK PLATE	AE082721
-	COUNTRY / NORM	GERMANY / DIN

**PICKUP HOOK PNEUMATIC AUSTRIA**

**PART**  
**AE081598**

**1/1**

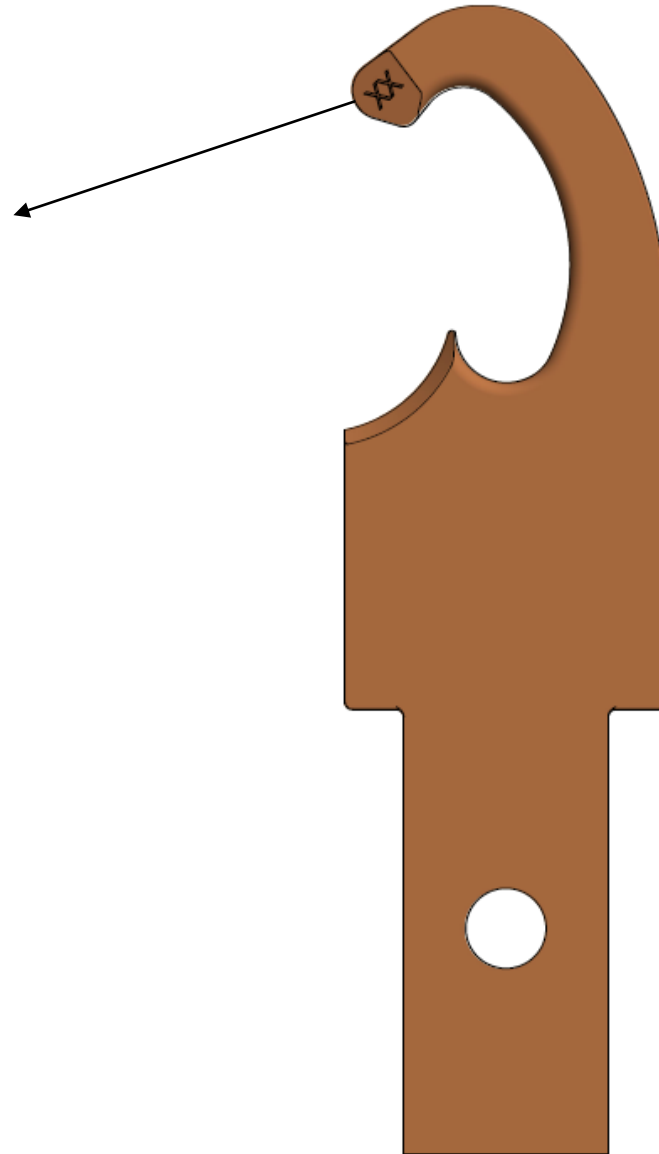


Pos.	Part Number	Q.ty	Description
01	SEE MATRIX	1	BASE PLATE HH1450 WELD
02	AE080089	1	LOCKER
03	AE080186	1	LOCKER SHAFT
04	36000060	2	CIRCLIP Ø30x1.5 DIN471
05	AE080187	1	BEARING ID30 OD34 L45
06	AE081592	2	WASHER M24 DIN125A
07	H0002515	1	SPRING REVIT D8XL50
08	34162000	1	PNEUMATIC CYLINDER
09	45010846	1	HEX. HEAD BOLT M8x100 DIN931
10	3060006	2	WASHER M8 DIN125A
11	45080815	1	HEX. LOCKING NUT M8 DIN985

POS	HOOK HEIGHT	1450
-	PICKUP HOOK ASSY	AE081598
01	PICKUP HOOK PLATE	AE081689
-	COUNTRY / NORM	AUSTRIA

LOCATION OF PART NUMBER ON PICKUP HOOK

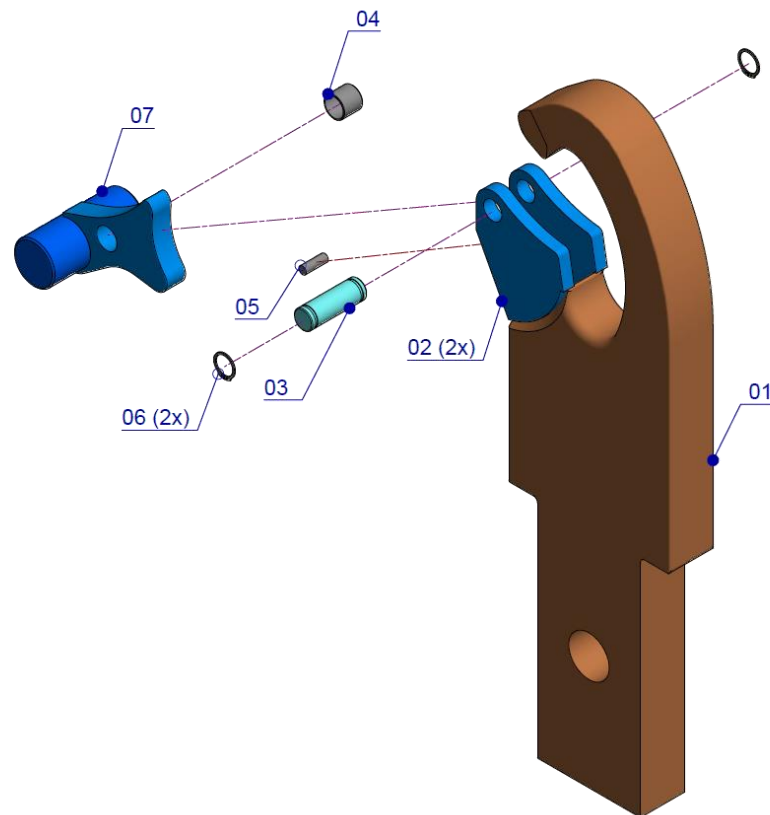
LAST TWO DIGITS OF HOOKLOADER PART NUMBER



**PICKUP HOOK 1570 SK WELDABLE HOOKLOADER**

**PART**  
**08500002**

**1/1**



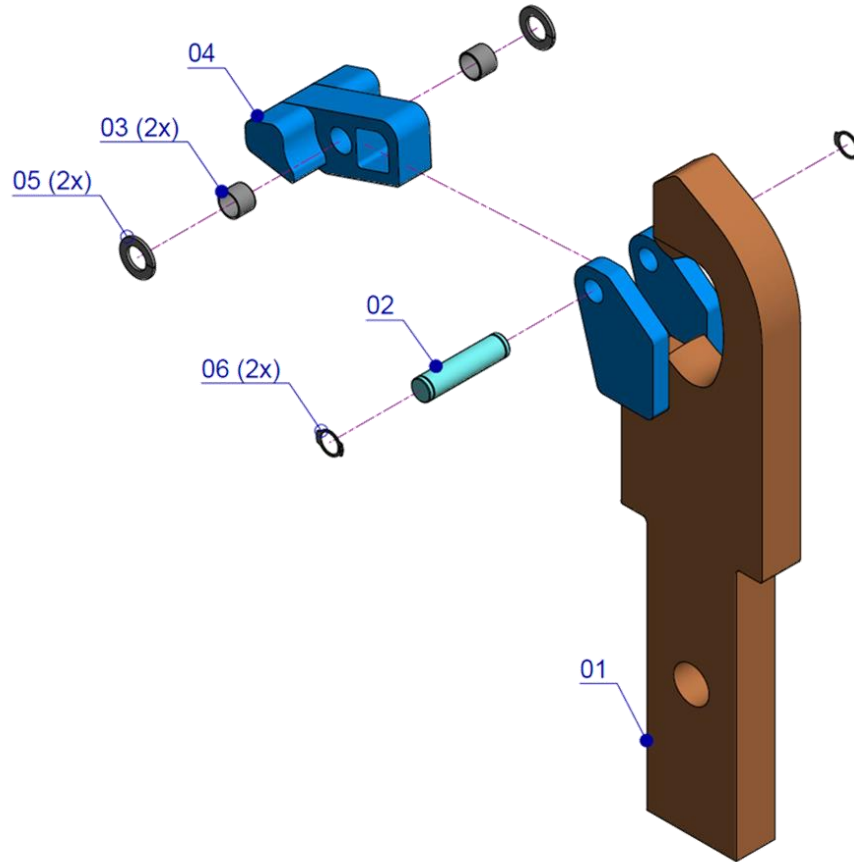
Pos.	Part Number	Q.ty	Description
01	SEE MATRIX	1	PICKUP HOOK ASSY
02	08500206	2	MOUNTING PLATE
03	08500301	1	LOCKER SHAFT
04	08500601	1	BEARING
05	08500701	1	STOP PIN
06	36000050	2	CIRCLIP Ø25x1.5 DIN471
07	H0002933	1	COUNTERWEIGHT

\*For this hook base plate weld is not available

POS	HOOK HEIGHT	1570
01	PICKUP HOOK ASSY	08500002
-	COUNTRY / NORM	DIN

# PICKUP HOOK 1570 S WELDABLE HOOKLOADER

<b>PART</b>	
<b>H0004395</b>	<b>1/1</b>



Pos.	Part Number	Q.ty	Description
01	SEE MATRIX	1	PICKUP HOOK ASSY
02	H0004397	1	LOCKER SHAFT
03	H0003744	2	BEARING
04	H0004391	1	COUNTERWEIGHT
05	H0004354	2	SPACER
06	36000060	2	CIRCLIP Ø30x1.5 DIN471

\*For this hook base plate weld is not available

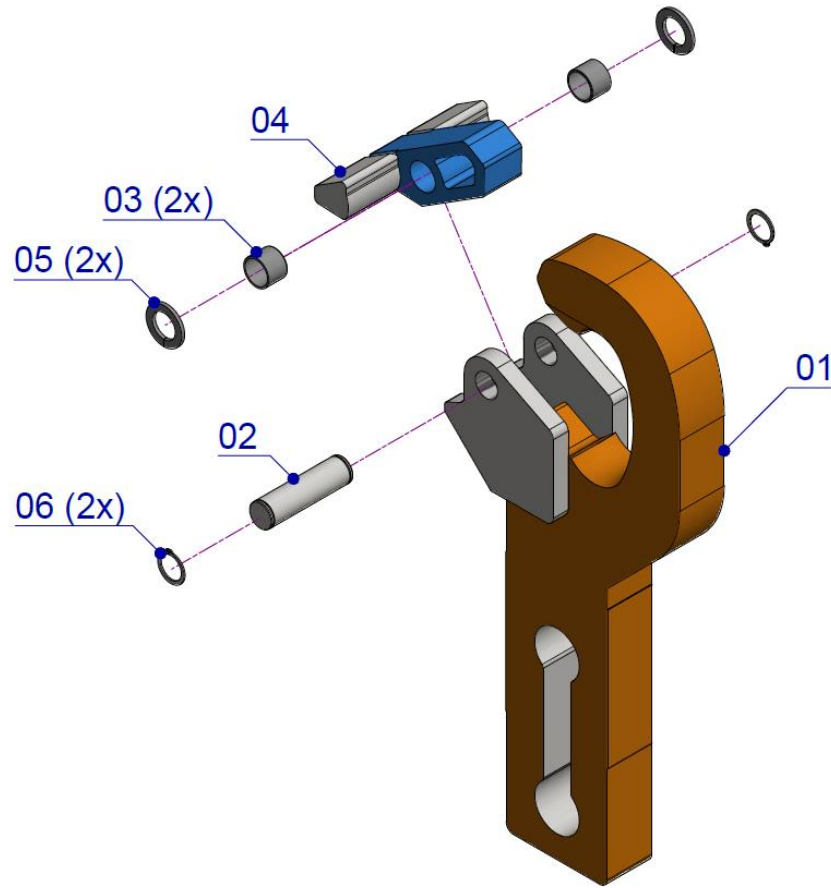
POS	HOOK HEIGHT	1570
01	PICKUP HOOK ASSY	H0004395
-	COUNTRY / NORM	DIN



**MANUAL HEIGHT ADJUSTABLE HOOK (2 POSITIONS)**

**PART**  
**SEE TABLES**

**1/1**



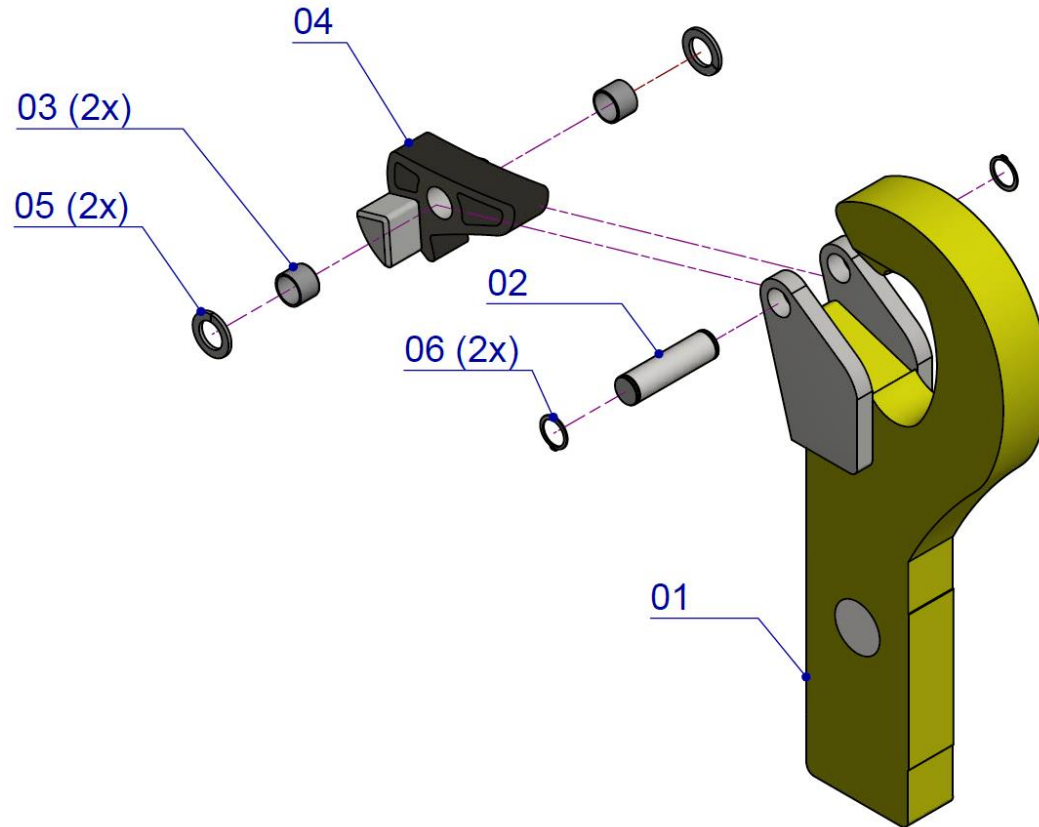
Pos.	Part Number	Q.ty	Description
01	SEE MATRIX	1	PICKUP HOOK ASSY
02	AE082307	1	PICKUP HOOK LOCKER AXLE
03	H0003744	2	BUSH
04	AE082310	1	PICKUP HOOK MECH LOCKER WELD ASSY
05	H0004354	2	SPACER
06	36000060	2	CIRCLIP Ø30x1.5 DIN471

POS	HOOK HEIGHT (2-POSITIONS)	1390-1570	1420-1570	1450-1570	1390-1450
-	ASSEMBLY NUMBER	AE082518	AE082519	AE082520	AE082521
01	PICKUP HOOK ASSY	AE082514	AE082515	AE082516	AE082517

**PICKUP HOOK HH 1420 SK AFNOR**

**PART**  
**SEE MATRIX**

**1/1**



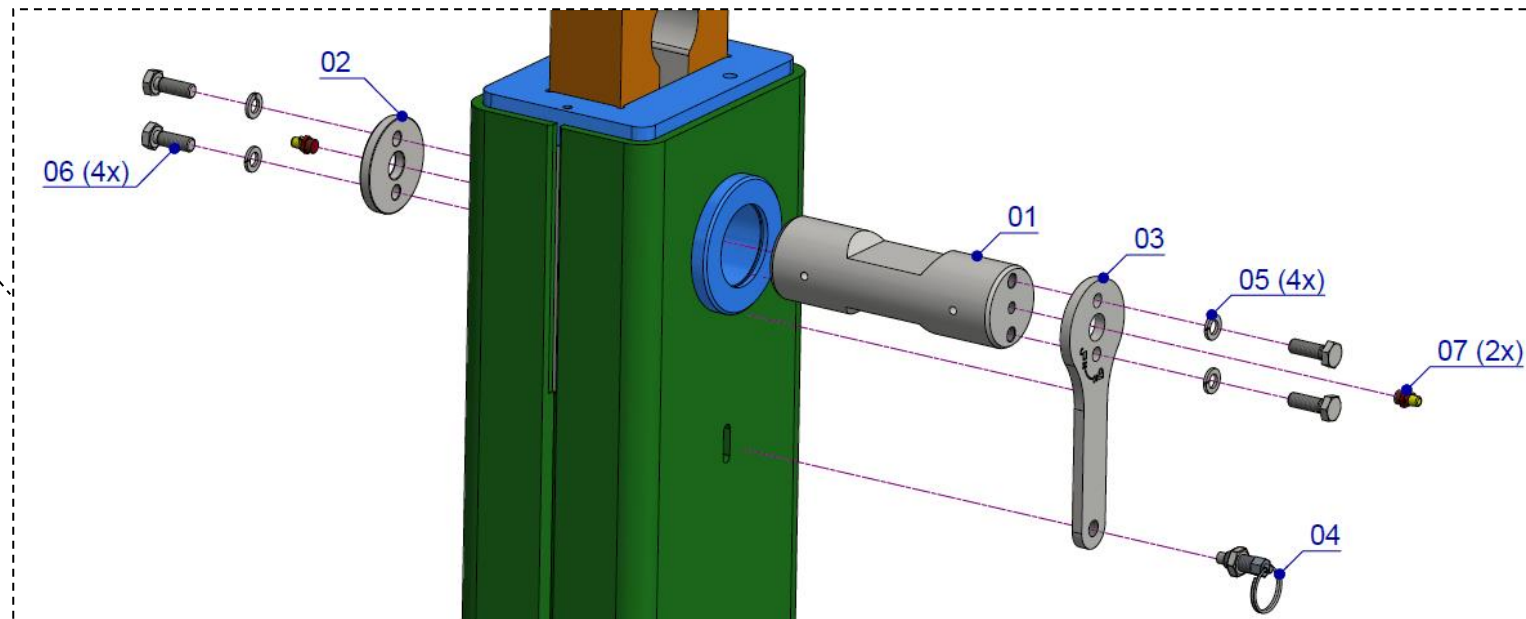
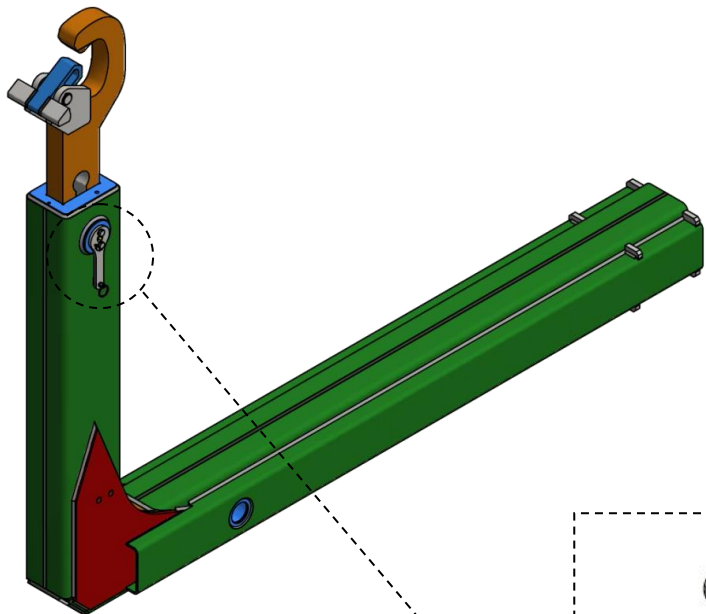
Pos.	Part Number	Q.ty	Description
01	AE089978	1	PICKUP HOOK WELD ASSY
02	AE082307	1	LOCKER AXLE
03	H0003744	2	BEARING BUSH
04	AE089981	1	MECH LOCKER WELD ASSY
05	H0004354	2	SPACER
06	36000060	2	CIRCLIP Ø30x1.5 DIN471

POS	CONTAINER HEIGHT	1420
-	COUNTRY / NORM	AFNOR

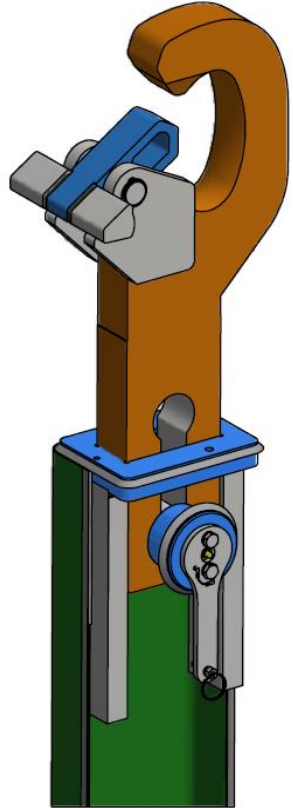
**MOUNTING INSTRUCTION :  
MANUAL HEIGHT ADJUSTABLE HOOK**

PART	
AE081349	1/2

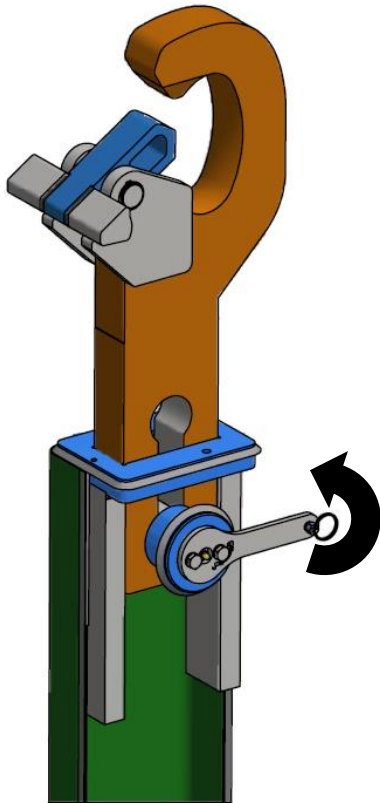
Pos.	Part Number	Q.ty	Description
01	AE080458	1	HOOK ADJUSTABLE PLATE AXLE
02	AE082369	1	LOCKING PLATE ROUND
03	AE080459	1	HOOK ADJUSTABLE LOCKING PLATE
04	AE081348	1	INDEX PLUNGER
05	45110210	4	SPRING WASHER M10 DIN127 GEOMET 321 A
06	45011014	4	HEX HEAD BOLT M10x30 DIN933 8.8 GEOMET 321 A
07	37200002	2	GREASE NIPPLE WITH CAP



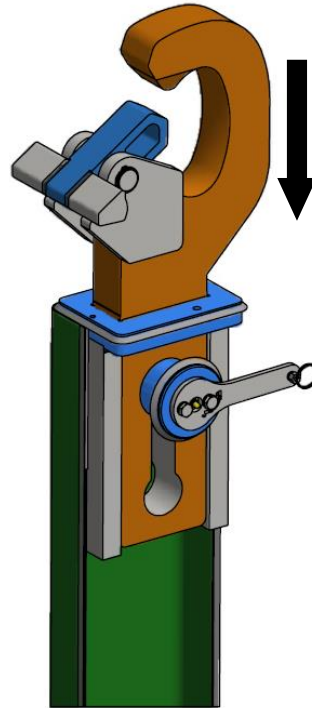
**STEP 1**



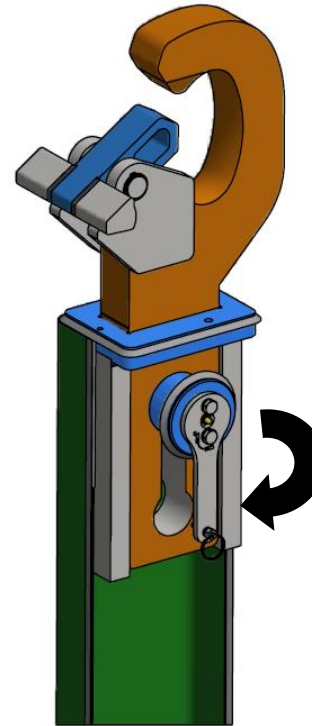
**STEP 2**



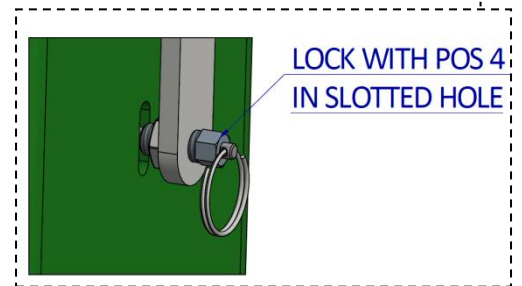
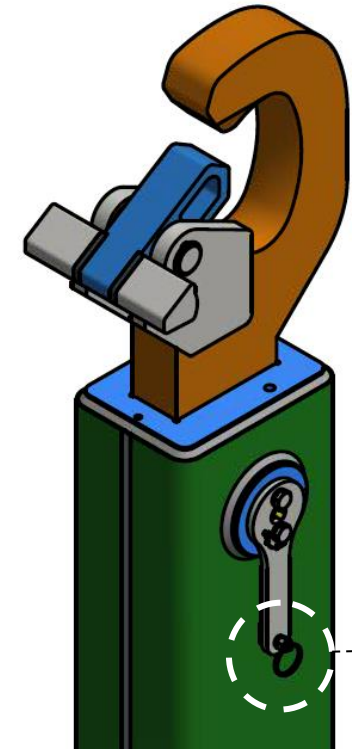
**STEP 3**



**STEP 4**



**STEP 5**



Different pickup hooks heights maybe possible. These different dimensions require to be evaluated by engineering, will have a different price and require additional delivery time.