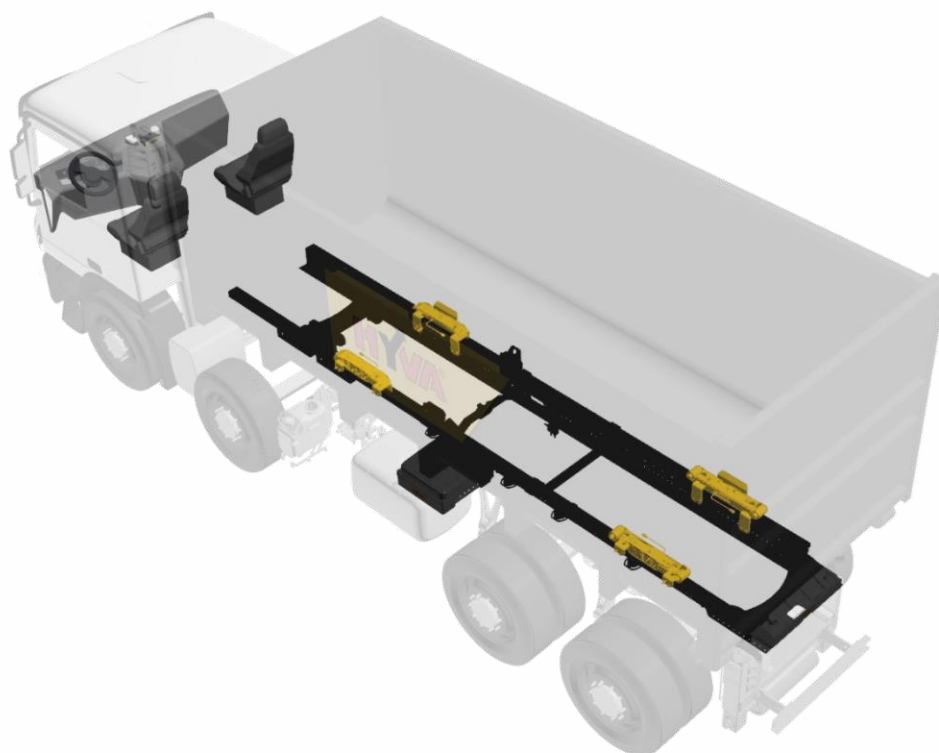


OT20145/6: LOAD CELL

Having a weighing system on a Hookloader offers several benefits and advantages that can significantly improve the efficiency and effectiveness of your operations. Here are some compelling reasons why you should consider installing a weighing system on a Hookloader:

- ✓ **Accurate Load Measurement:** A weighing system provides precise measurements of the load's weight.
- ✓ **Legal Compliance:** Many regions have strict regulations and weight limits for commercial vehicles. By having a weighing system, you can easily verify that your loads are within legal limits.
- ✓ **Safety:** Overloaded vehicles are more challenging to control and are at a higher risk of accidents. A weighing system helps maintain safe driving conditions, reducing the potential for accidents and enhancing road safety.
- ✓ **Efficiency:** Knowing the exact weight of your load allows you to optimize your payload. This ensures that you transport the maximum amount of cargo without exceeding weight limits, leading to improved efficiency and reduced transportation costs.
- ✓ **Reduced Wear and Tear:** Overloading a vehicle can lead to increased wear and tear on the vehicle's components, including tires, brakes, and suspension. A weighing system helps prevent overloading, extending the lifespan of your equipment and reducing maintenance costs.
- ✓ **Increased Productivity:** With a weighing system, you can efficiently load containers or bins to their full capacity, maximizing your productivity and reducing the need for multiple trips to transport the same amount of material.
- ✓ **Environmental Impact:** Reducing the number of trips required to transport materials due to accurate loading not only saves time and fuel but also reduces your carbon footprint and environmental impact.
- ✓ **Cost Savings:** By avoiding fines, reducing maintenance costs, improving fuel efficiency, and increasing productivity, a weighing system can lead to significant cost savings over time, making it a cost-effective investment.



Precaution:

Please be advised that the Hyva Load Cells are not certified for use in trade transactions.