

MOUNTING INSTRUCTIONS

TITAN EVO IN-CAB CONTROL

REVISIONS:

AB	15-10-2021	VP	POS 1 (PROPORTIONAL AIR CONTROL) REPLACED WITH NEW PART NO.
AA	30-11-2020	VP	DOCUMENT CREATION
REV	DATE	BY	COMMENTS

TITAN EVO IN-CAB CONTROL COMPONENTS

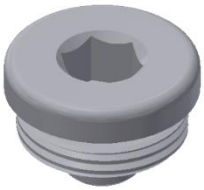
EACH IN-CAB CONTROL CONFIGURATION MAY HAVE DIFFERENT NUMBERS OF VALVES BELOW, WE SHOW ALL THE PARTS THAT ARE AVAILABLE FOR TITAN EVO IN-CAB CONTROL.

Pos.	Part Number	Description
01	14750442	PROPORTIONAL AIR CONTROL
02	14750455	TIP CONTROL AIR-3/2 BUTTON
03	14750460	TIP CONTROL AIR-4/3 BUTTON
04	SEE TABLE	VALVE MOUNTING KIT
4.1	INCLUDED IN KIT	G1/8" AIR PLUG WITH O RING
4.2	INCLUDED IN KIT	PLAIN WASHER M5
4.3	INCLUDED IN KIT	SCREW TCE M5x105 UNI 5931
4.4	INCLUDED IN KIT	O-RING 2087
4.5	INCLUDED IN KIT	SPECIAL SCREW TCE M5x53.5
05	34040415	AIR FITTING G1/8" - 4mm
06	34001012	AIR HOSE
07	SEE TABLE	CONNECTION PLATE
08	SEE TABLE	VALVE MTG BRACKET
09	AE030444	BASE PLATE ASSY
10	AE030443	STAND PLATE
11	3020034	CYL. HEAD BOLT M6x16
12	45110106	PLAIN WASHER M6
13	45110210	SPRING WASHER M10
14	45110110	PLAIN WASHER M10
15	45081015	LOCK NUT M10
16	45011014	HEX-HEAD BOLT M10x30
17	59000382	STICKER KIT

1



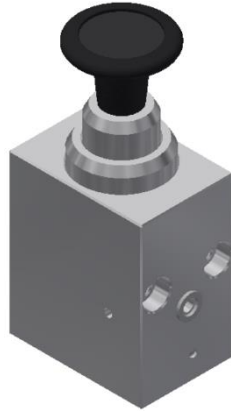
4.1



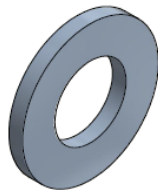
4.5



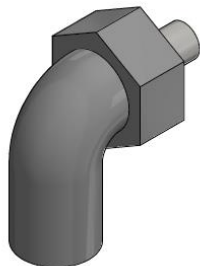
2



4.2



5



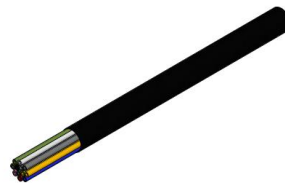
3



4.3



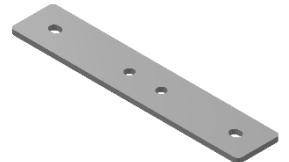
6



4.4



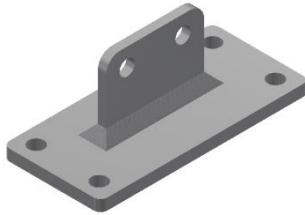
7



8



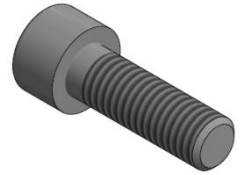
9



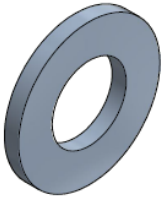
10



11



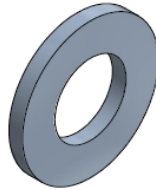
12



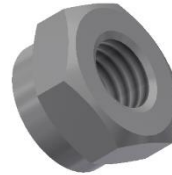
13



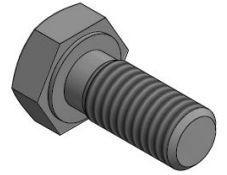
14



15



16



17



STEP 1: REPLACE EXISTING AIR FITTINGS WITH G1/8"x 4 mm AIR FITTINGS

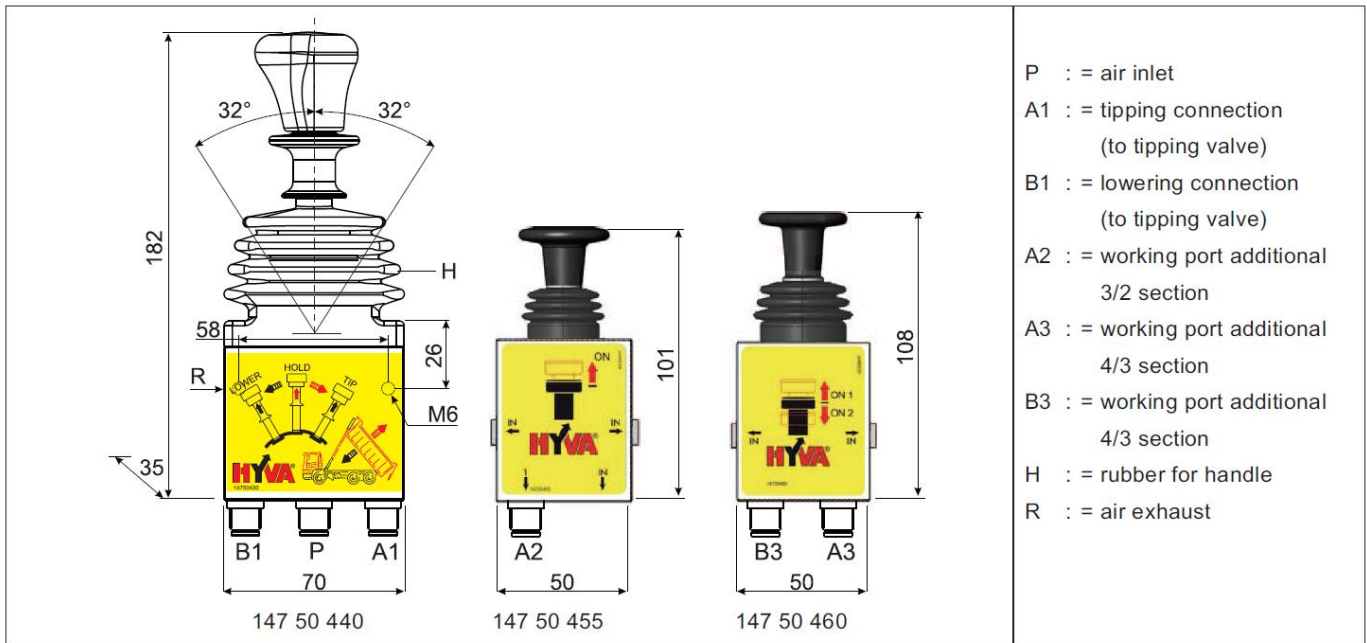


Figure 1

PART NO: 14750442

- REMOVE EXISTING A1 & B1 FITTING AND REPLACE IT WITH G 1/8"X 4 MM AIR FITTINGS (34040415).
- KEEP EXISTING AIR FITTING AT P PORT FOR AIR INLET.

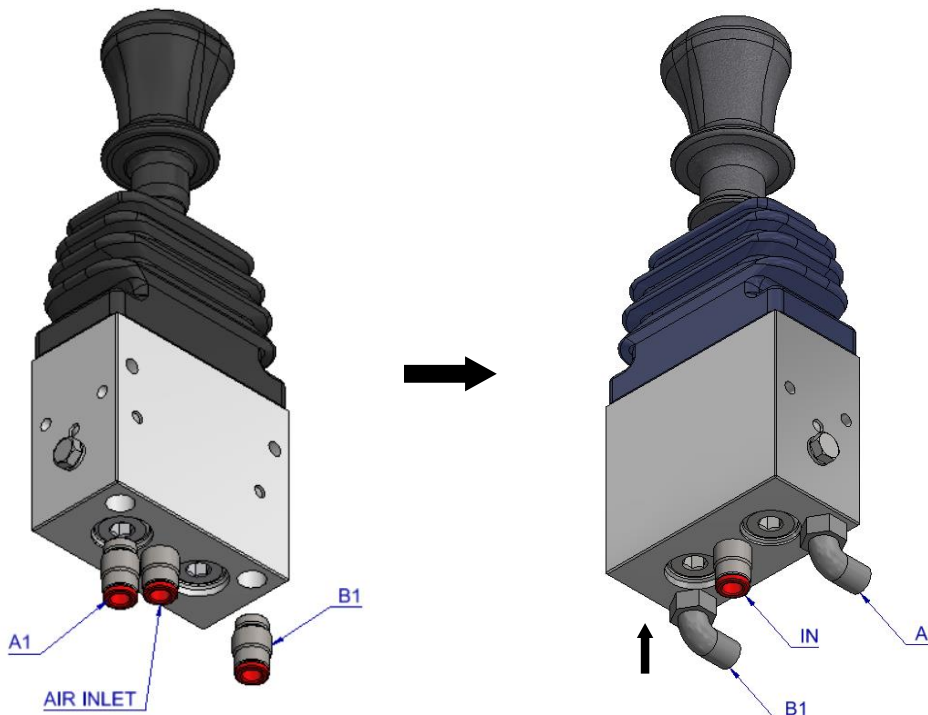


Figure 2

PART NO: 14750455

- REMOVE EXISTING AIR FITTING AT "IN" PORT AND PLUGGED IT WITH "G 1/8" AIR PLUG" (INCLUDED IN VALVE MOUNTING KIT)
- KEEP EXISTING AIR FITTING AT A2 PORT.

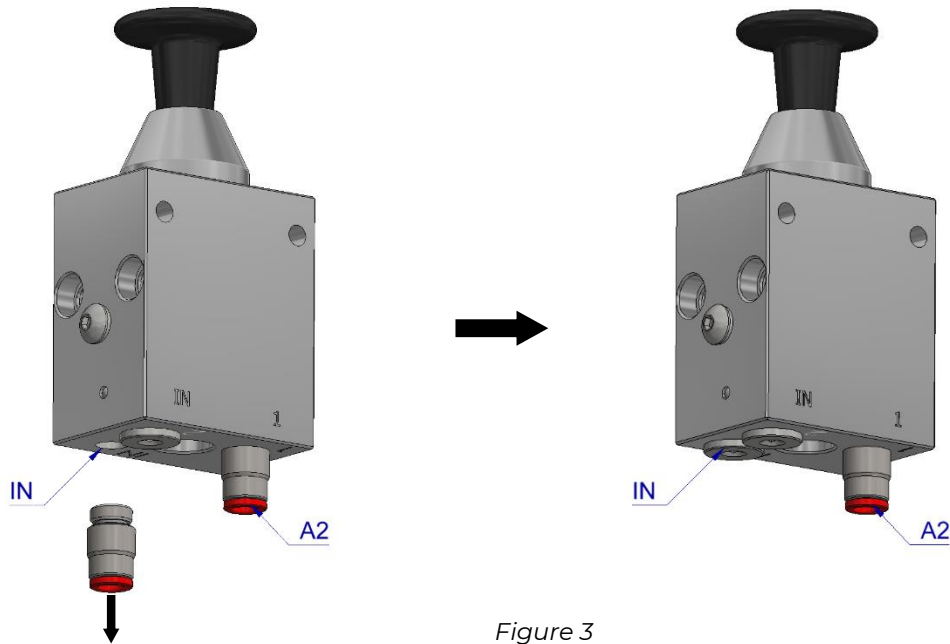


Figure 3

PART NO: 14750460

- REMOVE EXISTING A3 & B3 FITTINGS AND REPLACE IT WITH G 1/8"X 4 MM AIR FITTINGS (34040415).
- PLUGGED THE IN PORT WITH "G 1/8" AIR PLUG" (INCLUDED IN VALVE MOUNTING KIT)

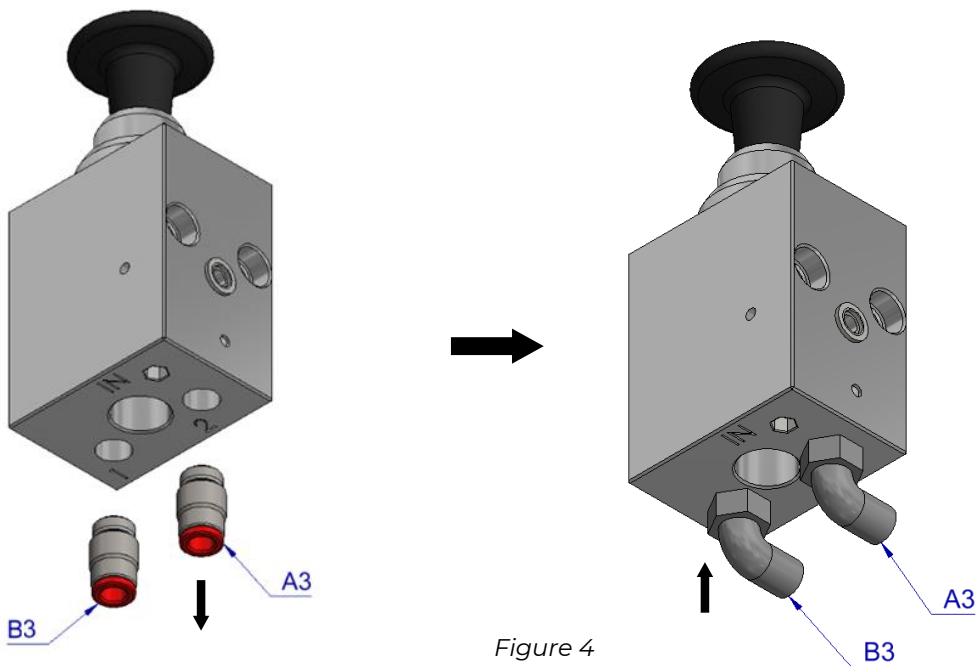


Figure 4

**STEP 2:
REMOVE ALLEN SCREWS M5 FROM ALL SECTIONS EXCEPT THE LAST
ONE IN THE ROW TO OPEN THE P-LINE (USE 2.5 MM HEXAGON KEY)**

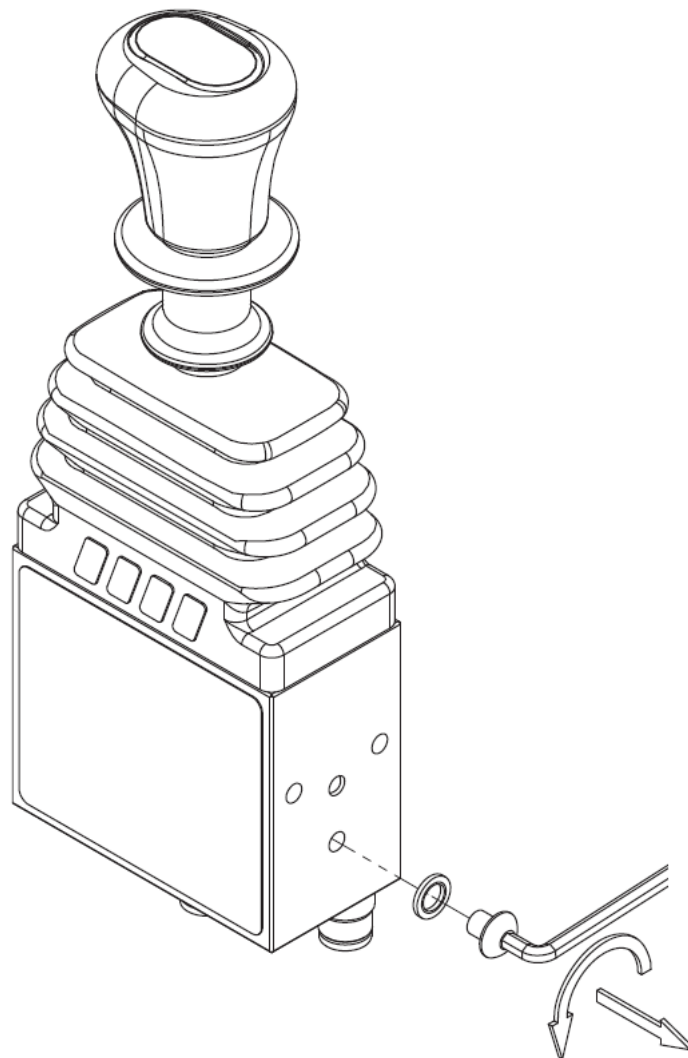


Figure 5

**STEP 3:
REMOVE THE DOWEL PRESENT IN THE O-RING SEAT (USE 2.5 MM
HEXAGON KEY)**

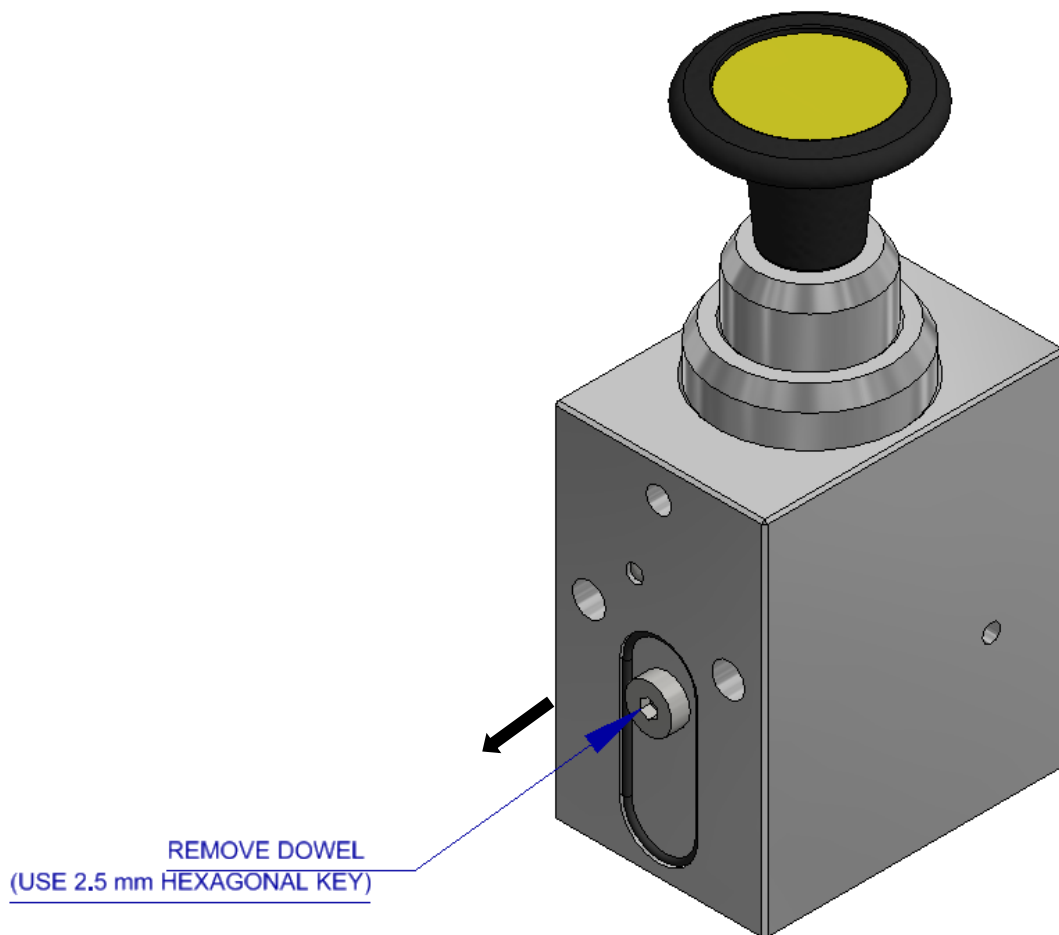


Figure 6

**STEP 4:
FIT THE O-RING (TO SEAL THE P-CONNECTION BETWEEN THE
SECTIONS) IN THE EXTRA SECTIONS**

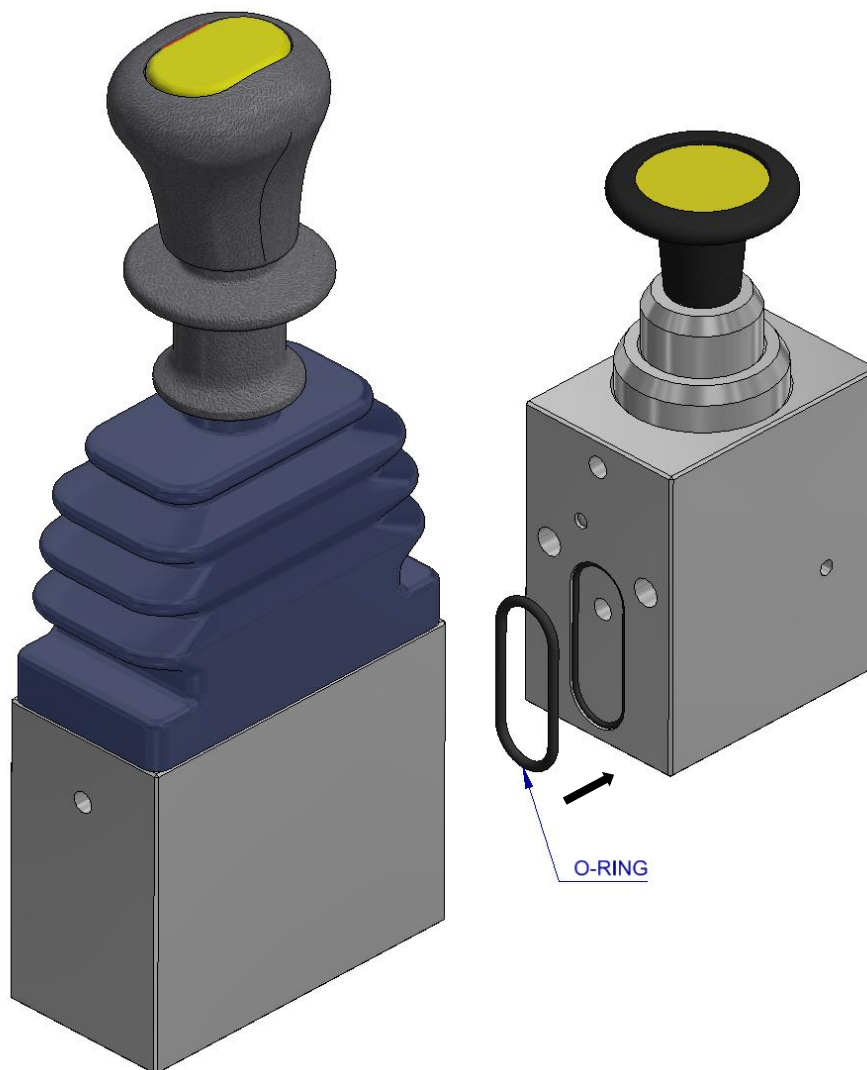


Figure 7

STEP 5:

SECURE THE OTHER SECTIONS TO MAIN SECTIONS USING THE SCREWS INCLUDED IN THE MOUNTING KIT. MAKE SURE THE O-RING IS POSITIONED CORRECTLY BEFORE TIGHTENING THE SCREWS.

NOTE: 3/2 AIR CONTROL VALVE (14750455) SHOULD BE MOUNTED AT THE END.

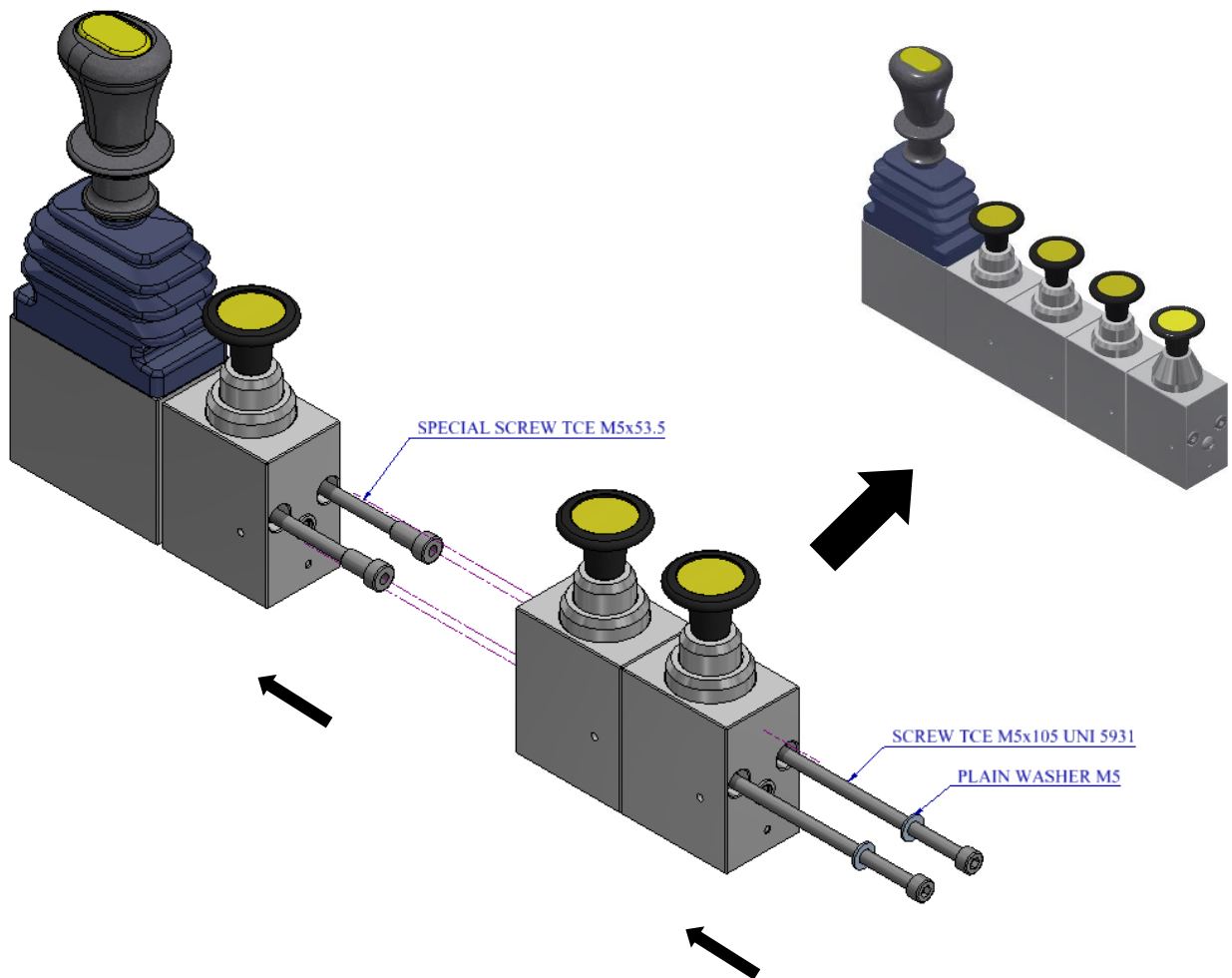


Figure 8

STEP 6:
MOUNT THE VALVE MOUNTING BRACKET BY USING THE M6 BOLTS.

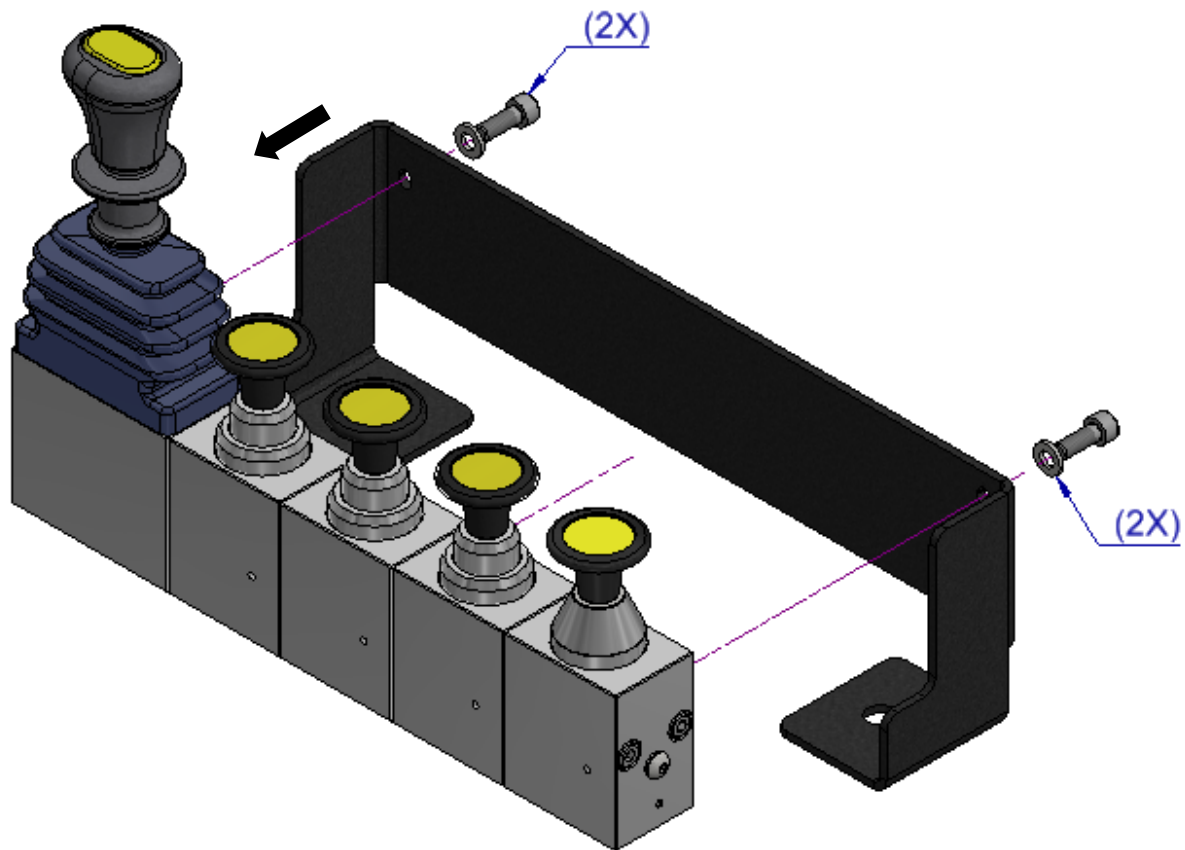


Figure 9

STEP 7: MOUNT THE STAND PLATE AND CONNECTION PLATE BY USING M10 BOLTS

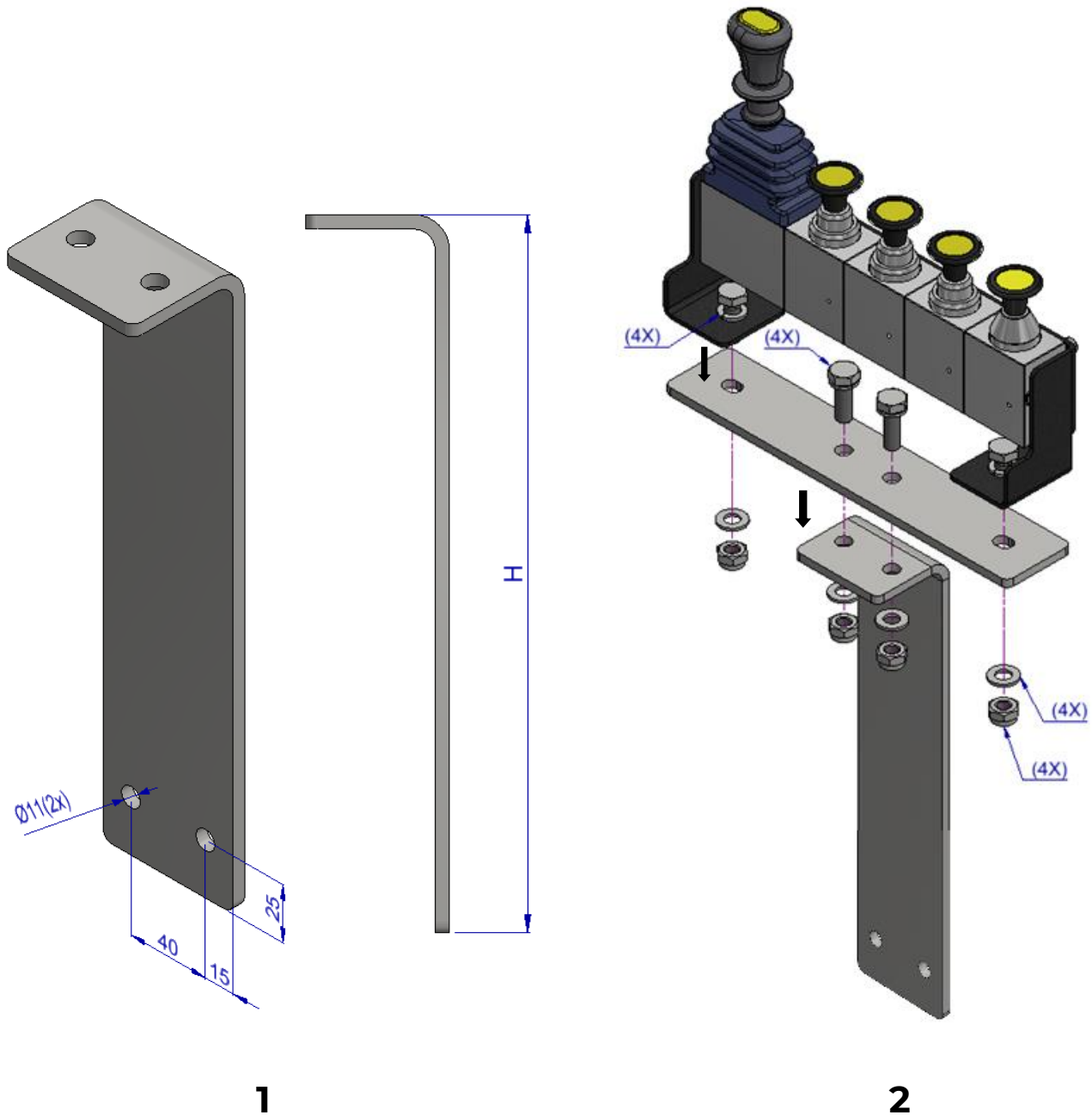


Figure 10

- ADJUST STAND PLATE HEIGHT (H mm) BY CUTTING THE PLATE FROM BOTTOM AND DRILL Ø11 mm (2x) HOLES ACCORDING TO THE DIMENSIONS GIVEN.

STEP 8: POSITIONING THE IN-CAB CONTROL

- DETERMINE THE INCAB MOUNTING POSITION INSIDE THE TRUCK CABIN.
- DRILL Ø11 mm (4x) HOLES AND POSITION THE BASE PLATE ASSEMBLY.
- FIX THE STAND PLATE WITH BASE PLATE ASSEMBLY BY USING M10 BOLTS.

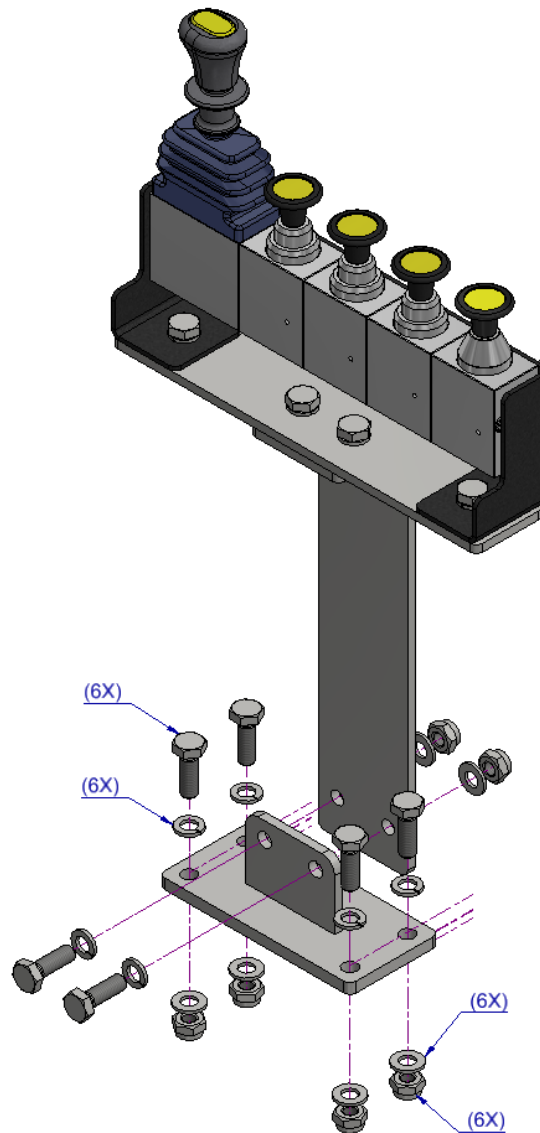


Figure 11

- NOW FIT THE IN CAB CONTROL AND DETERMINE THE LOCATION OF THE CABLE SHAFT.
- DRILL A HOLE WITH A MINIMUM DIAMETER OF 20MM AND ONCE THE 4MM MULTI COLORED PNEUMATIC HOSE HAS BEEN PASSED THROUGH, SEAL THE HOLE BOTH FROM ABOVE AND BELOW.
- MAKE SURE TO GUIDE THE HOSES AND THE ELECTRIC CABLES AROUND THE FRONT PIVOT OF THE CAB TO BE ABLE TO TILT THE CAB FOR SERVICE WITHOUT DISCONNECTING THE ELECTRIC AND PNEUMATIC CABLES.

- KEEP THE CABLES AWAY FROM HEAT SOURCES OR MOVING PARTS. THE CABLES SHOULD NOW BE LEAD TOWARDS THE VALVE BLOCK, MAKE USE OF THE CABLE BUNDLES OF THE VEHICLE ITSELF, AND HOLD THE LEADS IN PLACE EVERY 20CM OR SO WITH TIE WRAPS.

STEP 9: CONNECTING THE IN-CAB CONTROL AND PNEUMATICS

- CONNECT A SEPARATE 6 MM PNEUMATIC HOSE TO THE AUXILIARY AIR TANK (OR OTHER BODYBUILDER APPROVED PNEUMATIC CONNECTIONS OF THE TRUCK MANUFACTURER) TO THE IN-CAB CONTROL (AIR INLET) USING THE PROVIDED PUSH IN FITTINGS. YOU MAY CONNECT THE AIR OUTLET OF THE IN-CAB CONTROL TO A PNEUMATIC HOSE WHICH LEADS THE OUTLET AIR SOMEWHERE OUT OF THE CABIN. THIS SUPPLY IS SEPARATE FROM THE MULTI-COLOR HOSE WHICH IS USED TO OPERATE THE HYDRAULIC VALVES.
- NOW YOU CAN CONNECT THE 4MM MULTI CORE COLORED AIR TUBE TO HOOKLOADER VALVE BLOCK USING THE ALREADY MOUNTED PUSH IN FITTINGS. AS THERE ARE MANY VARIATIONS OF FUNCTIONS, THERE IS NO STRICT COLOR CODE USED FOR CONNECTING TO THE VALVE BLOCK. PLUG THE TUBES INTO THE PUSH IN FITTINGS SO THE FUNCTIONS OF THE CAB AIR CONTROL AND THE VALVE BLOCK RELATE TO EACH OTHER.
- A 3/2 BUTTON TIP AIR CONTROL VALVE IS PROVIDED IN THIS INCAB CONTROL KIT WHICH CAN BE USED FOR ENGAGING AND DISENGAGING THE PTO.
- TO MAKE A CONNECTION, CONNECT A SEPARATE 6MM PNEUMATIC HOSE TO THE A2 PORT (SEE STEP 1) AND THEN TO THE PTO. MAKE SURE THERE IS NO OTHER PTO SWITCH CONNECTED. THIS SUPPLY IS SEPARATE FROM THE MULTI-COLOR HOSE WHICH IS USED TO OPERATE THE HYDRAULIC VALVES.

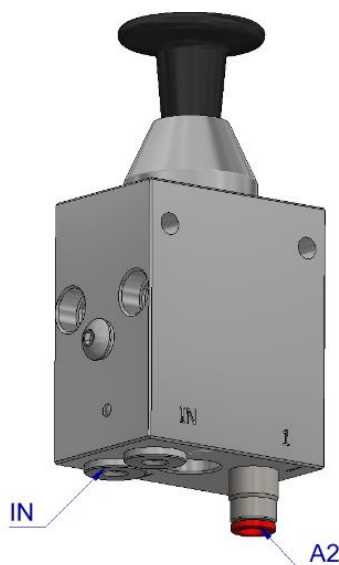


Figure 12

- IN MOST OF THE CASES ELECTRIC PTO SWITCH FITTED EITHER IN SIGNALLING DISPLAY OR WITH A STANDARD SWITCH FROM THE TRUCK MANUFACTURAR SO IN THAT CASE ALL PRTS FROM 3/2 BUTTON TIP AIR CONTROL VALVE (14750455) SHOULD BE PLUGED WITH "G 1/8" AIR PLUG" (INCLUDED IN VALVE MOUNTING KIT).

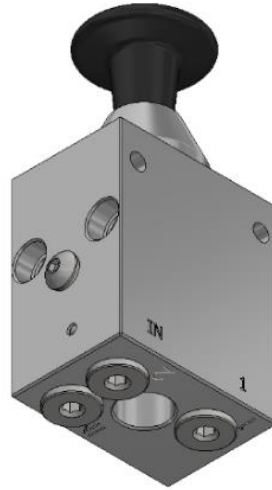


Figure 13

PART NUMBERS

	3 SECTION+PTO	4 SECTION+PTO	5 SECTION+PTO
PNEU. VALVE KIT	AE030411	AE030421	AE030431
CONNECTION PLATE	AE030425	AE030435	AE030445
VALVE MTG BRACKET	AE030439	AE030419	AE030440