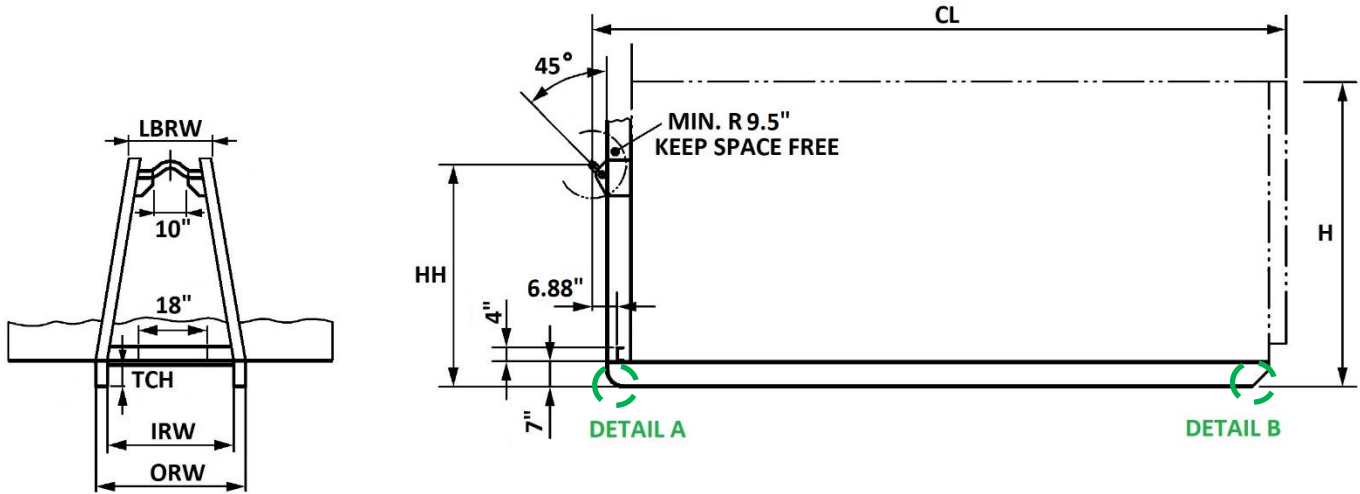


TITAN SKID INFORMATION

1. MAIN DIMENSIONS SKID



Model	T13/T22	T13/T22	T40	T44	T57
Hookheight	HH36	HH54	HH62	HH62	HH62
HH	35.44"	53.88"	61.81"	61.81"	61.81"

Lengths		
CL	Container Length	see table 1

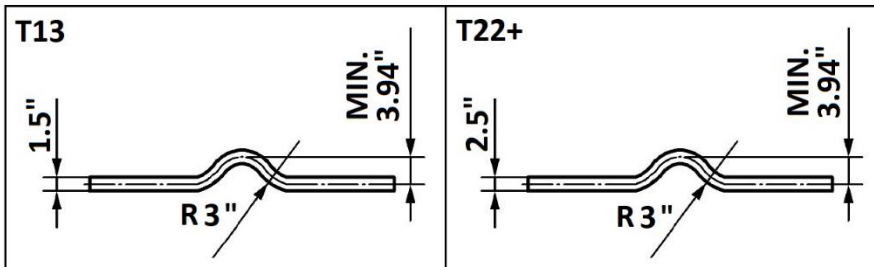
Rail		
LBRW	Lift beam rail width	model T13: 14" model T22/T40/T57 : 16"
IRW	Inner rail width	35.30" - 35.50"
ORW	Outer rail width	41.75" - 41.94"
TCH	Tunnel cont. height	minimal 5.94"

Stop block beam		
SBF	Stop block front	6.88"
SBH	Stop block height	4.00"
SBV	Stop block vertical	7.00"
SBW	Stop block width	minimal 18.00"

Lift bar details

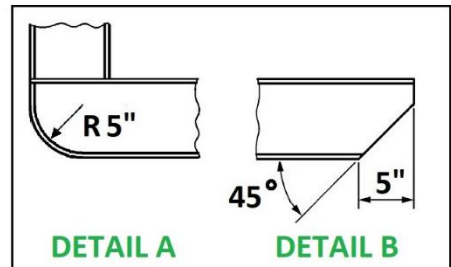
T13 systems:

T22/T40/T57 systems:



Rail details

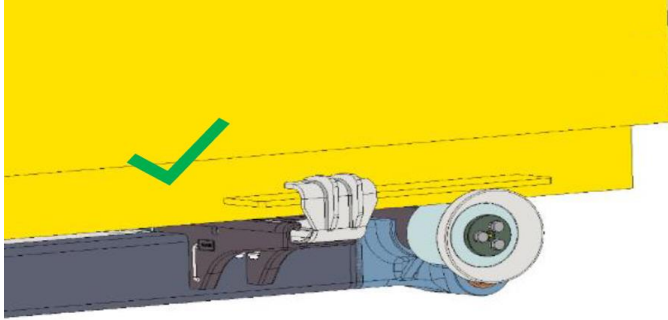
All:



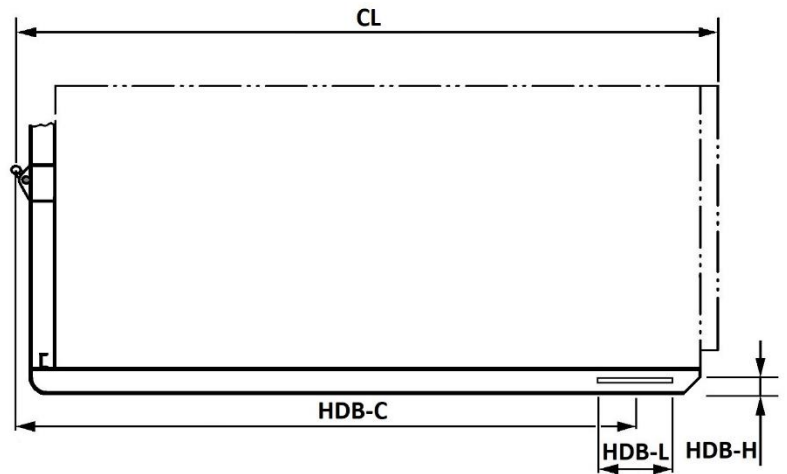
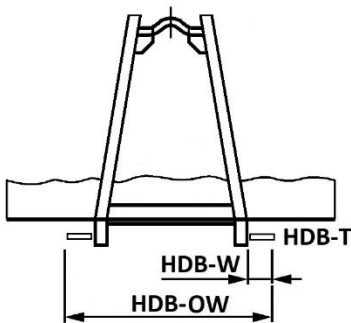
2. SKID TYPE 'SLIDE THROUGH CONTAINER LOCKS'

Skid suitable for:

Titan hookloader inclusive option OT10108 Mechanical ANSI Lock



Hold down bar dimensions

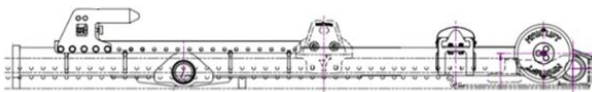
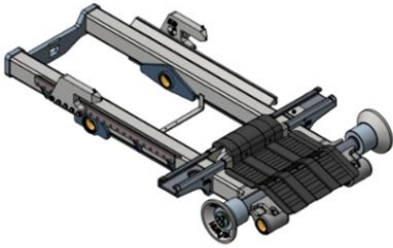


CL	Container Length	see table 1
HDB-C	Hold down bar center location	see table 2
HDB-T	Hold down bar thickness	0.75"
HDB-W	Hold down bar width	4.00"
HDB-OW	Hold down bar outer width	max. 48.96"
HDB-H	Hold down bar height	2"
HDB-L	Hold down bar length	min. 20"

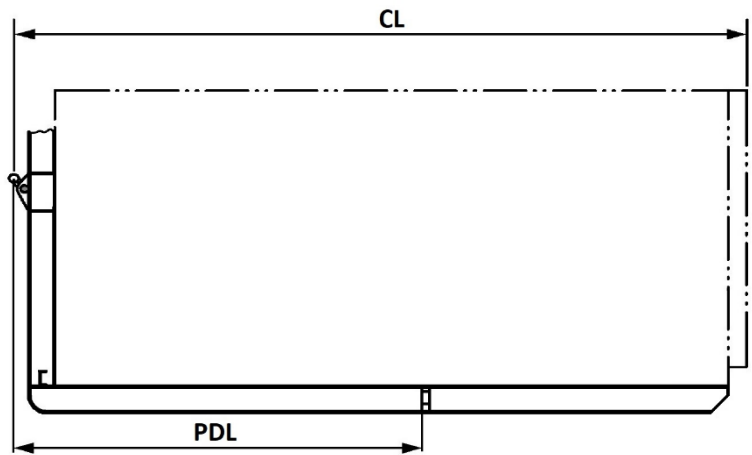
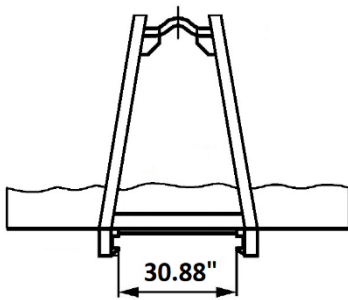
3. SKID TYPE 'STATIONARY HOLD DOWNS'

Skid suitable for:

Titan hookloader inclusive option OT10109 DIN locking



Container DIN locking dimensions



CL Container Length see table 1

PDL Position DIN-locking see table 3

Container DIN Locking dimensions

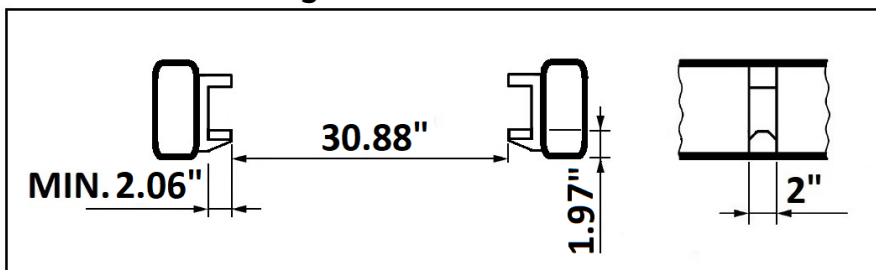


TABLE 1 – CONTAINER LENGTHS

Hyva Hookloader System length Type	System length L	Container CL min	CL max
Type 29	114"	8' 0"	11' 10"
Type 34	134"	10' 0"	13' 5"
Type 38	150"	10' 8"	14' 9"
Type 41	161"	11' 4"	15' 9"
Type 42	165"	11' 6"	16' 1"
Type 45	177"	12' 2"	17' 1"
Type 47	185"	12' 6"	17' 9"
Type 49	193"	13' 1"	18' 4"
Type 51	201"	13' 7"	18' 10"
Type 53	209"	13' 9"	19' 8"
Type 55	217"	14' 5"	20' 4"
Type 57	224"	15' 1"	20' 12"
Type 60	236"	15' 3"	21' 10"
Type 62	244"	16' 1"	22' 8"
Type 65	256"	16' 1"	23' 5"
Type 67	264"	17' 3"	24' 1"

TABLE 2 – HOLD DOWN BAR CENTER LOCATION

Hyva Hookloader System length Type	System length L	Hold down bar HDB-C
Type 29	114"	94.3"
Type 34	134"	114.3"
Type 38	150"	130.3"
Type 40	157"	137.3"
Type 41	161"	141.3"
Type 42	165"	145.3"
Type 45	177"	157.3"
Type 47	185"	165.3"
Type 48	189"	169.3"
Type 49	193"	173.3"
Type 51	201"	181.3"
Type 53	209"	189.3"
Type 55	217"	197.3"
Type 57	224"	204.3"
Type 60	236"	216.3"
Type 62	244"	224.3"
Type 65	256"	236.3"
Type 67	264"	244.3"

TABLE 3 – POSITION DIN LOCKING

Container CL	DIN locking PDL (DIN)
173,25"	103.94"
183,06"	108.88"
192,88"	113.75"
202,75"	118.75"
212,63"	123.30"
222,44"	128.56"
232,25"	133.44"
242,12"	138.38"
251,94"	143.31"
261,81"	148.25"
271,63"	153.13"
281,50"	158.06"
291,31"	163.00"
299,25"	163.00"
307,13"	163.00"