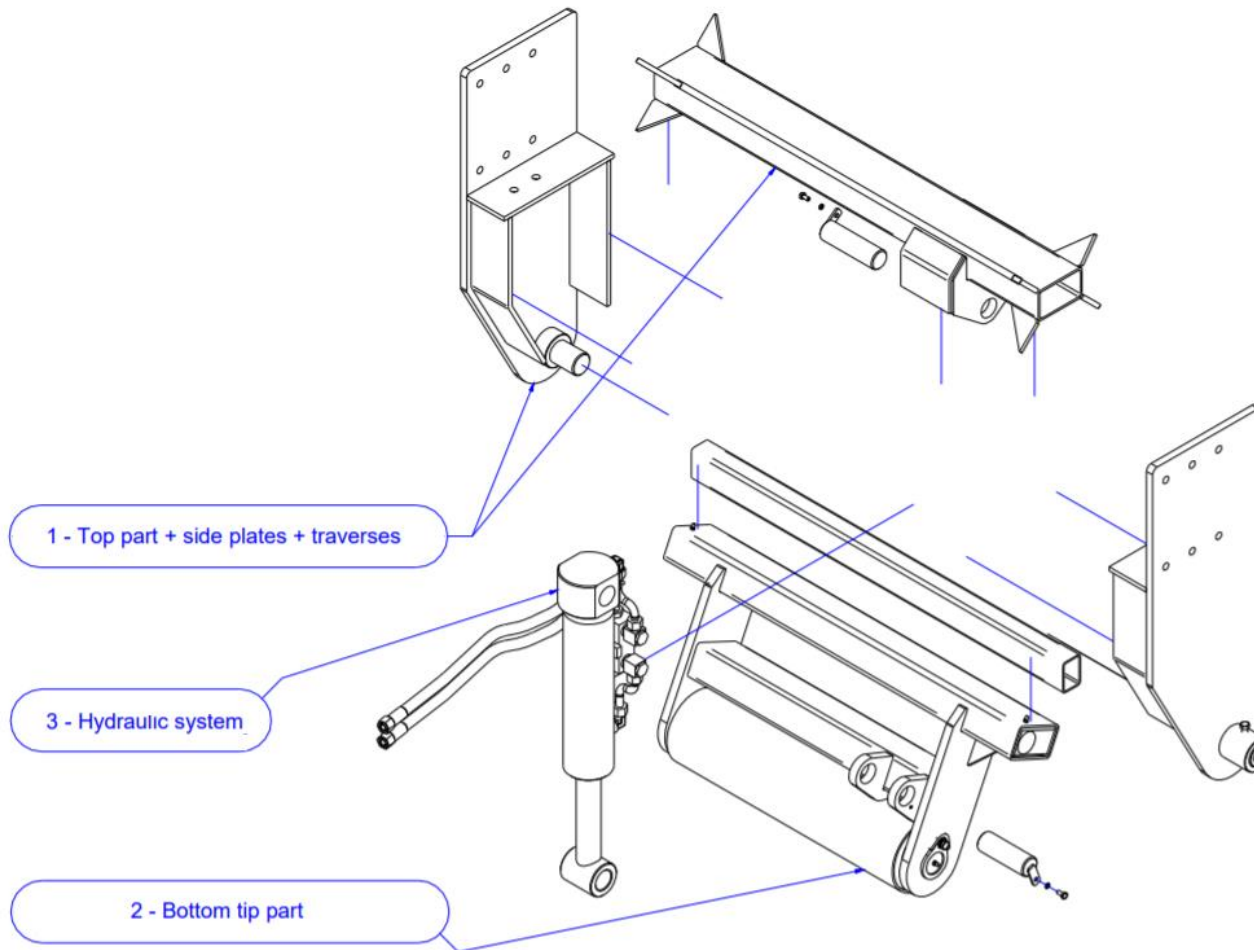


# **SPARE PARTS CATALOGUE**

<b>VERSION HISTORY</b>		
		1/1

SL. No	Version	Date	Description	Person	Chk by
01	0.1	03-11-2020	NEW DOCUMENT	T.K	P.P

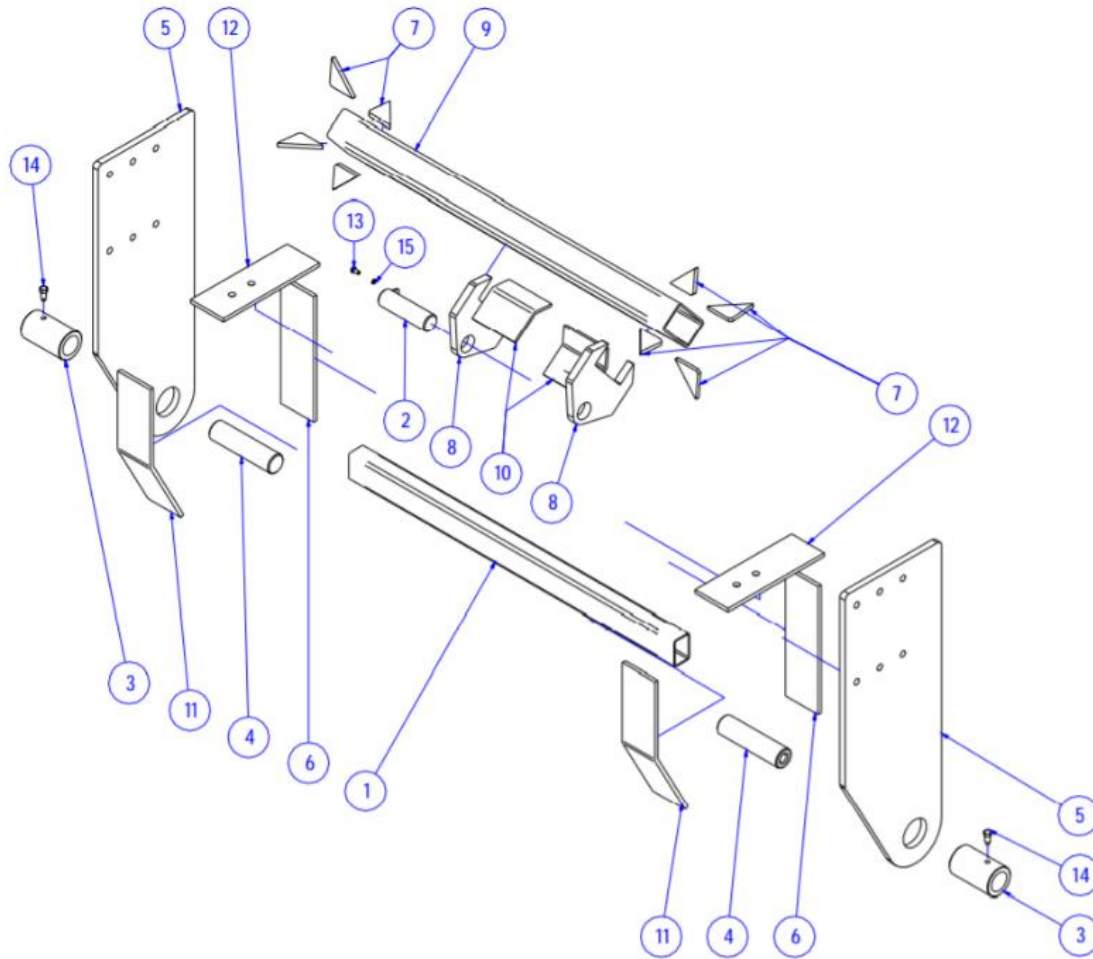
**STABILIZER ROLLER OVERVIEW**



**TOP PART + SIDE PLATES + TRAVERSES**

**Part**

**1/3**

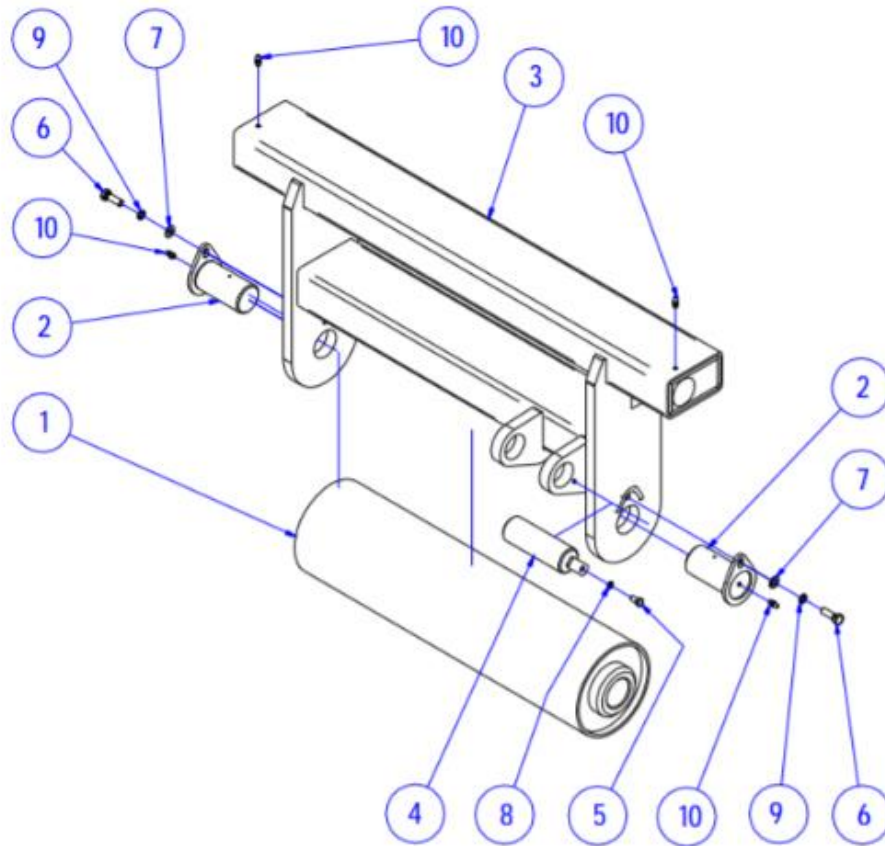


Pos.	Part Number	Q.ty	Description
1	320900006	1	Stachion
2	340070055	2	Pin
3	320930204	2	Bushing
4	320070220	2	Pin
5	310020139	2	Top Side
6	310950011	2	Face
7	311440403	8	Reinforcement
8	311240016	2	Fixing lug – Upper
9	320660015	1	Gross – Beam
10	310770320	2	Cover Sheet
11	310680037	2	Flange
12	310090303	2	Base plate

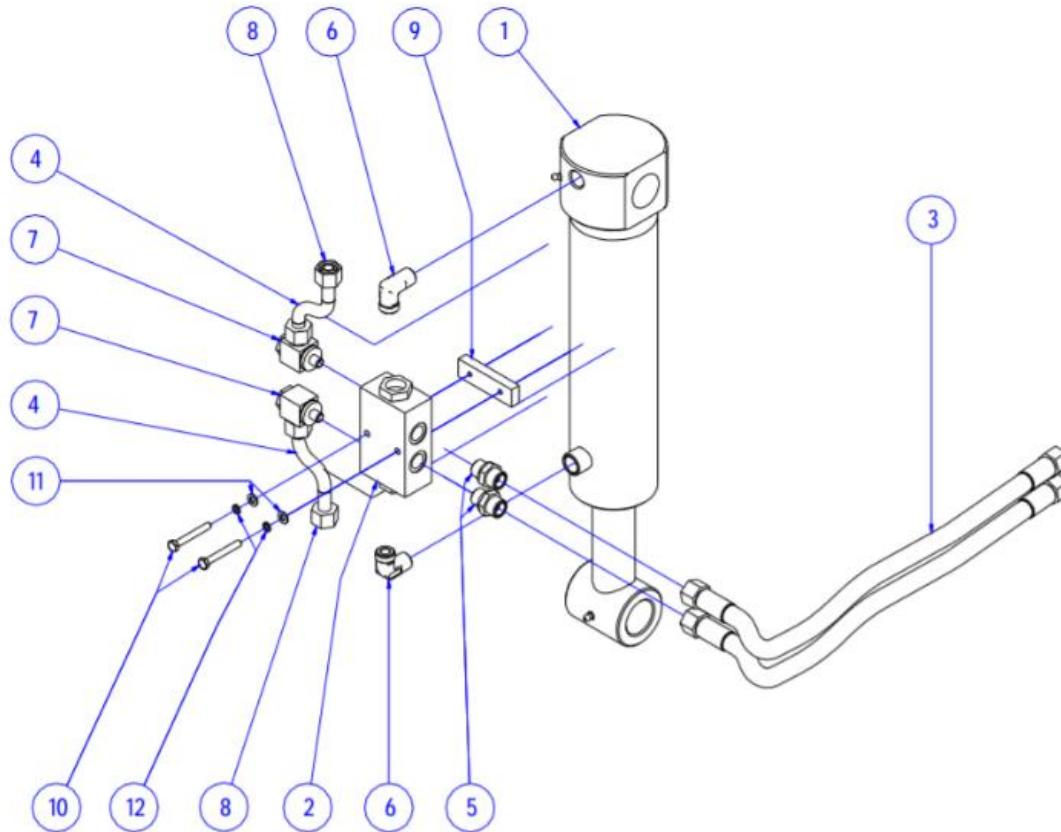
**BOTTOM TIP SEGMENT**

**Part**

**2/3**



Pos.	Part Number	Q.ty	Description
1	341180005	1	Main Roll
2	340070030	2	Pin
3	340880018	1	Swing arm
4	340070054	1	Pin
5	120010127	1	Bolt
6	120010123	2	Bolt
7	120090013	2	Pad
8	120090007	1	Pad
9	120090013	2	Pad
10	120160020	4	Grease Cup



Pos.	Part Number	Q.ty	Description
1	210080870	1	Cylinder
2	210110040	1	Check Valve
3	210030180	2	Hose
4	110410138	2	Pipe
5	210620300	2	Coupling
6	210650030	2	Coupling
7	210720050	2	Eye
8	210600020	4	Nut
	210610010	4	Ring
9	210720050	2	Base Plate
10	120010287	2	Bolt
11	120090005	2	Cup
12	120090007	2	Cup