



ASSEMBLY INSTRUCTIONS AND USER MANUAL


Table of Contents

1.	GENERAL INFORMATION.....	3
2.	GENERAL INSTRUCTIONS.....	3
3.	PARTS OF THE RADIO CONTROL KIT.....	4
4.	ASSEMBLY INSTRUCTIONS.....	6
5.	USER MANUAL.....	8
6.	ELECTRICAL SCHEMATIC.....	10
7.	PNEUMATIC CONNECTION WITHOUT RADIO CONTROL KIT.....	11

1. GENERAL INFORMATION

- With this kit it is possible to tip either manually with the standard pneumatic control in cabin or remotely with the radio remote control.
- Maximum pneumatic working pressure 12 bar for both possibilities.

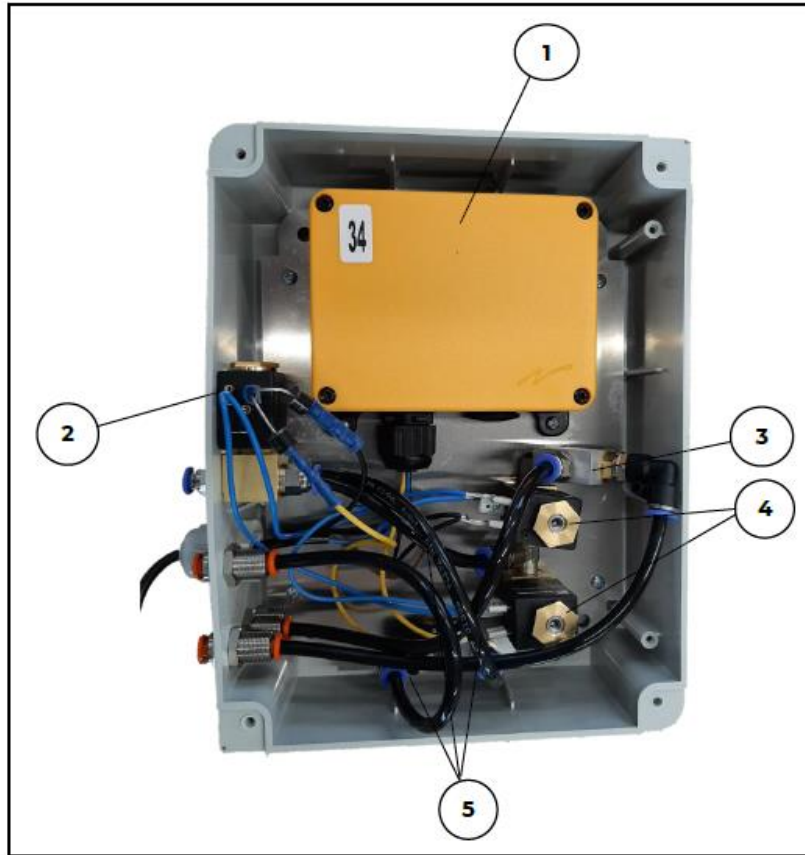
2. GENERAL INSTRUCTIONS

- Keep the product free from oil and water during assembly.
- Read the enclosed radio transmitter safety manual.
- Familiarize with the working of the kit before using it.
- Check the parts have not been damaged during shipment.
- Work in clean area.
- Never use hammer.
- Pay attention when you see this symbol again. 

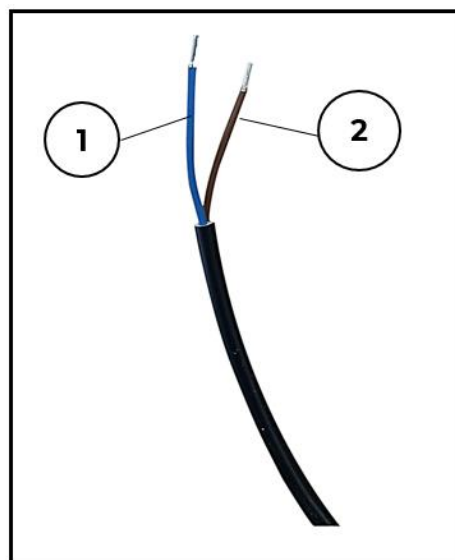
3. PARTS OF THE RADIO CONTROL KIT



No.	Description
01	Tipping button
02	Power on button
03	Power off/Emergency stop button
04	Lower button
05	LEDs (Red)
06	LED (Green and Red)
07	LEDs (Red)
08	Clip
09	On/Off switch (Interrupts the power from the battery)



No.	Description
01	Receiver
02	Emergency stop relay
03	Pneumatic valves
04	Electrical actuator/solenoid
05	Hoses



01	Blue (-ve)
02	Brown (+ve)

4. ASSEMBLY INSTRUCTIONS

4.1 PREPARATION

- Mount the box on the truck on a well protected position. Protected from outside forces, vibration and splashing water.
- Read the manufacturer's instructions enclosed in the transmitter box.
- We advise to mount a safety switch (connecting the control box to the electric power supply) to prevent undesired actions via the remote control (Ex: Accidental tipping while driving).
- Check the battery in the remote control unit (see "Manufacturer's instructions enclosed in the transmitter box" for more information). Battery type: 1.5V AAA/LR03.
- Before the assembly of radio control, make sure the in-cabin tip control works properly and refer to the air control mounting instructions for in-cabin mounting.
- A fuse is required to connect the wires to the battery.
- Familiarize with the schematic and working of the radio control kit.

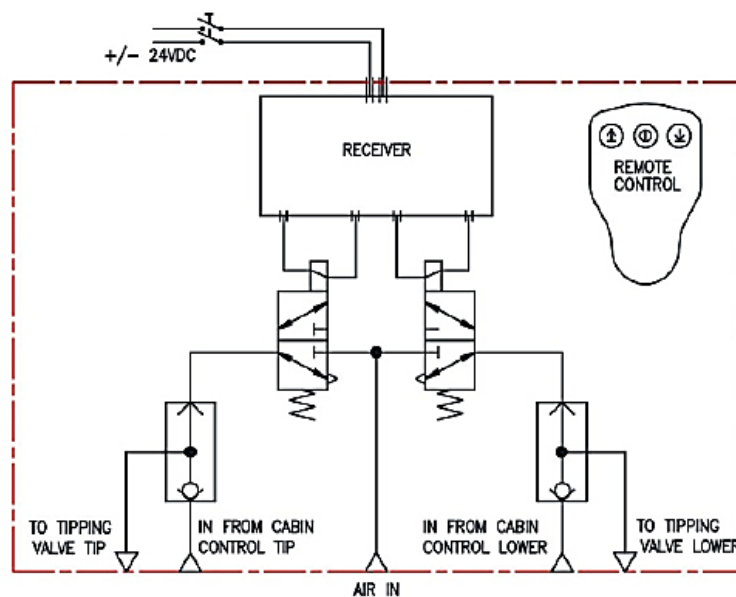


Figure 1: Schematic diagram

4.2 ASSEMBLY

- Connect the electrical wires to +ve (Red/Brown) and -ve (Blue) protected by a fuse through a switch to the battery. Read the manufacturer's instructions enclosed in the transmitter box.
- We strongly advise you to connect the wires through a switch and keep it off during driving.

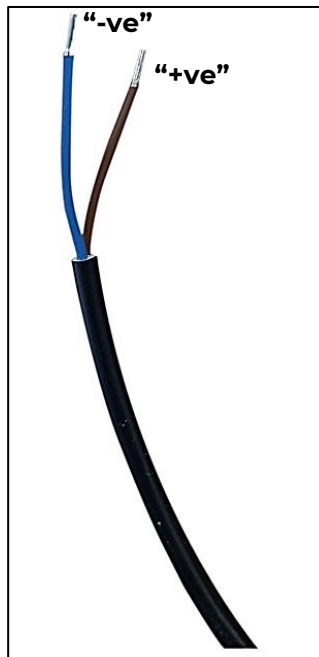


Figure 2 : Wires

- Connect the pneumatic hoses according to the system lay-out shown in **Figure 1** .

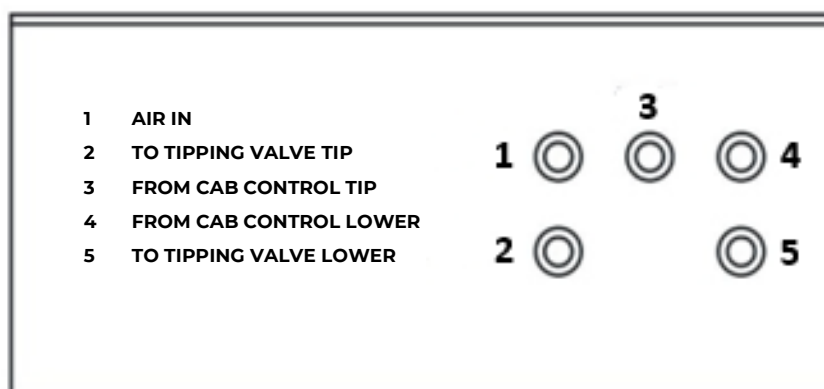
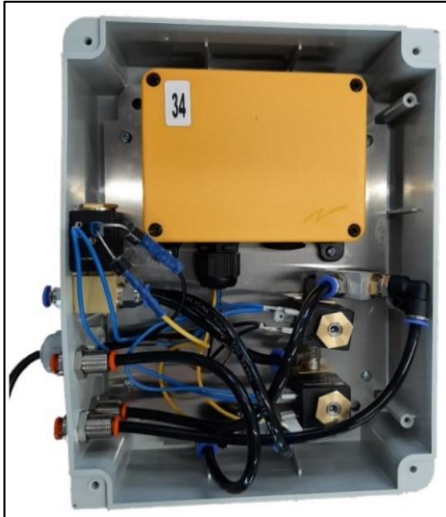


Figure 3 : Pneumatic Hose connections on the box

- Keep the hoses away from sharp objects, moving parts, exhaust and compression lines. Always use rubber grommets to protect air tubes. For trouble free life of the entire pneumatic system, the air system must be free from water/fluids.
- Keep the air hoses as short as possible and not twisted.
- Keep the wires protected from external atmosphere and in a safe place.

5. USER MANUAL

5.1 GENERAL



RECEIVER BOX



RADIO TRANSMITTER

NOTE:

Radio transmitter of air control is available as spare and can be ordered separately.

- Before you use your tipper, you should familiarize yourself with the working of the whole tipping hydraulic system. You should read the official tipper manual fully to ensure safe and effective use of your tipper.
- Before using the remote control, always check that the cabin interior pneumatic control is in the neutral position **Figure 4** . ⚠
- We strongly recommend that you disconnect the power supply from the receiver box using the safety switch while driving. This is to avoid accidental tipping. We also recommend that you switch off the power supply to the device when working with the cabin interior pneumatic control. ⚠
- Keep an extra battery (back up) set at hand (3x AAA /LR03) see instruction manual for further information.
- The remote control is spray water protected (IP65) – splash resistant.
- Check for leakages of air supply and proper connections before regular use.
- The tipping is actuated after the engagement of the PTO, which is done in cabin and cannot be controlled by the radio remote.



Figure 4 : Neutral position

5.2 BUTTON INSTRUCTIONS

Arrow up/Arrow down : You need to keep pushing the tip/lower buttons otherwise it will stop. Hold to perform the action.

On/Off : Press and release for the ON/Off application (Do not hold).

The off button and emergency stop button is the same. Press once in any position to emergency stop the tipping/lowering.

6. ELECTRICAL SCHEMATIC

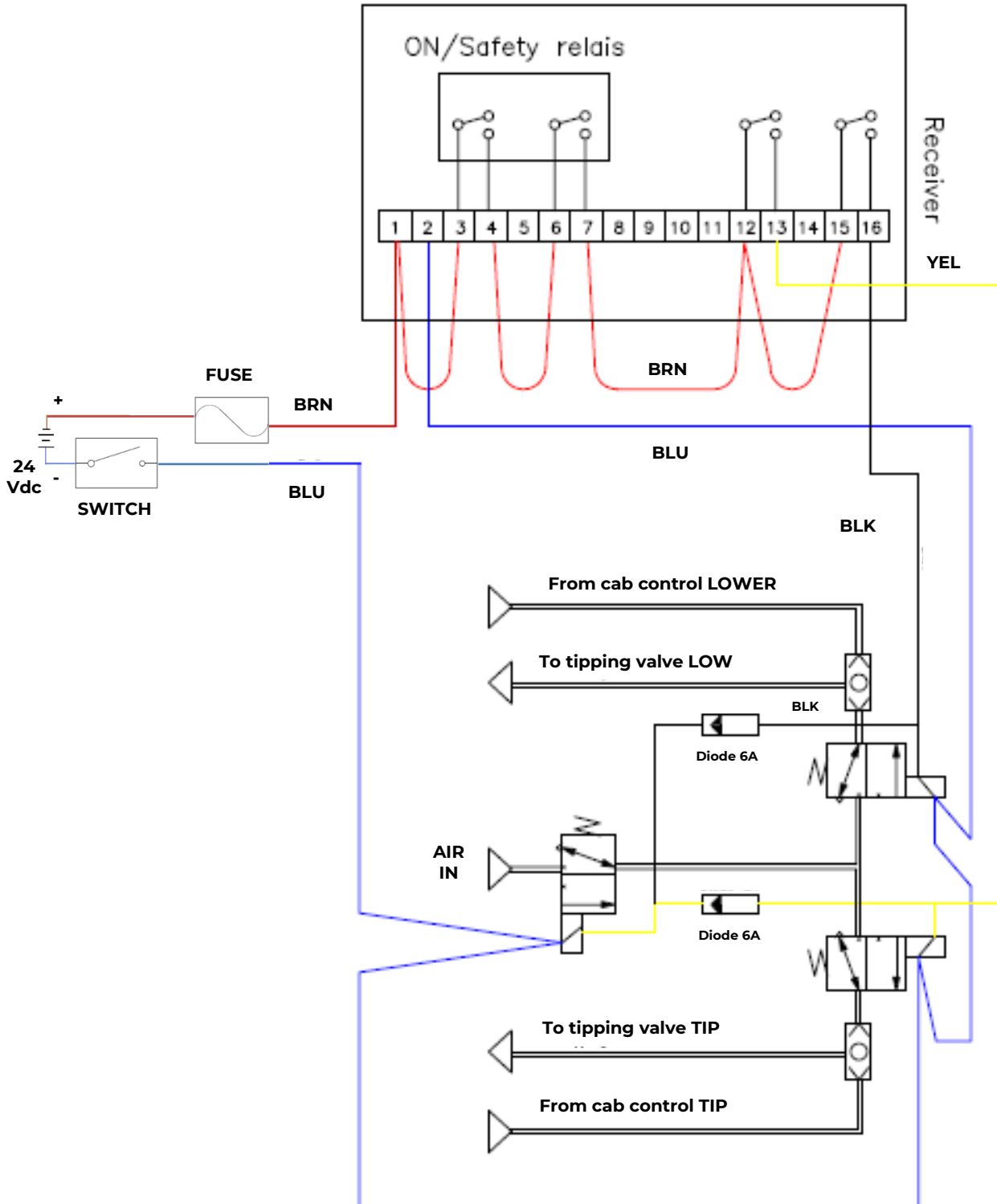


Figure 5: Wiring diagram

7. PNEUMATIC CONNECTION WITHOUT RADIO CONTROL KIT

