



CONVERTIBLE HEAVY DUTY FIFTH WHEEL COUPLING



BUSINESS UNIT
COMPONENTS



CONVERTIBLE HEAVY DUTY FIFTH WHEEL COUPLING

Hyva FW20 and FW21 are specially designed for heavy duty market applications, with **higher vertical load**, **strong carrying capacity** and **high safety performance**.

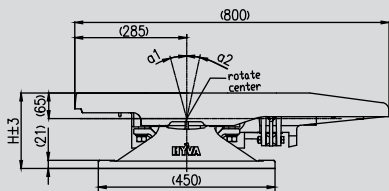
The Fifth Wheel family includes two convertible models, a 3.5" and a 2" version.

PRODUCT FEATURES

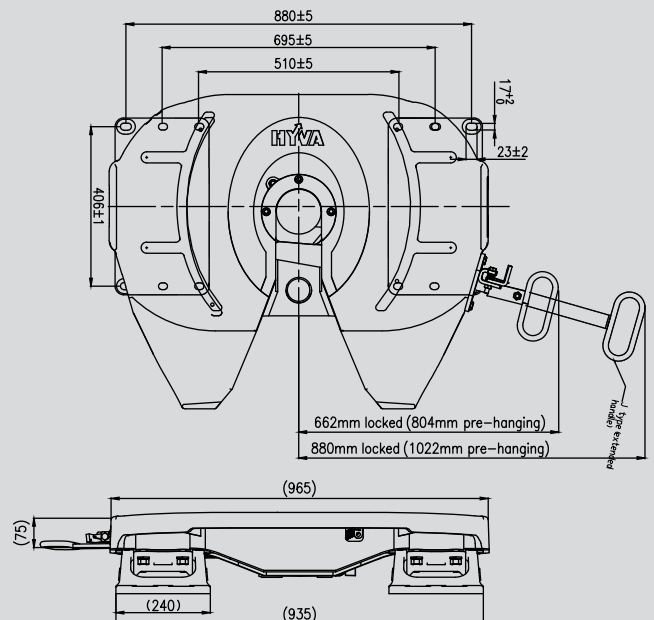
- Special reinforced Hyva design for Fifth Wheel plate
- The rubber bearings are suitable for tough road conditions, shock-absorbing and maintenance-free
- Retrofittable from 2" or 3½", only the wear ring and locking jaw have to be exchanged
- Reinforced cast pedestal structure, easy disassembly and replacement of rubber bearings
- Approved according ECE R55-02 regulation ECE



SPECIFICATIONS



PRODUCT TYPE	FW20	FW21
ORDER NO.	FW2016000	FW2116000
	FW2019000	FW2119000
	FW2025000	FW2125000
Kingpin	3.5"	2"
Imposed load (t)	38.5	25
D value (kN)	260	230
Mounting height (mm)	160/190/250	160/190/250
Weight (kg)	181/187/210	182/188/211
Bearing arrangement	Rubber bearing	Rubber bearing
ECE R55 approval	E32-55R02-0215	E32-55R02-0216



PART LIST



FIFTH WHEEL COUPLING PART LIST

No.	Description	Part no.	Qty.	Remark
1	902 Wearing ring kit 3.5"	HSF00030	1	Wearing ring 3.5" + Hexagon socket screw
	902 Wearing ring kit 2"	HSF00031	1	Wearing ring 2" + Hexagon socket screw
2	902 Lock jaw kit 3.5"	HSF00032	1	Lock jaw 3.5" + Small tension spring
	902 Lock jaw kit 2"	HSF00033	1	Lock jaw 2" + Small tension spring
3	902 locking bar	HSF00034	1	-
4	902 Lever plate	HSF00035	1	-
5	902 Pull handle	HSF00036	1	-
6	902 Adjusting screw kit	HSF00037	1	Adjusting screw + Hexagon head nut
7	Handle groove plate kit	HSF00038	1	Handle groove plate + Hexagon bolt + Lock nut
8	Latch kit	HSF00039	1	Latch + Torsion spring + Flat washer + Hexagon head screw + Hexagon head nut
9	Cover plate	HSF00040	2	-
10	Rubber bushing kit	HSF00041	2	Upper rubber bearing + Lower rubber bearing
11	902 Locking bar bolt kit	HSF00042	1	Locking bar bolt + Spacer sleeve + Big torsion spring + Flat washer + Split pin
12	Lever cover plate kit	HSF00043	1	Lever cover plate + Hexagon bolt + Flat washer + Elastic washer
13	902 Locking jaw bolt	HSF00044	1	-
14	90 Double Spring kit	HSF00045	1	Outer tension spring + Inner tension spring
15	160mm Pedestal	HSF00048	2	Applied in fifth wheel couplings type FW20 and FW21 160 mm height
	190mm Pedestal	HSF00047	2	Applied in fifth wheel couplings type FW20 and FW21 190 mm height
	250mm Pedestal	HSF00049	2	Applied in fifth wheel couplings type FW20 and FW21 250 mm height
16	Lock jaw greasing kit	HSF00050	1	Dust cap + Inner and outer wire joint + Grease nuzzle + Thin nut + Grease tube + Union joint + Sealing ring
17	Grease supply kit	HSF00051	1	Dust cap + Inner and outer wire joint + Grease nuzzle + Thin nut + Grease tube + Union joint + Positioning distributor + Sealing ring + Combination screw
18	Release lever kit	HSF00052	1	Release lever + Small tension spring
19	Release lever screw bolt kit	HSF00053	1	Hexagon bolt + Lock nut
20	Cover plate screw bolt kit	HSF00054	8	Hexagon bolt + Elastic washer



 FOUNDED IN 1979	 14 PRODUCTION FACILITIES	 20,000 CUSTOMERS	 110 COUNTRIES	 +30 SUBSIDIARIES	 +3,500 EMPLOYEES
---	--	--	---	---	--

Hyva is a leading provider of innovative and highly efficient transport solutions for commercial vehicles used in transport, construction, mining, materials handling and environmental service industries.



**BUSINESS UNIT
COMPONENTS**



**BUSINESS UNIT
CRANES**



**BUSINESS UNIT
RECYCLING**



**BUSINESS UNIT
ELECTRIFICATION**

For more information on Hyva please visit www.hyva.com

Hyva Holding B.V.
 Antonie van Leeuwenhoekweg 37
 2408 AK Alphen aan den Rijn
 The Netherlands
 Telephone: +31 (0)172 - 42 35 55
info@hyva.com
www.hyva.com



or follow us on:






Disclaimer: Products shown in this brochure might be partially equipped and may not correspond to the standard version. Country-specific regulations must be observed. Dimensions may vary. This brochure could be subjected to technical changes, errors and translation mistakes.