



CONVERTIBLE HEAVY DUTY FIFTH WHEEL COUPLING



BUSINESS UNIT
COMPONENTS



CONVERTIBLE HEAVY DUTY FIFTH WHEEL COUPLING

Hyva FW20 and FW21 are specially designed for heavy duty market applications, with **higher vertical load**, **strong carrying capacity** and **high safety performance**.

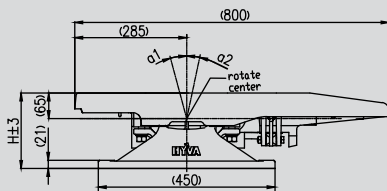
The Fifth Wheel family includes two convertible models, a 3.5" and a 2" version.

PRODUCT FEATURES

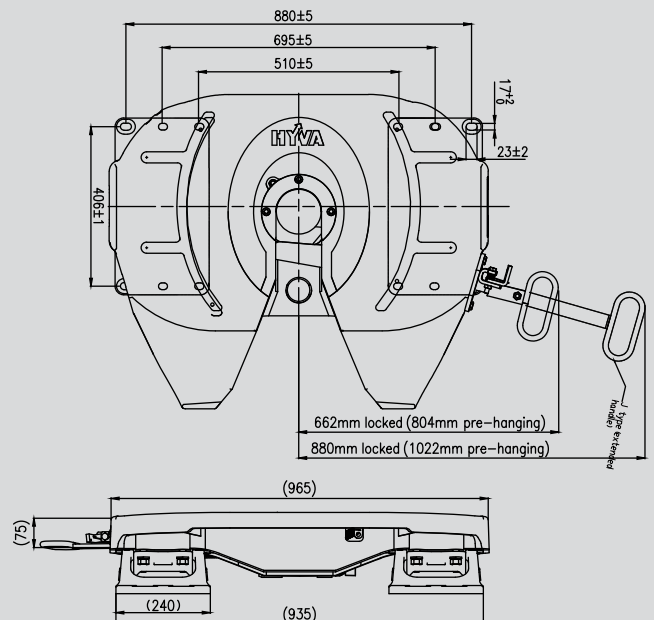
- Special reinforced Hyva design for Fifth Wheel plate
- The rubber bearings are suitable for tough road conditions, shock-absorbing and maintenance-free
- Retrofittable from 2" or 3½", only the wear ring and locking jaw have to be exchanged
- Reinforced cast pedestal structure, easy disassembly and replacement of rubber bearings
- Approved according ECE R55-02 regulation **ECE**



SPECIFICATIONS



PRODUCT TYPE	FW20	FW21
ORDER NO.	FW2016000	FW2116000
	FW2019000	FW2119000
	FW2025000	FW2125000
Kingpin	3.5"	2"
Imposed load (t)	38.5	25
D value (kN)	260	230
Mounting height (mm)	160/190/250	160/190/250
Weight (kg)	181/187/210	182/188/211
Bearing arrangement	Rubber bearing	Rubber bearing
ECE R55 approval	E32-55R02-0215	E32-55R02-0216



PART LIST



FIFTH WHEEL COUPLING PART LIST

No.	Description	Part no.	Qty.	Remark
1	902 Wearing ring kit 3.5"	HSF00030	1	Wearing ring 3.5" + Hexagon socket screw
	902 Wearing ring kit 2"	HSF00031	1	Wearing ring 2" + Hexagon socket screw
2	902 Lock jaw kit 3.5"	HSF00032	1	Lock jaw 3.5" + Small tension spring
	902 Lock jaw kit 2"	HSF00033	1	Lock jaw 2" + Small tension spring
3	902 locking bar	HSF00034	1	-
4	902 Lever plate	HSF00035	1	-
5	902 Pull handle	HSF00036	1	-
6	902 Adjusting screw kit	HSF00037	1	Adjusting screw + Hexagon head nut
7	Handle groove plate kit	HSF00038	1	Handle groove plate + Hexagon bolt + Lock nut
8	Latch kit	HSF00039	1	Latch + Torsion spring + Flat washer + Hexagon head screw + Hexagon head nut
9	Cover plate	HSF00040	2	-
10	Rubber bushing kit	HSF00041	2	Upper rubber bearing + Lower rubber bearing
11	902 Locking bar bolt kit	HSF00042	1	Locking bar bolt + Spacer sleeve + Big torsion spring + Flat washer + Split pin
12	Lever cover plate kit	HSF00043	1	Lever cover plate + Hexagon bolt + Flat washer + Elastic washer
13	902 Locking jaw bolt	HSF00044	1	-
14	90 Double Spring kit	HSF00045	1	Outer tension spring + Inner tension spring
15	160mm Pedestal	HSF00048	2	Applied in fifth wheel couplings type FW20 and FW21 160 mm height
	190mm Pedestal	HSF00047	2	Applied in fifth wheel couplings type FW20 and FW21 190 mm height
	250mm Pedestal	HSF00049	2	Applied in fifth wheel couplings type FW20 and FW21 250 mm height
16	Lock jaw greasing kit	HSF00050	1	Dust cap + Inner and outer wire joint + Grease nuzzle + Thin nut + Grease tube + Union joint + Sealing ring
17	Grease supply kit	HSF00051	1	Dust cap + Inner and outer wire joint + Grease nuzzle + Thin nut + Grease tube + Union joint + Positioning distributor + Sealing ring + Combination screw
18	Release lever kit	HSF00052	1	Release lever + Small tension spring
19	Release lever screw bolt kit	HSF00053	1	Hexagon bolt + Lock nut
20	Cover plate screw bolt kit	HSF00054	8	Hexagon bolt + Elastic washer



Hyva is a leading provider of innovative and highly efficient transport solutions for commercial vehicles used in transport, construction, mining, materials handling and environmental service industries.



BUSINESS UNIT COMPONENTS



BUSINESS UNIT CRANES



BUSINESS UNIT RECYCLING



BUSINESS UNIT ELECTRIFICATION

For more information on Hyva please visit www.hyva.com

Hyva Holding B.V.
 Antonie van Leeuwenhoekweg 37
 2408 AK Alphen aan den Rijn
 The Netherlands
 Telephone: +31 (0)172 - 42 35 55
 info@hyva.com
 www.hyva.com



or follow us on:

Disclaimer: Products shown in this brochure might be partially equipped and may not correspond to the standard version. Country-specific regulations must be observed. Dimensions may vary. This brochure could be subjected to technical changes, errors and translation mistakes.