



JK-SERIES DRAWBAR COUPLINGS



BUSINESS UNIT
COMPONENTS

DRAWBAR COUPLINGS

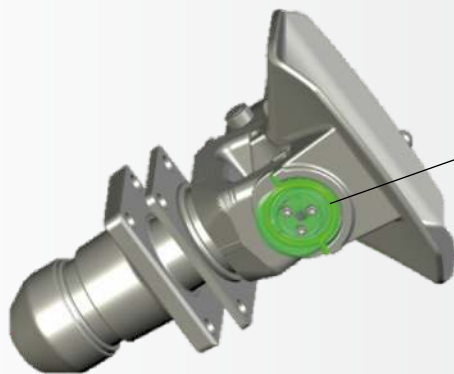
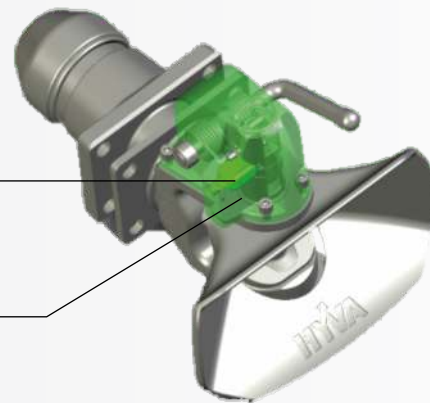
Next Level Towing Technology

Hyva's Drawbar Couplings deliver **durability, safety, easy access, and low replacement costs**. The **compact** couplings have an **innovative design** and are equipped with a coupling jaw that rotates independently of the coupling core and mechanism for **easy access**, a safety device which is embedded inside the mechanism housing to avoid any possibility of falling out, a closed cover of the couplings mechanism and rotating pin to extend the **service life time**.

PRODUCT FEATURES

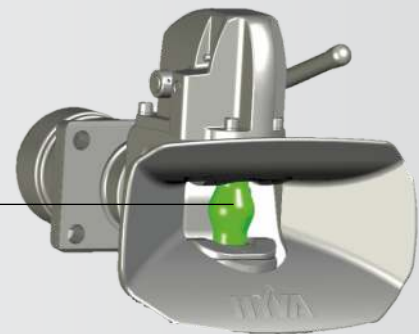
Build in technology for security devices

Frontal Crash Damage prevention



Compact Auto balanced centering funnel system

Rotating Coupling Pin



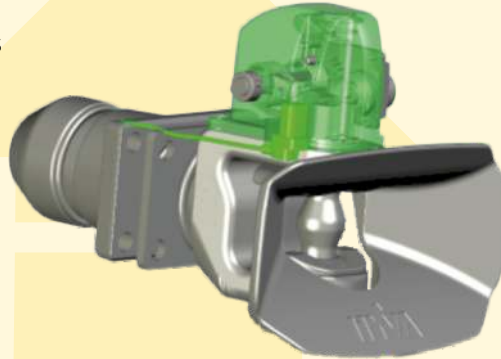
Funnel Locking System

Opening of the coupling always possible with rotated funnel in all possible angles

MODULAR CONCEPT 1



Security Sensor always applicable for all coupling versions



GOOD CHOICE

MODULAR CONCEPT 2

Upgrade coupling opening lever from basic version to professional version with independent mechanism



BETTER CHOICE

MODULAR CONCEPT 3



BEST CHOICE

Complementary kits applicable on all coupling basic versions

DRAWBAR COUPLING JK50-C7 S

Part number	Hole pattern (mm)	D value (kN)	Dc value (kN)	S value (kg)	V value (kN)	Weight (kg)	Remote indicator	Remote opening	ECE R55-02 Approval
JK507A001	160x100	200	135	1000	75	48			E32-55R02-0184
JK507A001	160x100	200	135	2000	60	48			E32-55R02-0184
JK507A100	160x100	200	135	1000	75	48	✓		E32-55R02-0184
JK507A100	160x100	200	135	2000	60	48	✓		E32-55R02-0184
JK507A1P0	160x100	200	135	1000	75	56	✓	✓	E32-55R02-0184
JK507A1P0	160x100	200	135	2000	60	56	✓	✓	E32-55R02-0184
JK507B001	160x100	200	135	1000	75	48.5			E32-55R02-0184
JK507B001	160x100	200	135	2000	60	48.5			E32-55R02-0184



ISO 1102
ECE R55
CLASS D

DRAWBAR COUPLING JK50-C7 P

Part number	Hole pattern (mm)	D value (kN)	Dc value (kN)	S value (kg)	V value (kN)	Weight (kg)	Remote indicator	Remote opening	ECE R55-02 Approval
JK507C000	160x100	200	135	1000	75	48.5			E32-55R02-0184
JK507C000	160x100	200	135	2000	60	48.5			E32-55R02-0184



ISO 1102
ECE R55
CLASS D

DRAWBAR COUPLING JK50-C9 S

Part number	Hole pattern (mm)	D value (kN)	Dc value (kN)	S value (kg)	V value (kN)	Weight (kg)	Remote indicator	Remote opening	ECE R55-02 Approval
JK509A000	160x100	200	140	1000	90	50			E32-55R02-0185
JK509A000	160x100	200	140	2000	75	50			E32-55R02-0185
JK509A100	160x100	200	140	1000	90	50	✓		E32-55R02-0185
JK509A100	160x100	200	140	2000	75	50	✓		E32-55R02-0185
JK509A1P0	160x100	200	140	1000	90	58	✓	✓	E32-55R02-0185
JK509A1P0	160x100	200	140	2000	75	58	✓	✓	E32-55R02-0185
JK509B000	160x100	200	140	1000	90	50.5			E32-55R02-0185
JK509B000	160x100	200	140	2000	75	50.5			E32-55R02-0185



ISO 1102
ECE R55
CLASS D

SPECIFICATIONS

JK50/51: Ø50mm Pin Drawbar Coupling series

DRAWBAR COUPLING JK50-C9 P

Part number	Hole pattern (mm)	D value (kN)	Dc value (kN)	S value (kg)	V value (kN)	Weight (kg)	Remote indicator	Remote opening	ECE R55-02 Approval
JK509C000	160x100	330	140	1000	90	50.5			E32-55R02-0185
JK509C000	160x100	330	140	2000	75	50.5			E32-55R02-0185



ISO 1102
ECE R55
CLASS D

DRAWBAR COUPLING JK51-C9 S

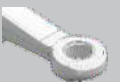
Part number	Hole pattern (mm)	D value (kN)	Dc value (kN)	S value (kg)	V value (kN)	Weight (kg)	Remote indicator	Remote opening	ECE R55-02 Approval
JK519B001	160x100	330	170	1000	70	50.7			E32-55R02-0185
JK519B001	160x100	330	140	2500	65	50.7			E32-55R02-0185
JK519B100	160x100	330	170	1000	70	51	✓		E32-55R02-0185
JK519B100	160x100	330	140	2500	65	51	✓		E32-55R02-0185
JK519A1P0	160x100	330	170	1000	70	55.5	✓	✓	E32-55R02-0185
JK519A1P0	160x100	330	140	2500	65	55.5	✓	✓	E32-55R02-0185



ISO 1102
ECE R55
CLASS D

DRAWBAR COUPLING JK51-C9 P

Part number	Hole pattern (mm)	D value (kN)	Dc value (kN)	S value (kg)	V value (kN)	Weight (kg)	Remote indicator	Remote opening	ECE R55-02 Approval
JK519C000	160x100	330	170	1000	70	51.2			E32-55R02-0185
JK519C000	160x100	330	140	2500	65	51.2			E32-55R02-0185



ISO 1102
ECE R55
CLASS D

SPECIFICATIONS

JK40: Ø40mm Pin Drawbar Coupling series

DRAWBAR COUPLING JK40-C5 S



ISO 8755
DIN 74054

Part number	Hole pattern (mm)	D value (kN)	Dc value (kN)	S value (kg)	V value (kN)	Weight (kg)	Remote indicator	Remote opening	ECE R55-02 Approval
JK405A000	160x100	140	100	1000	42	36.5			E32-55R02-0267
JK405A000	160x100	140	100	2000	26	36.5			E32-55R02-0267
JK405B000	160x100	140	100	1000	42	37			E32-55R02-0267
JK405B000	160x100	140	100	2000	26	37			E32-55R02-0267
JK404A000	140x80	110	92	1000	38	36			E32-55R02-0300
JK404A000	140x80	110	92	1500	29	36			E32-55R02-0300
JK404B000	140x80	110	92	1000	38	36.5			E32-55R02-0300
JK404B000	140x80	110	92	1500	29	36.5			E32-55R02-0300
JK403A000	120x55	70	70	500	28	34			
JK403A000	120x55	70	70	500	26	34			
JK403B000	120x55	70	70	700	28	34.5			
JK403B000	120x55	70	70	700	26	34.5			

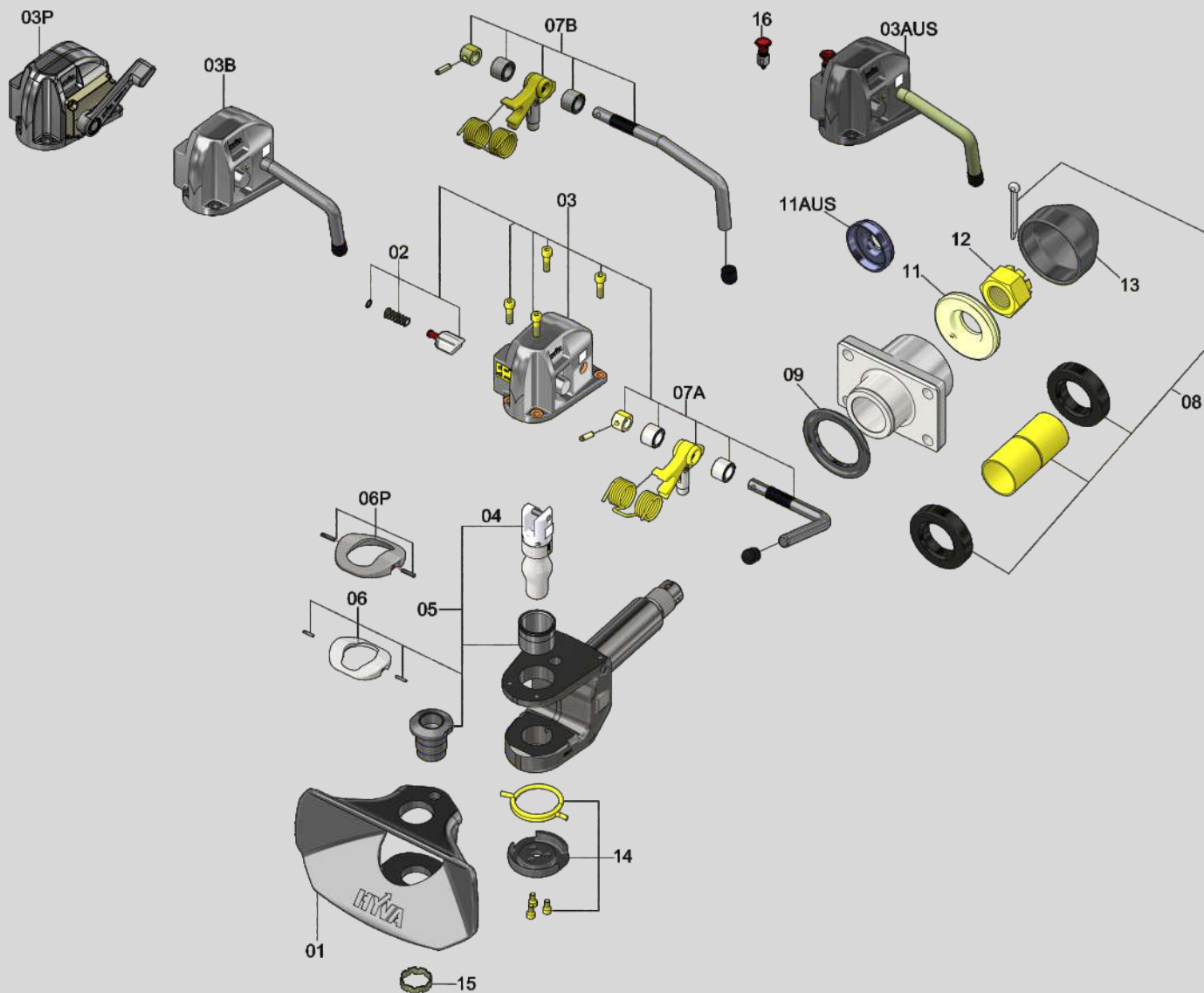
DRAWBAR COUPLING JK40-C5 P



ISO 8755
DIN 74054

Part number	Hole pattern (mm)	D value (kN)	Dc value (kN)	S value (kg)	V value (kN)	Weight (kg)	Remote indicator	Remote opening	ECE R55-02 Approval
JK405C000	160x100	140	100	1000	42	37			E32-55R02-0267
JK405C000	160x100	140	100	2000	26	37			E32-55R02-0267

PART LIST



SPARE PARTS

Pos. no.	Part number	Description	Qty.
01	HSC00001	Drawbar coupling Funnel JK5	1
02	HSC00002	Drawbar coupling Second security kit	1
03	HSC00003	Drawbar coupling Mechanism box kit Lever A	1
03B	HSC00022	Drawbar coupling Mechanism box kit Lever B	1
03AUS	HSC00023	Drawbar coupling Mechanism box kit AUS	1
03P	HSC00021	Drawbar coupling Mechanism box kit Lever C	1
04	HSC00004	Drawbar coupling Pin Ø50	1
05	HSC00005	Drawbar coupling Bushing and pin kit	1
06	HSC00006	Drawbar coupling Wearing pad metal	1
06P	HSC00016	Drawbar coupling Wearing pad plastic	1
07A	HSC00007	Drawbar coupling "A" lever kit	1
07B	HSC00017	Drawbar coupling "B" lever kit	1
08	HSC00008	Drawbar coupling Rubber buffer kit	1
09	HSC00009	Drawbar coupling Front flange	1
10	HSC00010	Drawbar coupling Counter flange	1
11	HSC00011	Drawbar coupling Rear flange	1
11AUS	HSC00020	Drawbar coupling Rear flange AUS	1
12	HSC00012	Drawbar coupling Hex slotted castle nut	1
13	HSC00013	Drawbar coupling Nut cap	1
14	HSC00014	Drawbar coupling Funnel spring kit	1
15	HSC00024	Drawbar coupling Funnel bushing	1
16	HSC00015	Drawbar coupling 3SD	1



Hyva is a leading provider of innovative and highly efficient transport solutions for commercial vehicles used in transport, construction, mining, materials handling and environmental service industries.



**BUSINESS UNIT
COMPONENTS**



**BUSINESS UNIT
CRANES**



**BUSINESS UNIT
RECYCLING**



**BUSINESS UNIT
ELECTRIFICATION**

For more information on Hyva please visit www.hyva.com

Hyva Holding B.V.
 Antonie van Leeuwenhoekweg 37
 2408 AK Alphen aan den Rijn
 The Netherlands
 Telephone: +31 (0)172 - 42 35 55
 info@hyva.com
 www.hyva.com



or follow us on:






Disclaimer: Products shown in this brochure might be partially equipped and may not correspond to the standard version. Country-specific regulations must be observed. Dimensions may vary. This brochure could be subjected to technical changes, errors and translation mistakes.