

**EXTRA STRONG CASTING  
FIFTH WHEEL COUPLING**



**BUSINESS UNIT  
COMPONENTS**



## EXTRA STRONG FIFTH WHEEL COUPLING

Hyva's Fifth Wheel Couplings are **more reliable** with a **high-strength** integrated robust casting top plate, **higher vertical load**, **stronger loading capacity** and **high safety performance**. With the **lightest weight** available in the market, the coupling helps reduce vehicle weight and increase load capacity. The Fifth Wheels family comprises two models, a standard version and a low maintenance grease free version.

### PRODUCT FEATURES



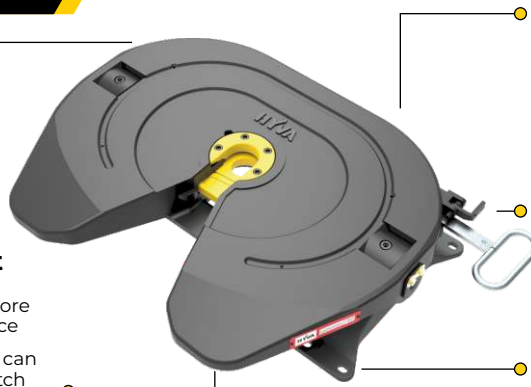
#### More Safe

High-strength integrated robust cast top plate  
Stronger loading capacity and impact resistance  
High safety performance



#### More Convenient

The external pivot bearing structure is simpler and more convenient for maintenance  
Different heights pedestal can be freely combined to match flexibly for different application requirements.



#### More Durable

Integrated bearing structure  
Reinforced steel cast pedestal  
Reinforced wear ring  
Higher durability



#### Approved according ECE R55-02 regulation



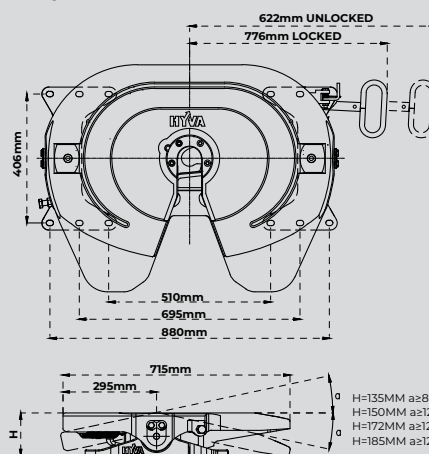
#### More Cost Efficient

The lightest weight available in the market  
Vehicle weight reduction  
Goods loading capacity increase

### SPECIFICATIONS

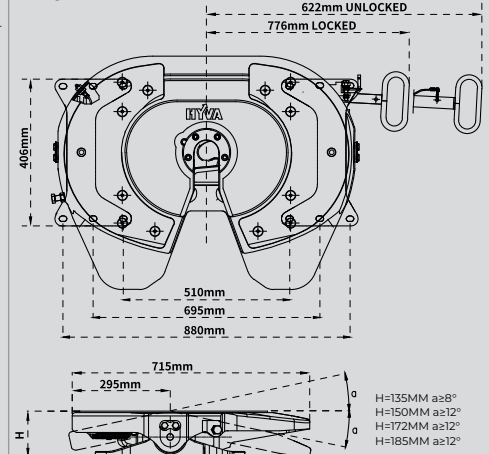
#### FW01-S

2" / 50#



#### FW01-M

2" / 50#

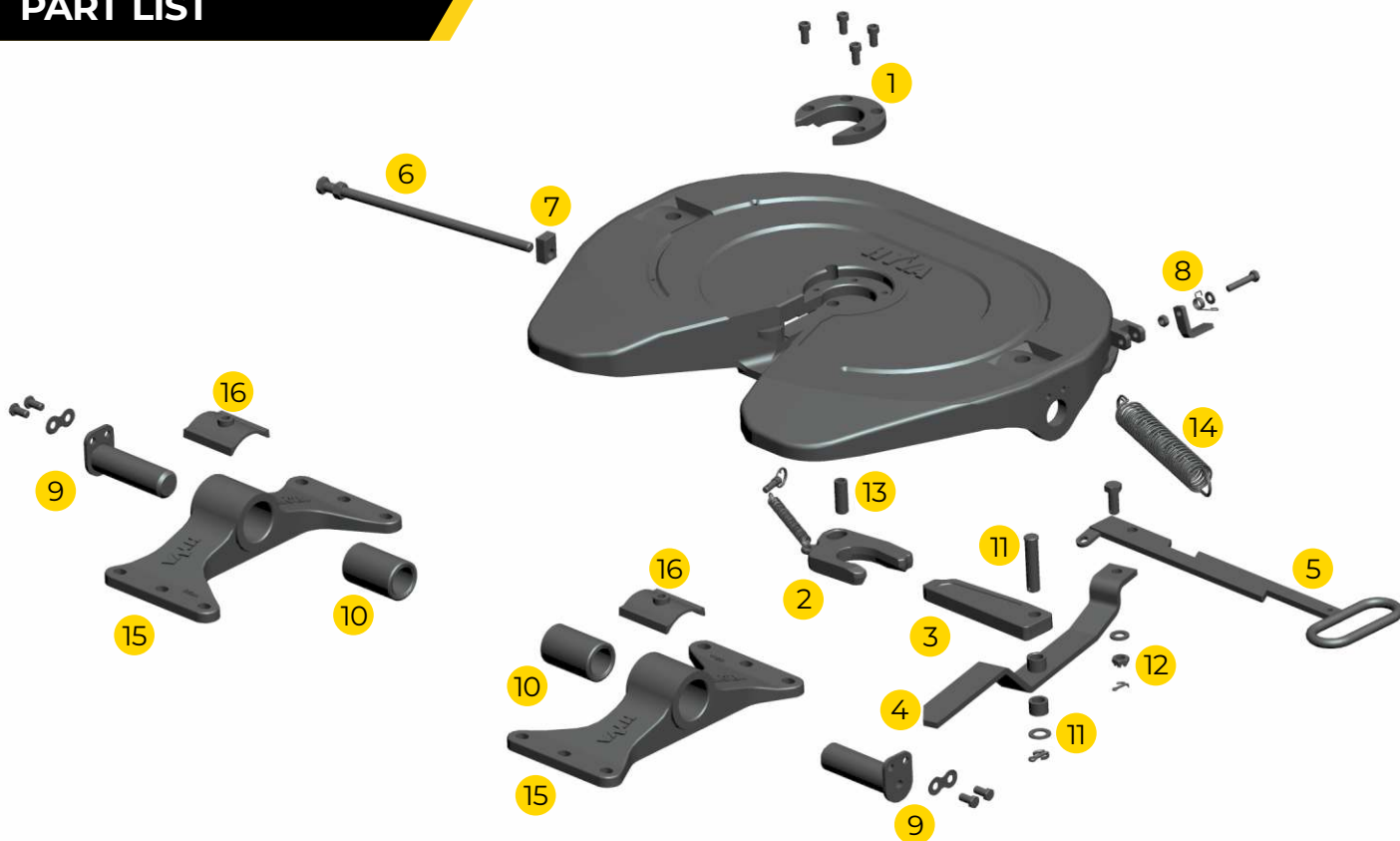


PRODUCT TYPE	FW01-S	FW01-M
PART NO.	FW0113000 FW0115000 FW0117000 FW0118000	FW0213000 FW0215000 FW0217000 FW0218000
Kingpin	2"	2"
Imposed load (t)	25	25
D value (kN)	170	170
Mounting height (mm)	135/150/172/185	135/150/172/185
Weight (kg)	126/124/126/128	126/124/126/128
ECE R55 approval	E32-55R02-0164	E32-55R02-0164

\* Low maintenance product with wear-resistant plate and central - oiling is optional.



# PART LIST



## 2"/50# FIFTH WHEEL COUPLING PART LIST

No.	Description	Part no.	Qty.	Remark
1	50 Wearing ring kit	HSF00001	1	Wear ring + Hexagon socket screw
2	50 Lock jaw kit	HSF00002	1	Lock jaw + Small tension spring + Pull pin + Split spring
3	50 locking bar	HSF00003	1	-
4	50 Lever plate kit	HSF00004	1	-
5	50 Pull handle kit	HSF00005	1	-
6	50 Adjusting screw kit	HSF00006	1	Adjusting screw + Hexagon head nut
7	Lock block	HSF00007	1	-
8	Latch kit	HSF00008	1	Latch + Torsion spring + Flat washer + Hexagon head screw + Hexagon head nut
9	Swivel pin kit	HSF00009	2	Swivel pin + plug + Retaining sheet + Hexagon head screw
10	Rubber bushing kit	HSF00010	2	Inner bushing + Outer bushing
11	Bolt pin kit	HSF00011	1	Bolt Pin + Thick washer + Flat washer + Split pin
12	Hole pivot kit	HSF00012	1	Hole pivot + Flat washer + Hexagon head nut + Split pin
13	Pivot	HSF00013	1	-
14	50 Double tension spring kit	HSF00014	1	Outer tension spring + Inner tension spring
15	135 Pedestal	HSF00018	2	Applied in fifth wheel couplings type FW01-S and FW01-M 135 mm height
	150 Pedestal	HSF00015	2	Applied in fifth wheel couplings type FW01-S and FW01-M 150 mm height
	172 Pedestal	HSF00019	2	Applied in fifth wheel couplings type FW01-S and FW01-M 172 mm height
	185 Pedestal	HSF00017	2	Applied in fifth wheel couplings type FW01-S and FW01-M 185 mm height
16	Collar	HSF00016	2	



 <b>FOUNDED IN 1979</b>	 <b>14 PRODUCTION FACILITIES</b>	 <b>20,000 CUSTOMERS</b>	 <b>110 COUNTRIES</b>	 <b>+30 SUBSIDIARIES</b>	 <b>+3,500 EMPLOYEES</b>
---	--	--	---	---	--

Hyva is a leading provider of innovative and highly efficient transport solutions for commercial vehicles used in transport, construction, mining, materials handling and environmental service industries.



**BUSINESS UNIT COMPONENTS**



**BUSINESS UNIT CRANES**



**BUSINESS UNIT RECYCLING**



**BUSINESS UNIT ELECTRIFICATION**

For more information on Hyva please visit [www.hyva.com](http://www.hyva.com)

**Hyva Holding B.V.**  
 Antonie van Leeuwenhoekweg 37  
 2408 AK Alphen aan den Rijn  
 The Netherlands  
 Telephone: +31 (0)172 - 42 35 55  
 info@hyva.com  
 www.hyva.com



or follow us on:  






Disclaimer: Products shown in this brochure might be partially equipped and may not correspond to the standard version. Country-specific regulations must be observed. Dimensions may vary. This brochure could be subjected to technical changes, errors and translation mistakes.