



INDEX

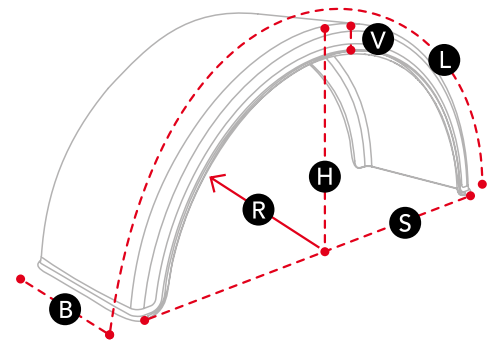
MUDGUARDS.....	3-18
SIDE PROTECTION GUARD	19-35
TOOL BOX.....	36-54
FONTAINE FIFTHWHEEL.....	55-61
HINGE KIT.....	62-82
OIL COOLER.....	83-85
COVER SYSTEM.....	86
COUPLING.....	87
AXLE.....	88
HYVA SLIDEKAP.....	89-92



MUDGUARDS

HYVA

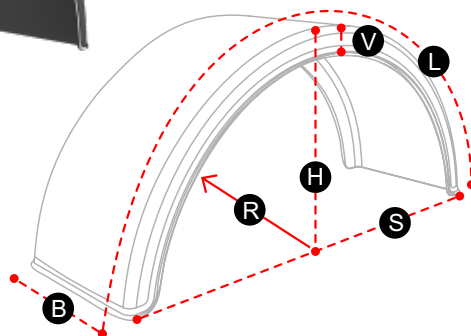
PLASTIC MUDGUARD - LIGHT



Part No.	Description	B	L	R	S	H	V
07170176	PLASTIC MUDGUARD	410	1350	430	860	430	60
07170177	PLASTIC MUDGUARD	500	1620	500	1000	520	60
07170178	PLASTIC MUDGUARD	500	1700	550	1100	540	75
07170179	PLASTIC MUDGUARD	550	1700	550	1100	540	75
07170180	PLASTIC MUDGUARD	550	1780	560	1120	570	60
07170181	PLASTIC MUDGUARD	550	1900	630	1280	600	75
07170182	PLASTIC MUDGUARD	600	1700	550	1100	540	75
07170183	PLASTIC MUDGUARD	600	1840	550	1160	590	60
07170184	PLASTIC MUDGUARD	600	1900	630	1280	600	75
07170185	PLASTIC MUDGUARD	650	1900	630	1280	600	75
07170186	PLASTIC MUDGUARD	430	1900	650	1300	580	75
07170187	PLASTIC MUDGUARD	430	2125	650	1300	690	75
07170155	PLASTIC MUDGUARD	670	2125	670	1340	680	75

- Limited in size
- Basic design
- -50°/+80° resistance

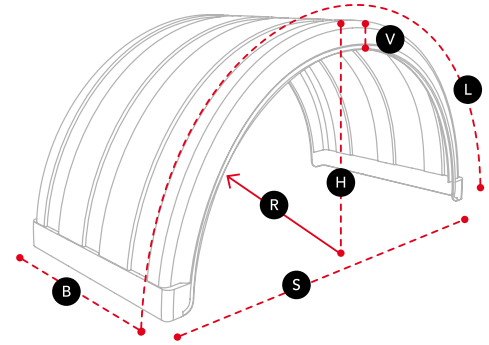
PLASTIC MUDGUARD WITH WHITE BORDER - LIGHT



- Basic design
- -50°/+80° resistance

Part No.	Description	B	L	R	S	H	V
07215226	PLSTC MUDGUARD W WHITE BDR	430	1900	650	1300	580	75
07215227	PLSTC MUDGUARD W WHITE BDR	670	2125	670	1340	680	75

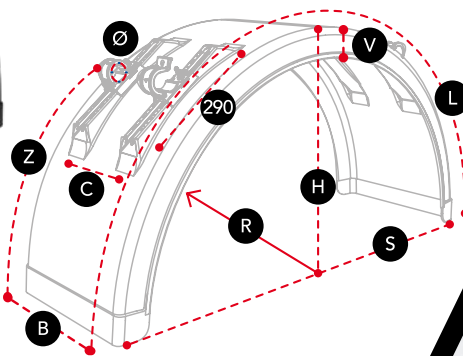
PLASTIC MUDGUARD WITH WHITE BORDER - STRONG



- Suitable for heavyduty trucks
- Colors customization available
- -50°/+80° resistance

Part No.	Description	B	L	R	S	H	V
07170160	PLASTIC MUDGUARD WITH WHITE BORDER	670	1950	630	1250	590	75
07170161	PLASTIC MUDGUARD WITH WHITE BORDER	450	2125	680	1365	670	80
07170159	PLASTIC MUDGUARD WITH WHITE BORDER	530	2125	680	1365	670	80
07170156	PLASTIC MUDGUARD WITH WHITE BORDER	690	2125	680	1365	670	80

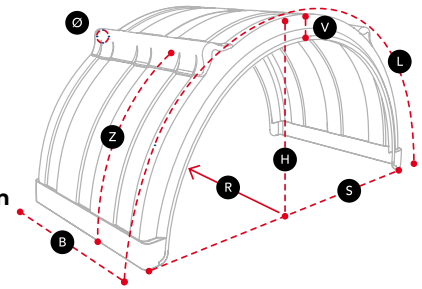
PLASTIC MUDGUARD WITH INTEGRATED ADJUSTABLE BRACKETS - LIGHT



- Bracket with rubber grip
- -50°/+80° resistance

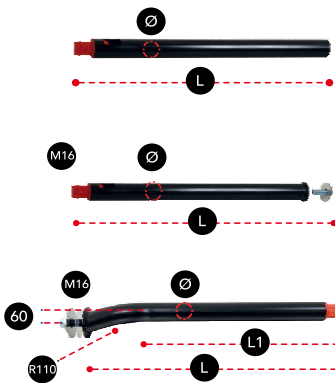
Part No.	Description	B	L	R	S	H	V	C	Z	Ø
07170162	PLASTIC MUDGUARD WITH INTE ADJU BRAK	650	1900	640	1250	580	75	200	525	42
07170163	PLASTIC MUDGUARD WITH INTE ADJU BRAK	650	2000	640	1260	640	75	200	580	42
07170164	PLASTIC MUDGUARD WITH INTE ADJU BRAK	650	1900	640	1280	580	75	200	525	48
07170165	PLASTIC MUDGUARD WITH INTE ADJU BRAK	650	2000	640	1290	640	75	200	580	48
07170166	PLASTIC MUDGUARD WITH INTE ADJU BRAK	430	1900	640	1250	580	75	200	525	42
07170167	PLASTIC MUDGUARD WITH INTE ADJU BRAK	430	2000	640	1270	640	75	200	580	42
07170168	PLASTIC MUDGUARD WITH INTE ADJU BRAK	430	1900	640	1280	580	75	200	525	48
07170169	PLASTIC MUDGUARD WITH INTE ADJU BRAK	430	2000	640	1290	640	75	200	580	48

FAST-FIT MUDGUARD WITH WHITE LINE - EASY



- Customizable brackets' position
- -75% fixing/unfixing time
- -50°/+80° resistance

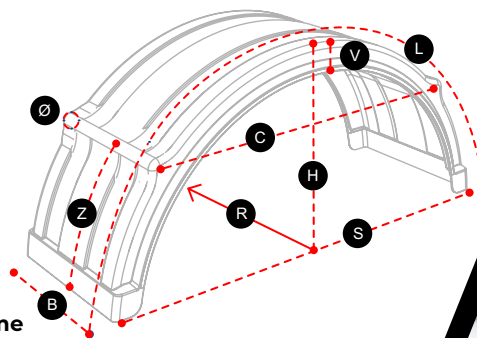
Part No.	Description	B	L	R	S	H	V	Z	Ø
07170170	PLAST.MUDG. WHITE BOR.+ BRACKET SD419000	450	2125	680	1365	670	80	590	42
07170157	PLAST.MUDG. WHITE BOR.+ BRACKET SD419000	690	2125	680	1365	670	80	590	42



Part No.	Description	L	Ø	Thn
07215241	BLACK POWDER COATED	505	42	2.5
07170190	BLACK POWDER COATED	700	42	2.5

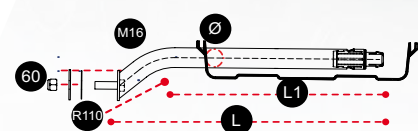
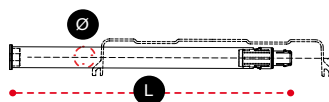
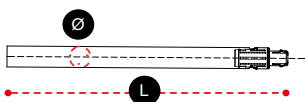
Part No.	Description	L	Ø	Thn
07215242	BLACK POWDER COATED (ATTACH CHASSIS)	505	42	2.5
07170191	BLACK POWDER COATED (ATTACH CHASSIS)	700	42	2.5

Part No.	Description	L	L1	Ø	Thn
07215243	BLACK POWDER COATED (FAST FIT) WITH WELDED SCREW	505	390	42	2.5
07170192	BLACK POWDER COATED (FAST FIT) WITH WELDED SCREW	700	580	42	2.5



- -75% fixing/unfixing time
- -50°/+80° resistance

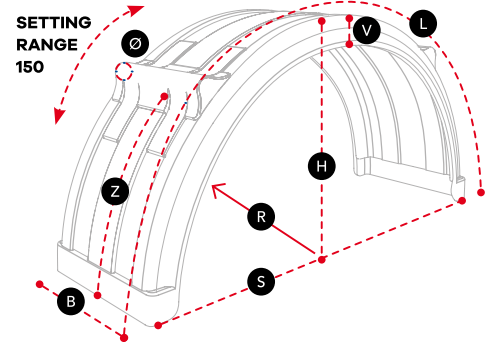
Part No.	Description	B	L	R	S	H	C	V	Z	Ø
07215228	PLS FASTFIT MDG. W WHT BDR	460	1900	650	1300	580	975	75	400	42



Part No.	L	Ø	Thn
07215241	505	42	2.5

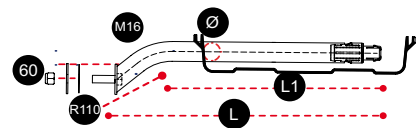
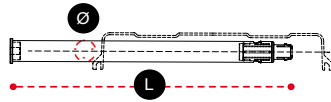
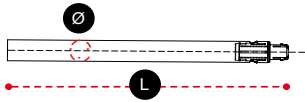
Part No.	L	Ø	Thn
07215242	505	42	2.5

Part No.	L	L1	Ø	Thn
07215243	505	390	42	2.5



- Adjustable brackets
- -75% fixing/unfixing time
- -50°/+80° resistance

Part No.	Description	B	L	R	S	H	V	Z	Ø
07170171	FAST FIT MUDGUARD WITH WHITE LINE	450	2125	680	1365	670	80	590	42

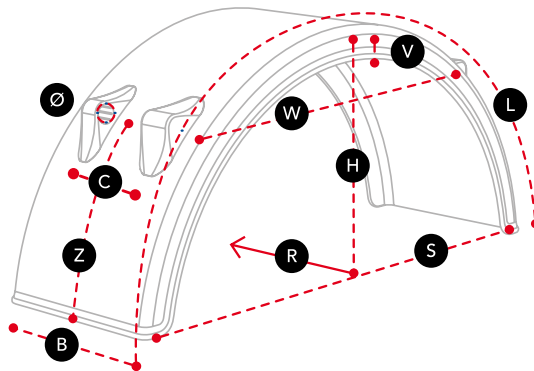


Part No.	L	Ø	Thn
07215241	505	42	2.5

Part No.	L	Ø	Thn
07215242	505	42	2.5

Part No.	L	L1	Ø	Thn
07215243	505	390	42	2.5

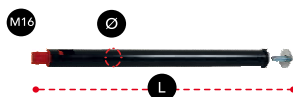
FAST-FIT MUDGUARD



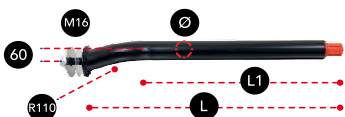
Part No.	Description	B	L	R	S	H	V	C	Z	W	Ø
07170172	FAST FIT MUD GUARD	430	1900	650	1300	580	75	210	500	845	42
07170173	FAST FIT MUD GUARD	430	2125	650	1300	690	75	210	570	935	42
07170158	PLAST.MUDG + BRACKETS SD430002-03	670	2125	670	1340	680	75	450	570	945	42



Part No.	Description	L	Ø	Thn
07215241	BLACK POWDER COATED	505	42	2.5
07170190	BLACK POWDER COATED	700	42	2.5

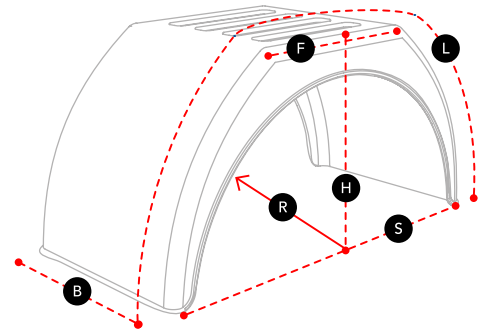


Part No.	Description	L	Ø	Thn
07215242	BLACK POWDER COATED (ATTACH CHASSIS)	505	42	2.5
07170191	BLACK POWDER COATED (ATTACH CHASSIS)	700	42	2.5



Part No.	Description	L	L1	Ø	Thn
07215243	BLACK POWDER COATED (FAST FIT) WITH WELDED SCREW	505	390	42	2.5
07170192	BLACK POWDER COATED (FAST FIT) WITH WELDED SCREW	700	580	42	2.5

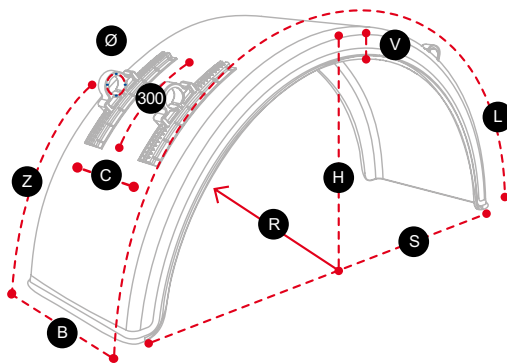
FLAT-TOP PLASTIC MUDGUARD WITH WHITE LINE



Part No.	Description	B	L	R	S	H	F
07215233	FLATOP PL. MDG W WHT BR	260	1450	380	880	450	400
07215234	FLATOP PL. MDG W WHT BR	450	1480	400	920	460	400
07170189	FLATOP PL. MDG W WHT BR	510	1770	430	1000	550	510
07170188	FLATOP PL. MDG W WHT BR	550	1930	512	1150	570	650

- Direct fixing to the loading platform
- -50°/+80° resistance

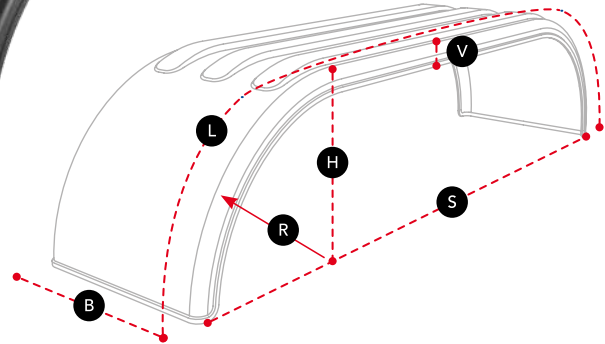
PLASTIC MUDGUARD WITH ADJUSTABLE BRACKETS



- Customizable brackets position
- Basic design
- -50°/+80° resistance

Part No.	Description	B	L	R	S	H	C	V	Z	Ø
07215229	PLS MDG. W WHT BR & ADJ BR	430	1900	650	1300	580	210	75	500	42

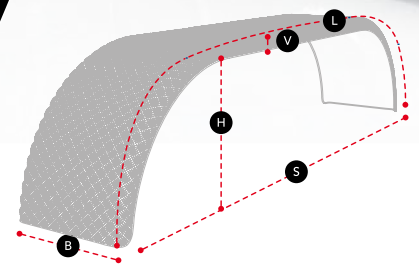
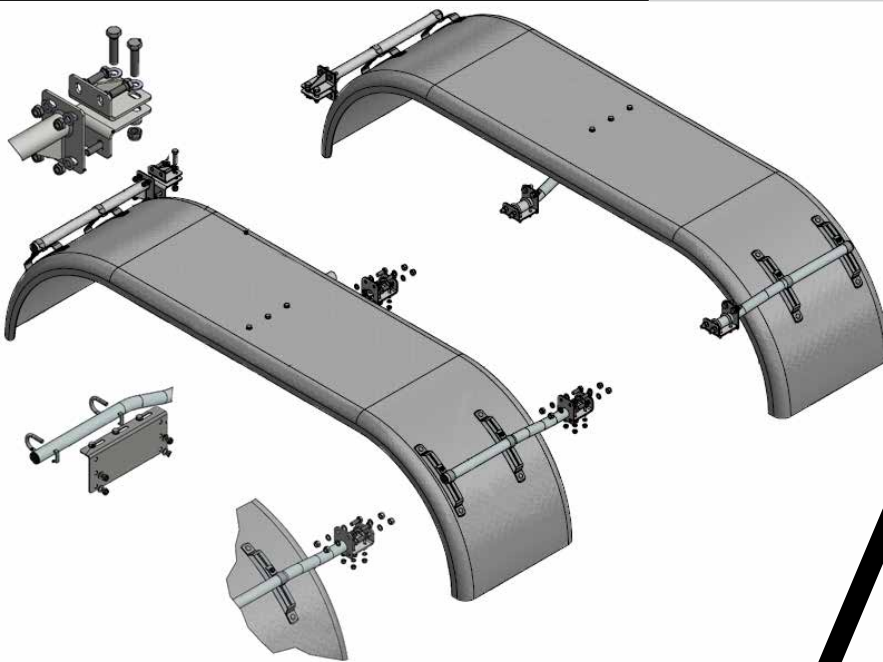
PLASTIC TANDEM MUDGUARD



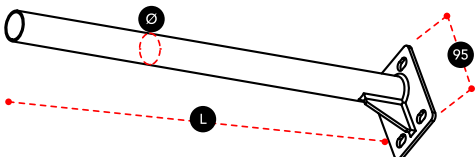
Part No.	Description	B	R	L	S	H	V
07170174	PLASTIC TANDEM MUDGUARD	670	635	3360	2680	620	75
07170175	PLASTIC TANDEM MUDGUARD	670	635	1680	1340	620	75

- Customizable sizes
- Perfect finishing
- -50/+80 °C resistance

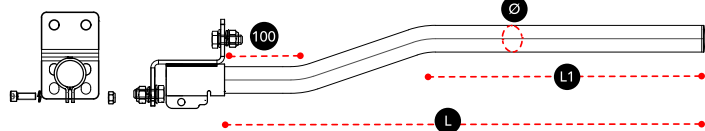
COMPLETE KIT OF ALUMINIUM MUDGUARD



Part No.	Description	B	L	S	H	V	AXLE
AE070402	COMPLETE KIT OF ALUMINIUM MUDGUARD 650x2700						
	ALUMINIUM MUDGUARD WITH MOUNTED BRACKETS	650	3440	2700	650	60	MULTI

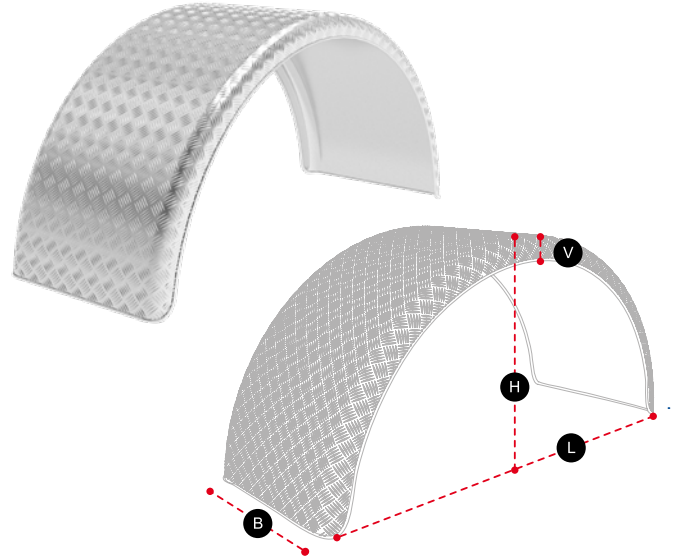


L	Ø
800	42



L	L1	Ø
800	530	42

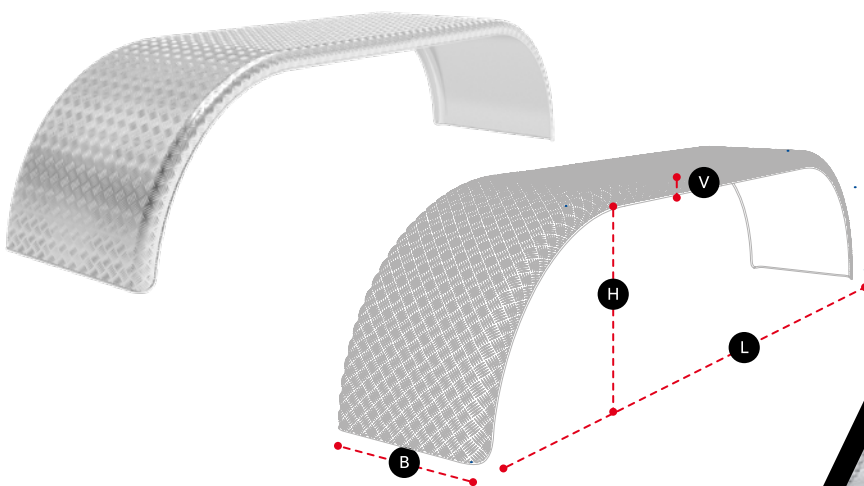
ALUMINIUM TREAD PLATE MUDGUARD - SINGLE AXLE



Part No.	Description	B	L	H	V
07215222	ALU TREAD PLT MUDGUARD	650	1300	630	60
07215223	ALU TREAD PLT MUDGUARD	500	1300	630	60
07170134	ALU TREAD PLT MUDGUARD	650	1280	640	80
07170135	ALU TREAD PLT MUDGUARD	650	1390	640	80

- **3+1 Sheet thickness**
- **Customizable sizes**
- **Impact- and weather resistant**

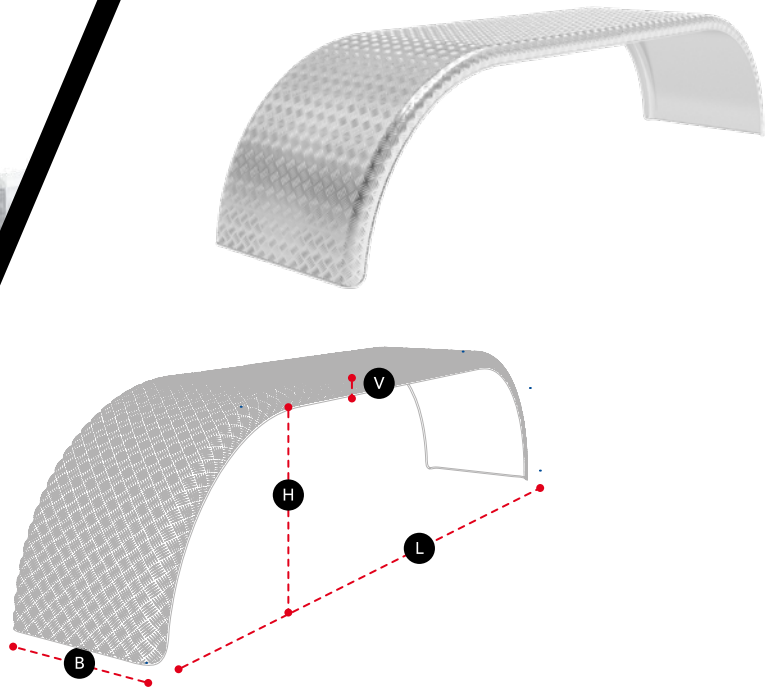
TANDEM ALUMINIUM TREAD PLATE MUDGUARD - 2 AXLE



Part No.	Description	B	L	H	V
07170138	ALU TREAD PLT MUDGUARD	650	2740	640	60
07170139	ALU TREAD PLT MUDGUARD	650	3300	640	80
07170136	ALU TREAD PLT MUDGUARD	650	4100	640	80

- **3+1 Sheet thickness**
- **Customizable sizes**
- **Impact- and weather resistant**

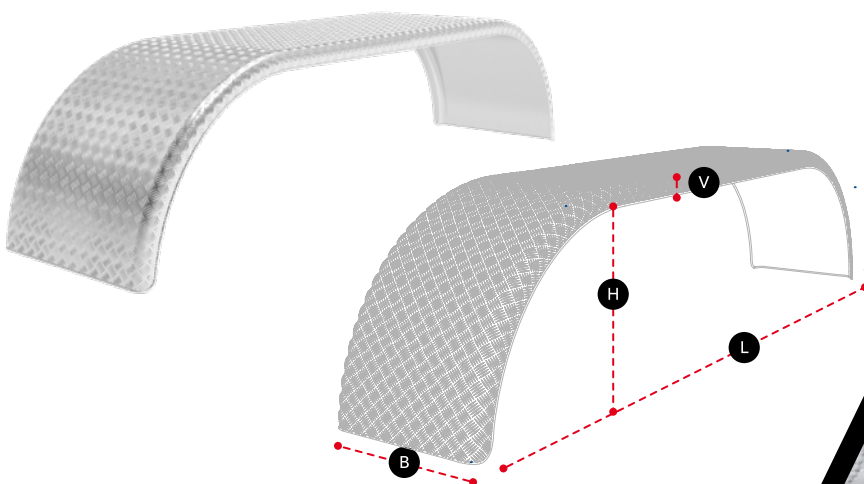
ALUMINIUM TREAD PLATE MUDGUARD - TRIPLE 3 AXLE



Part No.	Description	B	L	H	V
09210031	ALU TREAD PLT MUDGUARD	650	4200	640	80
09210035	ALU TREAD PLT MUDGUARD	650	4600	640	80
09210037	ALU TREAD PLT MUDGUARD	650	5250	640	80

- **3+1 Sheet thickness**
- **Customizable sizes**
- **Impact- and weather resistant**

ALUMINIUM TREAD PLATE MUDGUARD - MULTI AXLE



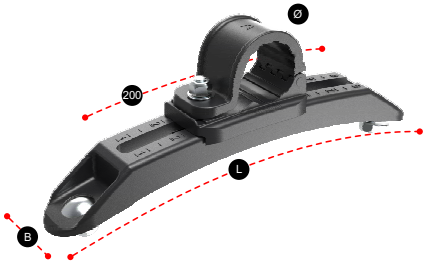
- **3+1 Sheet thickness**
- **Customizable sizes**
- **Impact- and weather resistant**

Part No.	Description	B	L	S	H	V
07170151	ALUMINIUM MUDGUARD WITH MOUNTED BRACKETS	650	3500	2740	690	60



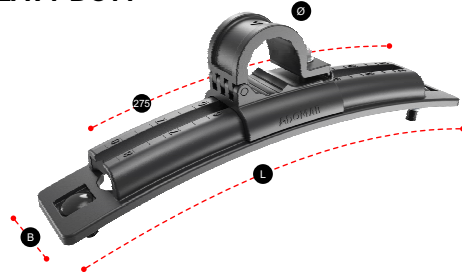
BRACKET AND SUPPORTS

LIGHT DUTY



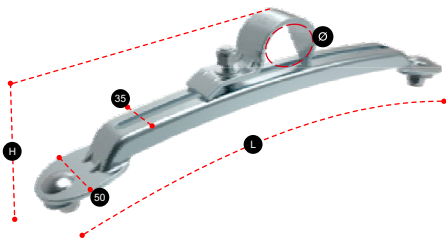
Part No.	Description	Ø	L	B
07215231	WITH CLASP	42	300	43

HEAVY DUTY



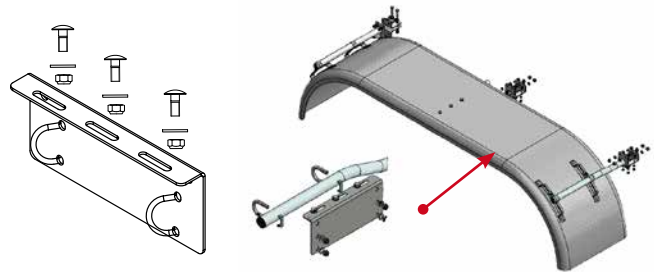
Part No.	Description	Ø	L	B
07215232	ADJUSTABLE	42	360	68

STEEL BRACKET - FOR ALUMINIUM MUDGUARD



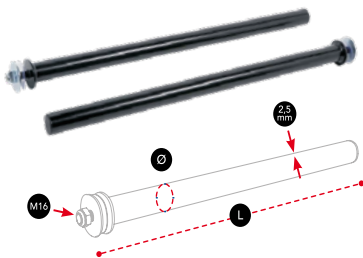
Part No.	Description	Ø	L	H
26870061	ADJUSTABLE	42	330	90

CENTER BRACKET - FOR TANDEM AL. MUDGUARD



Part No.	Description
07170154	BRACKET CENTRAL WITH U-BOLT

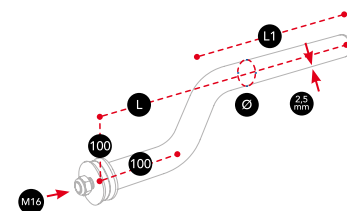
BLACK COATED STAY







Part No.	Description	L	Ø
07215237	Black powder coated stay with welded internal screw thread	580	42
07215238	Black powder coated stay with welded internal screw thread	800	42











Part No.	Description	L	L1	Ø
07215239	Black powder coated stay with welded internal screw thread	580	310	42
07215240	Black powder coated stay with welded internal screw thread	800	530	42











CROSS REFERENCE

	TIRE CODE	TIRE WIDTH	DISTANCE BETWEEN TIRES (TWIN WHEELS)	TIRE DIAMETER	TWIN WHEEL	SINGLE WHEEL	TWIN WHEEL	SINGLE WHEEL
								
13"	6.70 R 13	95	101	670	07170176		07215234	07215233
	8.25 R 15	237	267	830	07170179		07170188	
15"	10.00 R 15	283	308	942	07170182			
	7.00 R 16	204	230	795			07170189	07215233
16"	7.50 R 16	216	240	814	07170177		07170189	
	8.25 R 16	237	264	874	07170179		07170188	
	9.00 R 16	253	274	927	07170179		07170188	
	255/100 R 16	262	282	936	07170179		07170188	
	325/85 R 16	341		980		07170187, 07170161, 07170170, 07170171, 07170167, 07170169, 07170173		
17"	8.25 R 17	237		900	07170179		07170188	
	205/75 R 17,5	214	250	765	07170177		07170189	07215233
	215/75 R 17,5	222	260	779	07170177		07170189	07215233
	225/75 R 17,5	237	266	797	07170179		07170188	
	235/75 R 17,5	245	282	811	07170179		07170188	
	245/75 R 17,5	260	290	827	07170179		07170188	
	225/70 R 17,5	235	263	773	07170177		07170189	07215233
	245/70 R 17,5	260	290	803	07170179		07170188	
	265/70 R 17,5	275	298	831	07170182			
	205/65 R 17,5	214	234	721	07170177		07215234	07215233
17,5"	355/45 R 17,5	368		777		07170187, 07170161, 07170170, 07170171, 07170167, 07170169, 07170173		
	8 R17,5	214	234	794			07170189	07215233
	8.5 R 17,5	221	236	813	07170177		07170189	
	9 R 17,5	237	260	831	07170177		07170189	
	9.5 R 17,5	247	272	854	07170179		07170188	
	10 R 17,5	262	282	870	07170182		07170188	
	245/70 R 19,5	260	288	853	07170179		07170188	
	265/70 R 19,5	275	309	881	07170182			
	285/70 R 19,5	297	332	911	07170182, 07170183			
	305/70 R 19,5	320	354	941	07170160, 07170185, 07170162, 07170163, 07170164, 07170165	07170186, 07215228, 07170161, 07170172, 07170170, 07170171, 07170166, 07170168,		
19,5"	315/70 R 19,5	328	262	937	07170160, 07170185, 07170162, 07170163, 07170164, 07170165	07170186, 07215228, 07170161, 07170172, 07170170, 07170171, 07170166, 07170168,		
	245/65 R 19,5	248	280	814	07170179			
	385/65 R 19,5	405		1020		07170186, 07215228, 07170161, 07170172, 07170170, 07170171, 07170166, 07170168,		
	445/65 R 19,5	477		1097		07170159		
	255/60 R 19,5			805	07170182			
	425/55 R 19,5	442		981		07170178		
	385/55 R 19,5	400		936		07170186, 07215228, 07170161, 07170172, 07170170, 07170171, 07170166, 07170168,		
	435/50 R 19,5	460		949		07170178		
	445/45 R 19,5	458		910		07170178		
	7 R 19,5	191	209	809			07170189	
8 R 19,5	214	229	867	07170177		07170189		
9 R 19,5	237	260	906	07170178		07170188		
9.5 R 19,5	247	274	926	07170179		07170188		
10 R 19,5	262	292	949	07170183		07170188		
12 R 19,5	309	341	1023	07170185, 07170155, 07170160, 07170156, 07170157, 07170158, 07170162, 07170163, 07170164, 07170165	07170186, 07215228, 07170161, 07170172, 07170170, 07170171, 07170166, 07170168,			

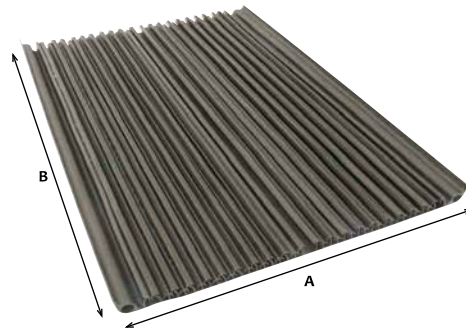
	TIRE CODE	TIRE WIDTH	DISTANCE BETWEEN TIRES (TWIN WHEELS)	TIRE DIAMETER	TWIN WHEEL 	SINGLE WHEEL 	TWIN WHEEL 	SINGLE WHEEL 
20"	15 R 19,5	399		998		07170186, 07215228, 07170161, 07170172, 07170170, 07170171, 07170166, 07170168,		
	16.5 R 19,5	438		1063		07170186, 07215228, 07170161, 07170172, 07170170, 07170171, 07170166, 07170168,		
	18 R 19,5	471		1100		07170159		
	19.5 R 19,5	495		1134		07170159		
	6.50 R 20	186	216	871	07170178		07170189	
	7.00 R 20	204	222	904	07170178		07170188	
	7.50 R 20	216	243	941	07170178, 07170181		07170188	
	8.25 R 20	237	273	976	07170183		07170188	
	9.00 R 20	266	296	1033	07170183			
	10.00 R 20	283	319	1068	07170184			
	11.00 R 20	295	339	1099	07170185, 07170155, 07170160, 07170156, 07170157, 07170158, 07170162, 07170163, 07170164, 07170165, 07170174, 07170175			
	12.00 R 20	319	358	1140	07170155, 07170156, 07170157, 07170158	07170186, 07215228, 07170161, 07170172, 07170170, 07170171, 07170166, 07170168,		
	225/90 R 20	240	276	926	07170179			
	395/85 R 20	405		1206		07170159		
	12/80 R 20	314	349	1023	07170185, 07170155, 07170160, 07170156, 07170157, 07170158, 07170162, 07170163, 07170164, 07170165	07170186, 07215228, 07170161, 07170172, 07170170, 07170171, 07170166, 07170168,		
	13/80 R 20	336		1064		07170186, 07215228, 07170161, 07170172, 07170170, 07170171, 07170166, 07170168,		
	14/80 R 20	361		1107		07170159		
	14.75/80 R 20	381		1142		07170186, 07215228, 07170161, 07170170, 07170171, 07170166, 07170168, 07170172		
	15.5/80 R 20	396		1177		07170186, 07215228, 07170161, 07170170, 07170171		
	365/80 R 20	382		1116		07170186, 07215228, 07170161, 07170170, 07170171		
	475/80 R 20	498		1298		07170159		
	475/60 R 20	475		1078		07170159		
	12/80 R 22,5	320	344	1064	07170183, 07170174, 07170175	07170186, 07215228, 07170161, 07170172, 07170170, 07170171, 07170166, 07170168,		
	275/80 R 22,5	290	324	1030	07170185, 07170155, 07170160, 07170156, 07170157, 07170158, 07170162, 07170163, 07170164, 07170165	07170186, 07215228, 07170161, 07170172, 07170170, 07170171, 07170166, 07170168,		
	295/80 R 22,5	313	348	1062	07170185, 07170155, 07170160, 07170156, 07170157, 07170158, 07170162, 07170163, 07170164, 07170165	07170186, 07215228, 07170161, 07170172, 07170170, 07170171, 07170166, 07170168,		

	TIRE CODE	TIRE WIDTH	DISTANCE BETWEEN TIRES (TWIN WHEELS)	TIRE DIAMETER	TWIN WHEEL	SINGLE WHEEL	TWIN WHEEL	SINGLE WHEEL
								
22,5	315/80 R 22,5	328	363	1096	07170185, 07170155, 07170160, 07170156, 07170157, 07170158, 07170162, 07170163, 07170164, 07170165, 07170174, 07170175	07170186, 07215228, 07170161, 07170172, 07170170, 07170171, 07170166, 07170168,	07170189	
	215/75 R 22,5 295/75 R 22,5	211 313	246 348	864 1032	07170178 07170185, 07170155, 07170160, 07170156, 07170157, 07170158, 07170162, 07170163, 07170164, 07170165	07170186, 07215228, 07170161, 07170172, 07170170, 07170171, 07170166, 07170168,		
	315/75 R 22,5	328	360	1063	07170185, 07170155, 07170160, 07170156, 07170157, 07170158, 07170162, 07170163, 07170164, 07170165	07170186, 07215228, 07170161, 07170172, 07170170, 07170171, 07170166, 07170168,		
	345/75 R 22,5	365		1111		07170186, 07215228, 07170161, 07170172, 07170170, 07170171, 07170166, 07170168,		
	350/75 R 22,5	364		1097		07170186, 07215228, 07170161, 07170172, 07170170, 07170171, 07170166, 07170168,		
	445/75 R 22,5 255/70 R 22,5 275/70 R 22,5	462 268 290		1266 944 973	07170182 07170184, 07170185, 07170160, 07170162, 07170163, 07170164, 07170165	07170159		
	295/70 R 22,5	313	330	1005	07170185, 07170155, 07170160, 07170156, 07170157, 07170158, 07170162, 07170163, 07170164, 07170165	07170186, 07215228, 07170161, 07170172, 07170170, 07170171, 07170166, 07170168,		
	305/70 R 22,5	320	349	1018		07170186, 07215228, 07170161, 07170172, 07170170, 07170171, 07170166, 07170168,		
	315/70 R 22,5	328		1032		07170186, 07215228, 07170161, 07170172, 07170170, 07170171, 07170166, 07170168,		
	365/70 R 22,5	380		1104		07170186, 07215228, 07170161, 07170172, 07170170, 07170171, 07170166, 07170168,		
	385/65 R 22,5	408		1092		07170186, 07215228, 07170161, 07170172, 07170170, 07170171, 07170166, 07170168,		
	425/65 R 22,5 445/65 R 22,5	452 477		1146 1174		07170159		
	265/60 R 22,5 285/60 R 22,5 295/60 R 22,5	275 299 307	300	890 928 940	07170182 07170183 07170160, 07170185, 07170162, 07170163, 07170164, 07170165	07170159		
	305/60 R 22,5	312	348	952	07170160, 07170185, 07170162, 07170163, 07170164, 07170165	07170186, 07215228, 07170161, 07170172, 07170170, 07170171, 07170166, 07170168,		
	315/60 R 22,5	319	360	966	07170160, 07170185, 07170162, 07170163, 07170164, 07170165	07170186, 07215228, 07170161, 07170172, 07170170, 07170171, 07170166, 07170168,		
	385/55 R 22,5	401		1012		07170186, 07215228, 07170161, 07170170, 07170171, 07170166, 07170168, 07170172		
	455/55 R 22,5	470		1092		07170186, 07215228, 07170161, 07170172, 07170170, 07170171, 07170166, 07170168,		

	TIRE CODE	TIRE WIDTH	DISTANCE BETWEEN TIRES (TWIN WHEELS)	TIRE DIAMETER	TWIN WHEEL 	SINGLE WHEEL 	TWIN WHEEL 	SINGLE WHEEL 
	355/50 R 22,5	375		942		07170186, 07215228, 07170161, 07170172, 07170170, 07170171, 07170166, 07170168, 07170159		
	445/50 R 22,5	463		1036				
	415/45 R 22,5	433		960		07170186, 07215228, 07170161, 07170172, 07170170, 07170171, 07170166, 07170168,		
	435/45 R 22,5	457		980		07170186, 07215228, 07170161, 07170172, 07170170, 07170171, 07170166, 07170168,		
	455/45 R 22,5	461		998		07170186, 07215228, 07170161, 07170172, 07170170, 07170171, 07170166, 07170168,		
	495/45 R 22,5	519		1036		07170184		
	445/40 R 22,5	453		936		07170186, 07215228, 07170161, 07170172, 07170170, 07170171, 07170166, 07170168,		
	455/40 R 22,5	453		936		07170186, 07215228, 07170161, 07170172, 07170170, 07170171, 07170166, 07170168,		
	8 R 22,5	214	247	947	07170180, 07170177		07170188	
	9 R 22,5	237	260	982	07170183			
	10 R 22,5	262	286	1033	07170184			
	11 R 22,5	287	318	1064	07170184, 07170185, 07170160, 07170162, 07170163, 07170164, 07170165			
	12 R 22,5	309	342	1099	07170185, 07170155, 07170160, 07170156, 07170157, 07170158, 07170162, 07170163, 07170164, 07170165			
	13 R 22,5	328	360	1141	07170185, 07170155, 07170160, 07170156, 07170157, 07170158, 07170162, 07170163, 07170164, 07170165, 07170174, 07170175	07170187, 07170161, 07170170, 07170171, 07170167, 07170169, 07170173		
	15 R 22,5	399		1089		07170159		
	16,5 R 22,5	438		1139		07170159		
	18 R 22,5	471		1176		07170159		
	9/70 R 22,5	236	257	901	07170178		07170188	
	10/70 R 22,5	262	286	938	07170179		07170188	
	11/70 R 22,5	279	322	973	07170183			
	12/70 R 22,5	320	346	1018	07170155, 07170156, 07170157, 07170158	07170187, 07170161, 07170170, 07170171, 07170167, 07170169, 07170173		
24"	11.00 R 24	295	342	1199	07170155, 07170156, 07170157, 07170158	07170186, 07215228, 07170161, 07170172, 07170170, 07170171, 07170166, 07170168,		
	12.00 R 24	319	350	1244	07170155, 07170156, 07170157, 07170158	07170159		

	TIRE CODE	TIRE WIDTH	DISTANCE BETWEEN TIRES (TWIN WHEELS)	TIRE DIAMETER	TWIN WHEEL 	SINGLE WHEEL 	TWIN WHEEL 	SINGLE WHEEL 
24,5"	14/80 R 24,5	361		1209		07170159		
	295/80 R 24,5	313	345	1112	07170155, 07170156, 07170157, 07170158	07170187, 07170161, 07170170, 07170171, 07170167, 07170169, 07170173		
	285/75 R 24,5	283		1050	07170185, 07170155, 07170160, 07170156, 07170157, 07170158, 07170162, 07170163, 07170164, 07170165			
	305/75 R 24,5	320	350	1098	07170155, 07170156, 07170157, 07170158	07170187, 07170161, 07170170, 07170171, 07170167, 07170169, 07170173		
	315/75 R 24,5	328	360	1112	07170155, 07170156, 07170157, 07170158	07170187, 07170161, 07170170, 07170171, 07170167, 07170169, 07170173		
	E-G20 PILOTE					07170186, 07170187, 07170166, 07170168, 07170172		
	E22,5 PILOTE					07170186, 07170187, 07170166, 07170168, 07170172		

ANTISPRAY MUD FLAP FOR MUDGUARD



Part No.	Description	A	B
08105500	MUDFLAP "HYVA" 600X900MM INCL.FITTING SET	650	700

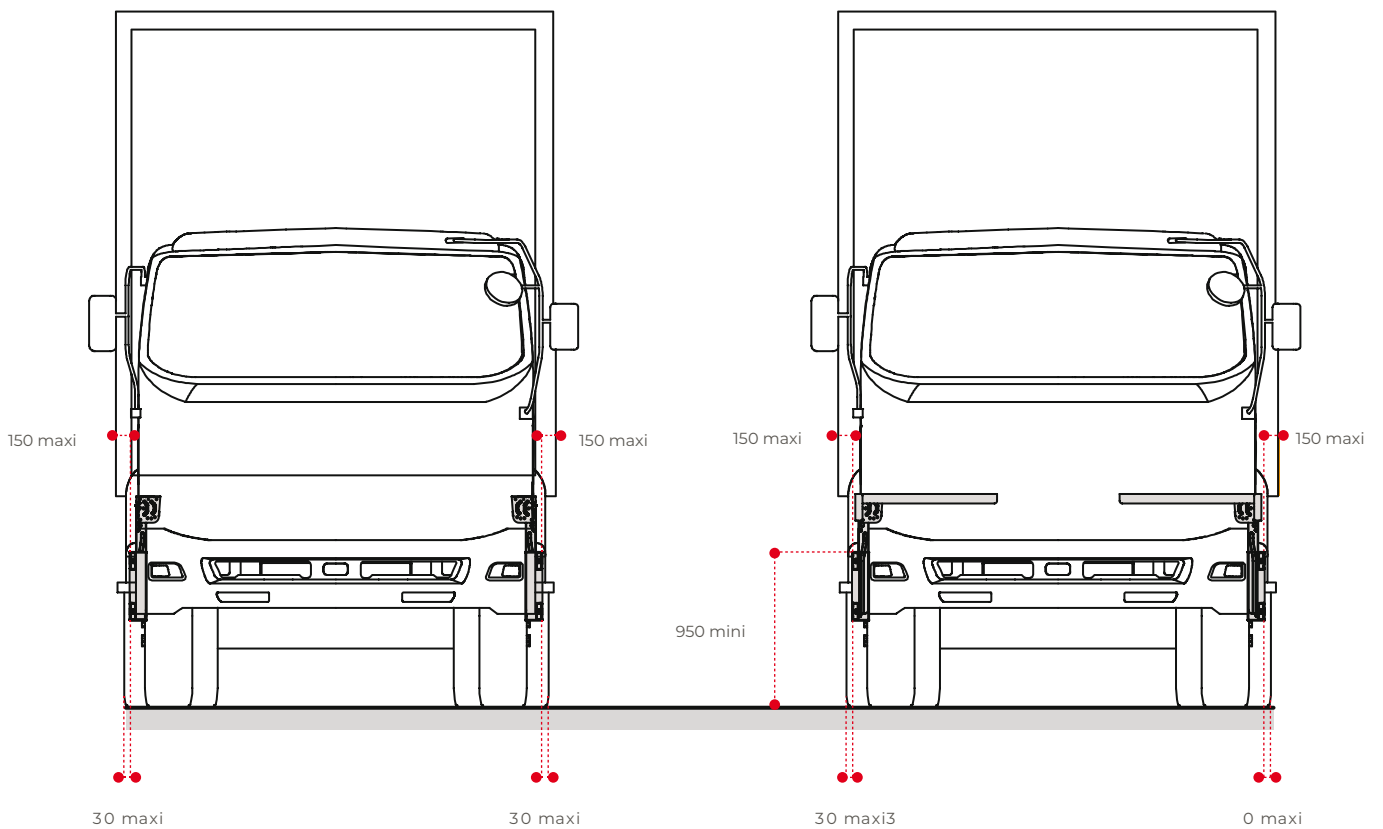
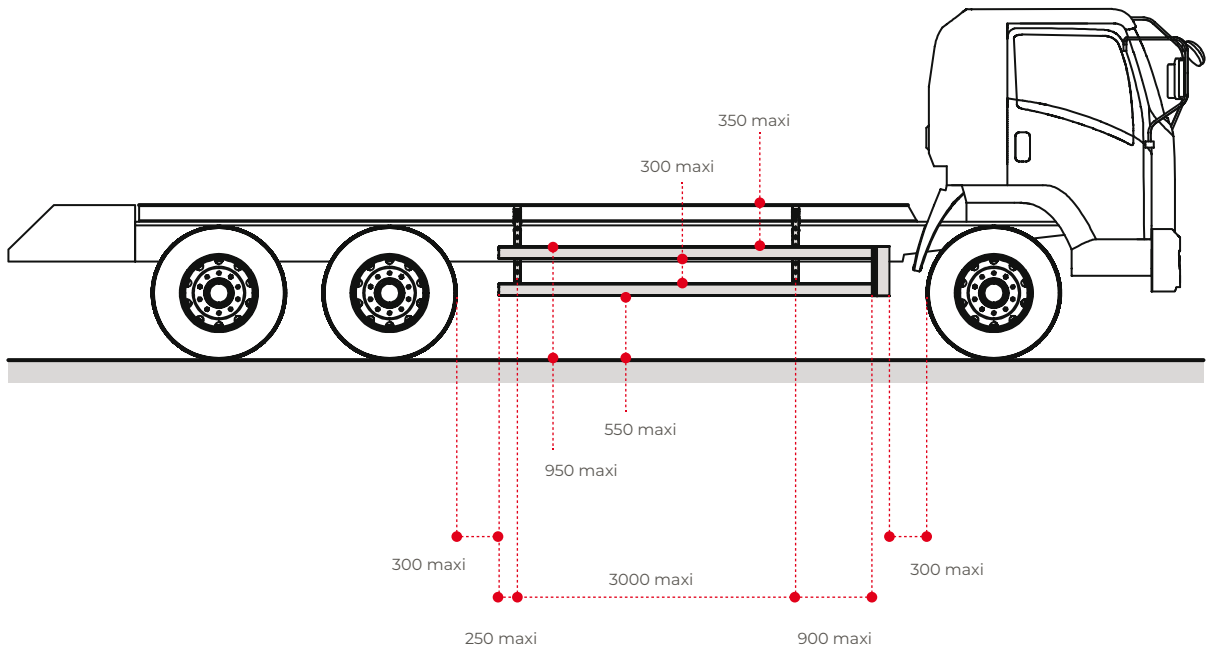


INNOVATIVE DESIGN, EASY TO FIT UP

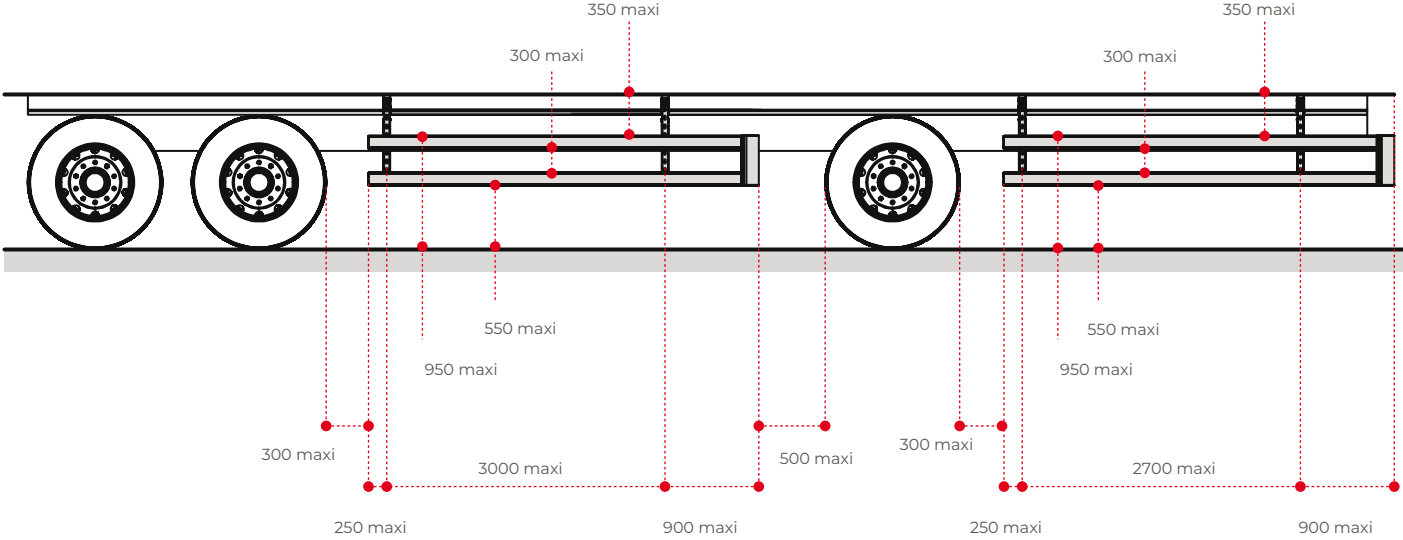


SIDE PROTECTION GUARD

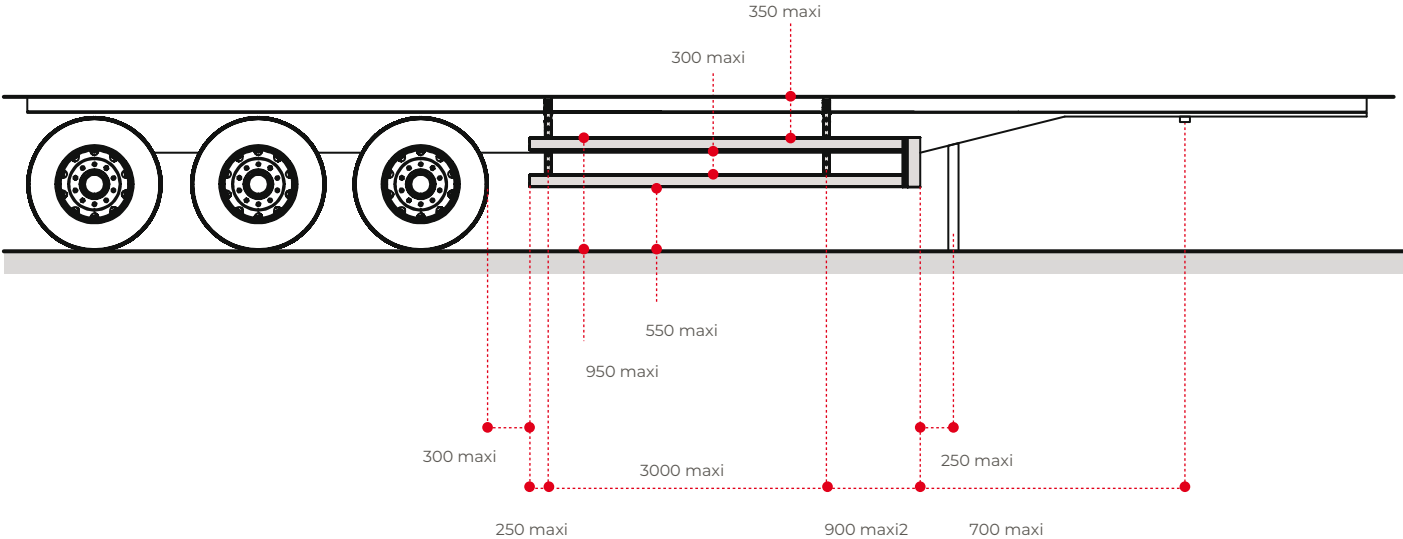
MOTORIZED VEHICLES N2 AND N3 CLASSES



TRAILERS 03 AND 04 CLASSES



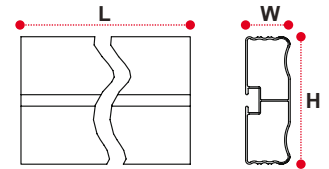
SEMI-TRAILERS 03 AND 04 CLASSES



ANODISED ALUMINIUM BAR FOR SIDE PROTECTION



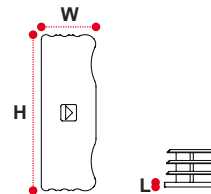
Part No.	Length (mm)	Width (mm)	Height (mm)	Weight (Kg)	Box	Pallet
93440032	3500	35	100	4.0	40	80
93440033	4500	35	100	5.1	40	80
93440034	5500	35	100	6.2	40	80
93440035	6500	35	100	7.4	40	80
93440001	7000	35	100	7.9	40	80



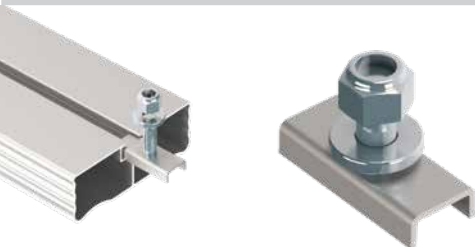
PLASTIC CAP FOR ALUMINIUM SIDE PROTECTION BARS



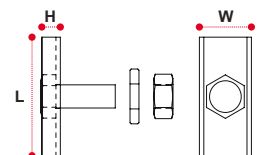
Part No.	Length (mm)	Width (mm)	Height (mm)	Weight (Kg)	Box	Colour
93440042	3	35	100	0.04	80	Grey
93440002	3	35	100	0.04	80	Black



FIXING KIT FOR ALUMINIUM BARS



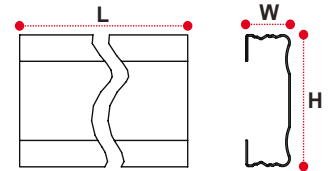
Part No.	Length (mm)	Width (mm)	Height (mm)	Weight (Kg)	Box
93440003	40	16.4	6.2	0.03	160



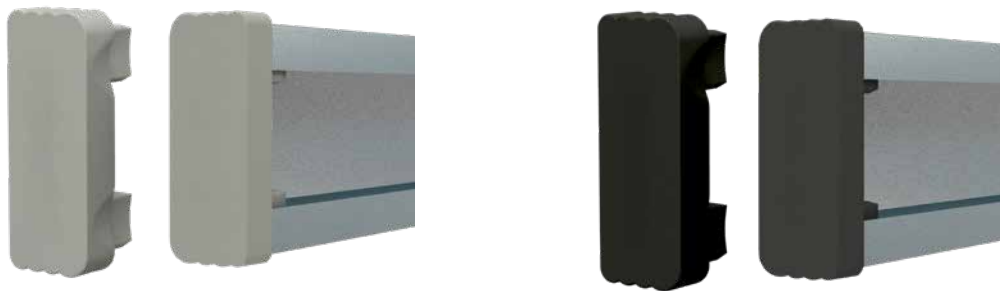
MAGNELIS® BAR FOR SIDE PROTECTION



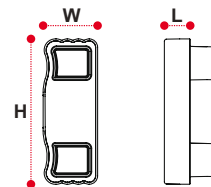
Part No.	Length (mm)	Width (mm)	Height (mm)	Weight (Kg)	Box	Pallet
93440044	3500	35	100	6.6	40	80
93440045	4500	35	100	8.5	40	80
93440046	5500	35	100	10.3	40	80
93440047	6500	35	100	12.2	40	80



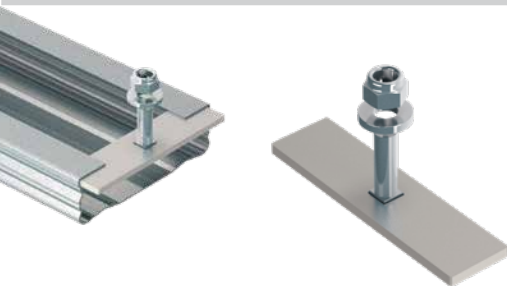
CAP FOR MAGNELIS® SIDE PROTECTING BARS



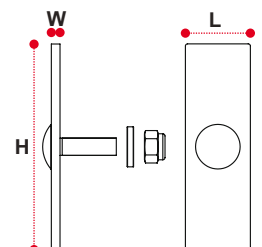
Part No.	Length (mm)	Width (mm)	Height (mm)	Weight (Kg)	Box	Colour
93440030	106	35	3	0.04	40	Grey
93440031	106	35	3	0.04	20	Black



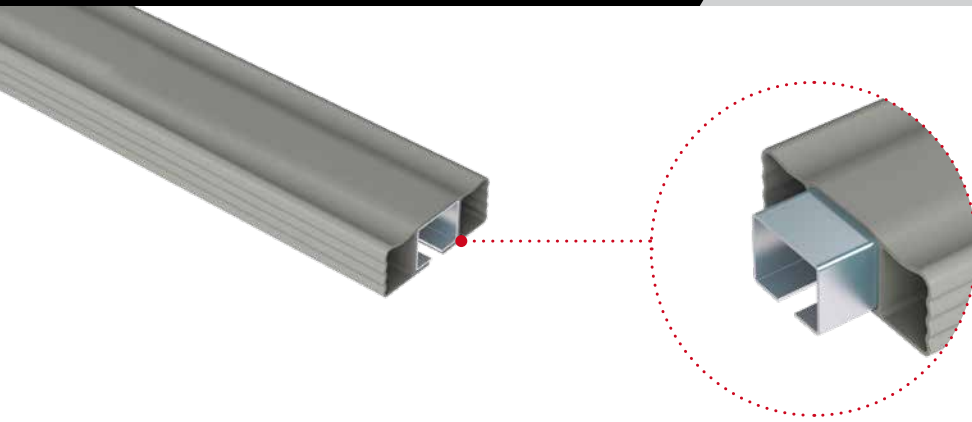
FIXING KIT FOR ALUMINIUM BARS



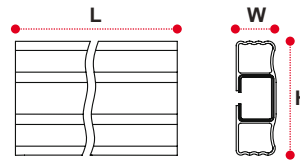
Part No.	Length (mm)	Width (mm)	Height (mm)	Weight (Kg)	Box
93440048	25	4	96	0.35	80



GREY PLASTIC BAR FOR SIDE PROTECTION



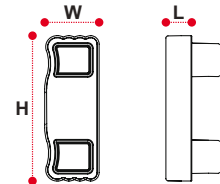
Part No.	Length (mm)	Width (mm)	Height (mm)	Weight (Kg)	Box	Pallet
93440008	3500	35	100	6.3	40	80
93440009	4500	35	100	8.1	40	80
93440010	5500	35	100	9.8	40	80
93440011	6500	35	100	11.7	40	80



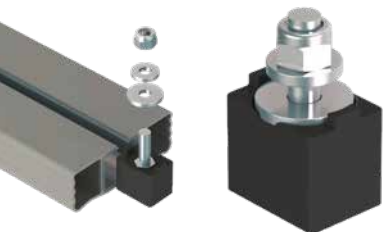
GREY PLASTIC CAP FOR MAGNELIS® SIDE PROTECTING BARS



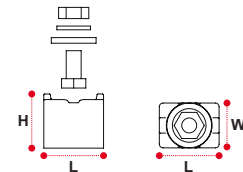
Part No.	Length (mm)	Width (mm)	Height (mm)	Weight (Kg)	Box	Colour
93440030	106	35	3	0.04	40	Grey



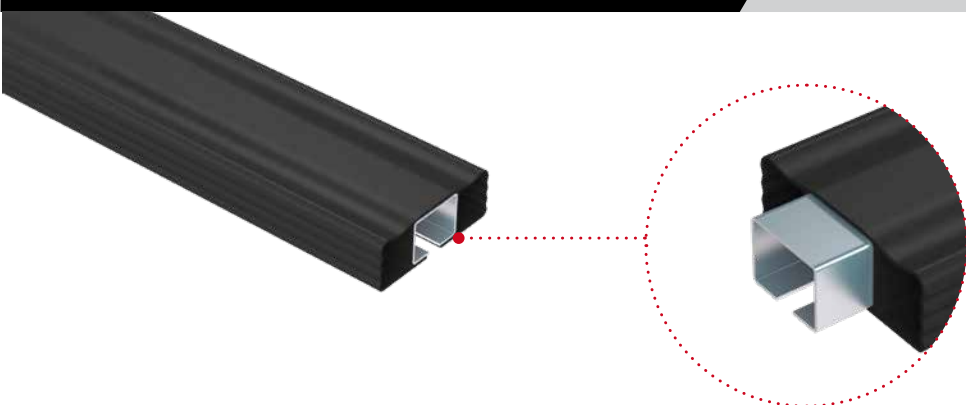
FIXING KIT FOR PLASTIC BARS



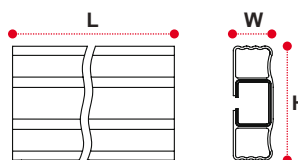
Part No.	Length (mm)	Width (mm)	Height (mm)	Weight (Kg)	Box
93440029	32	24	29	0.4	80



BLACK PLASTIC BAR FOR SIDE PROTECTION



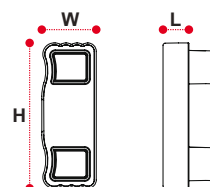
Part No.	Length (mm)	Width (mm)	Height (mm)	Weight (Kg)	Box	Pallet
93440012	3500	35	100	6.3	40	80
93440013	4500	35	100	8.1	40	80
93440014	5500	35	100	9.8	40	80
93440015	6500	35	100	11.7	40	80



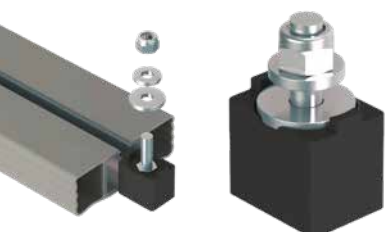
BLACK PLASTIC CAP FOR MAGNELIS® SIDE PROTECTING BARS



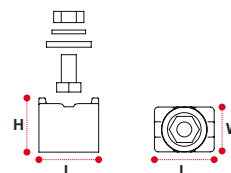
Part No.	Length (mm)	Width (mm)	Height (mm)	Weight (Kg)	Box	Colour
93440031	106	35	3	0.04	20	Black



FIXING KIT FOR PLASTIC BARS



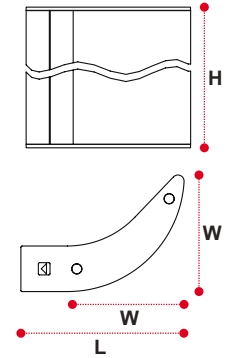
Part No.	Length (mm)	Width (mm)	Height (mm)	Weight (Kg)	Box
93440029	32	24	29	0.4	80



ALUMINIUM HEADER FOR ALUMINIUM SIDE PROTECTION BARS



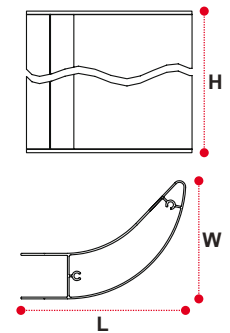
Part No.	Length (mm)	Width (mm)	Height (mm)	Weight (Kg)	Box	Pallet
93440036	140	100	100	0.2	40	1280
93440037	140	100	300	0.5	20	480
93440038	140	100	400	0.6	20	400
93440039	140	100	500	0.8	20	320



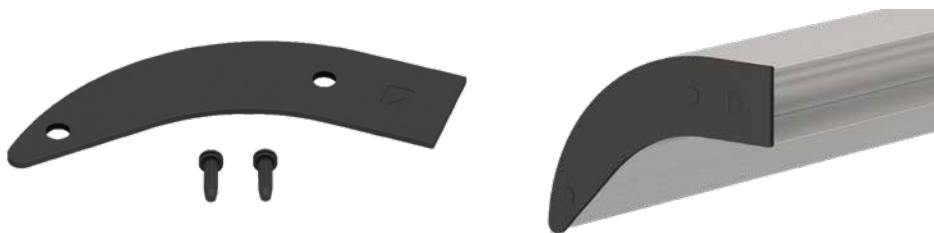
ANODISED ALUMINIUM HEADER PROFILE FOR ALUMINIUM SIDE PROTECTION BARS



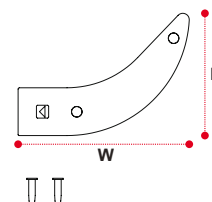
Part No.	Length (mm)	Width (mm)	Height (mm)	Weight (Kg)	Box	Pallet
93440040	140	100	3000	6.01	2	40
93440041	140	100	6500	13.03	2	40



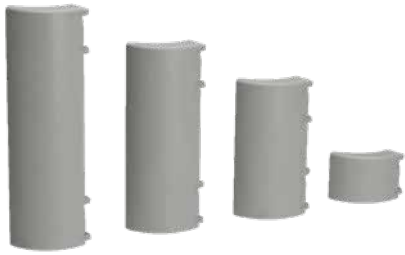
BLACK PLASTIC CAP FOR ALUMINIUM HEADER



Part No.	Length (mm)	Width (mm)	Height (mm)	Weight (Kg)	Box
93440043	140	100	3	0.02	80



GREY PLASTIC HEADER FOR SIDE PROTECTION



Plastic

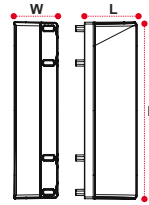


Alu



Magneils

Part No.	Length (mm)	Width (mm)	Height (mm)	Weight (Kg)	Box	Pallet
93440018	120	100	106	0.11	40	1280
93440020	120	100	300	0.25	20	480
93440022	120	100	400	0.31	20	400
93440024	120	100	500	0.38	20	320



BLACK PLASTIC HEADER FOR SIDE PROTECTION



Plastic

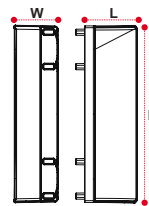


Alu



Magneils

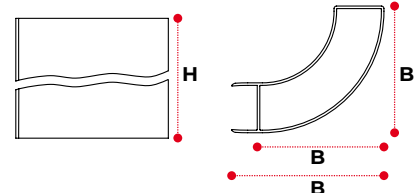
Part No.	Length (mm)	Width (mm)	Height (mm)	Weight (Kg)	Box	Pallet
93440019	120	100	106	0.11	40	1280
93440021	120	100	300	0.25	20	480
93440023	120	100	400	0.31	20	400
93440025	120	100	500	0.38	20	320



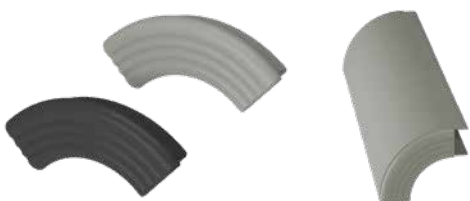
PLASTIC HEADER FOR SIDE PROTECTION



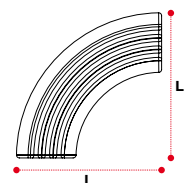
Part No.	Length (mm)	Width (mm)	Height (mm)	Weight (Kg)	Box	Pallet	Color
93440016	120	100	3000	2.03	2	60	Grey
93440017	120	100	3000	2.03	2	60	Black

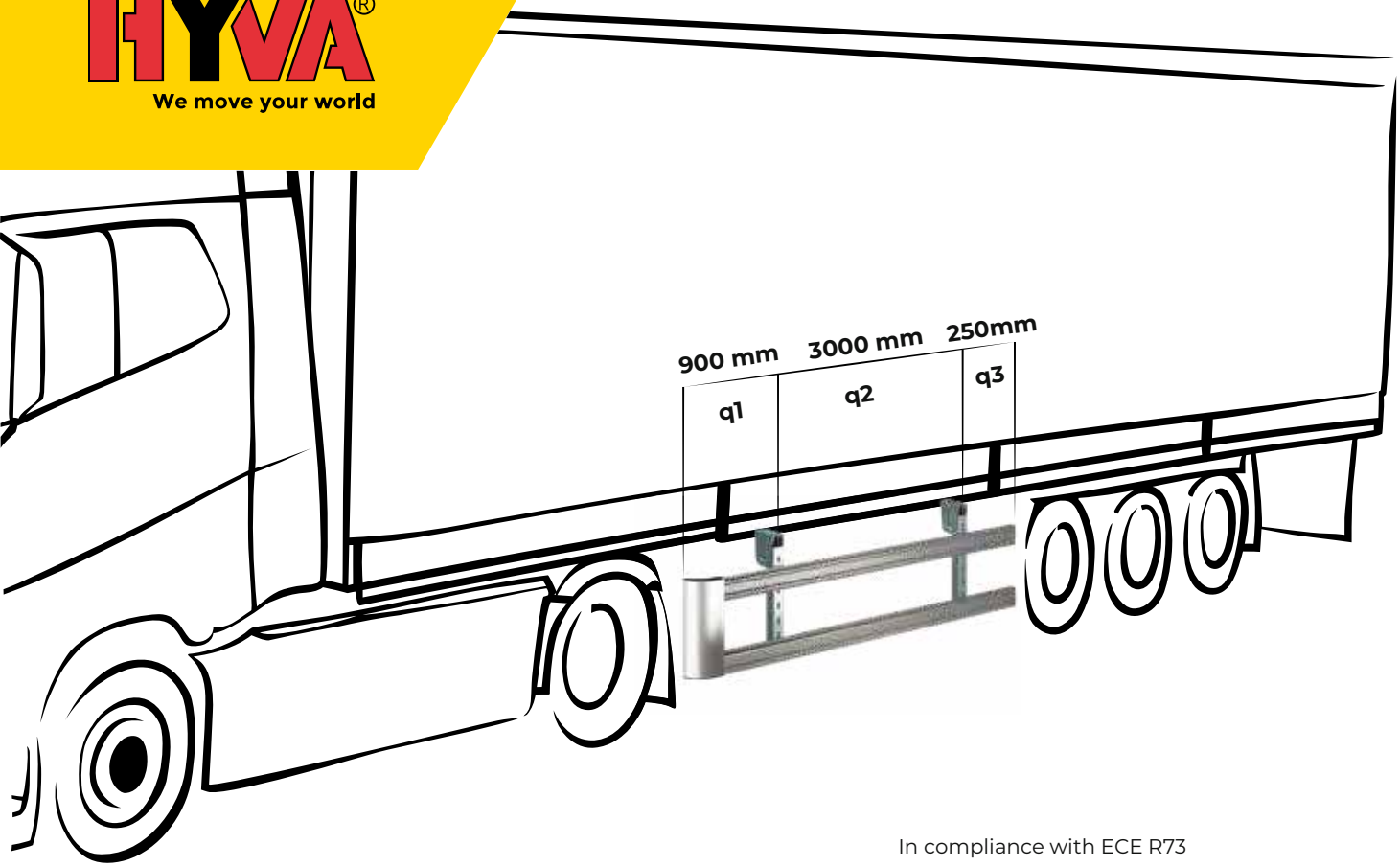


PLASTIC CAP FOR PLASTIC HEADER



Part No.	Length (mm)	Width (mm)	Height (mm)	Weight (Kg)	Pallet
93440026	100	41	28	0.04	40
93440027	100	41	28	0.04	40





In compliance with ECE R73



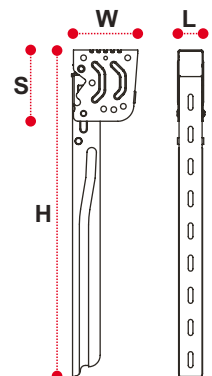
Approval No:

- 73 R - 011025 EXT 03
- 73 R - 011026 EXT 02
- 73 R - 011027 EXT 02
- 73 R - 011028 EXT 02



Vehicle
Certification
Agency

MAGNELIS® ADJUSTABLE BRACKET FOR SIDE PROTECTION

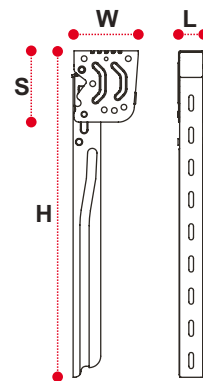


Part No.	Length (mm)	Width (mm)	Height (mm)	S (mm)	Weight (Kg)	Box	Pallet
TK3021	54.7	140	430	155	0.8	24	480
TK3023	54.7	140	572	155	1.8	24	480
93440005	54.7	140	710	155	2	24	352
TK3029	54.7	140	790	155	2.2	24	352

BLACK VARNISHED POWDER ADJUSTABLE BRACKET FOR SIDE PROTECTION



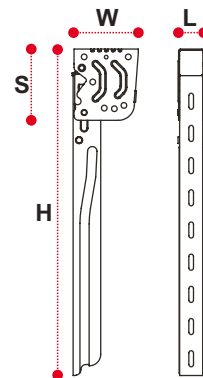
Part No.	Length (mm)	Width (mm)	Height (mm)	S (mm)	Weight (Kg)	Box	Pallet
TK3044	54.7	140	572	155	1.8	24	480
TK3048	54.7	140	710	155	2	24	352



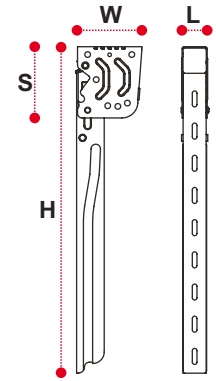
STAINLESS STEEL ADJUSTABLE BRACKET FOR SIDE PROTECTION



Part No.	Length (mm)	Width (mm)	Height (mm)	S (mm)	Weight (Kg)	Box	Pallet
TK3034	54.7	140	572	155	1.6	24	480
TK3038	54.7	140	430	155	1.8	24	352

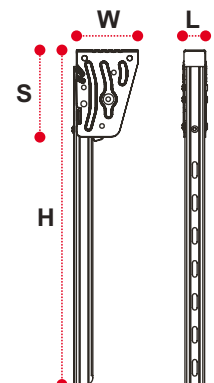


POLISHED STAINLESS STEEL ADJUSTABLE BRACKET FOR SIDE PROTECTION



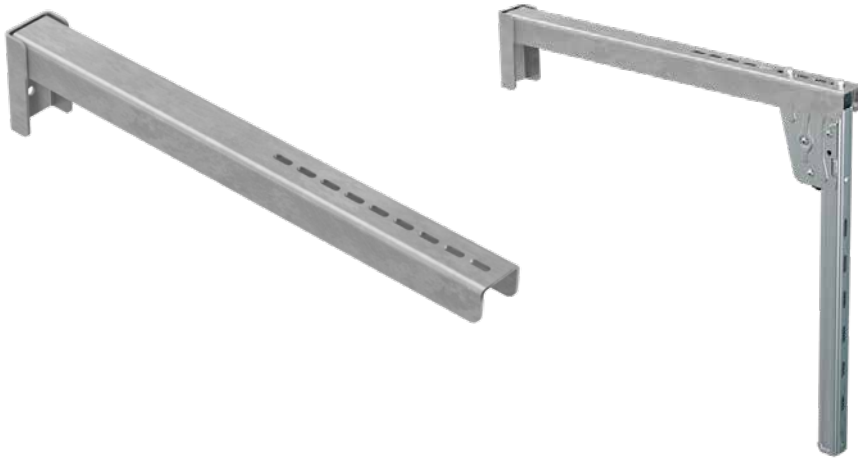
Part No.	Length (mm)	Width (mm)	Height (mm)	S (mm)	Weight (Kg)	Box	Pallet
93440054	46	130	572	185	1.50	24	480
93440056	46	130	710	185	1.57	24	360

POLISHED STAINLESS STEEL ADJUSTABLE BRACKET FOR SIDE PROTECTION

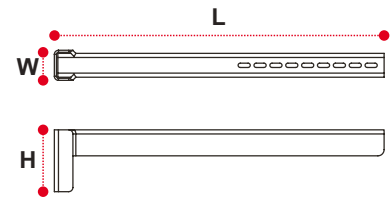


Part No.	Length (mm)	Width (mm)	Height (mm)	S (mm)	Weight (Kg)	Box	Pallet
93440054	46	130	572	185	1.50	24	480
93440056	46	130	710	185	1.57	24	360

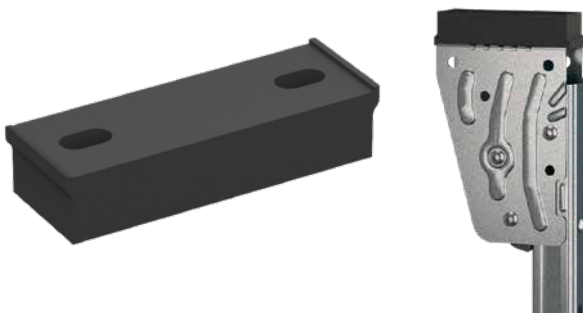
ROUGH SUPPORT FOR ADJUSTABLE BRACKET



Part No.	Length (mm)	Width (mm)	Height (mm)	> <	Weight (Kg)	Box	Pallet
93440004	800	83	150	5	5.82	24	480
93440063	800	74	150	5	6	24	480



PLASTIC SUPPORT FOR BRACKET



Part No.	Length (mm)	Width (mm)	Height (mm)	Weight (Kg)	Box
TK3092	146	49.7	32	0.11	60
93440064	136	41.5	32	0.08	60

SPARE PARTS FOR ADJUSTABLE BRACKET



PLASTIC CAP
Part No. 50000117



NYLON SPRING
Part No. 50000112



ZINC PLATED EXTRA PIN
Part No. 93440006



STAINLESS STEEL
EXTRA PIN
Part No. 50000103



NYLON SPRING
Part No. 50000030



ZINC PLATED EXTRA PIN
Part No. 50000016

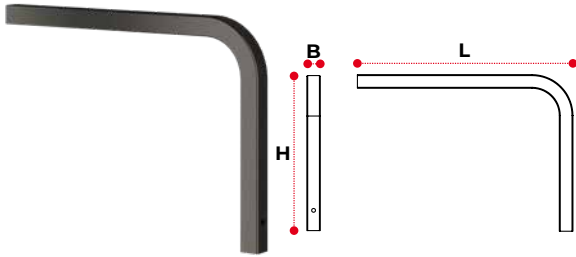


STAINLESS STEEL
EXTRA PIN
Part No. 50000032



PLASTIC CORD FOR
EXTRA PIN
Part No. 50000116

CATAPHORESIS COATED SQUARE TUBE BRACKET



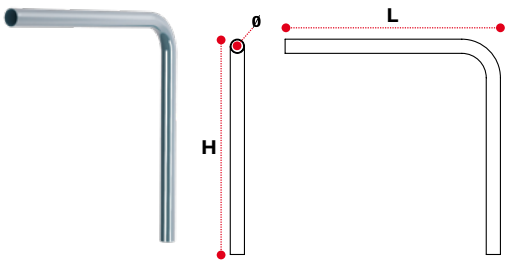
Part No.	Length (mm)	Width (mm)	Height (mm)	Weight (Kg)	Box	Pallet
TK3062	475	30	345	1.87	10	100

ASSOCIATED PRODUCTS



TK6825

ZINC PLATED TUBE FOR SIDE PROTECTION



Part No.	Length (mm)	Ø	Height (mm)	Weight (Kg)	Box	Pallet
93440062	810	54	810	3.9	10	100

ASSOCIATED PRODUCTS



93440028

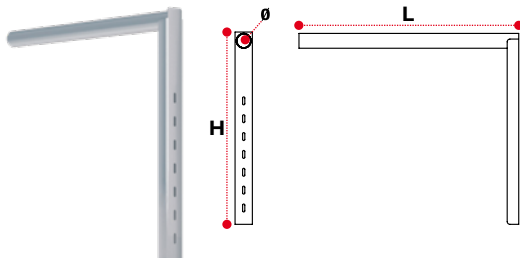


93440067



93440068

ZINC PLATED BRACKETS FOR SIDE PROTECTION



Part No.	Length (mm)	Ø	Height (mm)	Weight (Kg)	Box	Pallet
93440059	802	54	700	3.5	10	100

ASSOCIATED PRODUCTS

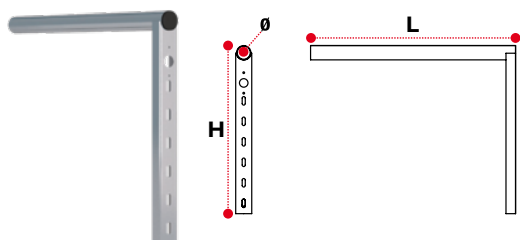


93440067



93440068

ZINC PLATED FIXED BRACKET FOR SIDE PROTECTION Ø 42



Part No.	Length (mm)	Ø	Height (mm)	Weight (Kg)	Box	Pallet
93440060	600	42	492	1.9	10	100

ASSOCIATED PRODUCTS



93440065

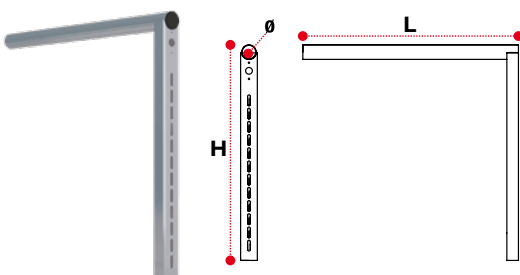


93440066



93440070

ZINC PLATED FIXED BRACKETS FOR SIDE PROTECTION Ø 54



Part No.	Length (mm)	Ø	Height (mm)	Weight (Kg)	Box	Pallet
93440061	800	54	800	3.5	10	100

ASSOCIATED PRODUCTS



93440065

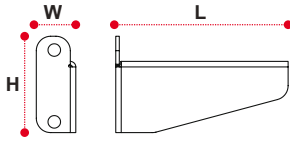


93440068



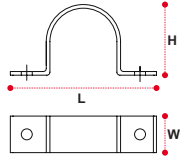
93440069

CATAPHORESIS COATED SUPPORT FOR SQUARE TUBE BRACKET



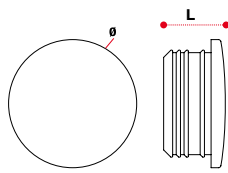
Part No.	Length (mm)	Width (mm)	Height (mm)	Weight (Kg)	Box	Pallet
TK6825	144	33	80.5	0.29	20	720

ZINC PLATED CAP NUT



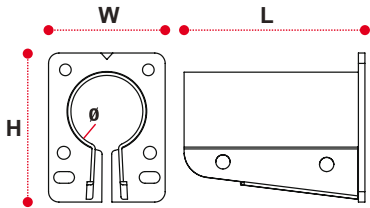
Part No.	Length (mm)	Width (mm)	Height (mm)	Weight (Kg)	Box	Pallet
93440028	121	30	57	0.14	8	40

PLASTIC CAP FOR FIXED BRACKET



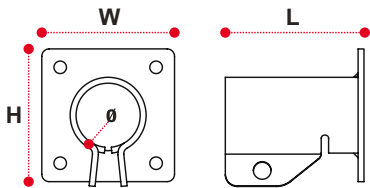
Part No.	Ø (mm)	Length (mm)	Weight (Kg)	Box	Pallet
93440069	54	26	0.01	30	300
93440070	42	26	0.01	50	400

ZINC PLATED REINFORCED SUPPORT FOR TUBE



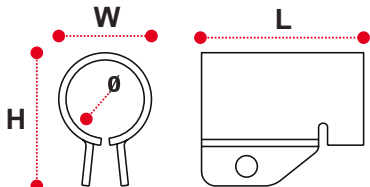
Part No.	Ø (mm)	Length (mm)	Width (mm)	Height (mm)	Weight (Kg)	Box
93440067	54	139	90	117	0.9	20

ZINC PLATED SUPPORT FOR FIXED BRACKET



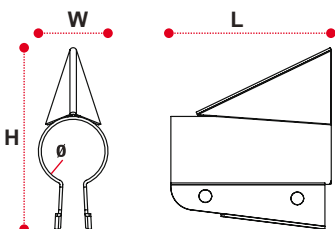
Part No.	Ø (mm)	Length (mm)	Width (mm)	Height (mm)	Weight (Kg)	Box
93440065	42	94	84	84	0.7	50

ROUGH SUPPORT FOR FIXED BRACKET



Part No.	Ø (mm)	Length (mm)	Width (mm)	Height (mm)	Weight (Kg)	Box
93440066	42	90	51.4	74	0.46	50

ROUGH REINFORCED SUPPORT WITH TRIANGLE FOR TUBE



Part No.	Ø (mm)	Length (mm)	Width (mm)	Height (mm)	Weight (Kg)	Box
93440068	54	139.5	44.2	158	0.7	20

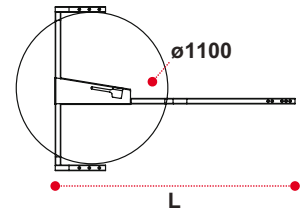
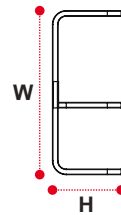
WELDED FIXED WHEEL CARRIER FOR SINGLE TIRE



CHASSIS DIMENSIONS



min. 1320mm, max 14 80mm

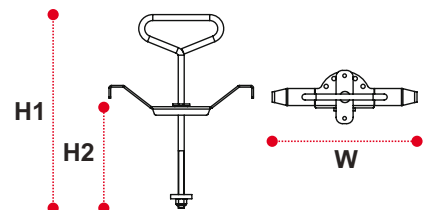


Part No.	Length (mm)	Width (mm)	Height (mm)	Weight (Kg)	Box	Pallet
93440071	1740	1190	498	17.48	1	30

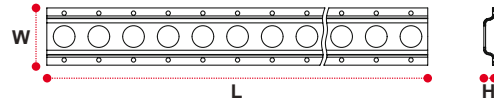
BLACK ZINC-NICKEL BRACKET FOR FIXED WHEEL CARRIER 350H



Part No.	Width (mm)	Height 1 (mm)	Height 2 (mm)	Weight (Kg)	Box	Pallet
93440072	340	455	350	2.04	10	300

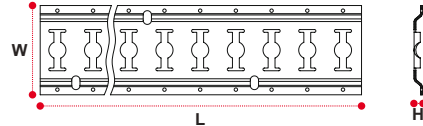
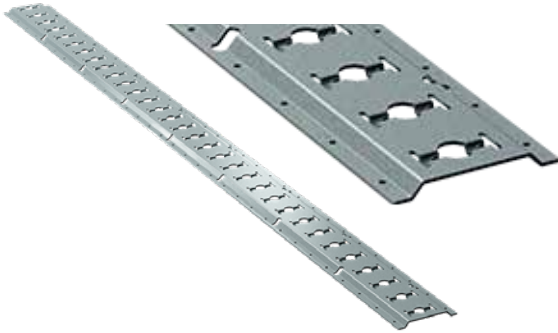


MAGNELIS® LASHING TRACK (OMEGA PROFILE) 65 MM



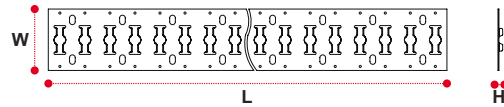
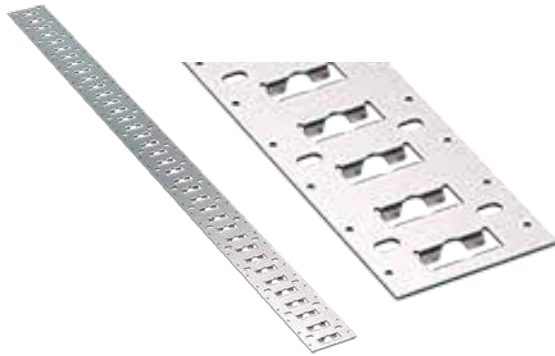
Part No.	Length (mm)	Width (mm)	Height (mm)	> <	Weight (Kg)	Box	Pallet
93440073	2988	65	12.5	2	3.06	10	200

MAGNELIS® LASHING TRACK (OMEGA PROFILE) 132 MM



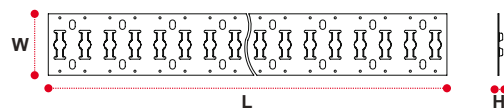
Part No.	Length (mm)	Width (mm)	Height (mm)	> <	Weight (Kg)	Box	Pallet
93440074	2964	132	11.5	2	5.50	10	100

ZINC PLATED FLAT LASHING TRACK 130 MM



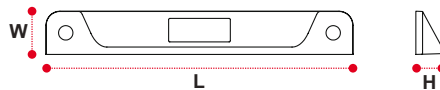
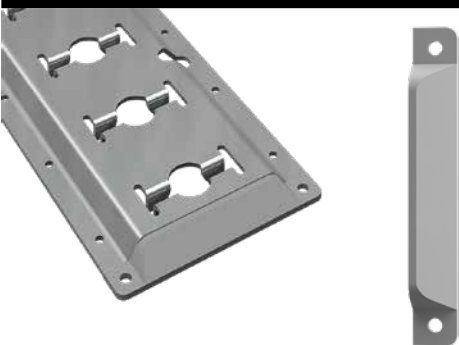
Part No.	Length (mm)	Width (mm)	Height (mm)	> <	Weight (Kg)	Box	Pallet
93440075	2964	130	10	2.5	6.3	10	100

STAINLESS STEEL FLAT LASHING TRACK 130 MM



Part No.	Length (mm)	Width (mm)	Height (mm)	> <	Weight (Kg)	Box	Pallet
93440076	2964	130	10	2	5.1	10	100

GREY PLASTIC CAP FOR LASHING TRACKS (OMEGA PROFILE) 132 MM



Part No.	Length (mm)	Width (mm)	Height (mm)	Weight (Kg)	Box
93440077	19	132	11.2	0.01	100



HYVA TOOLBOX

SKANDERBORG



Specifications	
Material	Aluminium Checkerplate
Lock	2 Padlock preparation on H
	1 Padlock preparation on A/C/D/E/F/G
	1 SS T-Lock on B
Gas strut/Steel cable	D 1 Gas Strut
	1 Gas Strut
Seal	Only on 900
EAN code	Yes
Opening lid	Opening behind the box
	900 Opening above the box
Handles	760 2 Handles
	1230 2 Handles

	Length (mm)		Depth (mm)		Height (mm)		Weight
	Outer	Inside	Outer	Inside	Outer	Opening	
A	760	715	320	280	245	235	6 kg
B	900/660	756/610	300	185	350	310	8 kg
C	840	795	310	270	400	390	7 kg
D	840	795	320	280	245	235	8kg
E	850	805	350	310	320	310	8kg
F	850	805	400	360	230	220	8kg
G	865/395	820/350	485	445	460	450	9 kg
H	1230	1185	380	340	380	370	12 kg

AALBORG



Specifications

Material	Aluminium Checkerplate
Lock	1 SS T-lock 700 - 950 2 SS T-locks 1250 - 1950 XL
Gas strut/Steel cable	2 gas struts
Opening lid	hinges
EAN code	Yes
Seal	Yes

Length (mm)		Depth (mm)		Height (mm)			Weight
Outer	Opening	Outer	Opening	Outer	Opening		
700	630	400	280	450	390	340	9 kg
950	890	600	520	500	440	340	16 kg
1250	1190	630	520	530	470	370	22 kg
1570	1510	630	520	530	470	370	29 kg
1800	1740	630	520	530	470	370	40 kg
1900	1840	630	520	530	470	370	45 kg
1950	1890	630	570	530	470	370	47 kg
1950 XL	1890	775	665	630	570	470	77 kg

NORDBORG



Specifications

Material	Aluminium Checkerplate
Lock	1 RVS T-lock 600 and 800 2 SS T-locks 1000 - 1900
Gas strut	1 on 600 2 on 800/1900
Opening lid	hinges
EAN code	Yes
Seal	Yes

Length (mm)		Depth (mm)		Height (mm)		Weight
Outer	Opening	Outer	Opening	Outer	Inside	
600	520	300	190	300	260	6 kg
800	720	450	340	650	610	13 kg
1000	920	600	480	600	560	20 kg
1200	1120	600	480	600	560	30 kg
1500	1390	560	440	470	430	31 kg
1500	1820	600	480	600	560	45 kg

VIBORG



C



A

B



D

Specifications

Material	1850/1985	Aluminium Checkerplate
	2100	Stainless steel
Lock	4 SS T-locks	
Gas strut/Steel cable	2 gas struts	
Opening lid	hinges	
EAN code	Yes	
Seal	Yes	
Doors	1900	510 w x 710 h
	1850 - 1985	510 w x 400 h
	2100	275 w x 740 h
Side doors	Yes	
Partition	Yes	

	Length (mm)		Depth (mm)		Height (mm)			Weight
	Outer	Opening	Outer	Opening	Outer	Inside		
A	1850	1680	600	490	600	560		50 kg
B	1985	1810	600	490	600	560		55 kg
C	1900	1730	600	490	1000	940	840	92 kg
D	2100	1915	400	340	1000	990	910	115 kg

SVENDBORG

Specifications

Material	A	Powder coated steel
	B	Stainless steel 304
Lock	1 lock per sliding door	
Sliding door	Aluminium sliding door	
EAN code	Yes	
Seal	Yes	
Colour	A	RAL You can choose your own colour
	B	Stainless steel
Guides	Galvanised for sliding door	



	Length (mm)	Depth (mm)	Height (mm)	Weight	Thickness
	Outer	Outer	Outer		
A	2100	800	1500	221 kg	2,0 mm
B	2100	800	1500	221 kg	2,0 mm

FAABORG

Specifications

Material	Stainless steel 304/Inox 304
Lock	2 SS T-locks
Gas strut/Steel cable	2 chains
Opening lid	SS hinges
EAN code	Yes
Seal	Yes
Material thickness	2 mm



Length (mm)		Depth (mm)		Height (mm)		Weight		
Outer	Opening	Outer	Opening	Outer	Inside			
2060	1495	1980	1470	630	540	530	515	86 kg

AUGUSTENBORG

Specifications	
Material	Powder coated steel
Lock	Padlock preparation
Gas strut/Steel cable	2 gas struts
EAN code	Yes
Seal	Yes
Opening lid	hinges
TÜV certificate	A approved for 750 kg TÜV
Handles	2
Hanging points	4 pcs on A No on B
Forklift holes	2



	Length (mm)		Depth (mm)		Height (mm)		Weight
	Outer	Opening	Outer	Opening	Outer	Inside	
A	1010	925	1000	875	705	510	101 kg
B	1220	1145	760	635	840	700	104 kg

HELSINGBORG

Specifications	
Material	Powder coated steel
Lock	2 T-Lock + 2 Locking pins
Gas strut/Steel cable	2 Gas strut + 1 Locking pole
Opening lid	Screw joint
EAN code	Yes
Seal	Yes
Forklift holes	3
Partition	3
Drawers	4 (110 high x 800 wide)
Capacity drawers	max. 80 till 100 kilo per drawer



Length (mm)		Depth (mm)		Height (mm)		Weight
Outer	Opening	Outer	Opening	Outer	Inside	
1770	1660	600	430	750	460	188 kg

GULDBORG

Specifications	
Material	Galvanized steel 1,5mm
Lock	2 adjustable latches per side
Gas strut/Steel cable	No
Opening lid	Bottom hinged
EAN code	No
TÜV certificate	Yes
Delivered as a kit	Yes, with mounting hardware



Length (mm)		Depth (mm)		Height (mm)		Weight	Thickness
Outer	Opening	Outer	Inside	Outer	Opening		
2710	2625	2445	2400	485	430	272	1,5mm
2710	2625	2445	2400	610	555	288	1,5mm
2710	2625	2445	2400	660	605	295	1,5mm

SONDERBORG STEEL 2 MM



Specifications	
Material	Powder coated steel Galvanized steel
Lock	2 SS T-locks 1000 - 1600 3 T-Locks + 2600
Gas strut/Steel cable	2 steel cable
Opening lid	hinges
EAN code	Yes
Seal	Yes



Length (mm)		Depth (mm)		Height (mm)		Weight	Thickness
Outer	Opening	Outer	Inside	Outer	Opening		
1000	925	550	540	500	400	48 kg	2 mm
1200	1120	550	540	500	400	55 kg	2 mm
1600	1520	400	390	400	300	51 kg	2 mm
2600 only galvanized, not powder coated!							
2600	2520	550	540	500	400	99 kg	2 mm

SONDERBORG STEEL 2 MM



Specifications

Material	Powder coated steel
Lock	1 SS T-lock 500 t/m 700 2 SS T-locks 1000 - 1500
Gas strut/Steel cable	2 steel cable
Opening lid	hinges
EAN code	Yes
Seal	Yes
ECE Homologation	Yes ECE R73

Length (mm)		Depth (mm)		Height (mm)		Weight	Thickness
Outer	Opening	Outer	Inside	Outer	Opening		
500	420	400	320	350	330	15 kg	1,5 mm
600	520	400	380	400	320	20 kg	1,5 mm
700	620	500	480	500	420	25 kg	1,5 mm
800	720	400	380	400	320	25 kg	1,5 mm
800	720	500	480	500	420	35 kg	1,5 mm
1000	920	400	380	400	320	27 kg	1,5 mm
1000	920	500	480	500	420	35 kg	1,5 mm
1200	1120	400	380	400	320	39 kg	1,5 mm
1200	1120	550	530	500	420	45 kg	1,5 mm
1500	1420	550	530	500	420	50 kg	1,5 mm

GOTEBORG



Specifications

Material	Aluminium Checkerplate
Lock	1 T-Lock
Gas strut/Steel cable	2 chains
Opening lid	hinges
EAN code	Yes
TÜV certificate	Yes
ECE Homologation	Yes ECE R73

Length (mm)		Depth (mm)		Height (mm)		Weight	Thickness
Outer	Opening	Outer	Inside	Outer	Opening		
500	420	500	450	500	420	10 kg	1,5mm
600	520	290	210	300	220	5 kg	1,5mm
600	520	400	350	400	320	12 kg	1,5mm
600	520	500	450	500	420	13 kg	1,5mm
600	520	600	550	500	420	15 kg	1,5mm
700	620	290	210	300	220	7 kg	1,5mm
700	620	500	450	500	420	15 kg	1,5mm
800	720	500	450	500	420	17 kg	1,5mm
800	720	600	550	600	520	19 kg	1,5mm
1000	920	500	450	500	420	22 kg	1,5mm
1000	920	600	550	600	520	24 kg	1,5mm
1200	1120	500	450	500	320	24 kg	1,5mm
1200	1120	600	550	600	520	27 kg	1,5mm

SONDERBORG STAINLESS STEEL 2 MM



Specifications

Material	Stainless steel 304
Lock	1 SS T-lock 500 - 700x550D 2 SS T-locks 800x400 - 1600
Gas strut/Steel cable	2 steel cable
Opening lid	SS hinges
EAN code	Yes
TÜV certificate	Yes
ECE Homologation	Yes ECE R73

Length (mm)		Depth (mm)		Height (mm)		Weight	Thickness
Outer	Opening	Outer	Inside	Outer	Opening		
500	420	400	380	350	270	15 kg	1,5mm
500	420	500	480	500	420	17 kg	1,5mm
600	520	400	380	400	320	20 kg	1,5mm
600	520	600	580	500	420	24 kg	1,5mm
600	520	600	500	600	520	26 kg	1,5mm
700	620	500	480	500	420	25 kg	1,5mm
800	720	500	480	500	420	28 kg	1,5mm
800	720	600	550	600	520	36 kg	1,5mm
1000	920	400	380	400	320	30 kg	1,5mm
1000	920	500	480	500	420	36 kg	1,5mm
1000	920	600	550	600	520	40 kg	1,5mm
1200	1120	500	480	500	320	40 kg	1,5mm
1200	1120	600	550	600	520	48 kg	1,5mm
1450	1370	500	480	500	420	43 kg	1,5mm
1450	1370	600	550	600	520	47 kg	1,5mm

Length (mm)		Depth (mm)		Height (mm)		Weight	Thickness
Outer	Opening	Outer	Inside	Outer	Opening		
400	320	600	550	600	520	17 kg	1,5mm
500	420	400	350	350	270	15 kg	1,5mm
500	420	500	450	500	420	17 kg	1,5mm
500	420	550	500	500	420	18 kg	1,5mm
600	520	600	550	300	220	17 kg	1,5mm
600	520	600	550	350	270	18 kg	1,5mm
600	520	400	350	400	320	20 kg	1,5mm
600	520	500	450	500	420	22 kg	1,5mm
600	520	600	550	500	420	24 kg	1,5mm
600	520	600	500	600	520	26 kg	1,5mm
700	620	500	450	500	420	25 kg	1,5mm
700	620	550	500	500	420	26 kg	1,5mm
800	720	400	350	400	320	26 kg	1,5mm
800	720	500	450	500	420	28 kg	1,5mm
800	720	550	500	500	420	30 kg	1,5mm
800	720	600	550	600	520	36 kg	1,5mm
1000	920	400	350	400	320	30 kg	1,5mm
1000	920	500	450	500	420	36 kg	1,5mm
1000	920	550	500	500	420	38 kg	1,5mm
1000	920	600	550	600	520	40 kg	1,5mm
1200	1120	400	350	400	320	38 kg	1,5mm
1200	1120	500	450	500	320	40 kg	1,5mm
1200	1120	550	500	500	420	45 kg	1,5mm
1200	1120	600	550	600	520	48 kg	1,5mm
1250	1170	550	500	500	420	48 kg	1,5mm
1500	1420	500	450	500	420	48 kg	1,5mm
1500	1420	550	500	500	420	50 kg	1,5mm
1600	1520	400	350	400	320	48 kg	1,5mm

Length (mm)		Depth (mm)		Height (mm)		Weight	Thickness
Outer	Opening	Outer	Inside	Outer	Opening		
500	420	400	380	350	270	15 kg	1,5mm
500	420	500	480	500	420	17 kg	1,5mm
600	520	400	380	400	320	20 kg	1,5mm
600	520	600	580	500	420	24 kg	1,5mm
600	520	600	500	600	520	26 kg	1,5mm
700	620	500	480	500	420	25 kg	1,5mm
800	720	500	480	500	420	28 kg	1,5mm
800	720	600	550	600	520	36 kg	1,5mm
1000	920	400	380	400	320	30 kg	1,5mm
1000	920	500	480	500	420	36 kg	1,5mm
1000	920	600	550	600	520	40 kg	1,5mm
1200	1120	500	480	500	320	40 kg	1,5mm
1200	1120	600	550	600	520	48 kg	1,5mm
1450	1370	500	480	500	420	43 kg	1,5mm
1450	1370	600	550	600	520	47 kg	1,5mm

SONDERBORG PLASTIC

Specifications	
Material	Plastic
Lock	1 Lock on 400 and 500 2 Locks on 600 and 1000 3 Locks on 1250
EAN code	Yes
Opening lid	Plastic hinges
ECE Homologation	Yes ECE R73
Colour	Full black



Length (mm)		Depth (mm)		Height (mm)		Weight
Outer	Opening	Outer	Opening	Outer	Inside	
410	330	340	260	348	268	3 kg
480	400	400	320	400	320	5 kg
630	550	480	400	450	370	8 kg
685	605	500	420	500	420	9 kg
830	750	470	390	500	420	10.5 kg
1030	950	455	375	500	420	13 kg
1250	1170	520	440	524	444	15.5 kg

KALUNDBORG PLASTIC

Specifications	
Material	Plastic
Lock	2 clamps and Padlock preparation
Opening lid	Plastic hinges
EAN code	Yes
Colour	Black and red
Temperature resistance	-40/+80 °C
Seal	Yes
Strap for fire extinguisher box	Yes



	Length (mm)	Depth (mm)	Height (mm)	Weight
	Outer	Outer	Outer	
6 kg	270	230	632	2.5 kg
9/12 kg	290	230	786	4.5 kg

ROSENBORG 2 MM

Specifications	
Material	Stainless steel or steel powdercoated with Stainless steel lid
Lock	1 SS T-Lock
Gas strut/Steel cable	2 chains
Opening lid	2 SS hinges
EAN code	Yes
Seal	Yes
Ramp	Yes
Reinforcement	Yes U profile under box
Cut-out	Yes, on both sides for handles



	Length (mm)		Depth (mm)		Height (mm)		Weight
	Outer	Opening	Outer	Inside	Outer	Opening	
Stainless steel/steel	670	600	1580	1560	680	600	76 kg
Stainless steel/steel	800	730	1580	1560	680	600	80 kg
Stainless steel	670	600	1580	1560	680	600	76 kg
Stainless steel	800	730	1580	1560	680	600	80 kg

FORDINGBORG 2MM

Specifications	
Material	Stainless steel with Stainless steel lid
Lock	2 SS T-locks
Gas strut/Steel cable	2 gas struts
Opening lid	SS hinges
EAN code	Yes
Seal	Yes
Ramp	No
Reinforcement	Yes profile under box
Corner bracing	Yes, 2 for bottom plate
Anchorage points	No



	Length (mm)		Depth (mm)		Height (mm)		Weight
	Outer	Opening	Outer	Inside	Outer	Opening	
Stainless steel/steel	1250	1170	1100	1080	680	600	100 kg
Stainless steel	1250	1170	1100	1080	680	600	100 kg

PADBORG 2MM

Specifications	
Material	2mm SS
Lock	1 T-Lock
Gas strut/Steel cable	No
Opening lid	No
EAN code	Yes
Seal	Yes
Reinforcement	Yes, internal
Hanging points	<ul style="list-style-type: none"> ● 2 strips for chains ● cam shackle ● optional 4 hooks 25 euro

Length (mm)	Depth (mm)	Height (mm)	Weight
Outer	Outer	Outer	
460	600	620	60 kg
510	520	620	56 kg
510	600	620	60 kg



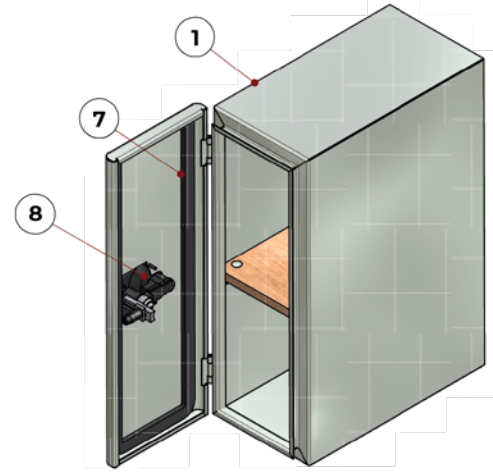
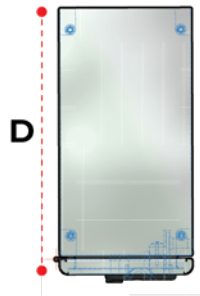
FORDINGBORG 2MM

Specifications	
Material	Stainless steel with Stainless steel lid
Lock	2 SS T-locks
Gas strut/Steel cable	2 gas struts
Opening lid	SS hinges
EAN code	Yes
Seal	Yes
Ramp	No
Reinforcement	Yes profile under box
Corner bracing	Yes, 2 for bottom plate
Anchorage points	No

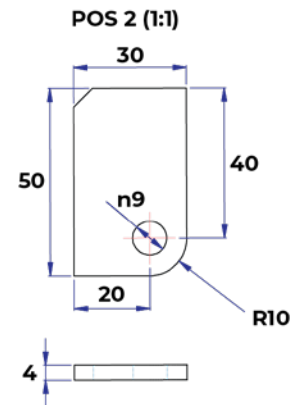
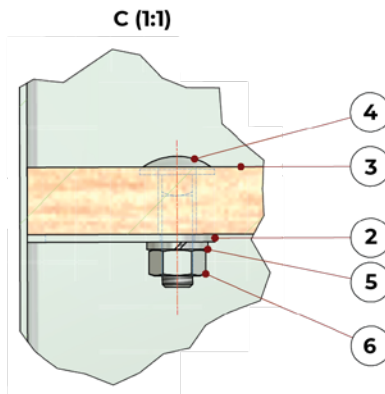
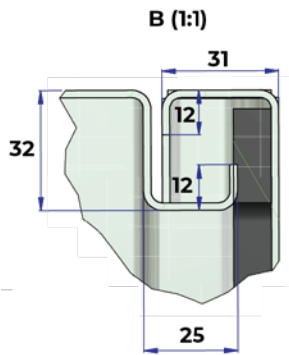
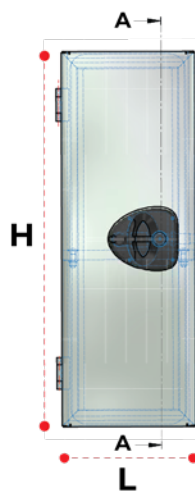
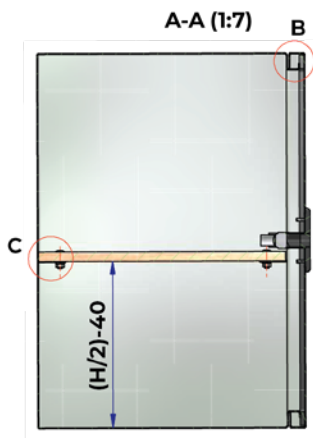
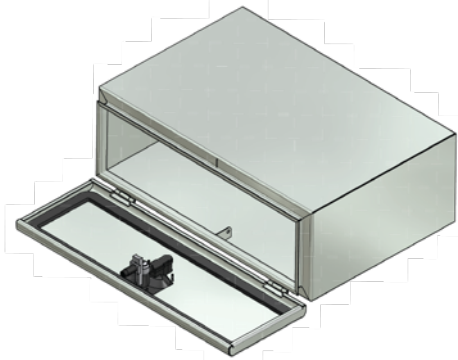


	Length (mm)		Depth (mm)		Height (mm)		Weight
	Outer	Opening	Outer	Inside	Outer	Opening	
Stainless steel/steel	1250	1170	1100	1080	680	600	100 kg
Stainless steel	1250	1170	1100	1080	680	600	100 kg

FRONTHINGE WITH 1-DOORLOCK - 7403411

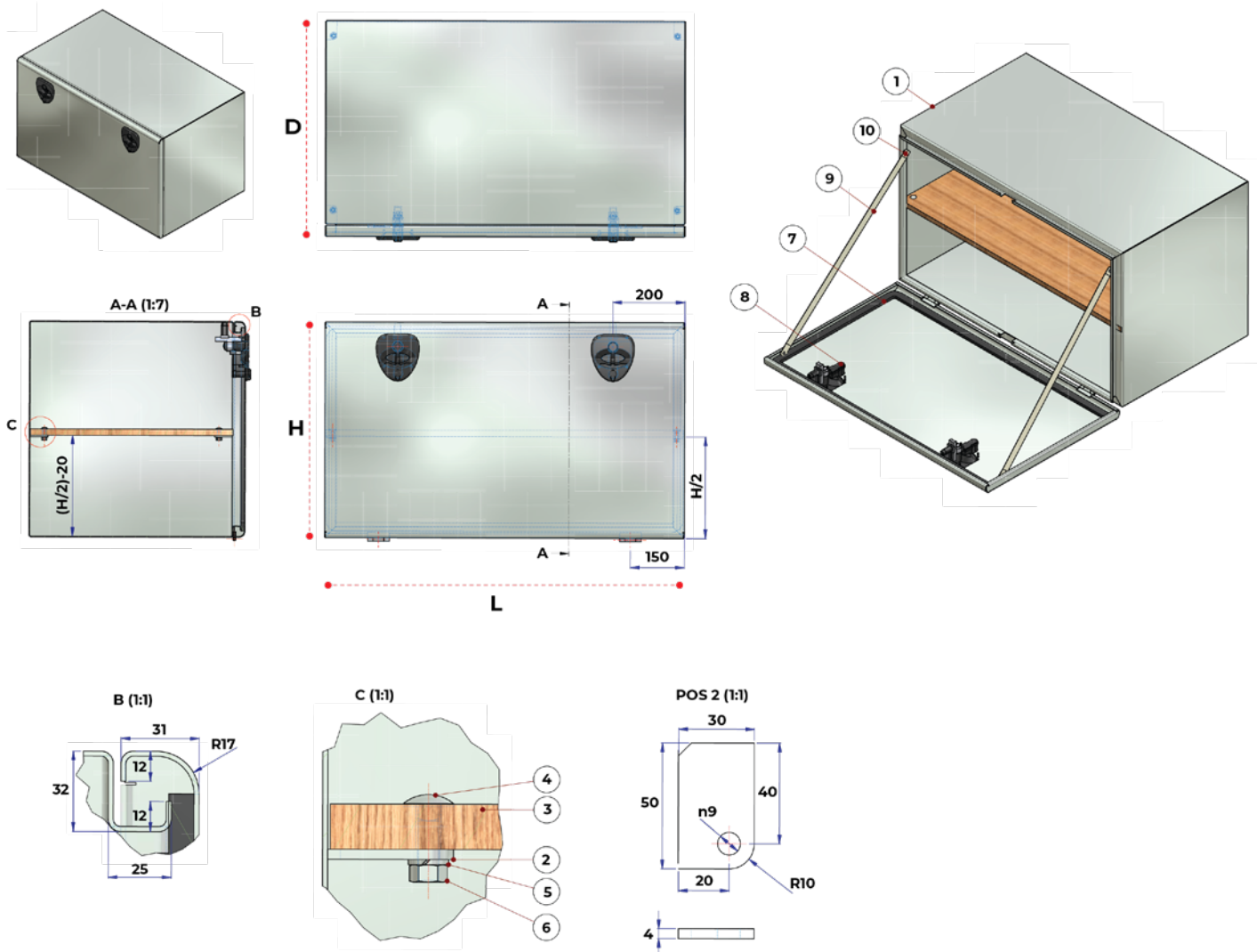


ALSO HORIZONTAL MOUNTABLE



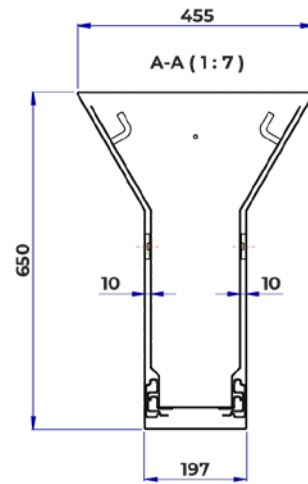
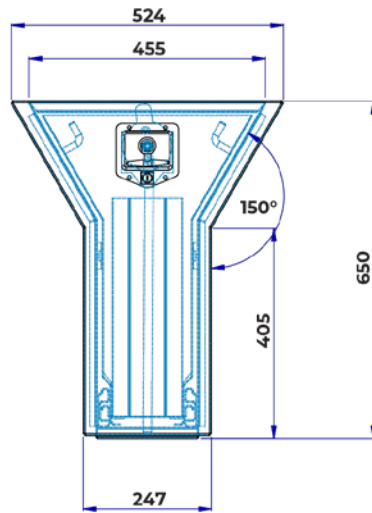
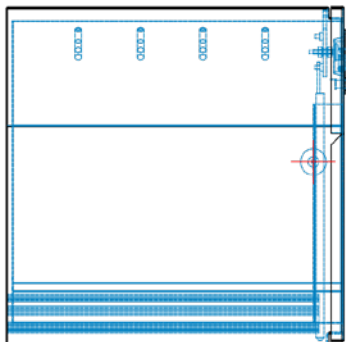
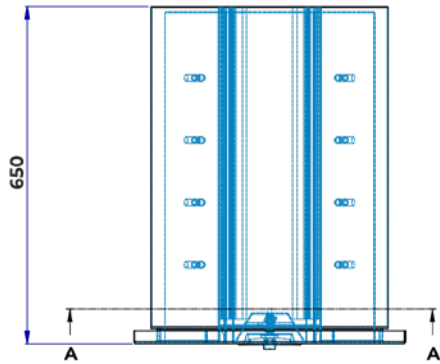
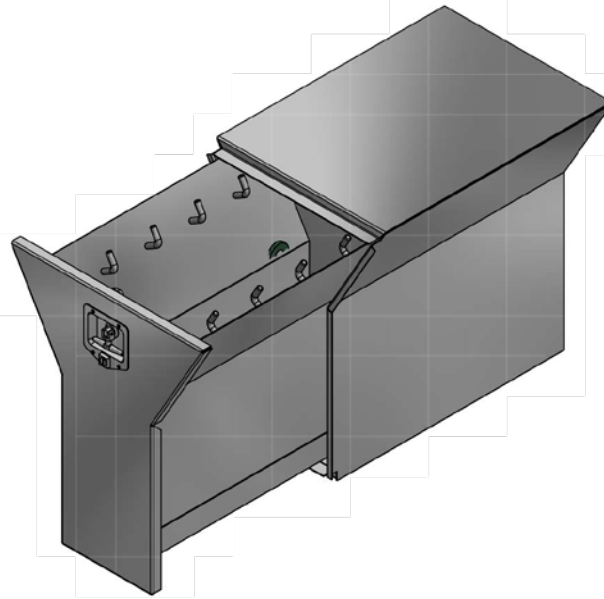
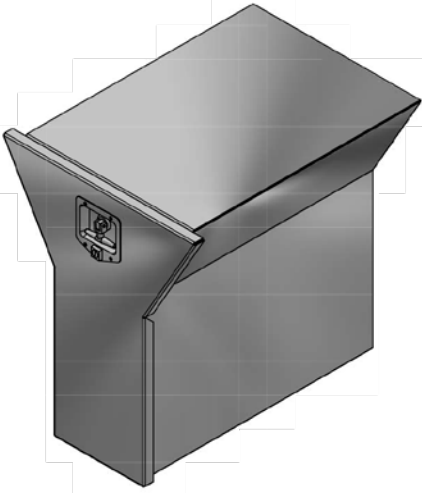
Item	QTY	Part No.
1	1	Toolbox base plate small
2	4	Toolbox-plank support std.
3	1	09216195 - Plank
4	4	15015013 - Mushroom Head Bolt M8x30-Din 603
5	4	15021050-Washer M8 Din125B
6	4	15025040- Nut M8x1.25 K18 Din934
7	1	09216195- Rubber
8	1	09216256 - Toolbox Lock

BOTTOMHINGE WITH 2-DOORLOCKS - 7403413



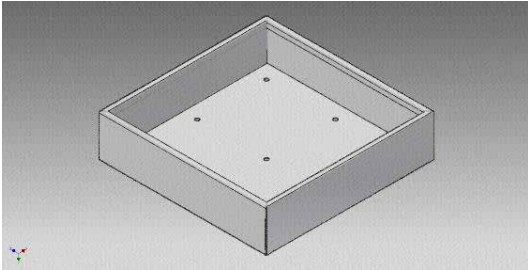
Item	QTY	Part No.
1	1	Toolbox Brushed Inox (LXHxD see Part number)
2	4	Toolbox-plank support std.
3	1	Plank (wood)
4	4	15015013 - Mushroom Head Bolt M8x30-Din 603
5	4	15022020-Spring washer M8 Din127B
6	4	15025040- Nut M8x1.25 K18 DIn934
7	1	Rubber Seal
8	2	09216256 - Toolbox Lock

TANDEM TOOLBOX



ACCESOIRES

CHAIN BOX 2MM STAINLESS STEEL



Depth (mm)	Height (mm)	Width (mm)
400	150	400
500	150	500
600	150	600
700	150	700

BATTERY DRAWER



Depth (mm)	Height (mm)	Width (mm)
500	150	600

BRACKETS

GALVANISED BRACKET FREDENSBORG



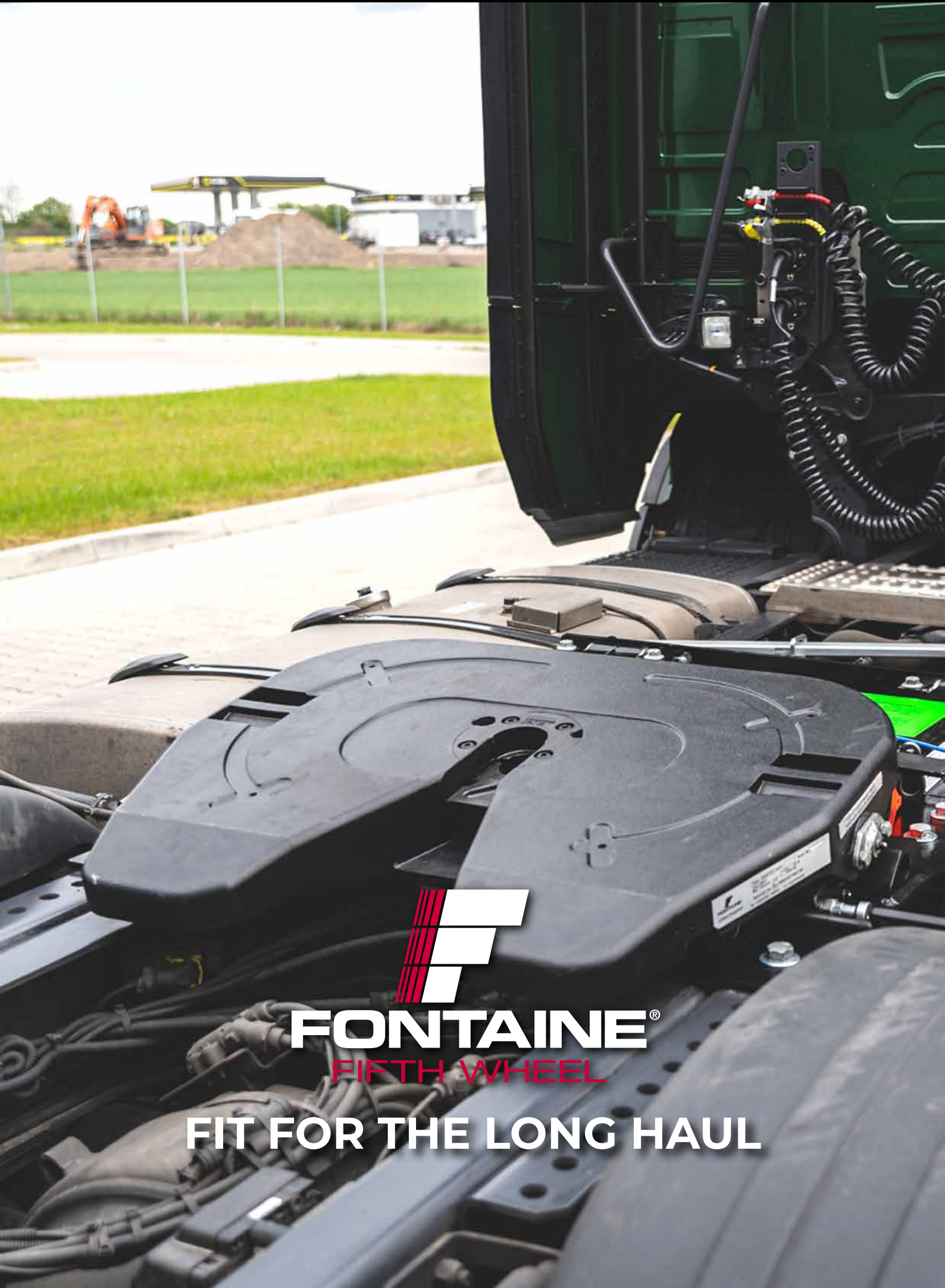
Depth (mm)	Height (mm)	UNP
500	500	60
600	600	80
700	700	80

VERTICAL BRACKET



HORIZONTAL BRACKET

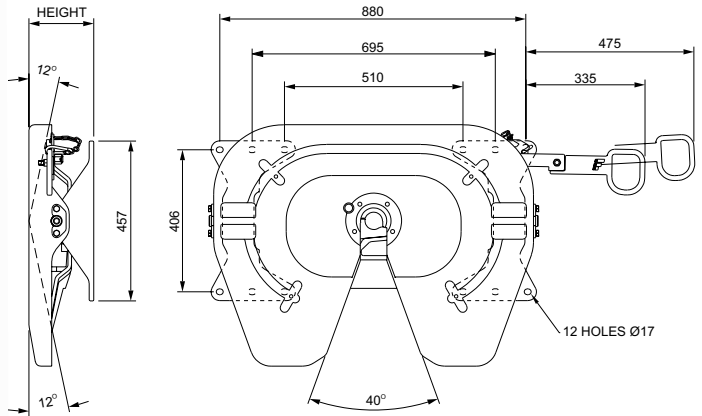




FONTAINE[®]
FIFTH WHEEL

FIT FOR THE LONG HAUL

HYVA FONTAINE 3000

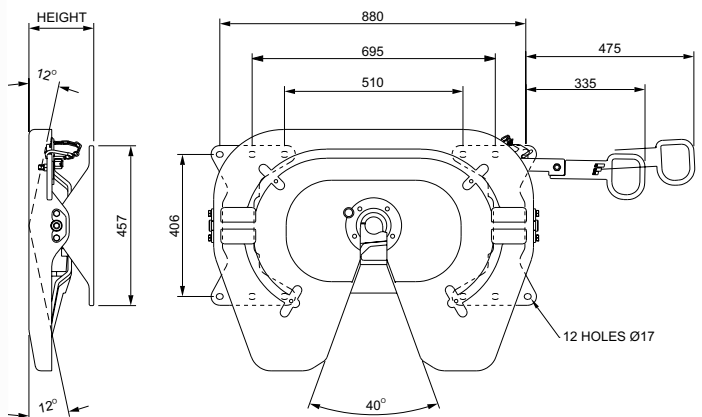


Part No.	Height (mm) DIN6	Weight (Kg)	Imposed (U)T	D-Value KN	Lever Type
93470001	148	120	20	150	STANDARD
93470002	148	120	20	150	INTERLOCK
93470003	185	124	20	150	STANDARD
93470004	185	124	20	150	INTERLOCK
93470005	257	140	20	150	STANDARD
93470006	257	140	20	150	INTERLOCK



Fit for... Long-distance haulage with silo, tank and volume carriers using both two and three-axle tractors.

HYVA FONTAINE 163 CI



Part No.	Height (mm) DIN6	Weight (Kg)	Imposed (U)T	D-Value KN	Lever Type
93470007	148	140	23	163	STANDARD
93470008	148	140	23	163	INTERLOCK
93470009	185	144	23	163	STANDARD
93470010	185	144	23	163	INTERLOCK
93470011	257	160	23	163	STANDARD
93470012	257	160	23	163	INTERLOCK

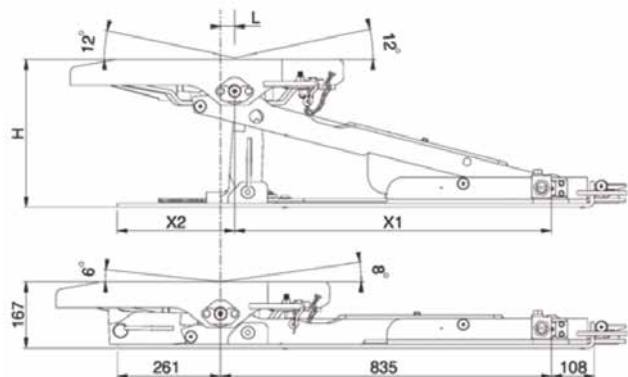


Fit for... HGV traffic and off-road terrain.

FIFTH WHEEL 3000FFH DUAL HEIGHT - MANUAL & AIR



Model	H	L	X1	X2
FFH	167	0	261	835
FFH1	267	13	274	823
FFH2	317	24	285	812
FFH3	367	38	299	797



Dscription	Part No.	Dscription	Part No.
FW 3000FFH DH Volvo 930mm 167-367mm-Air	93470016	FW 3000FFH DH MB 950mm 167-317mm Man.	93470031
FW 3000FFH DH Volvo 930mm 167-367mm Man.	93470017	FW 3000FFH DH MB 950mm 167-267mm Air	93470032
FW 3000FFH DH Volvo 930mm 167-317mm Air	93470018	FW 3000FFH DH MB 950mm 167-267mm Man.	93470033
FW 3000FFH DH Volvo 930mm 167-317mm Man.	93470019	FW 3000FFH DH Scania 880mm 167-367mm Air	93470034
FW 3000FFH DH Volvo 930mm 167-267mm Air	93470020	FW 3000FFH DH Scania 880mm 167-367mm Man	93470035
FW 3000FFH DH Volvo 930mm 167-267mm Man.	93470021	FW 3000FFH DH Scania 880mm 167-317mm Air	93470036
FW 3000FFH DH DAF 880mm 167-367mm Air	93470022	FW 3000FFH DH Scania 880mm 167-317mm Man	93470037
FW 3000FFH DH DAF 880mm 167-367mm Man.	93470023	FW 3000FFH DH Scania 880mm 167-267mm Air	93470038
FW 3000FFH DH DAF 880mm 167-317mm Air	93470024	FW 3000FFH DH Scania 880mm 167-267mm Man	93470039
FW 3000FFH DH DAF 880mm 167-317mm Man.	93470025	FW 3000FFH DH MAN 880mm 167-367mm Air	93470040
FW 3000FFH DH DAF 880mm 167-267mm Air	93470026	FW 3000FFH DH MAN 880mm 167-367mm Man.	93470041
FW 3000FFH DH DAF 880mm 167-267mm Man.	93470027	FW 3000FFH DH MAN 880mm 167-317mm Air	93470042
FW 3000FFH DH MB 950mm 167-367mm Air	93470028	FW 3000FFH DH MAN 880mm 167-317mm Man.	93470043
FW 3000FFH DH MB 950mm 167-367mm Man.	93470029	FW 3000FFH DH MAN 880mm 167-267mm Air	93470044
FW 3000FFH DH MB 950mm 167-317mm Air	93470030	FW 3000FFH DH MAN 880mm 167-267mm Man.	93470045

3000 / 163CI JAW REPAIR KIT - PART NO. 93470013



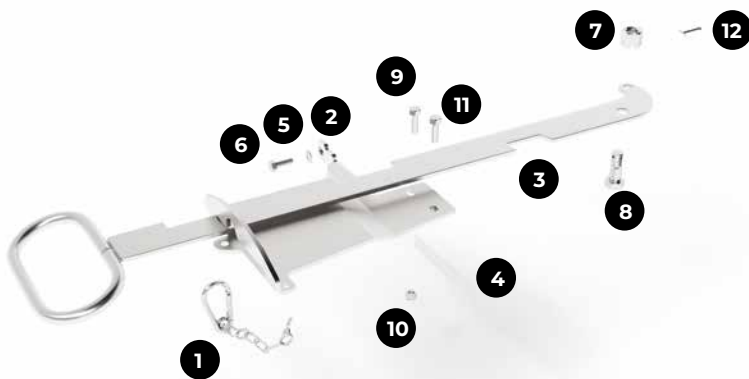
Item	Qty	Description
1	1	Jaw machining
2	1	Jaw spring
3	1	Lockbar
4	2	Lockbar / jaw pivot
5	4	M12 washer
6	4	M12 x 25 button HD screw
7	1	M16 castle nut
8	1	M16 hex HD bolt crossdrilled
9	1	Main spring – 150 / IC / 3000
10	1	Main spring – 150 / IC / 3000
11	1	Split cotter pin 3mm x 28mm
12	2	Spring clip
13	1	Wear ring

PIN & BUSH REPAIR KIT - PART NO. 93470013, 93470015



Item	Qty	Description
1	4	M10 bolt
2	4	M10 spring washer
3	2	Pivot pin
4	2	Rubber bush

EXTENDED HANDLE BRACKET KIT 3000/163CI - PART NO. 93470051



Item	Qty	Description
1	1	Gog clip & chain
2	1	Extended handle bracket
3	1	Handle to suit ext brkt
4	1	Label safety clip
5	1	M10 spring washer
6	1	M10 x 25 hex HD screw
7	1	M16 binx nut
8	1	M16 hex HD bolt crossdrilled
9	1	M8 bolt
10	1	M8 x 1 nut
11	1	M8 x 30 hex socket CSK screw
12	1	Split cotter pin 3mm x 28mm

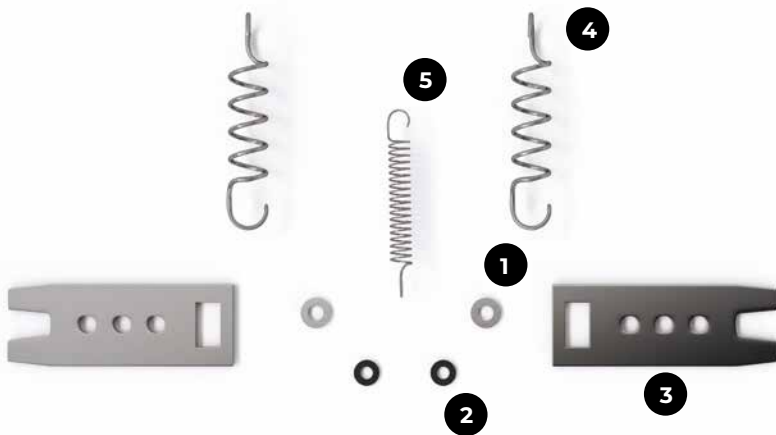
MOUNTING PLATE

Supplied pre-drilled to fit all OEM chassis – our standard and medium duty fixed mounting plate is suitable for use with all Fontaine 2" fifth wheels with DIN6 feet.



Dscription	Part No.
Mounting Plate 40mm MB 950mm holes	93470053
Mounting Plate 40mm Scania 880mm holes	93470054
Mounting Plate 22mm Scania 880mm holes	93470055
Mounting Plate 40mm DAF 880mm holes	93470056

150SF SLIDER REPAIR KIT - PART NO. 93470057, 93470058



Item	Qty	Dscription
1	2	14mm washer
2	2	M14 safety washer
3	2	Plunger
4	2	Spring
5	1	Spring-slider-handle

Dscription	Part No.
150SF Slider Base High handle 950mm MB	93470057
150SF Slider Base Low handle 930mm Volvo	93470058

HANDLE OPTIONS



STANDARD

Our standard safety clip fifth wheel handle is designed for ease of use and built to last.

INTERLOCK

As an alternative to our safety clip system, the interlock removes the need for a clip by integrating the safety mechanism into the handle itself.

INTERLOCK

As an alternative to our safety clip system, the interlock removes the need for a clip by integrating the safety mechanism into the handle itself.

MOUNTING OPTIONS



Our range of mounting options ensures all Fontaine fifth wheels suit a broad range of applications on all European chassis. See our specification chart at the end of this brochure for full technical details.

SLIDING 150SF

For use with Fontaine 2" fifth wheels, our standard and medium duty slider is designed for easy positional adjustment, enabling permissible axle loads and vehicle lengths to be achieved. It is also available in two positions for increased driver safety.





MOUNTING PLATE

Supplied pre-drilled to fit all OEM chassis – our standard and medium duty fixed mounting plate is suitable for use with all Fontaine 2" fifth wheels with DIN6 feet.


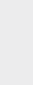

DIRECT MOUNT

Our lightweight fixed direct mount removes the need for OEM chassis angles and is suitable for use with standard and medium duty Fontaine 2" fifth wheels.

HYVA FONTAINE RANGE

RANGE	MATERIAL	USAGE	APPLICATION	IMPOSED (U) & D-VALUE T/KN	WEIGHT KG	HEIGHT OPTIONS MM (DIN6)	LOW MAINTENANCE	SINGLE-POINT AUTOLUBE	AIR ACTIVATION	SINGLE SENSOR SAFETY CLIP	SENSOR SYSTEMS	HANDLE OPTIONS
150SP2	Pressed	Standard duty 2" on-road	 Fit for... Flexible haulage volume carriers using two and three-axle tractors.	20T / 152KN	From 113kg	138 / 148 161 / 185 210 / 230 257	X	✓	✓	✓	✓	<ul style="list-style-type: none"> Standard with safety clip Extended with safety clip Interlock
3000	Cast	Medium duty 2" on-road & limited off-road	 Fit for... Long-distance haulage with silo, tank and volume carriers using both two and three-axle tractors.	20T / 150KN	From 120kg	138 / 148 161 / 185 210 / 230 257	X	✓	✓	✓	✓	<ul style="list-style-type: none"> Standard with safety clip Extended with safety clip Interlock
3000LM	Cast	Medium duty 2" on-road & limited off-road	 Fit for... Long-distance haulage with silo, tank and volume carriers using both two and three-axle tractors.	20T / 152KN	From 120kg	138 / 148 161 / 185 210 / 230 257	✓	✓	✓	✓	✓	<ul style="list-style-type: none"> Standard with safety clip Extended with safety clip Interlock
163CI	Cast	Heavy duty 2" on & off-road	 Fit for... HGV traffic and off-road terrain.	23T / 163KN	From 140kg	148 / 161 185 / 210 230 / 257	X	✓	✓	✓	✓	<ul style="list-style-type: none"> Standard with safety clip Extended with safety clip Interlock

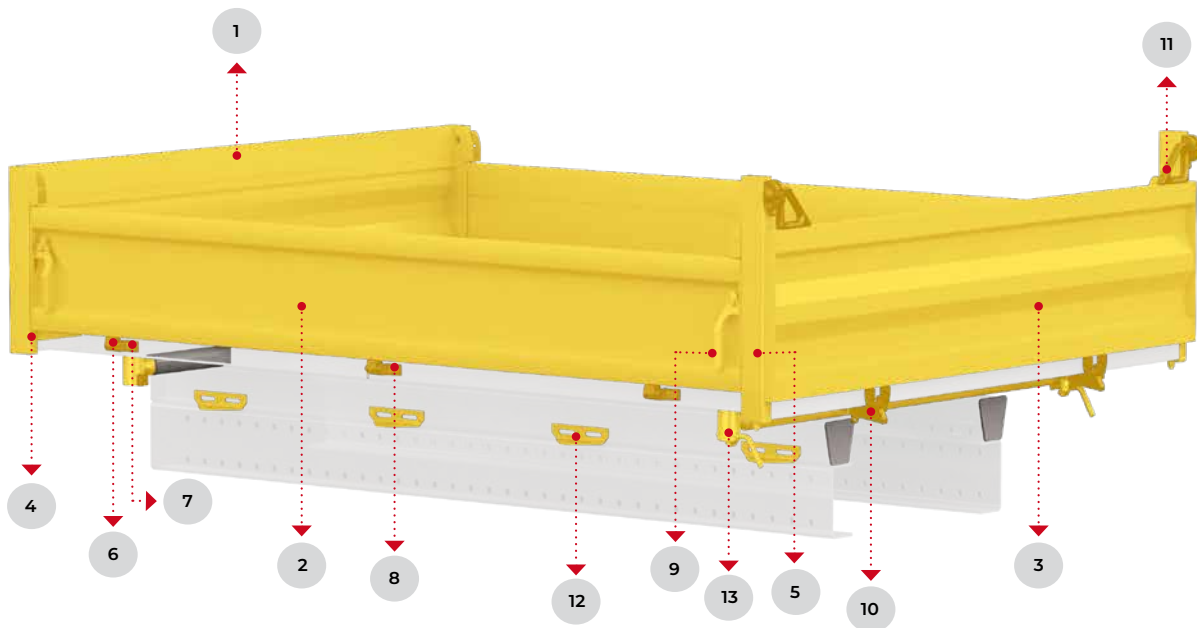
HYVA FONTAINE OPTIONS

RANGE	USAGE	APPLICATION	IMPOSED(U) & D-VALUE T/KN	WEIGHT KG	HEIGHT MM	AIR/MANUAL	SLIDE TRAVEL	150SP2	3000	3000LM	163CI	RP59	RP90	FHD
SLIDING 150SF	Medium duty 2" on-road & limited off-road	 Fit for... Long-distance haulage with silo, tank and volume carriers using both two and three-axle tractors.	20T / 152KN	119kg	35mm	Air / Manual	Slide travel 525/750/900mm Two-position 300/525mm	✓	✓	✓	✓	✓	✓	✓
MOUNTING PLATE	Medium duty 2" on-road & limited off-road	 Fit for... Long-distance haulage with silo, tank and volume carriers using both two and three-axle tractors.	20T / 150KN	45kg / 50kg	22mm 40mm	—	—	✓	✓	✓	✓	✓	✓	✓
DIRECT MOUNT	Standard duty 2" on-road	 Fit for... Flexible haulage volume carriers using two and three-axle tractors.	20T / 150KN	40kg	140mm 160mm 200mm 230mm	—	—	✓	✓	✓	✓	X	X	X



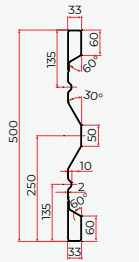
HINGE KIT

LIGHT WEIGHT TIPPER - DROPSIDES THREE-WAY TIPPER - STEEL (3.5 TON)



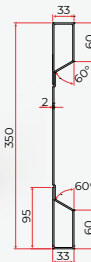
POSITION NO.	PART NO.	DESCRIPTION	WEIGHT	QTY
1	93450001	STEEL PROFILE: Front sideboard H=500mm	12.800 Kg/m	
2	93450002	STEEL PROFILE: Front sideboard H=350mm	10.100 Kg/m	
3	93450003	STEEL PROFILE:Front sideboard H=450mm	11.900 Kg/m	
4	93450004	FRONT PILLAR Right / Left	3.150 Kg	
5	93450005	REAR PILLAR Right / Left	4.900 Kg	
	93450006	REAR PILLAR SOCKET	0.570 Kg	
	93450007	Zinc plated-SELF LOCKING NUT M12	0.018 Kg	
6	93450008	Ø15 HINGE	0.256 Kg	
7	93450009	Ø14 PIN	0.260 Kg	
8	93450010	Ø14 PIN WITH HOLE	0.268 Kg	
9	93450011	LIGHT DUTY LOCK FOR SIDEBOARD-Right / Left	0.480 Kg	
	93450012	MOUNTING KIT	0.100 Kg	
10	17008132	AUTOMATIC TAILGATE RELEASE	1.470 Kg	
	17008390	BRACKET FOR TAILGATE HOOK	0.240 Kg	
11	93450013	Ø20 COLUMN FOR REAR PANEL	1.340 Kg	
12	93450014	Hot-dip galvanized CHASSIS SUPPORT	0.500 Kg	
13	93450015	Ø50 BALL	1.660 Kg	x4
	93450016	Ø50 BALL SUPPORT LEFT HAND (Ø14.5 HOLE)	0.630 Kg	x1
	93450017	Ø50 BALL SUPPORT RIGHT HAND (Ø14.5 HOLE)	0.630 Kg	x1
	93450018	Ø50 BALL SUPPORT RIGHT HAND (Ø16.5-12.5 HOLE)	0.630 Kg	x1
	93450019	Ø50 BALL SUPPORT LEFT HAND (Ø16.5-12.5 HOLE)	0.630 Kg	x1
	17008043	PVC CAP	0.052 Kg	x4
	17008041	Ø14 ZINC PLATED PIN	0.240 Kg	x1
17008042	Ø16-12 ZINC PLATED PIN	0.300 Kg	x1	

1 93450001



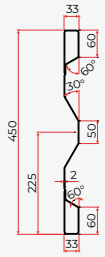
DESCRIPTION	WEIGHT
STEEL PROFILE: Front sideboard H=500mm	12.800 Kg/m

2 93450002



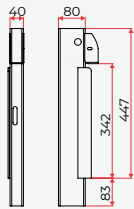
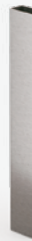
DESCRIPTION	WEIGHT
STEEL PROFILE: Front sideboard H=350mm	10.100 Kg/m

3 93450003



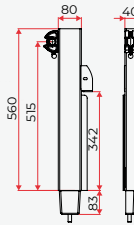
DESCRIPTION	WEIGHT
STEEL PROFILE: Front sideboard H=450mm	11.900 Kg/m

4 93450004



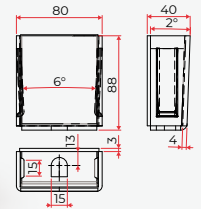
DESCRIPTION	WEIGHT
FRONT PILLAR Right / Left	3.150 Kg

5 93450005



DESCRIPTION	WEIGHT
REAR PILLAR Right / Left	4.900 Kg

5 93450006



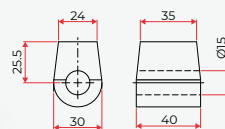
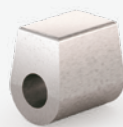
DESCRIPTION	WEIGHT
REAR PILLAR SOCKET	0.570 Kg

5 93450007



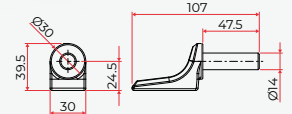
DESCRIPTION	WEIGHT
Zinc plated-SELF LOCKING NUT M12	0.018 Kg

6 93450008



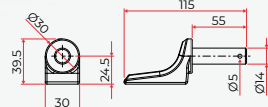
DESCRIPTION	WEIGHT
Ø15 HINGE	0.256 Kg

7 93450009



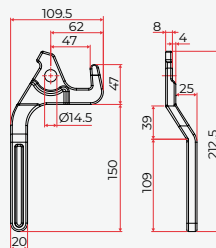
DESCRIPTION	WEIGHT
Ø14 PIN	0.260 Kg

8 93450010



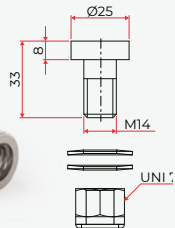
DESCRIPTION	WEIGHT
Ø14 PIN WITH HOLE	0.268 Kg

9 93450011



DESCRIPTION	WEIGHT
LIGHT DUTY LOCK FOR SIDEBOARD-Right / Left	0.480 Kg

9 93450012



DESCRIPTION	WEIGHT
MOUNTING KIT	0.100 Kg

10 17008132

DESCRIPTION	WEIGHT
AUTOMATIC TAILGATE RELEASE	1.470 Kg

10 17008390

DESCRIPTION	WEIGHT
BRACKET FOR TAILGATE HOOK	0.240 Kg

11 93450013

DESCRIPTION	WEIGHT
Ø20 COLUMN FOR REAR PANEL	1.340 Kg

12 93450014

DESCRIPTION	WEIGHT
Hot-dip galvanized CHASSIS SUPPORT	0.500 Kg

13 93450015

DESCRIPTION	WEIGHT
Ø50 BALL	1.660 Kg

13 93450016

DESCRIPTION	WEIGHT
Ø50 BALL SUPPORT LEFT HAND (Ø14.5 HOLE)	0.630 Kg

13 93450017

DESCRIPTION	WEIGHT
Ø50 BALL SUPPORT RIGHT HAND (Ø14.5 HOLE)	0.630 Kg

13 93450018

DESCRIPTION	WEIGHT
Ø50 BALL SUPPORT RIGHT HAND (Ø16.5-12.5 HOLE)	0.630 Kg

13 93450019

DESCRIPTION	WEIGHT
Ø50 BALL SUPPORT LEFT HAND (Ø16.5-12.5 HOLE)	0.630 Kg

13 17008043

DESCRIPTION	WEIGHT
PVC CAP	0.052 Kg

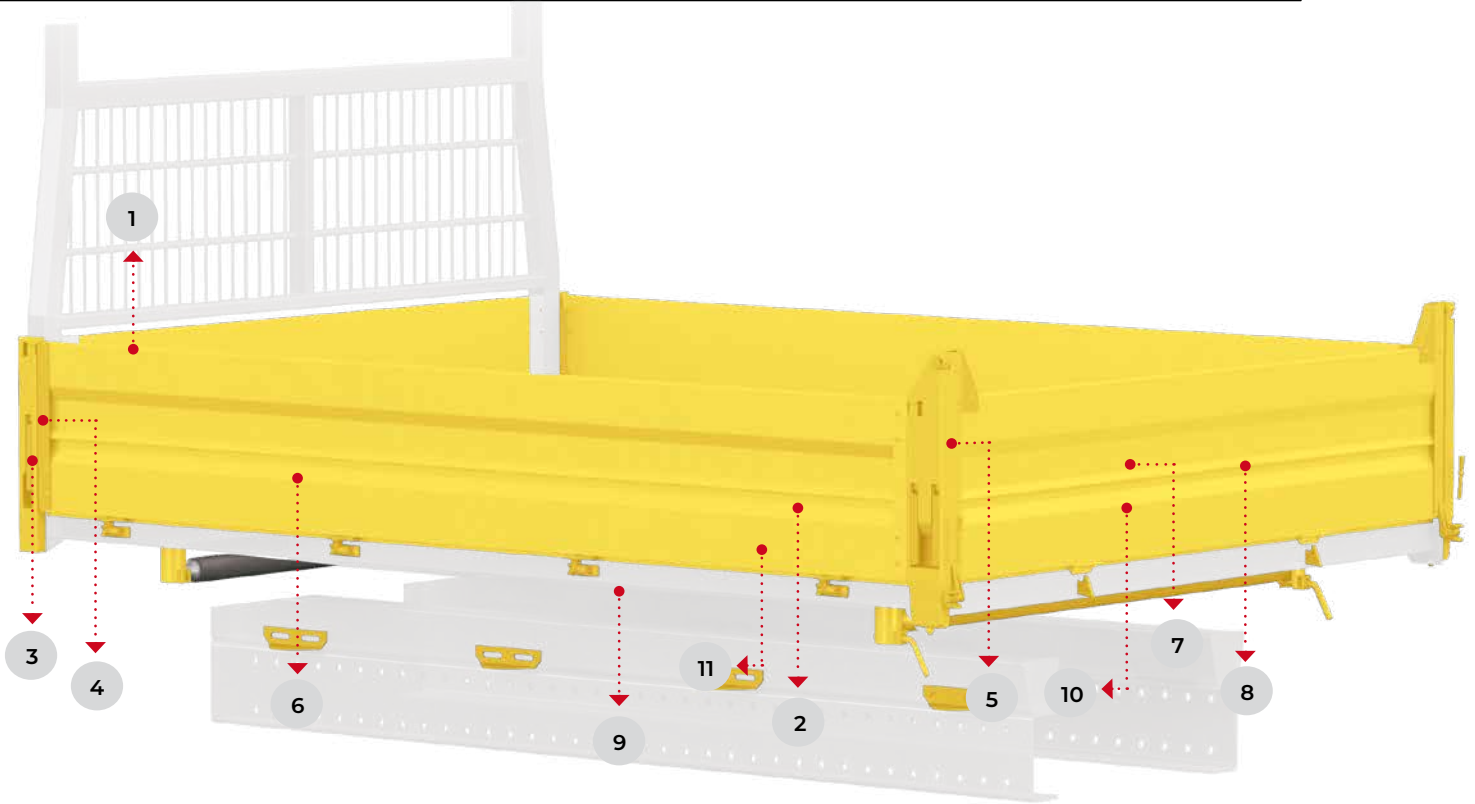
13 17008041

DESCRIPTION	WEIGHT
Ø14 ZINC PLATED PIN	0.240 Kg

13 17008042

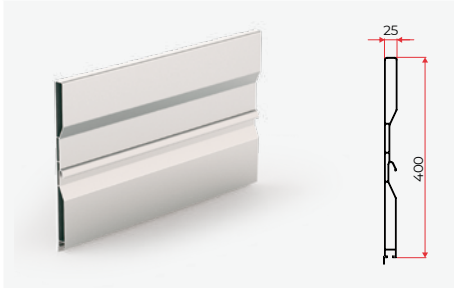
DESCRIPTION	WEIGHT
Ø16-12 ZINC PLATED PIN	0.300 Kg

LIGHT WEIGHT TIPPER - DROPSIDES THREE-WAY TIPPER - ALU (3.5 TON)



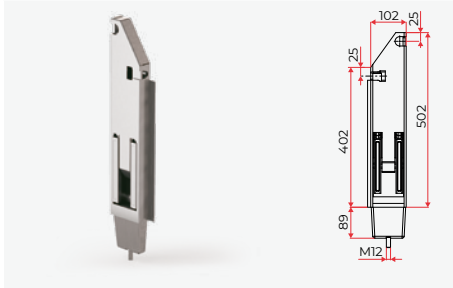
POSITION NO.	PART NO.	DESCRIPTION	WEIGHT	QTY
1	93450020	ALU-PROFILE H=400	1.000 Kg/m	
2	93450021	REAR LIGHT PILLAR Right / Left H=400/500	5.580 Kg/m	
	93450022	REAR PILLAR SOCKET (M12 nut included)	0.500 Kg	
3	93450023	FRONT LIGHT PILLAR Right / Left H=400mm	2.950 Kg	
4	93450024	Zinc-plated END-CAPS Right / Left	0.760 Kg	
5	93450025	Zinc-plated REAR END-CAPS Right / Left	1.390 Kg	
6	93450026	Zinc plated LIGHT Ø12 PIN	0.250 Kg	
	93450027	Zinc-plated PLATE FOR PIN	0.072 Kg	
	93450028	Zinc-plated LIGHT HINGE	0.180 Kg	
7	93450029	Zinc-plated LIGHT SLIP	0.130 Kg	
8	17008412	SUPPORT	0.138 Kg	
	17008413	Ø9 LOCKING PIN	0.064 Kg	
9	93450014	Hot-dip zinc-plated CHASSIS SUPPORT	0.500 Kg	
10	93450030	Zinc-plated TAILGATE HOOK (Ø21 hole)	0.180 Kg	
11	93450015	Ø50 BALL	1.660 Kg	x4
	93450016	Ø50 BALL SUPPORT LEFT HAND (Ø14.5 HOLE)	0.630 Kg	x1
	93450017	Ø50 BALL SUPPORT RIGHT HAND (Ø14.5 HOLE)	0.630 Kg	x1
	93450018	Ø50 BALL SUPPORT RIGHT HAND (Ø16.5-12.5 HOLE)	0.630 Kg	x1
	93450019	Ø50 BALL SUPPORT LEFT HAND (Ø16.5-12.5 HOLE)	0.630 Kg	x1
	17008043	PVC CAP	0.052 Kg	x4
	17008041	Ø14 ZINC PLATED PIN	0.240 Kg	x1
	17008042	Ø16-12 ZINC PLATED PIN	0.300 Kg	x1

1 93450020



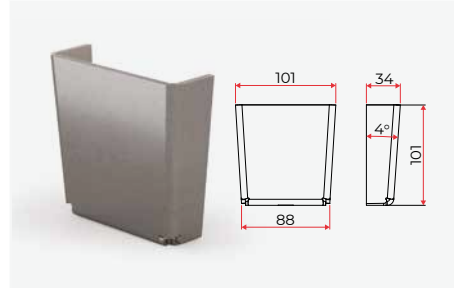
DESCRIPTION	WEIGHT
ALU-PROFILE H=400	1.000 Kg/m

2 93450021



DESCRIPTION	WEIGHT
REAR LIGHT PILLAR Right / Left H=400/500	5.580 Kg/m

2 93450022



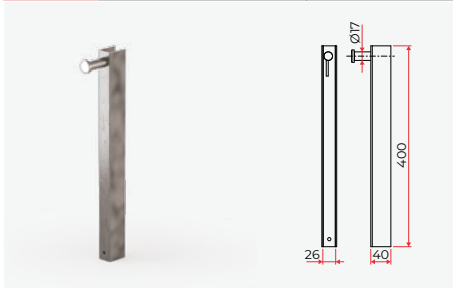
DESCRIPTION	WEIGHT
REAR PILLAR SOCKET (M12 nut included)	0.500 Kg

3 93450023



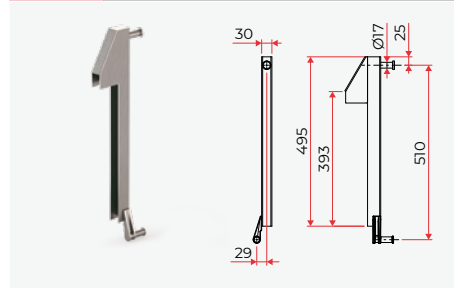
DESCRIPTION	WEIGHT
FRONT LIGHT PILLAR Right / Left H=400mm	2.950 Kg

4 93450024



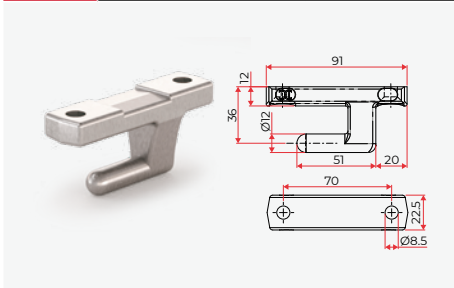
DESCRIPTION	WEIGHT
Zinc-plated END-CAPS Right / Left	0.760 Kg

5 93450025



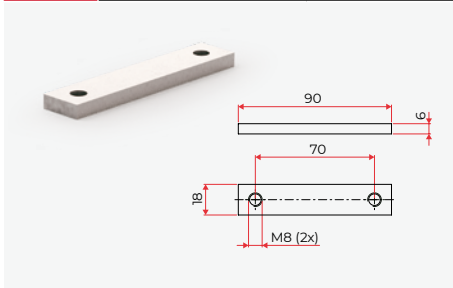
DESCRIPTION	WEIGHT
Zinc-plated REAR END-CAPS Right / Left	1.390 Kg

6 93450026



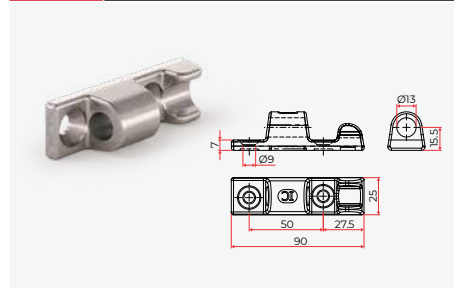
DESCRIPTION	WEIGHT
Zinc plated LIGHT Ø12 PIN	0.250 Kg

6 93450027



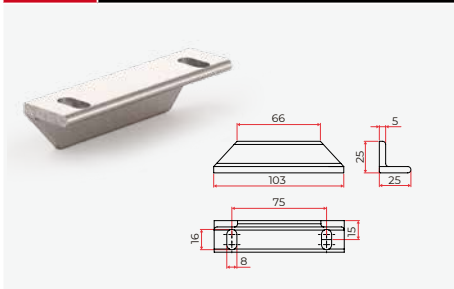
DESCRIPTION	WEIGHT
Zinc-plated PLATE FOR PIN	0.072 Kg

6 93450028



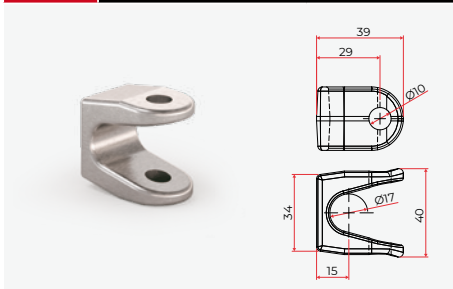
DESCRIPTION	WEIGHT
Zinc-plated LIGHT HINGE	0.180 Kg

7 93450029



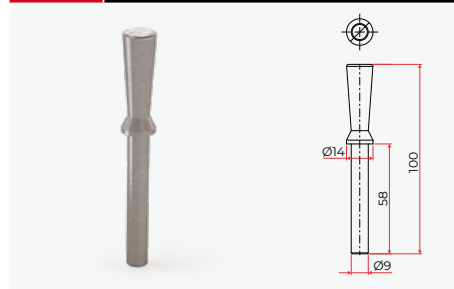
DESCRIPTION	WEIGHT
Zinc-plated LIGHT SLIP	0.130 Kg

8 17008412



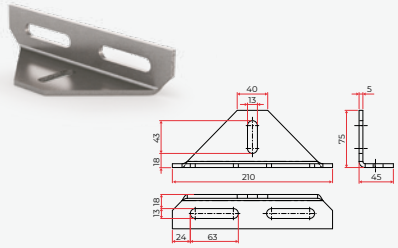
DESCRIPTION	WEIGHT
SUPPORT	0.138 Kg

8 17008413



DESCRIPTION	WEIGHT
Ø9 LOCKING PIN	0.064 Kg

9 93450014



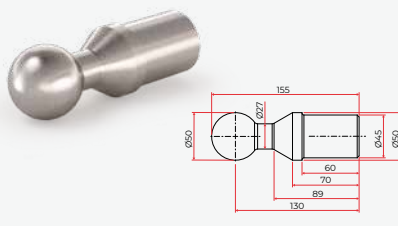
DESCRIPTION	WEIGHT
Hot-dip zinc-plated CHASSIS SUPPORT	0.500 Kg

10 93450030



DESCRIPTION	WEIGHT
Zinc-plated TAILGATE HOOK (Ø21 hole)	0.180 Kg

11 93450015



DESCRIPTION	WEIGHT
Ø50 BALL	1.660 Kg

11 93450016



DESCRIPTION	WEIGHT
Ø50 BALL SUPPORT LEFT HAND (Ø14.5 HOLE)	0.630 Kg

11 93450017



DESCRIPTION	WEIGHT
Ø50 BALL SUPPORT RIGHT HAND (Ø14.5 HOLE)	0.630 Kg

11 93450018



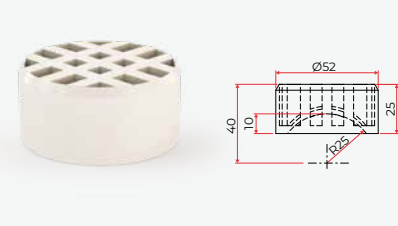
DESCRIPTION	WEIGHT
Ø50 BALL SUPPORT RIGHT HAND (Ø16.5-12.5 HOLE)	0.630 Kg

11 93450019



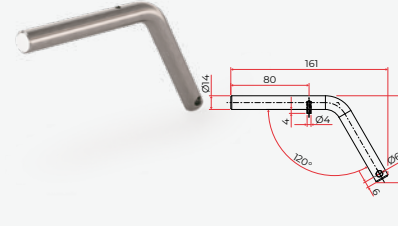
DESCRIPTION	WEIGHT
Ø50 BALL SUPPORT LEFT HAND (Ø16.5-12.5 HOLE)	0.630 Kg

11 17008043



DESCRIPTION	WEIGHT
PVC CAP	0.052 Kg

11 17008041



DESCRIPTION	WEIGHT
Ø14 ZINC PLATED PIN	0.240 Kg

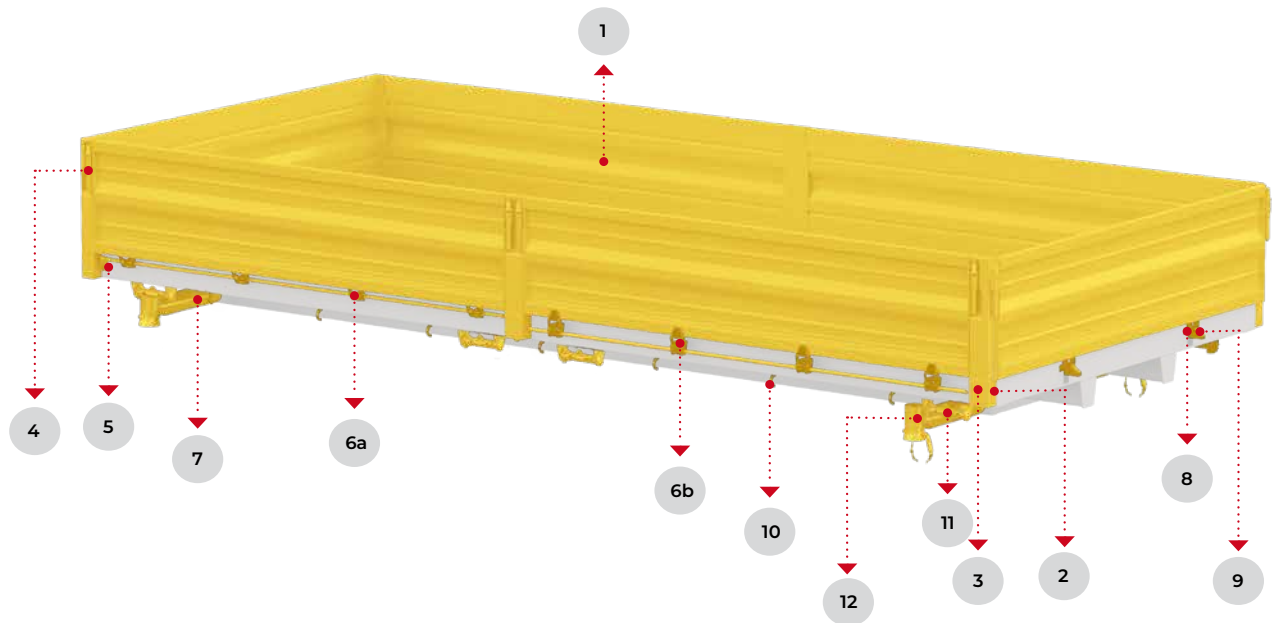
11 17008042



DESCRIPTION	WEIGHT
Ø16-12 ZINC PLATED PIN	0.300 Kg



MEDIUM-HEAVY WEIGHT TIPPER DOUBLE OPENING THREE-WAY TIPPER • “B” VERSION - STEEL - 18÷26 TON



POSITION NO.	PART NO.	DESCRIPTION	WEIGHT	QTY
1	93450031	STEEL SIDEBOARD PROFILE H=600	14.300 Kg/m	
2	93450032	MALE PART	3.500 Kg	
3	93450033	SOCKET	2.100 Kg	
4	93450034	M50 TIPPER LOCK	0.920 Kg	
	17008126	M50 LOCK PIN	0.270 Kg	
5	17008350	OVER-CENTER LOCK (Right)	1.950 Kg	
	17008355	OVER-CENTER LOCK (Left)	1.950 Kg	
6a	17008361	HINGE	0.250 Kg	
	17008363	HINGE SUPPORT	0.288 Kg	
	17008362	LOCKING PLATE	0.181 Kg	
6b	93450035	HINGE	0.568 Kg	
	93450036	HINGE SUPPORT	0.460 Kg	
	93450037	LOCKING HOOK	0.130 Kg	
7	93450038	“SERIES 3000” BEAM KIT	64.12 Kg	
8	17008276	AUTOMATIC TAILGATE RELEASE	3.900 Kg	
9	17008390	BRACKET FOR TAILGATE HOOK	0.240 Kg	
10	17008409	ROPE TIGHTENER	0.140 Kg	
11	93450039	PLATFORM SIDE BELT ROPE BINDER (Right version)	3.120 Kg	
	93450040	PLATFORM SIDE BELT ROPE BINDER (Left version)	3.120 Kg	
12	50308031	“SERIES 3000” Ø80 TYPE 1 BALL SUPPORT	3.510 Kg	x2
	50308031	“SERIES 3000” Ø80 TYPE 2 BALL SUPPORT	3.510 Kg	x2
	50308088	“SERIES 3000” CAP	0.135 Kg	x4
	50308090	TYPE 1 PIN	0.750 Kg	x1
	50308095	TYPE 2 PIN	0.750 Kg	x1

1	93450031
DESCRIPTION	WEIGHT
STEEL SIDEBOARD PROFILE H=600	14.300 Kg/m

2	93450032
DESCRIPTION	WEIGHT
MALE PART	3.500 Kg

3	93450033
DESCRIPTION	WEIGHT
SOCKET	2.100 Kg

4	93450034
DESCRIPTION	WEIGHT
M50 TIPPER LOCK	0.920 Kg

4	17008126
DESCRIPTION	WEIGHT
M50 LOCK PIN	0.270 Kg

5	17008350
DESCRIPTION	WEIGHT
OVER-CENTER LOCK (Right)	1.950 Kg

5	17008355
DESCRIPTION	WEIGHT
OVER-CENTER LOCK (Left)	1.950 Kg

6a	17008361
DESCRIPTION	WEIGHT
HINGE	0.250 Kg

6a	17008363
DESCRIPTION	WEIGHT
HINGE SUPPORT	0.288 Kg

6a	17008362
DESCRIPTION	WEIGHT
LOCKING HOOK	0.181 Kg

6b	93450035
DESCRIPTION	WEIGHT
HINGE	0.568 Kg

6b	93450036
DESCRIPTION	WEIGHT
HINGE SUPPORT	0.460 Kg

6b 93450037

DESCRIPTION	WEIGHT
LOCKING HOOK	0.130 Kg

7 93450038

SUGGESTED MAX LOAD CAPACITY: 24 T

DESCRIPTION	WEIGHT
"SERIES 3000" BEAM KIT	64.12 Kg

8 17008276

SUGGESTED MAX LOAD CAPACITY: 19 T

DESCRIPTION	WEIGHT
AUTOMATIC TAILGATE RELEASE	3.900 Kg

9 17008390

DESCRIPTION	WEIGHT
BRACKET FOR TAILGATE HOOK	0.240 Kg

10 17008409

DESCRIPTION	WEIGHT
ROPE TIGHTENER	0.140 Kg

11 93450039

DESCRIPTION	WEIGHT
PLATFORM SIDE BELT ROPE BINDER (Right version)	3.120 Kg

11 93450040

DESCRIPTION	WEIGHT
PLATFORM SIDE BELT ROPE BINDER (Left version)	3.120 Kg

12 50308031

SUGGESTED MAX LOAD CAPACITY: 24 T

DESCRIPTION	WEIGHT
"SERIES 3000" Ø80 TYPE 1 BALL SUPPORT	3.510 Kg

12 50308031

DESCRIPTION	WEIGHT
"SERIES 3000" Ø80 TYPE 2 BALL SUPPORT	3.510 Kg

12 50308088

DESCRIPTION	WEIGHT
"SERIES 3000" CAP	0.135 Kg

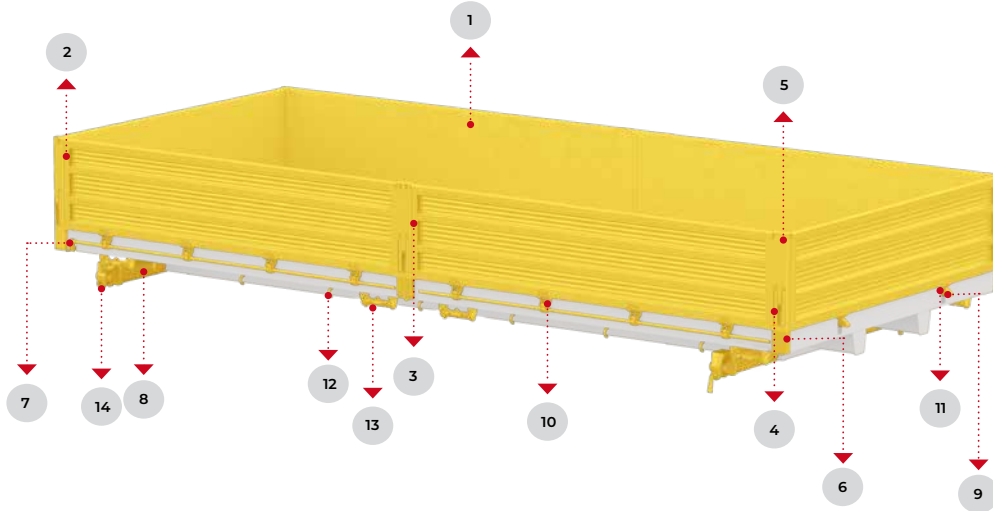
12 50308090

DESCRIPTION	WEIGHT
TYPE 1 PIN	0.750 Kg

12 50308095

DESCRIPTION	WEIGHT
TYPE 2 PIN	0.750 Kg

MEDIUM-HEAVY WEIGHT TIPPER DOUBLE OPENING THREE-WAY TIPPER • “B” VERSION - STEEL - 18÷26 TON



POSITION NO.	PART NO.	DESCRIPTION	WEIGHT
1	513084.00 INF	ALU SIDEBOARDS (30MM TR5 PROFILES) H=600	3.890 Kg/m
	513151.00 MED	ALU SIDEBOARDS (30MM TR5 PROFILES) H=600	3.440 Kg/m
	513157.00 SUP	ALU SIDEBOARDS (30MM TR5 PROFILES) H=600	4.850 Kg/m
2	93450062	“SPRING LOCK” FRONT PILLAR H=600 (Right)	5.900 Kg
	93450063	“SPRING LOCK” FRONT PILLAR H=600 (Left)	5.900 Kg
3	93450064	“SPRING LOCK” MIDDLE PILLAR H=600	12.920 Kg
4	93450065	“SPRING LOCK” REAR PILLAR H=600 (Right version)	11.400 Kg
	93450066	“SPRING LOCK” REAR PILLAR H=600 (Left version)	11.400 Kg
5	93450067	Zinc plated, SIDEBOARDS END-CAPS FOR TR5 PROFILES	1.730 Kg
6	93450033	SOCKET	2.100 Kg
7	17008350	OVER-CENTER LOCK (Right version)	1.950 Kg
	17008355	OVER-CENTER LOCK (Left version)	1.950 Kg
8	93450060	FRONT THREE-WAY TIPPING BEAM	99.10 Kg
	93450061	REAR THREE-WAY TIPPING BEAM	132.00 Kg
9	17008276	AUTOMATIC TAILGATE RELEASE	3.900 Kg
10	93450057	ZINC PLATED HINGE	0.432 Kg
	93450058	HINGE SUPPORT	0.216 Kg
	93450037	LOCKING PLATE	0.120 Kg
	93450059	ZINC PLATED PLATE	0.094 Kg
11	17008390	BRACKET FOR TAILGATE HOOK	0.240 Kg
12	17008409	ROPE TIGHTENER	0.140 Kg
13	93450039	PLATFORM SIDE BELT ROPE BINDER (Right)	3.120 Kg
	93450040	PLATFORM SIDE BELT ROPE BINDER (Right)	3.120 Kg
14	17008180	HEAVY DUTY FORK SUPPORT	5.700 Kg
	17008190	Ø32 PIN TYPE 1	1.380 Kg
	17008168	Ø32 PIN TYPE 2	1.380 Kg
	17008195	TYPE 1 WASHER	0.042 Kg
	17008167	TYPE 2 WASHER	0.042 Kg

1 513084.00 INF



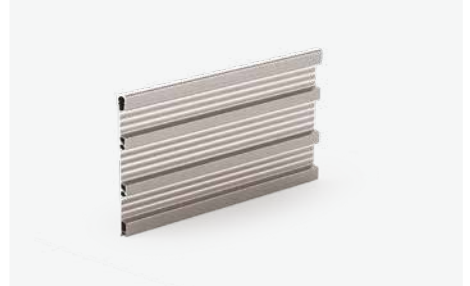
DESCRIPTION	WEIGHT
ALU SIDEBARDS (30MM TR5 PROFILES) H=600	3.890 Kg/m

1 513151.00 MED



DESCRIPTION	WEIGHT
ALU SIDEBARDS (30MM TR5 PROFILES) H=600	3.440 Kg/m

1 513157.00 SUP



DESCRIPTION	WEIGHT
ALU SIDEBARDS (30MM TR5 PROFILES) H=600	4.850 Kg/m

2 93450062



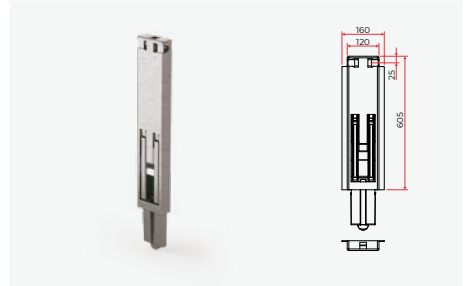
DESCRIPTION	WEIGHT
"SPRING LOCK" FRONT PILLAR H=600 (Right version)	5.900 Kg

2 93450063



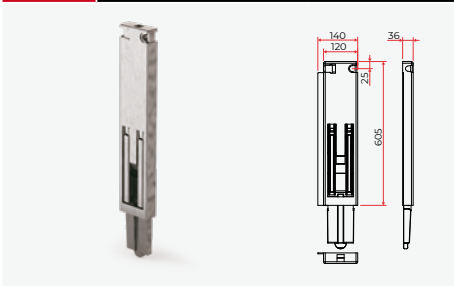
DESCRIPTION	WEIGHT
"SPRING LOCK" FRONT PILLAR H=600 (Right version)	5.900 Kg

3 93450064



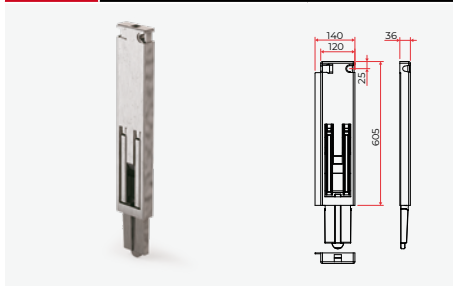
DESCRIPTION	WEIGHT
"SPRING LOCK" MIDDLE PILLAR H=600	12.920 Kg

4 93450065



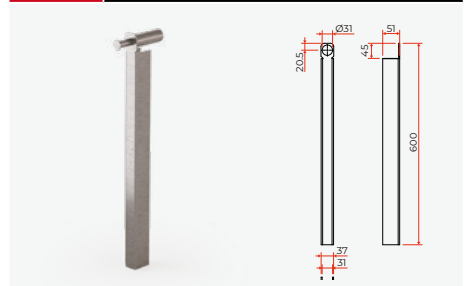
DESCRIPTION	WEIGHT
"SPRING LOCK" REAR PILLAR H=600 (Right)	11.400 Kg

4 93450066



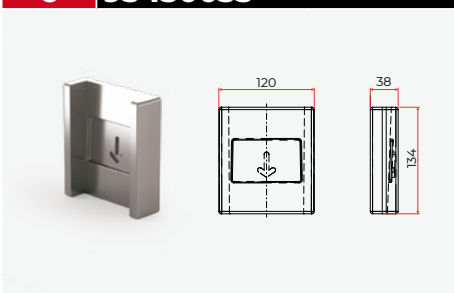
DESCRIPTION	WEIGHT
"SPRING LOCK" REAR PILLAR H=600 (Left)	11.400 Kg

5 93450067



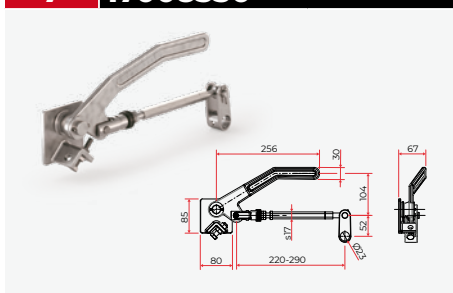
DESCRIPTION	WEIGHT
Zinc plated, SIDEBARDS END-CAPS FOR TR5 PROFILES	1.730 Kg

6 93450033



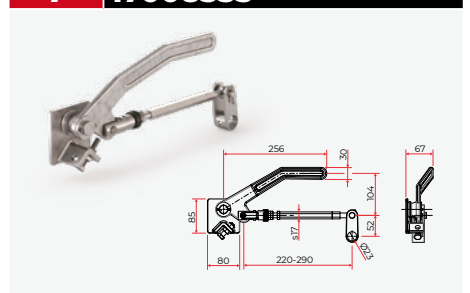
DESCRIPTION	WEIGHT
SOCKET	2.100 Kg

7 17008350




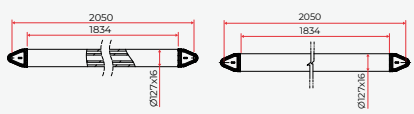
DESCRIPTION	WEIGHT
OVER-CENTER LOCK (Right version)	1.950 Kg

7 17008355




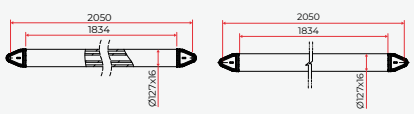
DESCRIPTION	WEIGHT
OVER-CENTER LOCK (Right version)	1.950 Kg

8 93450060


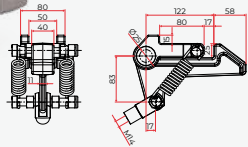
DESCRIPTION	WEIGHT
FRONT THREE-WAY TIPPING BEAM	99.10 Kg

8 93450061


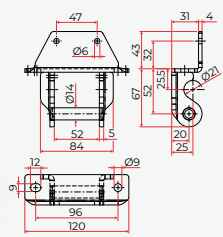
DESCRIPTION	WEIGHT
REAR THREE-WAY TIPPING BEAM	132.00 Kg

9 17008276


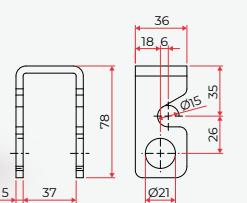
DESCRIPTION	WEIGHT
AUTOMATIC TAILGATE RELEASE	3.900 Kg

10 93450035


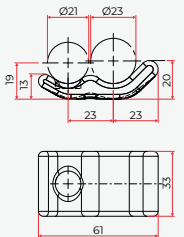
DESCRIPTION	WEIGHT
ZINC PLATED HINGE	0.432 Kg

10 93450036


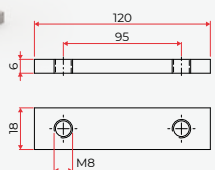
DESCRIPTION	WEIGHT
HINGE SUPPORT	0.216 Kg

10 93450037


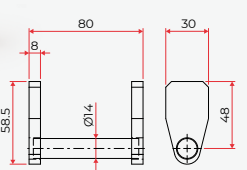
DESCRIPTION	WEIGHT
LOCKING PLATE	0.120 Kg

10 93450059


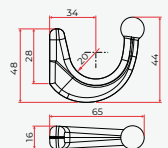
DESCRIPTION	WEIGHT
ZINC PLATED PLATE	0.094 Kg

11 17008390

DESCRIPTION	WEIGHT
BRACKET FOR TAILGATE HOOK	0.240 Kg

12 17008409


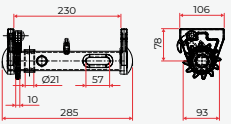
DESCRIPTION	WEIGHT
ROPE TIGHTENER	0.140 Kg

13 93450039




DESCRIPTION	WEIGHT
PLATFORM SIDE BELT ROPEBINDER (Right)	3.120 Kg

13 93450040

DESCRIPTION	WEIGHT
PLATFORM SIDE BELT ROPEBINDER (Left)	3.120 Kg

14 17008180




DESCRIPTION	WEIGHT
HEAVY DUTY FORK SUPPORT	5.700 Kg

14 17008190

DESCRIPTION	WEIGHT
Ø32 PIN TYPE 1	1.380 Kg

14 17008168

DESCRIPTION	WEIGHT
Ø32 PIN TYPE 2	1.380 Kg

14 17008167

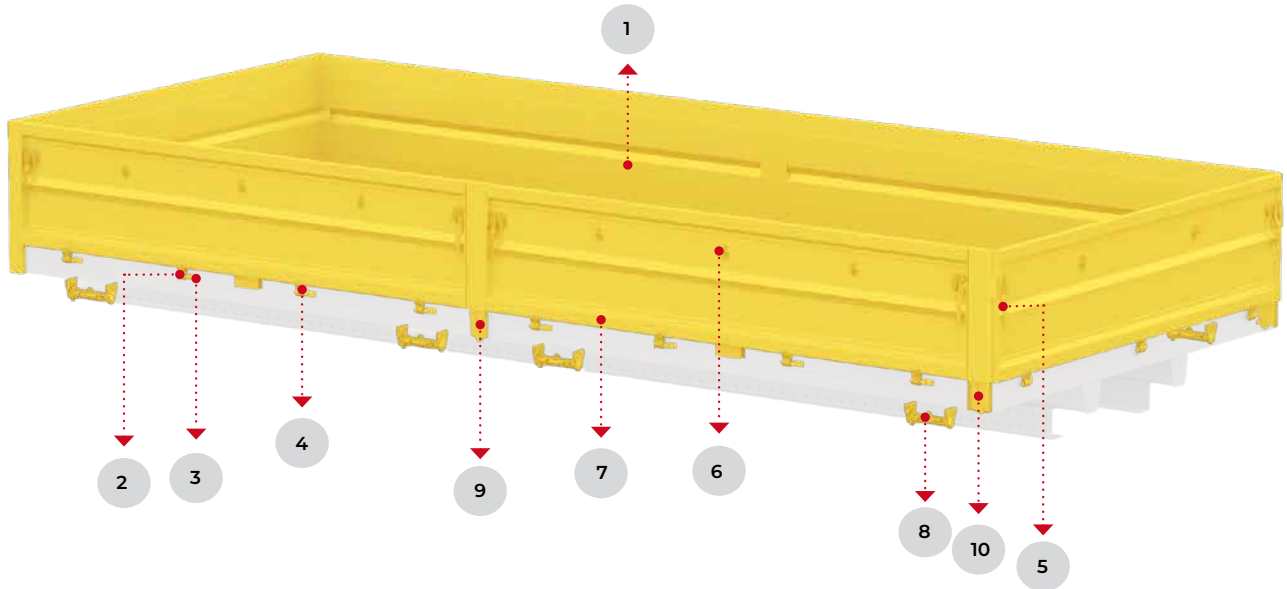
DESCRIPTION	WEIGHT
TYPE 2 WASHER	0.042 Kg

14 17008195

DESCRIPTION	WEIGHT
TYPE 1 WASHER	0.042 Kg

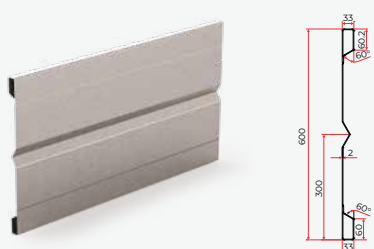


MEDIUM-HEAVY WEIGHT DROPSIDE BODY - STEEL - 18÷26 TON



POSITION NO.	PART NO.	DESCRIPTION	WEIGHT
1	93450041	SIDEBOARD PROFILE H=600	14.300 Kg/m
2	93450042	HINGE	0.435 Kg
3	93450043	PIN Ø15.5	0.242 Kg
4	93450044	PIN WITH HOLE Ø15.5	0.242 Kg
5	93450045	"E" SIDEBOARD CATCH (Right)	1.180 Kg
	93450046	"E" SIDEBOARD CATCH (Left)	1.180 Kg
6	93450047	ROPE TIGHTENER	0.084 Kg
7	93450048	CARGO RING BOX	1.350 Kg
8	93450039	PLATFORM SIDE BELT ROPE BINDER (Right)	3.120 Kg
	93450040	PLATFORM SIDE BELT ROPE BINDER (Left)	3.120 Kg
9	93450032	FORGED MALE PART	3.500 Kg
10	93450049	FORGED FEMALE PART	1.880 Kg

1 **93450041**



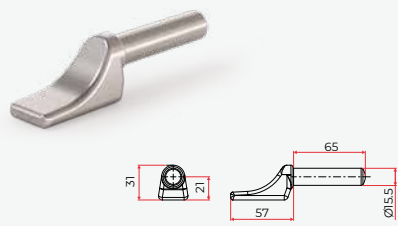
DESCRIPTION	WEIGHT
SIDEBOARD PROFILE H=600	14.300 Kg/m

2 **93450042**



DESCRIPTION	WEIGHT
HINGE	0.435 Kg

3 **93450043**



DESCRIPTION	WEIGHT
PIN Ø15.5	0.242 Kg

4 93450044

DESCRIPTION	WEIGHT
PIN WITH HOLE Ø15.5	0.242 Kg

5 93450045

DESCRIPTION	WEIGHT
"E" SIDEBOARD CATCH (Right)	1.180 Kg

5 93450046

DESCRIPTION	WEIGHT
"E" SIDEBOARD CATCH (Left)	1.180 Kg

6 93450047

DESCRIPTION	WEIGHT
ROPE TIGHTENER	0.084 Kg

7 93450048

DESCRIPTION	WEIGHT
"CARGO RING BOX	1.350 Kg

8 93450039

DESCRIPTION	WEIGHT
PLATFORM SIDE BELT ROPE BINDER (Right)	3.120 Kg

8 93450040

DESCRIPTION	WEIGHT
PLATFORM SIDE BELT ROPE BINDER (Left)	3.120 Kg

9 93450032

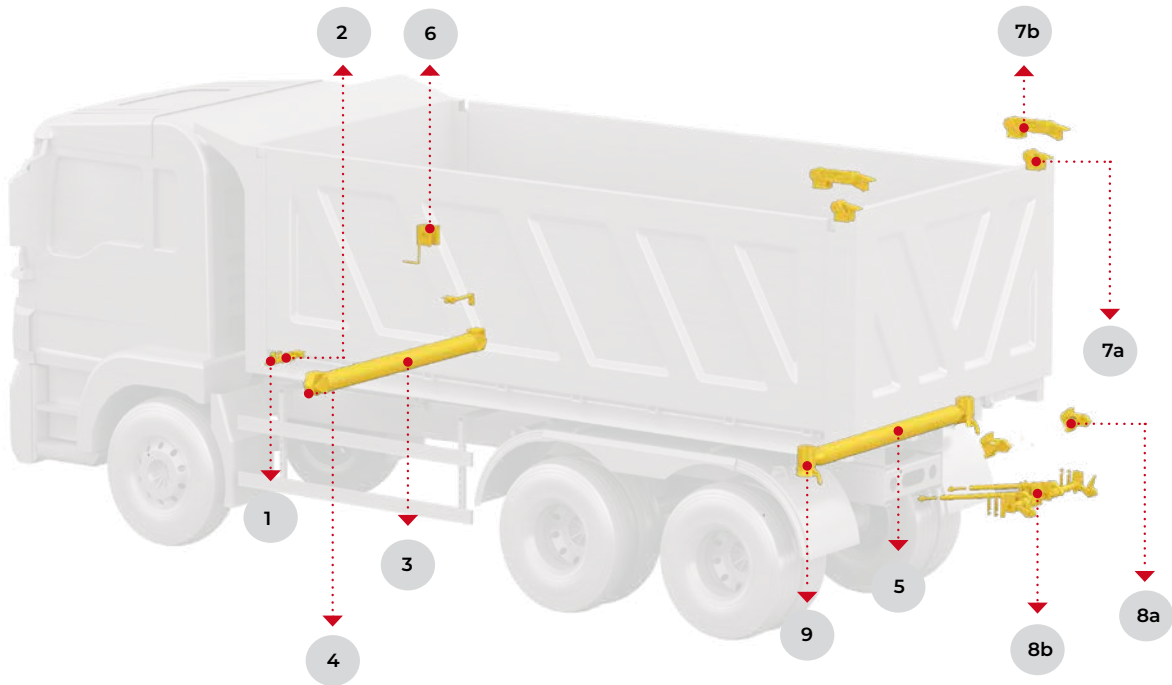
DESCRIPTION	WEIGHT
FORGED MALE PART	3.500 Kg

10 93450049

DESCRIPTION	WEIGHT
FORGED FEMALE PART	1.880 Kg

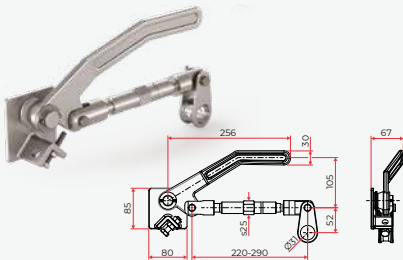


THREE-WAY TIPPER HEAVY WEIGHT - STEEL - 32 TON



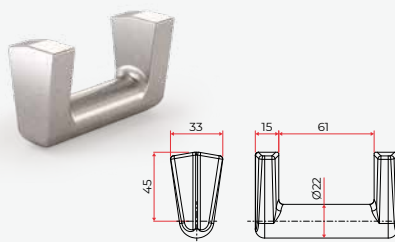
POSITION NO.	PART NO.	DESCRIPTION	WEIGHT	QTY
1	17008351, 17008352	OVER-CENTER LOCK W/HEAVY REGISTER Right /Left	2.500 Kg	
2	17008355	HINGE	0.456 Kg	
	17008368	SUPPORT	0.328 Kg	
	17008367	LOCKING PLATE	0.412 Kg	
3	93450051	FRONT THREE-WAY TIPPING BEAM	117.00 Kg	
4	93450053	HEAVY DUTY FORK SUPPORT TYPE 1	5.136 Kg	
	93450052	HEAVY DUTY FORK SUPPORT TYPE 2	5.054 Kg	
5	93450054	"SERIE 3000" BEAM KIT	96.00 Kg	
6	17008380	CE SPARE WHEEL WINCH	0.510 Kg	
	93450055	CE SWINCH LEVER	0.510 Kg	
7a	93450056	REAR DOOR HINGE	9.030 Kg	
7b	09207160	DOUBLE REAR DOOR HINGE	19.490 Kg	
8a	000720.00	AUTOMATIC TAILGATE RELEASE	5.200 Kg	
8b	000730.00	AUTOMATIC TAILGATE RELEASE	29.220 Kg	
9	030931.00	"SERIE 3000" TYPE 1 BALL SUPPORT Ø100	5.600 Kg	x2
	030932.00	"SERIE 3000" TYPE 2 BALL SUPPORT Ø100	5.600 Kg	x2
	030931.13	"SERIE 3000" CAP Assemble with screw	0.210 Kg	x4
	030933.00	TYPE 1 PIN	1.090 Kg	x1
	030934.00	TYPE 2 PIN	1.090 Kg	x1

1 17008351, 17008352



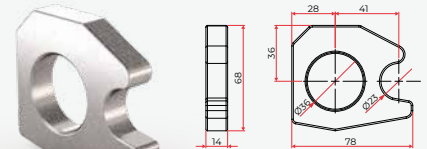
DESCRIPTION	WEIGHT
OVER-CENTER LOCK W/HEAVY REGISTER Right /Left	2.500 Kg

2 17008355



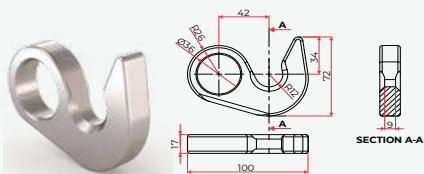
DESCRIPTION	WEIGHT
HINGE	0.456 Kg

2 17008368



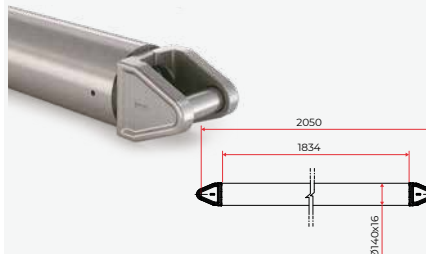
DESCRIPTION	WEIGHT
SUPPORT	0.328 Kg

2 17008367



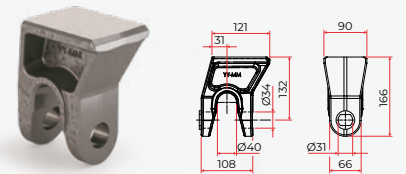
DESCRIPTION	WEIGHT
LOCKING PLATE	0.412 Kg

3 93450051



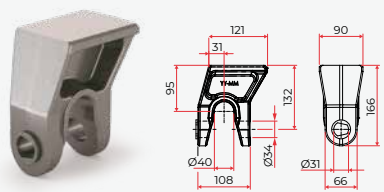
DESCRIPTION	WEIGHT
FRONT THREE-WAY TIPPING BEAM	117.00 Kg

4 93450053



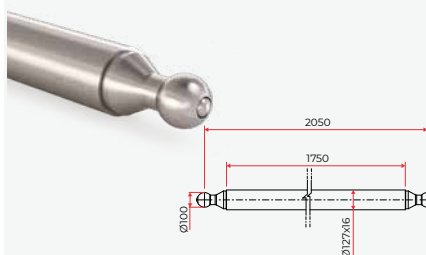
DESCRIPTION	WEIGHT
HEAVY DUTY FORK SUPPORT TYPE 1	5.136 Kg

4 93450052



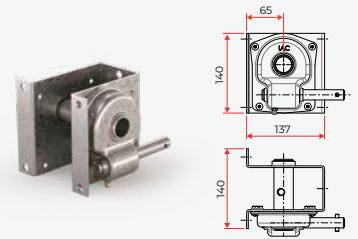
DESCRIPTION	WEIGHT
HEAVY DUTY FORK SUPPORT TYPE 2	5.054 Kg

5 93450054



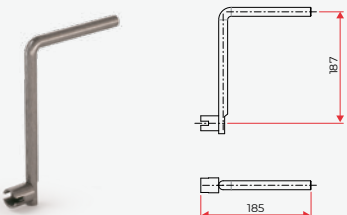
DESCRIPTION	WEIGHT
"SERIE 3000" BEAM KIT	96.00 Kg

6 17008380



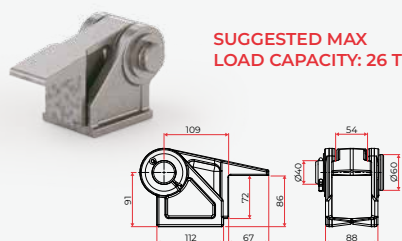
DESCRIPTION	WEIGHT
CE SPARE WHEEL WINCH	0.510 Kg

6 93450055



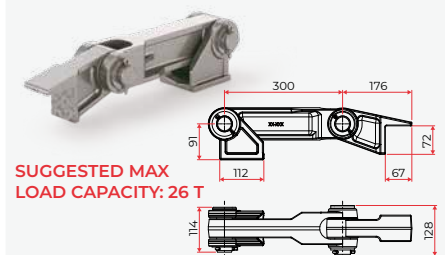
DESCRIPTION	WEIGHT
CE SWINCH LEVER	0.510 Kg

7a 93450056



DESCRIPTION	WEIGHT
REAR DOOR HINGE	9.030 Kg

7b 09207160



DESCRIPTION	WEIGHT
DOUBLE REAR DOOR HINGE	19.490 Kg

8a 17008133

SUGGESTED MAX LOAD CAPACITY: 26 T

DESCRIPTION	WEIGHT
AUTOMATIC TAILGATE RELEASE	5.200 Kg

8b 000730.00

DESCRIPTION	WEIGHT
AUTOMATIC TAILGATE RELEASE	29.220 Kg

9 030931.00

SECTION A-A

DESCRIPTION	WEIGHT
"SERIE 3000" TYPE 1 BALL SUPPORT Ø100	5.600 Kg

9 030932.00

SECTION A-A

DESCRIPTION	WEIGHT
ZINC PLATED HINGE	0.432 Kg

9 030931.13

DESCRIPTION	WEIGHT
"SERIE 3000" CAP Assemble with screw	0.210 Kg

9 030933.00

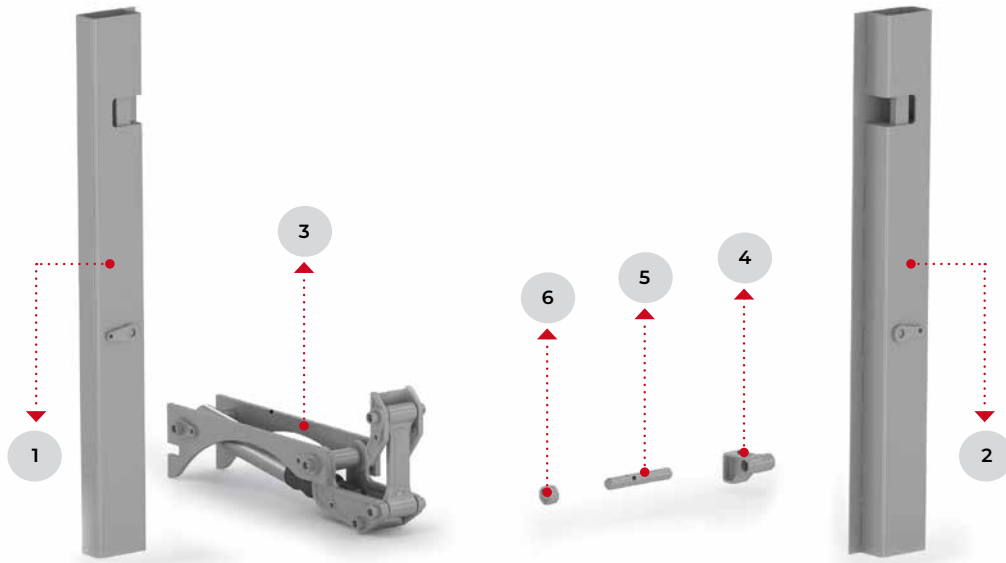
DESCRIPTION	WEIGHT
TYPE 1 PIN	1.090 Kg

9 030934.00

DESCRIPTION	WEIGHT
TYPE 2 PIN	1.090 Kg



HYDRAULIC SIDEPANEL KIT (CODE 00280.00)



POSITION NO.	PART NO.	DESCRIPTION	QTY
1	000295.00SXH	Front-Left / Rear-Right Pillar H=1280	1
2	000295.00HXP	Front-Right / Rear-Left Pillar H=1280	1
3	000296.00H	Hydraulic Hinge kit	2
4	000283.00	Support	5
5	000287.01	Ø30 Pin	8
6	000287.70	Bushing	2

1 000295.00SHX

DESCRIPTION	QTY
Front-Left / Rear-Right Pillar H=1280	1

2 000295.00HXP

DESCRIPTION	QTY
Front-Right / Rear-Left Pillar H=1280	1

3 000296.00H

DESCRIPTION	QTY
Hydraulic Hinge kit	2

4 000283.00

DESCRIPTION	QTY
Support	5

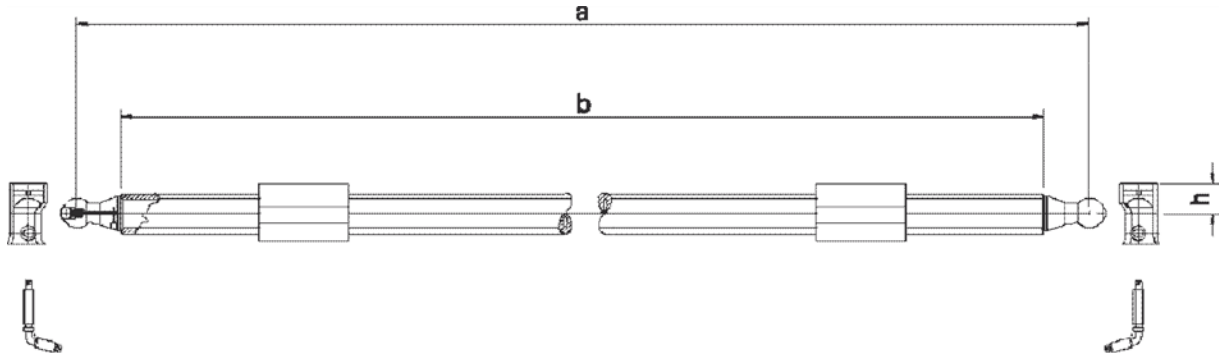
5 000287.01

DESCRIPTION	QTY
Ø30 Pin	8

6 000287.70

DESCRIPTION	QTY
Bushing	2

THREE-WAY TIPPER BEAM SET









Three-way tipper beam kit (not welded)

Tone	Part No.	Dimensions (mm)					Kg.
		a**	b	ø	h	d	
12	031180.00	2050	1830	60	60	82 x 12,5	44,000
24	93450038	2050	1810	80	85	108 x 12,5	71,000
36	93450054	2050	1750	100	90	127 x 16	107,000

**Dimension are available in any other lengths, on demand

Spare parts

Part No.	Ball*	supp. type 1	supp. type 2	PVC cap	Lock. pin 1	Lock. pin 2	stabilizer
							
031180.00	030910.00	030911.00	030912.00	030911.13	030913.00	030914.00	/
93450038	030920.00	50308031	50308031	50308088	50308090	50308095	031100.00
93450054	030930.00	030931.00	030932.00	030931.13	030933.00	030934.00	030808.00

* Not welded, included in beam assembly



UNIBLOC OIL COOLER

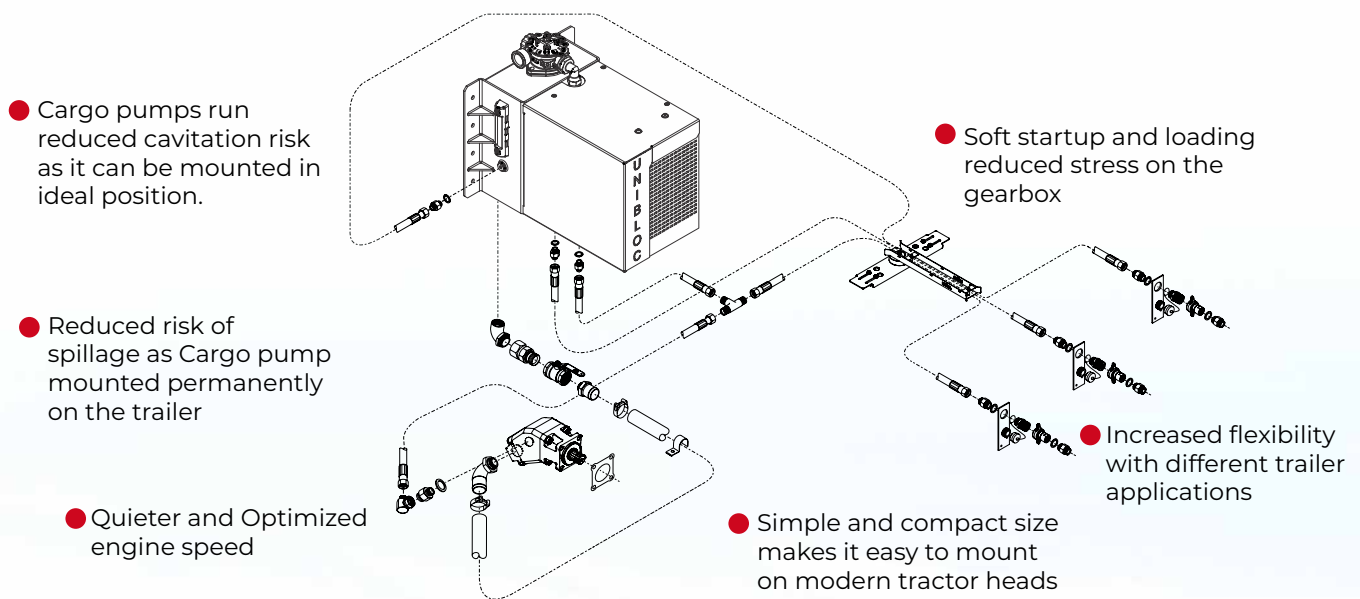
UNIBLOC OIL COOLER

The Hyva-UNIBLOC oil cooler is a compact one assembly high quality and low weight oil cooler that allows faster installation, lower overall lifetime cost and increased payload.

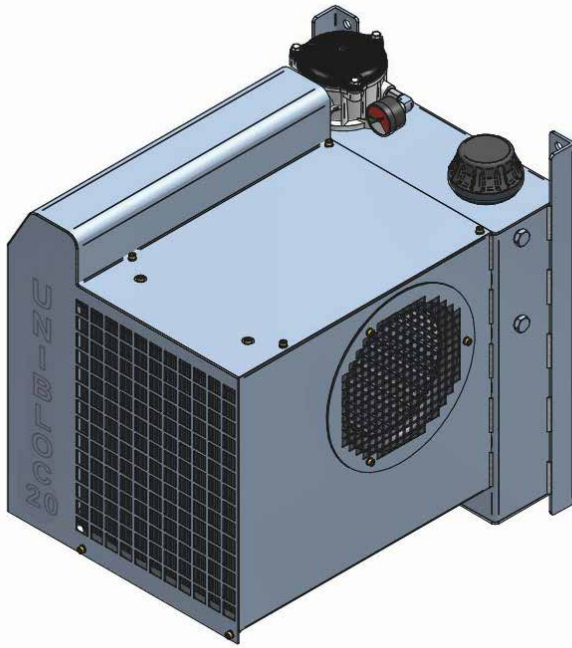
The unit consist of a built-in safety valve for drive systems working at high pressure. The system has a compact shape and size making it ideal for mounting on the new generation truck chassis where space is critical. The need for a high-volume oil tank is completely eliminated allowing increased payload.

Main Features

- Robust Stainless steel construction
- Compact low weight for easy installation on tractors and trucks
- High Heat dissipation with low noise Cooling fan, radiator and hydraulic motor
- Capable of system pressure of 315 bar (4570 psi)
- Easy maintenance—no need to disassemble cooler parts
- Heavy-duty roller bearings
- 25um filtration capacity
- Reinforced L-style brackets



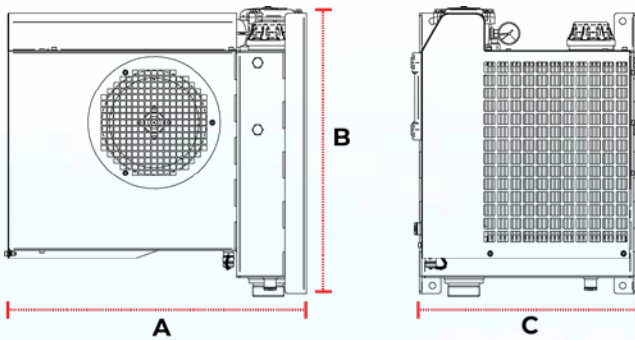
UNIBLOC-13



Specification		
Hydraulic Flowrate	from 40 to 130 l/min.	from 10.5 to 34 gpm
Hydraulic Pressure	from 40 to 315 bar	from 580 to 4570 psi
Fan Motor Speed	2500 rpm	2500 rpm
Heat dissipation	13kW	17.4HP
Oil tank capacity	13dm ³	3.4US gal
Return line filtration	25 µm	25 µm
Weight	36 kg	79.4 lbs

UNIBLOC-20

Specification		
Hydraulic Flowrate	from 55 to 200 l/min.	from 14.5 to 53 gpm
Hydraulic Pressure	from 30 to 300 bar	from 435 to 4350 psi
Fan Motor Speed	2800 rpm	2800 rpm
Heat dissipation	20kW	26.8 HP
Oil tank capacity	16dm ³	4.0US gal
Return line filtration	25 µm	25 µm
Weight	42.5 kg	93.7 lbs



UNIBLOC	A	B	C
13	542	476	410
20	570	547	400

*Check full Kit specs. - Hyva KIT830.

CUSTOMER BENEFITS

- Improved productivity and efficiency with faster unloading than standard two-circuit wet-kit.
- Using an Oil cooler prevents oxidative degradation of oil due to high temperature so it retains its properties longer.
- With a compact construction and less oil used, the total cost of ownership is lowered with quicker maintenance .
- Environmentally friendly lower weight reduces vehicle's fuel consumption and greenhouse gas emissions.
- Longer working cycles than typical standard two-circuit wet-kit installations.
- Increased residual value of the solution with durable robust stainless steel construction.

HYVA BRANDED: COVER SYSTEMS

Hyva Slider is a quality system designed for the toughest work, made from arced tubes that slides on the top of the platform edges without rails so the cover completely disappear when the system is opened. it can be electrical or maneuvered by a manual lever. It's operated by a wire system that ensure that it always goes straight.



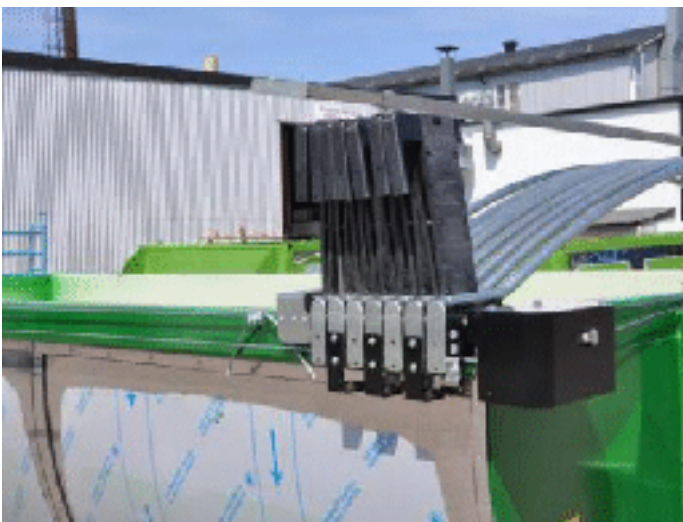
OPEN FROM THE SIDE

PRODUCT SPECIFICATION	
MANUAL	UP TO 6M
GEAR	UP TO 6M
AIR	UP TO 14M
MAXI	UP TO 14M



OPEN FROM THE MIDDLE

PRODUCT SPECIFICATION	
MANUAL	UP TO 6M
HYDRAULIC	UP TO 9M
PNEUMATIC	UP TO 9M



SLIDING SYSTEM ROLLING FROM BACK TO FRONT (UP TO 12M)

2 types:

One system with manual opening, can also be equipped with DC 24 drive system with remote.

Other system including a front box section with al mecha-
nic, have only DC 24 drive system with remote

COUPLING



AUTOMATIC DRAWBAR COUPLING (BOLT COUPLINGS FOR 40 MM DRAWBAR EYES) TYPE 4040 A

For connecting to drawbar eyes
DIN 74054 - ISO 8755



AUTOMATIC DRAWBAR COUPLING (BOLT COUPLINGS FOR 50 MM DRAWBAR EYES) TYPE 5050 A

For heavy weight transports also
heavy duty drawbar eye 50mm
DIN 74053 - ISO 1102-D50



DRAWBAR COUPLINGS (BOLT COUPLINGS WITH 25 MM BOLT)

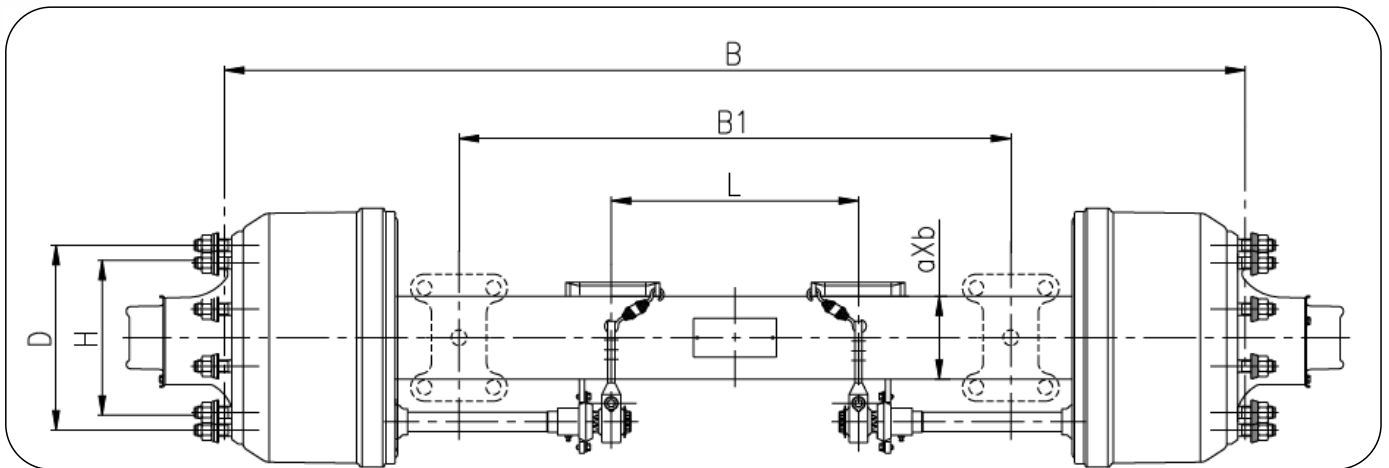
TYPE 5050 A
TYPE 2025 SK (25mm)
Automatic trailer coupling for
industrial trucks
DIN 8454



COUPLING - 40MM Pin coupling (25,38, 40, 45, 50 & 57 mm) Ball hitch coupling Pintle hooks

E40
Automatic rigid drawbar coupling
To suits drawbar eyes : 40mm
Homologations : 94/20/CE - ECE R55.01

AXLE - BM 01 SERIES



PRODUCT SPECIFICATION

Capacity	13 to 20 Tons
Track Length (TR)	1820mm - 1850mm
Brake Dimensions	420 X 200mm, 420 X 220mm
Round Axle Beam	150 X 150mm



HYVA slideKAP

HYVA SLIDEKAP

HYVA slideKAP is an automatic tarpaulin system designed to be used on a tipper body, both rigid tipper and semi trailer tipper. HYVA slideKAP improves driver working conditions by allowing tarpaulin operation from the ground level. Special sliders construction result in opening and closing time reduction and greater work effectiveness of the tipper. On a short working distances it means few additional transports daily. This benefits, together with attractive purchase price, guarantee fast investment in automatic tarpaulin system return. HYVA slideKAP is always customized for the individual tipper body, thanks to which we get perfect adjustment and working ergonomics. Customer can choose from a wide range of options, starting from manual or automatic drive, bow height, tarpaulin material, to rear closing type. Due to compact connecting parts the roof requires short amount of space after opening (details in the graph below).

ADVANTAGES

- Fast opening and closing
- Easy operation from a ground level
- Improved safety
- Compatibility with almost every tipper
- Remote control operation from up to 50 m with electric engine option
- Compact when opened – large loading space · Lower fuel consumption and risk of loosing load in comparison to driving without tarpaulin
- Attractive price

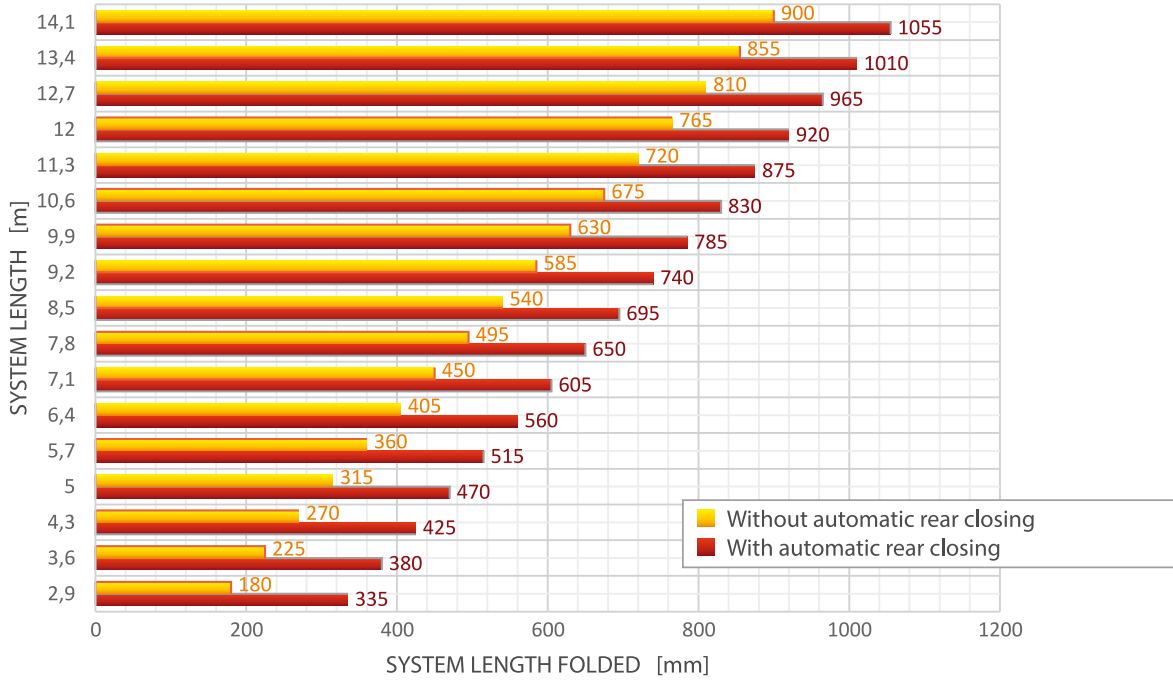
CONFIGURATION OPTIONS

- Manual hand crank or electric drive version with remote control
- Bow height: 300 mm, 400 mm, 500 mm or 600 mm
- Standard tarpaulin or heat resistant material for asphalt transport (neoprene or special two layer insulated tarpaulin)
- Tarpaulin grammage 680 g/m or 900 g/m
- Side locking system in form of „Z” profile or special hooks
- Rear closing: rolled tarpaulin with springs, semi or full automatic back-door

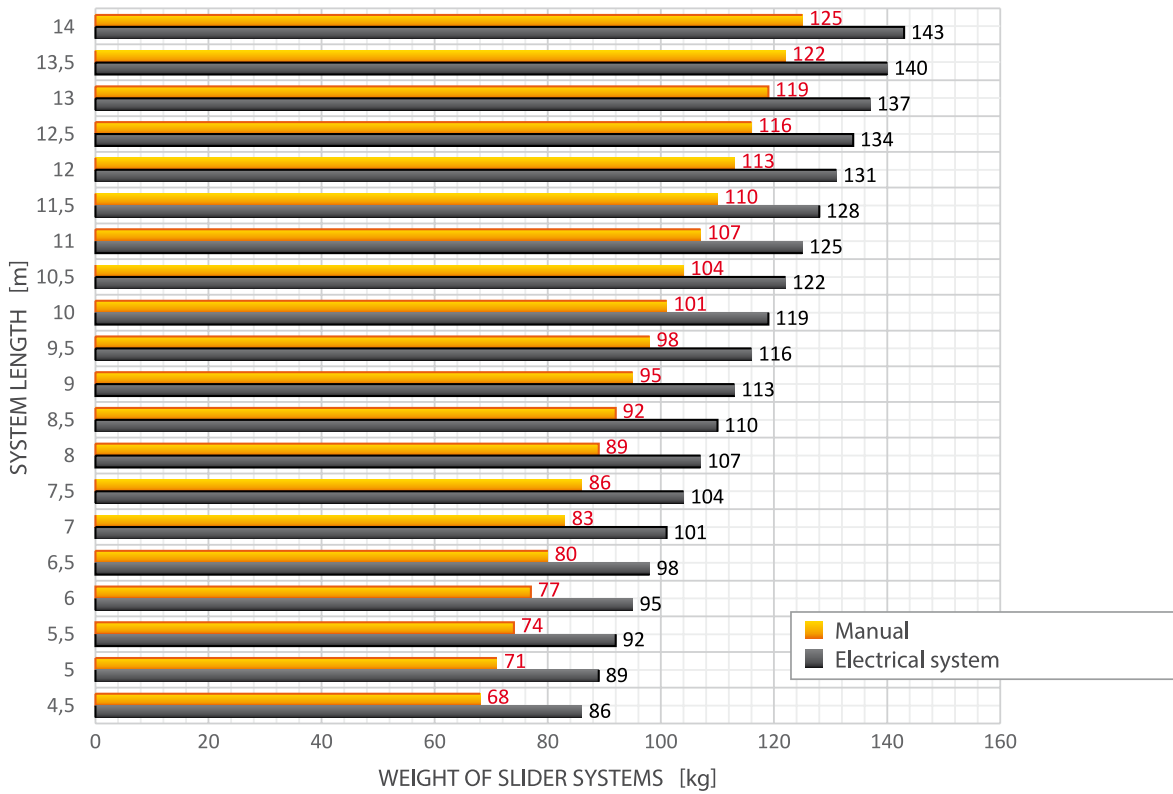


Tarpaulin connector

SYSTEM LENGTH FOLDED



WEIGHT OF SLIDER SYSTEMS



ORDER FORM

Company:

Shipping adress:

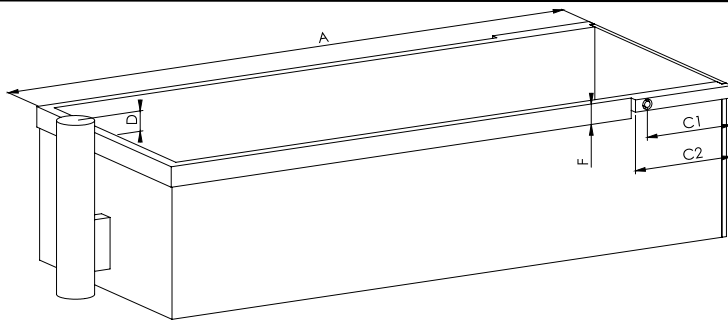
Reference:

Phone: + _____

Reference:

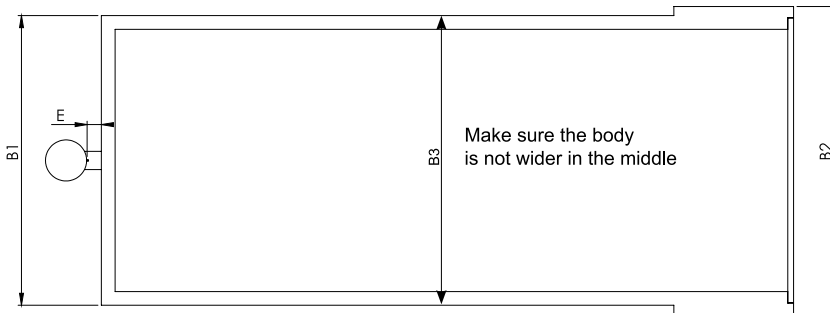
Phone: + _____

VAT NO. _____



DIMENSIONS

A = Length
B1 = Width
B2 = Door Width
B3 = Middle Width
C1 = Distance to Hinge
C2 = Total Distance of Door
D = Height of cylinder (+/-)
E = Distance to Cylinder
F = Height of Frame



A _____
B1 _____
B2 _____
B3 _____
C1 _____
C2 _____
D _____
E _____
F _____

3D drawing attached

2D drawing attached

No need to fill up dimensions above if 3D or 2D drawing is attached.

SYSTEM TYPE

Manual

Motor + Remote

OPERATING SIDE

Drivers side (standard)

Opposite side

ARC HEIGHT

300mm (standard)

400mm

500mm

600mm

Special request: _____

CLOSING

Semi Auto-Back; flap + rubber straps (standard)

Auto-Back; automatic flap

Roller with springs

WIND HOOKS

Wind hooks for Z-profile (standard)

Wind hooks with pockets

TARPAULIN

PVC (standard)

Insulated (for asphalt)

TARPAULIN THICKNESS

680 g/m² (standard)

900 g/m²

Color _____ RAL no. _____

ADDITIONAL INFORMATION

110 countries
+3,500 employees
20,000 customers
+30 subsidiaries
12 production facilities



Hyva is a leading provider of innovative and highly efficient transport solutions for commercial vehicles used in transport, construction, mining, materials handling and environmental service industries.

Founded in 1979 in the Netherlands, the company has a global presence with more than 30 wholly owned subsidiaries, extraordinary service coverage and 12 manufacturing facilities in Brazil, China, Europe and India.

For more information on Hyva, please visit www.hyva.com

or follow us on:



Hyva Holding B.V.
Antonie van Leeuwenhoekweg 37
2408 AK Alphen aan den Rijn
The Netherlands
Telephone: +31 (0)172 - 42 35 55
Telefax: +31 (0)172 - 42 08 80
info@hyva.com
www.hyva.com



ISO 9001 • ISO 14001

Quality and
environmental certified

DEALER STAMP