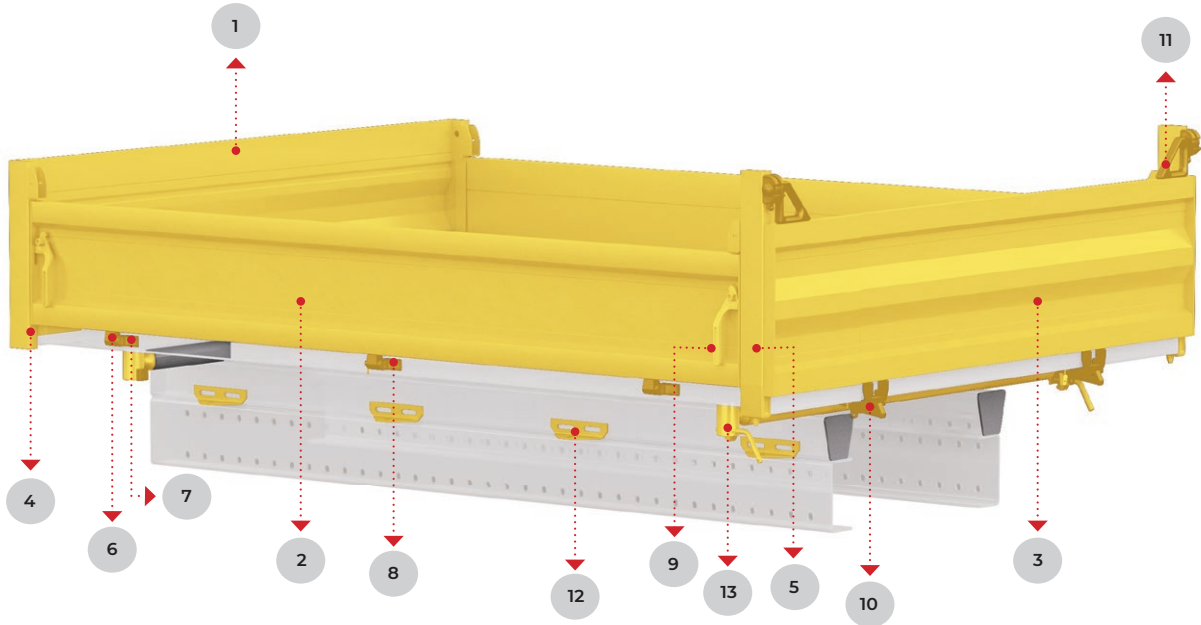




TRUCK BODY AND HINGE KIT ACCESSORIES

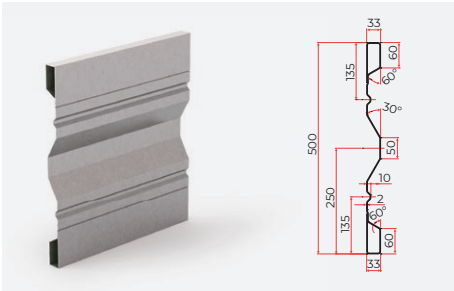


LIGHT WEIGHT TIPPER - DROPSIDES THREE-WAY TIPPER - STEEL (3.5 TON)



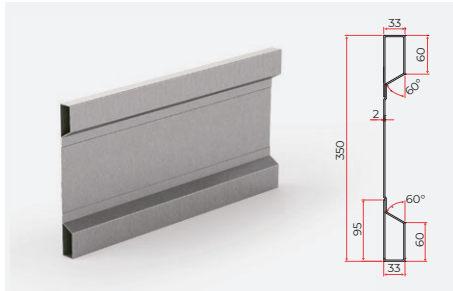
POSITION NO.	PART NO.	DESCRIPTION	WEIGHT	QTY
1	93450001	STEEL PROFILE: Front sideboard H=500mm	12.800 Kg/m	
2	93450002	STEEL PROFILE: Front sideboard H=350mm	10.100 Kg/m	
3	93450003	STEEL PROFILE:Front sideboard H=450mm	11.900 Kg/m	
4	93450004	FRONT PILLAR Right / Left	3.150 Kg	
5	93450005	REAR PILLAR Right / Left	4.900 Kg	
	93450006	REAR PILLAR SOCKET	0.570 Kg	
	93450007	Zinc plated-SELF LOCKING NUT M12	0.018 Kg	
6	93450008	Ø15 HINGE	0.256 Kg	
7	93450009	Ø14 PIN	0.260 Kg	
8	93450010	Ø14 PIN WITH HOLE	0.268 Kg	
9	93450011	LIGHT DUTY LOCK FOR SIDEBOARD-Right / Left	0.480 Kg	
	93450012	MOUNTING KIT	0.100 Kg	
10	17008132	AUTOMATIC TAILGATE RELEASE	1.470 Kg	
	17008390	BRACKET FOR TAILGATE HOOK	0.240 Kg	
11	93450013	Ø20 COLUMN FOR REAR PANEL	1.340 Kg	
12	93450014	Hot-dip galvanized CHASSIS SUPPORT	0.500 Kg	
13	93450015	Ø50 BALL	1.660 Kg	x4
	93450016	Ø50 BALL SUPPORT LEFT HAND (Ø14.5 HOLE)	0.630 Kg	x1
	93450017	Ø50 BALL SUPPORT RIGHT HAND (Ø14.5 HOLE)	0.630 Kg	x1
	93450018	Ø50 BALL SUPPORT RIGHT HAND (Ø16.5-12.5 HOLE)	0.630 Kg	x1
	93450019	Ø50 BALL SUPPORT LEFT HAND (Ø16.5-12.5 HOLE)	0.630 Kg	x1
	17008043	PVC CAP	0.052 Kg	x4
	17008041	Ø14 ZINC PLATED PIN	0.240 Kg	x1
	17008042	Ø16-12 ZINC PLATED PIN	0.300 Kg	x1

1 93450001



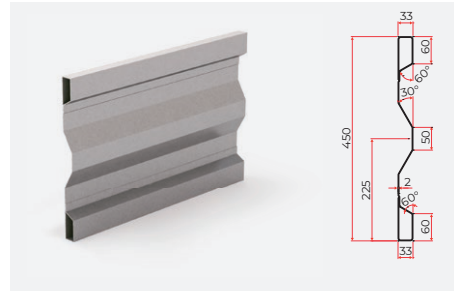
DESCRIPTION	WEIGHT
STEEL PROFILE: Front sideboard H=500mm	12.800 Kg/m

2 93450002



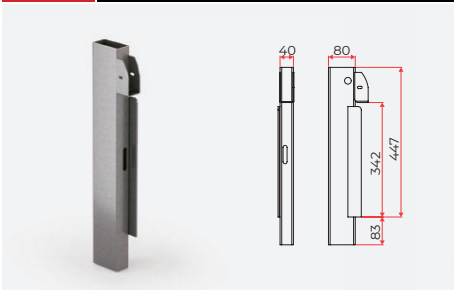
DESCRIPTION	WEIGHT
STEEL PROFILE: Front sideboard H=350mm	10.100 Kg/m

3 93450003



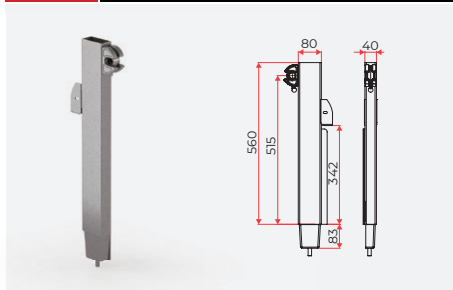
DESCRIPTION	WEIGHT
STEEL PROFILE: Front sideboard H=450mm	11.900 Kg/m

4 93450004



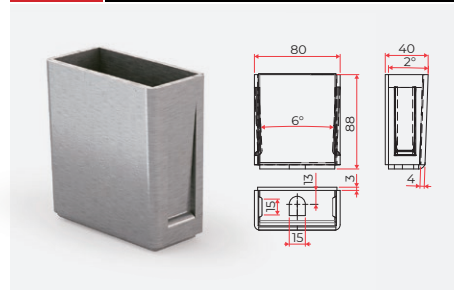
DESCRIPTION	WEIGHT
FRONT PILLAR Right / Left	3.150 Kg

5 93450005



DESCRIPTION	WEIGHT
REAR PILLAR Right / Left	4.900 Kg

5 93450006



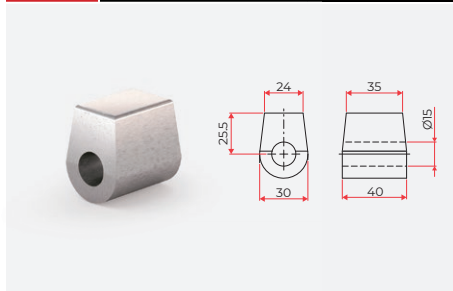
DESCRIPTION	WEIGHT
REAR PILLAR SOCKET	0.570 Kg

5 93450007



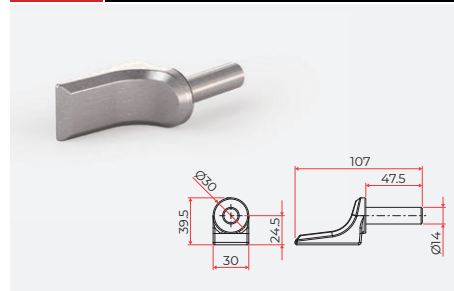
DESCRIPTION	WEIGHT
Zinc plated-SELF LOCKING NUT M12	0.018 Kg

6 93450008



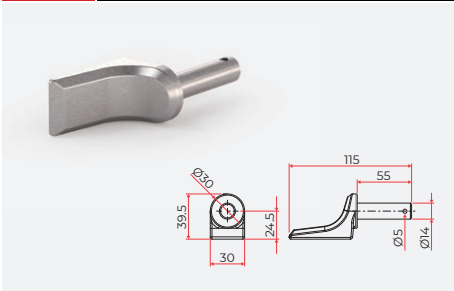
DESCRIPTION	WEIGHT
Ø15 HINGE	0.256 Kg

7 93450009



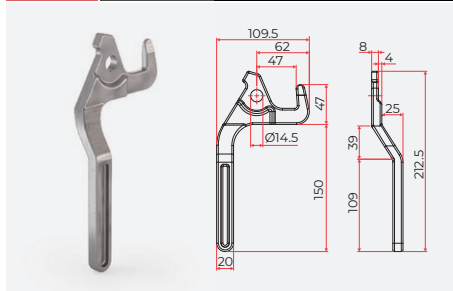
DESCRIPTION	WEIGHT
Ø14 PIN	0.260 Kg

8 93450010



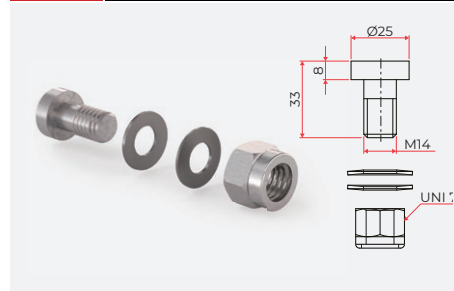
DESCRIPTION	WEIGHT
Ø14 PIN WITH HOLE	0.268 Kg

9 93450011



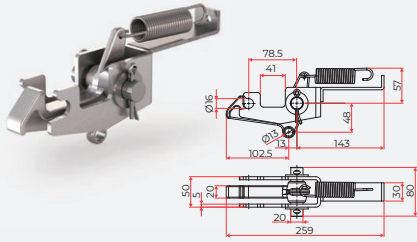
DESCRIPTION	WEIGHT
LIGHT DUTY LOCK FOR SIDEBOARD-Right / Left	0.480 Kg

9 93450012



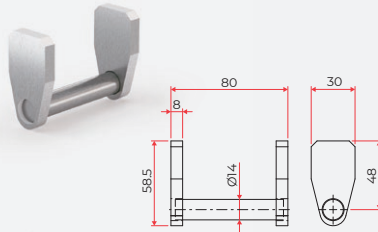
DESCRIPTION	WEIGHT
MOUNTING KIT	0.100 Kg

10 17008132



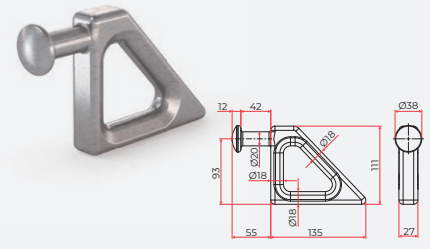
DESCRIPTION	WEIGHT
AUTOMATIC TAILGATE RELEASE	1.470 Kg

10 17008390



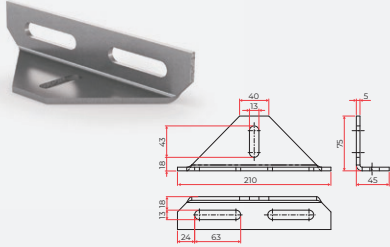
DESCRIPTION	WEIGHT
BRACKET FOR TAILGATE HOOK	0.240 Kg

11 93450013



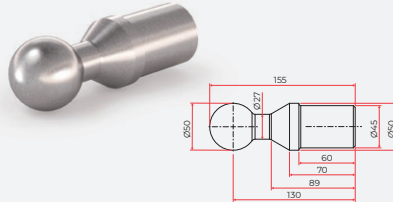
DESCRIPTION	WEIGHT
Ø20 COLUMN FOR REAR PANEL	1.340 Kg

12 93450014



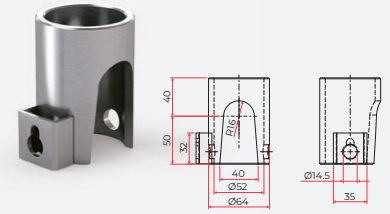
DESCRIPTION	WEIGHT
Hot-dip galvanized CHASSIS SUPPORT	0.500 Kg

13 93450015



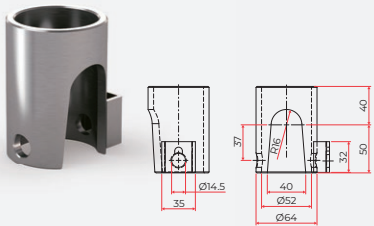
DESCRIPTION	WEIGHT
Ø50 BALL	1.660 Kg

13 93450016



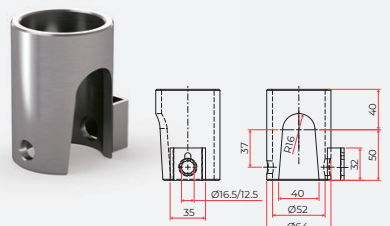
DESCRIPTION	WEIGHT
Ø50 BALL SUPPORT LEFT HAND (Ø14.5 HOLE)	0.630 Kg

13 93450017



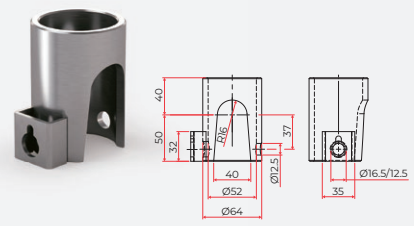
DESCRIPTION	WEIGHT
Ø50 BALL SUPPORT RIGHT HAND (Ø14.5 HOLE)	0.630 Kg

13 93450018



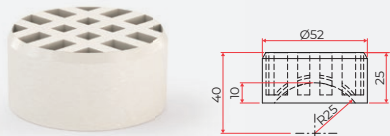
DESCRIPTION	WEIGHT
Ø50 BALL SUPPORT RIGHT HAND (Ø16.5-12.5 HOLE)	0.630 Kg

13 93450019



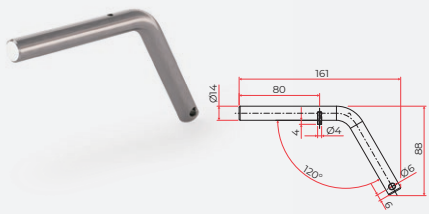
DESCRIPTION	WEIGHT
Ø50 BALL SUPPORT LEFT HAND (Ø16.5-12.5 HOLE)	0.630 Kg

13 17008043



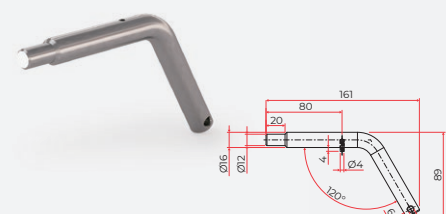
DESCRIPTION	WEIGHT
PVC CAP	0.052 Kg

13 17008041



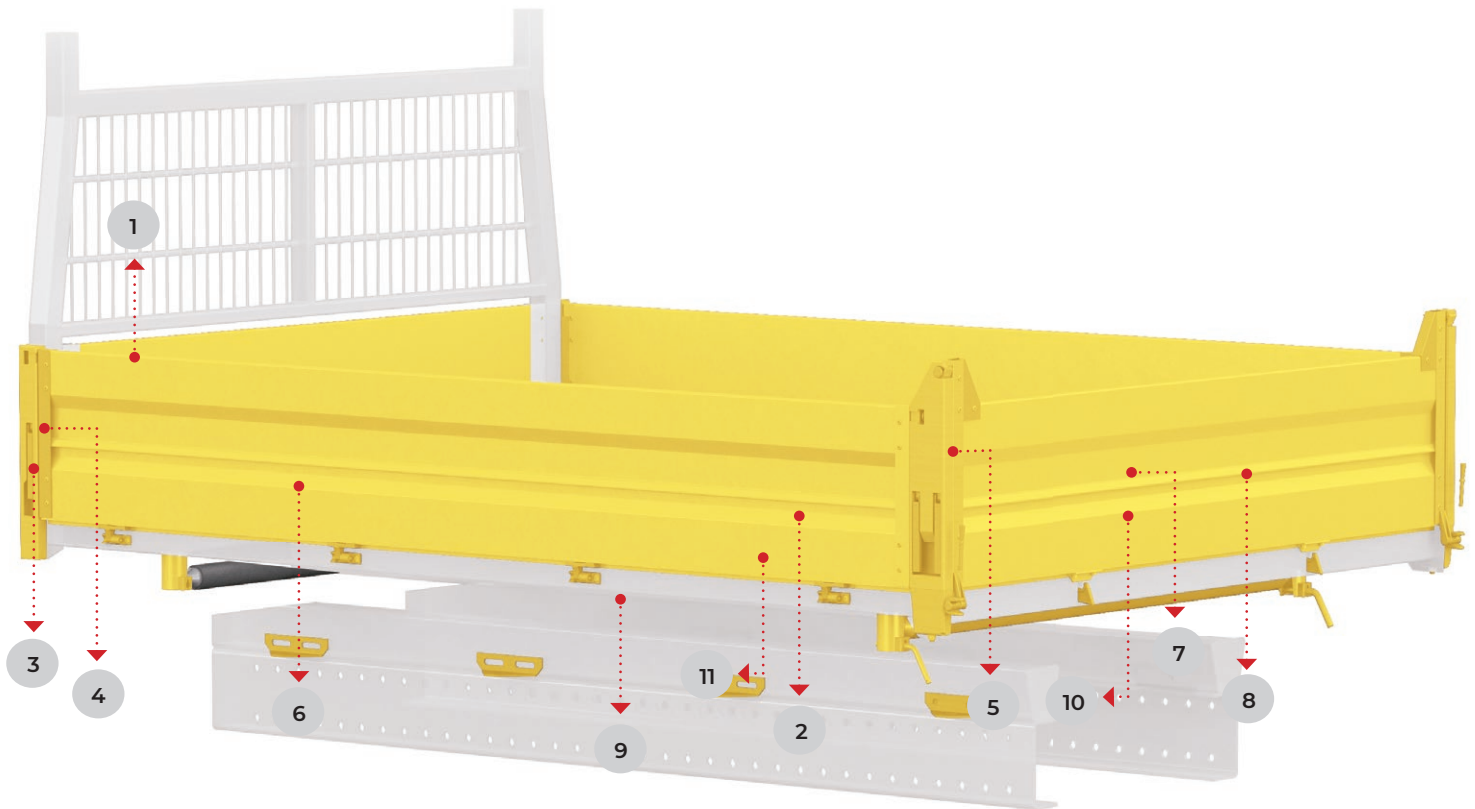
DESCRIPTION	WEIGHT
Ø14 ZINC PLATED PIN	0.240 Kg

13 17008042



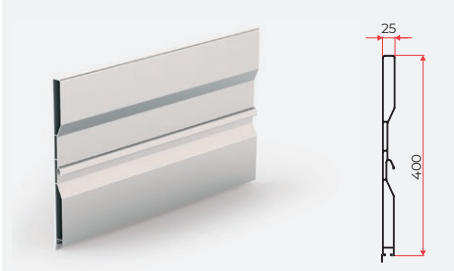
DESCRIPTION	WEIGHT
Ø16-12 ZINC PLATED PIN	0.300 Kg

LIGHT WEIGHT TIPPER - DROPSIDES THREE-WAY TIPPER - ALU (3.5 TON)



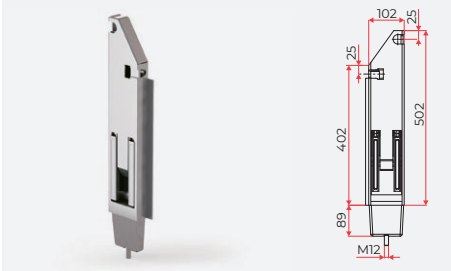
POSITION NO.	PART NO.	DESCRIPTION	WEIGHT	QTY
1	93450020	ALU-PROFILE H=400	1.000 Kg/m	
2	93450021	REAR LIGHT PILLAR Right / Left H=400/500	5.580 Kg/m	
	93450022	REAR PILLAR SOCKET (M12 nut included)	0.500 Kg	
3	93450023	FRONT LIGHT PILLAR Right / Left H=400mm	2.950 Kg	
4	93450024	Zinc-plated END-CAPS Right / Left	0.760 Kg	
5	93450025	Zinc-plated REAR END-CAPS Right / Left	1.390 Kg	
6	93450026	Zinc plated LIGHT Ø12 PIN	0.250 Kg	
	93450027	Zinc-plated PLATE FOR PIN	0.072 Kg	
	93450028	Zinc-plated LIGHT HINGE	0.180 Kg	
7	93450029	Zinc-plated LIGHT SLIP	0.130 Kg	
8	17008412	SUPPORT	0.138 Kg	
	17008413	Ø9 LOCKING PIN	0.064 Kg	
9	93450014	Hot-dip zinc-plated CHASSIS SUPPORT	0.500 Kg	
10	93450030	Zinc-plated TAILGATE HOOK (Ø21 hole)	0.180 Kg	
11	93450015	Ø50 BALL	1.660 Kg	x4
	93450016	Ø50 BALL SUPPORT LEFT HAND (Ø14.5 HOLE)	0.630 Kg	x1
	93450017	Ø50 BALL SUPPORT RIGHT HAND (Ø14.5 HOLE)	0.630 Kg	x1
	93450018	Ø50 BALL SUPPORT RIGHT HAND (Ø16.5-12.5 HOLE)	0.630 Kg	x1
	93450019	Ø50 BALL SUPPORT LEFT HAND (Ø16.5-12.5 HOLE)	0.630 Kg	x1
	17008043	PVC CAP	0.052 Kg	x4
	17008041	Ø14 ZINC PLATED PIN	0.240 Kg	x1
	17008042	Ø16-12 ZINC PLATED PIN	0.300 Kg	x1

1 93450020



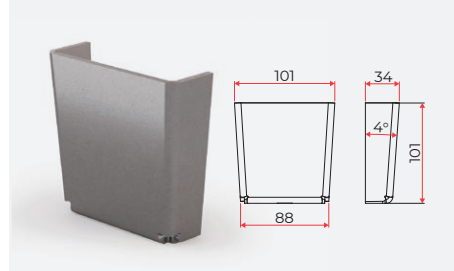
DESCRIPTION	WEIGHT
ALU-PROFILE H=400	1.000 Kg/m

2 93450021



DESCRIPTION	WEIGHT
REAR LIGHT PILLAR Right / Left H=400/500	5.580 Kg/m

2 93450022



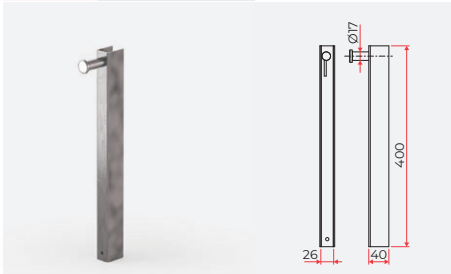
DESCRIPTION	WEIGHT
REAR PILLAR SOCKET (M12 nut included)	0.500 Kg

3 93450023



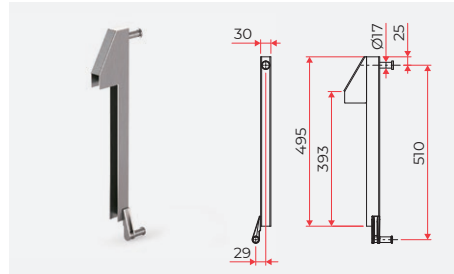
DESCRIPTION	WEIGHT
FRONT LIGHT PILLAR Right / Left H=400mm	2.950 Kg

4 93450024



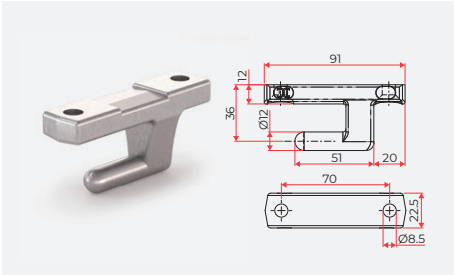
DESCRIPTION	WEIGHT
Zinc-plated END-CAPS Right / Left	0.760 Kg

5 93450025



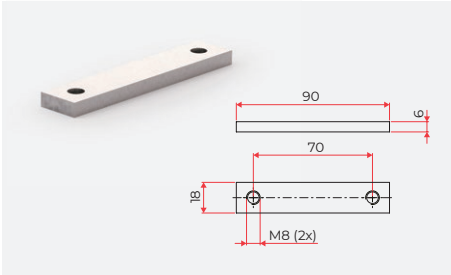
DESCRIPTION	WEIGHT
Zinc-plated REAR END-CAPS Right / Left	1.390 Kg

6 93450026



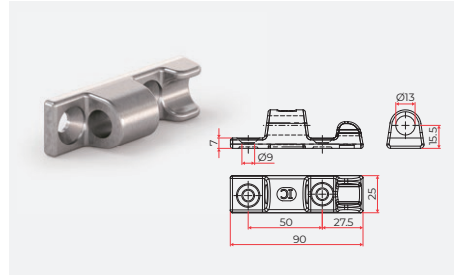
DESCRIPTION	WEIGHT
Zinc plated LIGHT Ø12 PIN	0.250 Kg

6 93450027



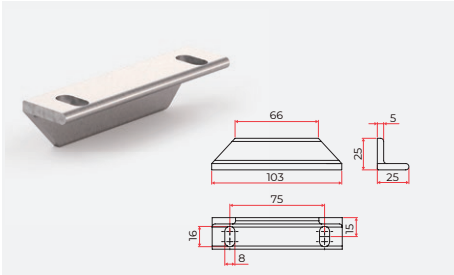
DESCRIPTION	WEIGHT
Zinc-plated PLATE FOR PIN	0.072 Kg

6 93450028



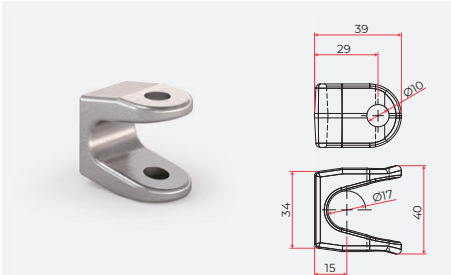
DESCRIPTION	WEIGHT
Zinc-plated LIGHT HINGE	0.180 Kg

7 93450029



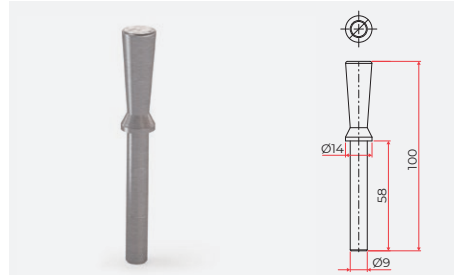
DESCRIPTION	WEIGHT
Zinc-plated LIGHT SLIP	0.130 Kg

8 17008412



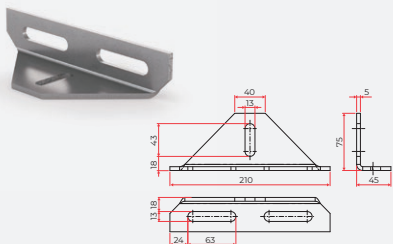
DESCRIPTION	WEIGHT
SUPPORT	0.138 Kg

8 17008413



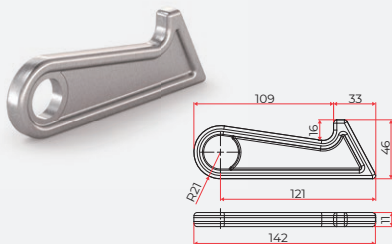
DESCRIPTION	WEIGHT
Ø9 LOCKING PIN	0.064 Kg

9 93450014



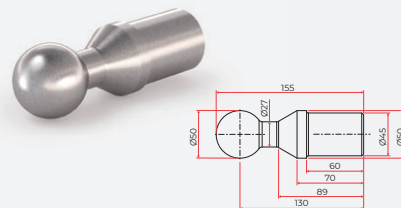
DESCRIPTION	WEIGHT
Hot-dip zinc-plated CHASSIS SUPPORT	0.500 Kg

10 93450030



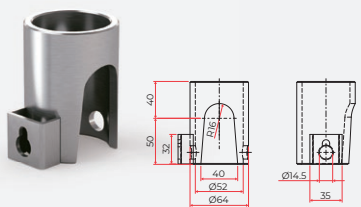
DESCRIPTION	WEIGHT
Zinc-plated TAILGATE HOOK (Ø21 hole)	0.180 Kg

11 93450015



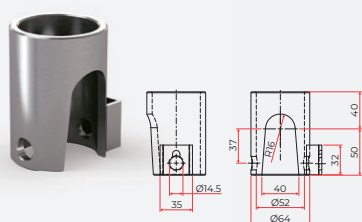
DESCRIPTION	WEIGHT
Ø50 BALL	1.660 Kg

11 93450016



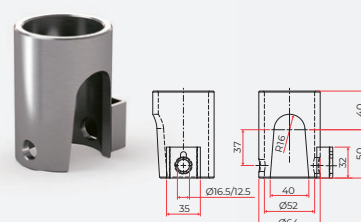
DESCRIPTION	WEIGHT
Ø50 BALL SUPPORT LEFT HAND (Ø14.5 HOLE)	0.630 Kg

11 93450017



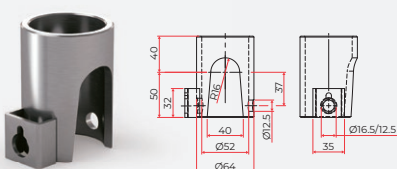
DESCRIPTION	WEIGHT
Ø50 BALL SUPPORT RIGHT HAND (Ø14.5 HOLE)	0.630 Kg

11 93450018



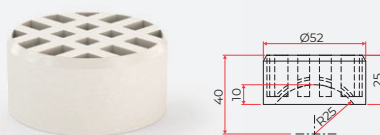
DESCRIPTION	WEIGHT
Ø50 BALL SUPPORT RIGHT HAND (Ø16.5-12.5 HOLE)	0.630 Kg

11 93450019



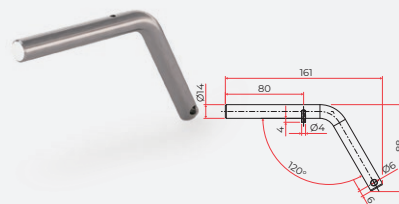
DESCRIPTION	WEIGHT
Ø50 BALL SUPPORT LEFT HAND (Ø16.5-12.5 HOLE)	0.630 Kg

11 17008043



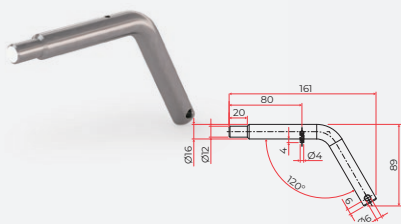
DESCRIPTION	WEIGHT
PVC CAP	0.052 Kg

11 17008041



DESCRIPTION	WEIGHT
Ø14 ZINC PLATED PIN	0.240 Kg

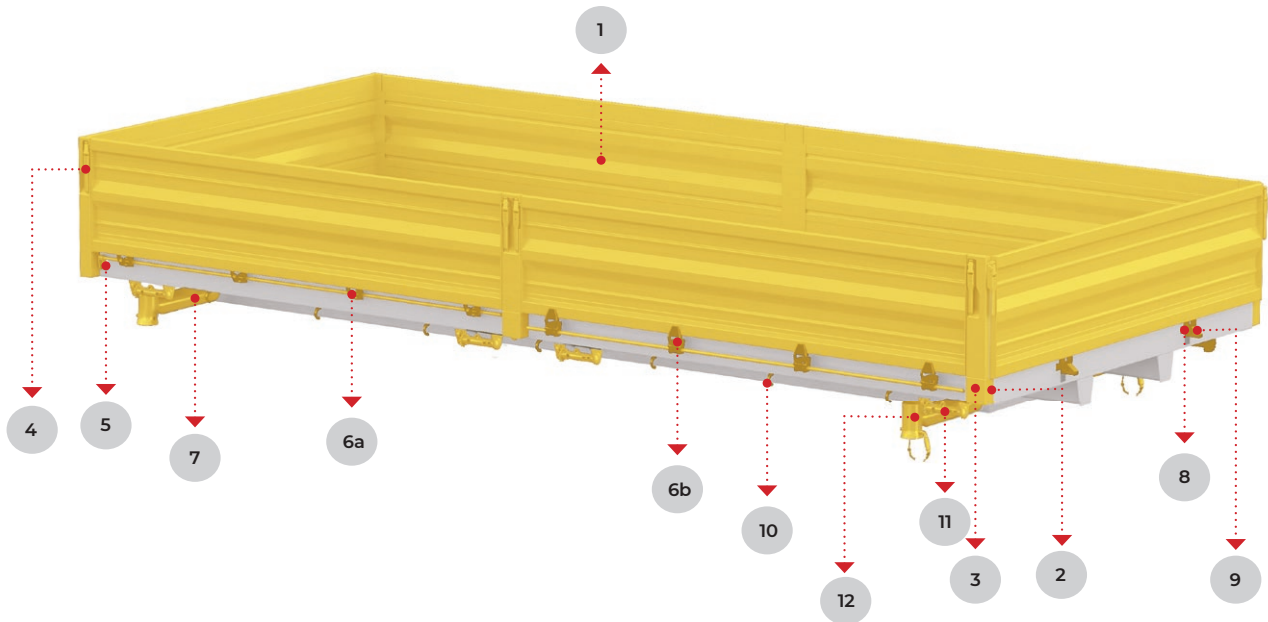
11 17008042



DESCRIPTION	WEIGHT
Ø16-12 ZINC PLATED PIN	0.300 Kg



MEDIUM-HEAVY WEIGHT TIPPER DOUBLE OPENING THREE-WAY TIPPER • “B” VERSION - STEEL - 18÷26 TON



POSITION NO.	PART NO.	DESCRIPTION	WEIGHT	QTY
1	93450031	STEEL SIDEBOARD PROFILE H=600	14.300 Kg/m	
2	93450032	MALE PART	3.500 Kg	
3	93450033	SOCKET	2.100 Kg	
4	93450034	M50 TIPPER LOCK	0.920 Kg	
	17008126	M50 LOCK PIN	0.270 Kg	
5	17008350	OVER-CENTER LOCK (Right)	1.950 Kg	
	17008355	OVER-CENTER LOCK (Left)	1.950 Kg	
6a	17008361	HINGE	0.250 Kg	
	17008363	HINGE SUPPORT	0.288 Kg	
	17008362	LOCKING PLATE	0.181 Kg	
6b	93450035	HINGE	0.568 Kg	
	93450036	HINGE SUPPORT	0.460 Kg	
	93450037	LOCKING HOOK	0.130 Kg	
7	93450038	“SERIES 3000” BEAM KIT	64.12 Kg	
8	17008276	AUTOMATIC TAILGATE RELEASE	3.900 Kg	
9	17008390	BRACKET FOR TAILGATE HOOK	0.240 Kg	
10	17008409	ROPE TIGHTENER	0.140 Kg	
11	93450039	PLATFORM SIDE BELT ROPE BINDER (Right version)	3.120 Kg	
	93450040	PLATFORM SIDE BELT ROPE BINDER (Left version)	3.120 Kg	
12	50308031	“SERIES 3000” Ø80 TYPE 1 BALL SUPPORT	3.510 Kg	x2
	50308031	“SERIES 3000” Ø80 TYPE 2 BALL SUPPORT	3.510 Kg	x2
	50308088	“SERIES 3000” CAP	0.135 Kg	x4
	50308090	TYPE 1 PIN	0.750 Kg	x1
	50308095	TYPE 2 PIN	0.750 Kg	x1

1	93450031
DESCRIPTION	WEIGHT
STEEL SIDEBOARD PROFILE H=600	14.300 Kg/m

2	93450032
DESCRIPTION	WEIGHT
MALE PART	3.500 Kg

3	93450033
DESCRIPTION	WEIGHT
SOCKET	2.100 Kg

4	93450034
DESCRIPTION	WEIGHT
M50 TIPPER LOCK	0.920 Kg

4	17008126
DESCRIPTION	WEIGHT
M50 LOCK PIN	0.270 Kg

5	17008350
DESCRIPTION	WEIGHT
OVER-CENTER LOCK (Right)	1.950 Kg

5	17008355
DESCRIPTION	WEIGHT
OVER-CENTER LOCK (Left)	1.950 Kg

6a	17008361
DESCRIPTION	WEIGHT
HINGE	0.250 Kg

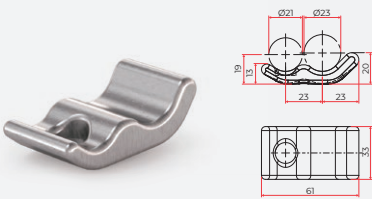
6a	17008363
DESCRIPTION	WEIGHT
HINGE SUPPORT	0.288 Kg

6a	17008362
DESCRIPTION	WEIGHT
LOCKING HOOK	0.181 Kg

6b	93450035
DESCRIPTION	WEIGHT
HINGE	0.568 Kg

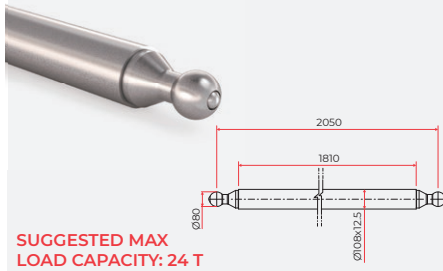
6b	93450036
DESCRIPTION	WEIGHT
HINGE SUPPORT	0.460 Kg

6b 93450037



DESCRIPTION	WEIGHT
LOCKING HOOK	0.130 Kg

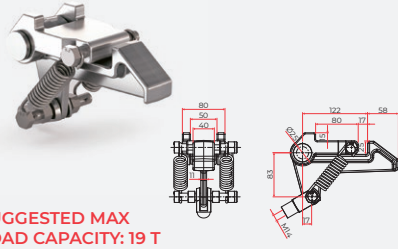
7 93450038



SUGGESTED MAX LOAD CAPACITY: 24 T

DESCRIPTION	WEIGHT
"SERIES 3000" BEAM KIT	64.12 Kg

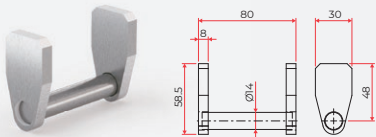
8 17008276



SUGGESTED MAX LOAD CAPACITY: 19 T

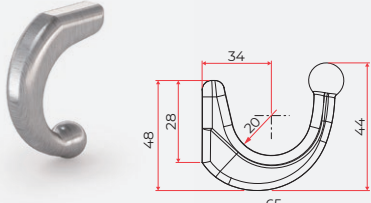
DESCRIPTION	WEIGHT
AUTOMATIC TAILGATE RELEASE	3.900 Kg

9 17008390



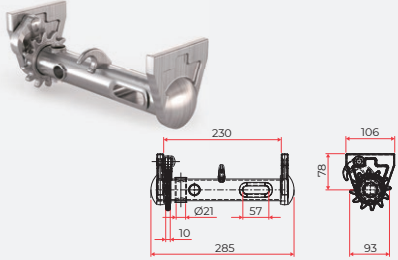
DESCRIPTION	WEIGHT
BRACKET FOR TAILGATE HOOK	0.240 Kg

10 17008409



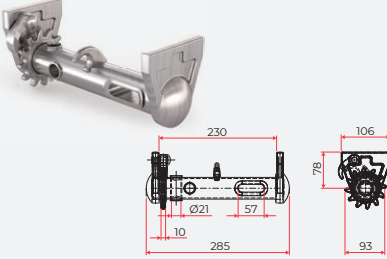
DESCRIPTION	WEIGHT
ROPE TIGHTENER	0.140 Kg

11 93450039



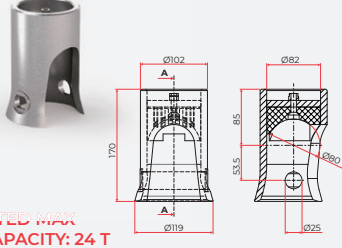
DESCRIPTION	WEIGHT
PLATFORM SIDE BELT ROPE BINDER (Right version)	3.120 Kg

11 93450040



DESCRIPTION	WEIGHT
PLATFORM SIDE BELT ROPE BINDER (Left version)	3.120 Kg

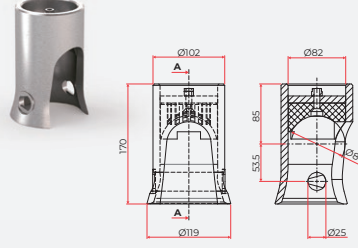
12 50308031



SUGGESTED MAX LOAD CAPACITY: 24 T

DESCRIPTION	WEIGHT
"SERIES 3000" Ø80 TYPE 1 BALL SUPPORT	3.510 Kg

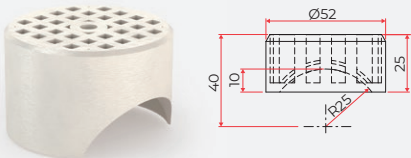
12 50308031



SUGGESTED MAX LOAD CAPACITY: 24 T

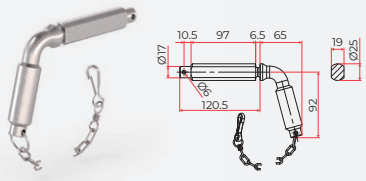
DESCRIPTION	WEIGHT
"SERIES 3000" Ø80 TYPE 2 BALL SUPPORT	3.510 Kg

12 50308088



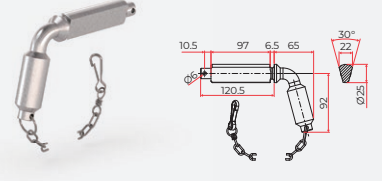
DESCRIPTION	WEIGHT
"SERIES 3000" CAP	0.135 Kg

12 50308090



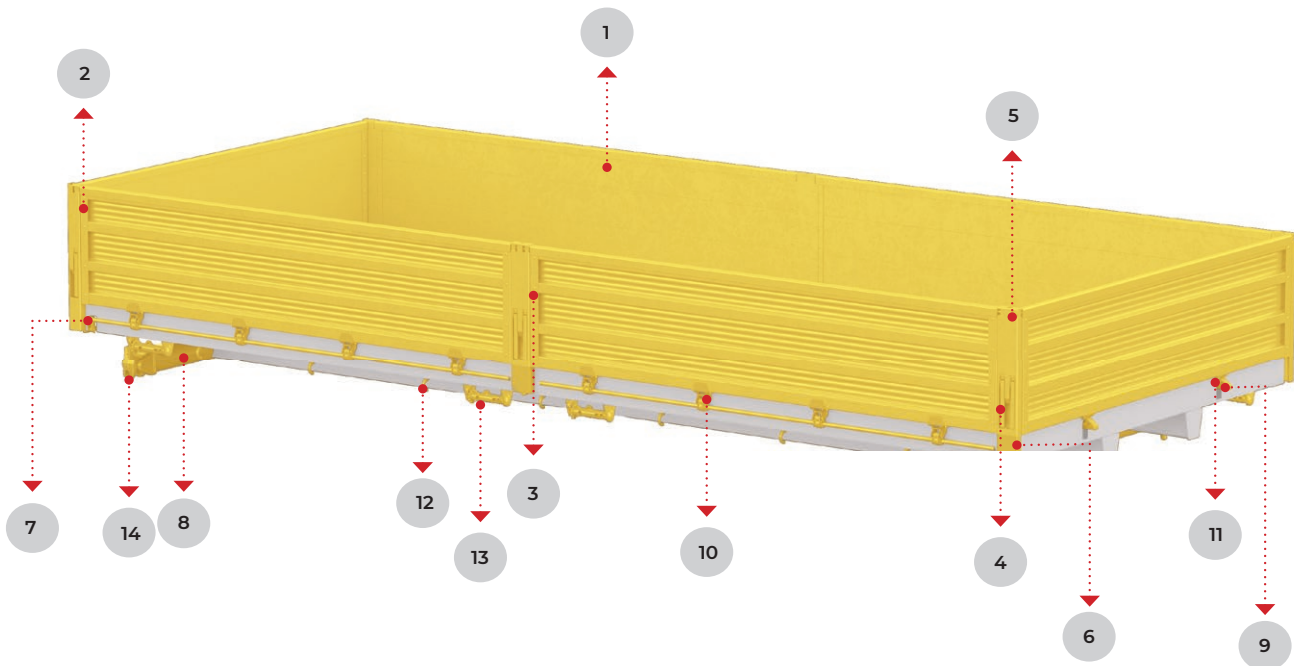
DESCRIPTION	WEIGHT
TYPE 1 PIN	0.750 Kg

12 50308095



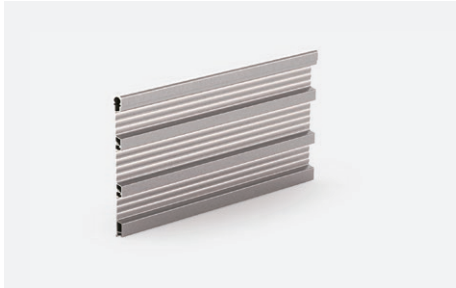
DESCRIPTION	WEIGHT
TYPE 2 PIN	0.750 Kg

MEDIUM-HEAVY WEIGHT TIPPER DOUBLE OPENING THREE-WAY TIPPER • "B" VERSION - STEEL - 18÷26 TON



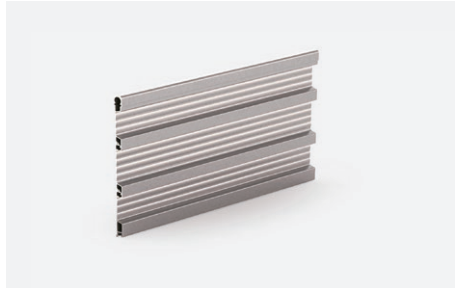
POSITION NO.	PART NO.	DESCRIPTION	WEIGHT
1	513084.00 INF	ALU SIDEBOARDS (30MM TR5 PROFILES) H=600	3.890 Kg/m
	513151.00 MED	ALU SIDEBOARDS (30MM TR5 PROFILES) H=600	3.440 Kg/m
	513157.00 SUP	ALU SIDEBOARDS (30MM TR5 PROFILES) H=600	4.850 Kg/m
2	93450062	"SPRING LOCK" FRONT PILLAR H=600 (Right)	5.900 Kg
	93450063	"SPRING LOCK" FRONT PILLAR H=600 (Left)	5.900 Kg
3	93450064	"SPRING LOCK" MIDDLE PILLAR H=600	12.920 Kg
4	93450065	"SPRING LOCK" REAR PILLAR H=600 (Right version)	11.400 Kg
	93450066	"SPRING LOCK" REAR PILLAR H=600 (Left version)	11.400 Kg
5	93450067	Zinc plated, SIDEBOARDS END-CAPS FOR TR5 PROFILES	1.730 Kg
6	93450033	SOCKET	2.100 Kg
7	17008350	OVER-CENTER LOCK (Right version)	1.950 Kg
	17008355	OVER-CENTER LOCK (Left version)	1.950 Kg
8	93450060	FRONT THREE-WAY TIPPING BEAM	99.10 Kg
	93450061	REAR THREE-WAY TIPPING BEAM	132.00 Kg
9	17008276	AUTOMATIC TAILGATE RELEASE	3.900 Kg
10	93450057	ZINC PLATED HINGE	0.432 Kg
	93450058	HINGE SUPPORT	0.216 Kg
	93450037	LOCKING PLATE	0.120 Kg
	93450059	ZINC PLATED PLATE	0.094 Kg
11	17008390	BRACKET FOR TAILGATE HOOK	0.240 Kg
12	17008409	ROPE TIGHTENER	0.140 Kg
13	93450039	PLATFORM SIDE BELT ROPE BINDER (Right)	3.120 Kg
	93450040	PLATFORM SIDE BELT ROPE BINDER (Right)	3.120 Kg
14	17008180	HEAVY DUTY FORK SUPPORT	5.700 Kg
	17008190	Ø32 PIN TYPE 1	1.380 Kg
	17008168	Ø32 PIN TYPE 2	1.380 Kg
	17008195	TYPE 1 WASHER	0.042 Kg
	17008167	TYPE 2 WASHER	0.042 Kg

1 513084.00 INF



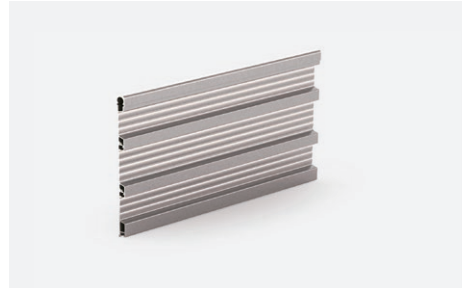
DESCRIPTION	WEIGHT
ALU SIDEBOARDS (30MM TR5 PROFILES) H=600	3.890 Kg/m

1 513151.00 MED



DESCRIPTION	WEIGHT
ALU SIDEBOARDS (30MM TR5 PROFILES) H=600	3.440 Kg/m

1 513157.00 SUP



DESCRIPTION	WEIGHT
ALU SIDEBOARDS (30MM TR5 PROFILES) H=600	4.850 Kg/m

2 93450062



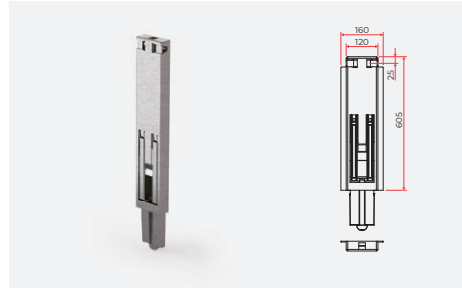
DESCRIPTION	WEIGHT
"SPRING LOCK" FRONT PILLAR H=600 (Right version)	5.900 Kg

2 93450063



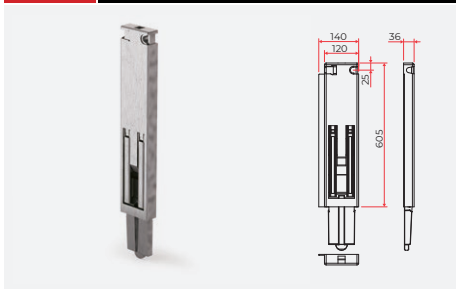
DESCRIPTION	WEIGHT
"SPRING LOCK" FRONT PILLAR H=600 (Right version)	5.900 Kg

3 93450064



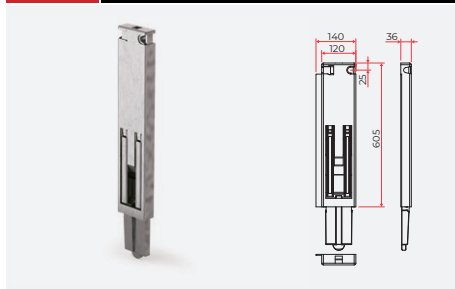
DESCRIPTION	WEIGHT
"SPRING LOCK" MIDDLE PILLAR H=600	12.920 Kg

4 93450065



DESCRIPTION	WEIGHT
"SPRING LOCK" REAR PILLAR H=600 (Right)	11.400 Kg

4 93450066



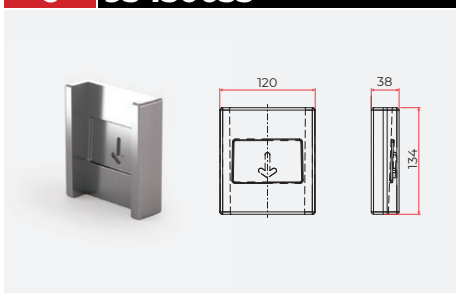
DESCRIPTION	WEIGHT
"SPRING LOCK" REAR PILLAR H=600 (Left)	11.400 Kg

5 93450067



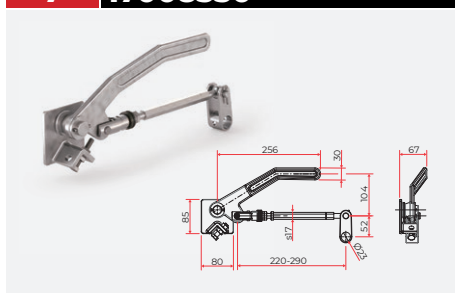
DESCRIPTION	WEIGHT
Zinc plated, SIDEBOARDS END-CAPS FOR TR5 PROFILES	1.730 Kg

6 93450033



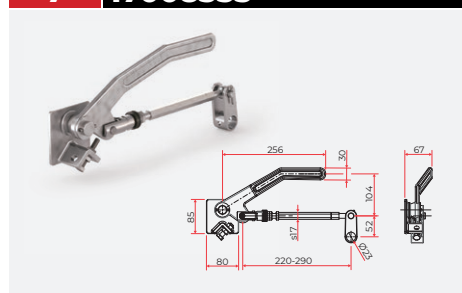
DESCRIPTION	WEIGHT
SOCKET	2.100 Kg

7 17008350



DESCRIPTION	WEIGHT
OVER-CENTER LOCK (Right version)	1.950 Kg

7 17008355



DESCRIPTION	WEIGHT
OVER-CENTER LOCK (Right version)	1.950 Kg

8 93450060

DESCRIPTION	WEIGHT
FRONT THREE-WAY TIPPING BEAM	99.10 Kg

8 93450061

DESCRIPTION	WEIGHT
REAR THREE-WAY TIPPING BEAM	132.00 Kg

9 17008276

DESCRIPTION	WEIGHT
AUTOMATIC TAILGATE RELEASE	3.900 Kg

10 93450035

DESCRIPTION	WEIGHT
ZINC PLATED HINGE	0.432 Kg

10 93450036

DESCRIPTION	WEIGHT
HINGE SUPPORT	0.216 Kg

10 93450037

DESCRIPTION	WEIGHT
LOCKING PLATE	0.120 Kg

10 93450059

DESCRIPTION	WEIGHT
ZINC PLATED PLATE	0.094 Kg

11 17008390

DESCRIPTION	WEIGHT
BRACKET FOR TAILGATE HOOK	0.240 Kg

12 17008409

DESCRIPTION	WEIGHT
ROPE TIGHTENER	0.140 Kg

13 93450039

DESCRIPTION	WEIGHT
PLATFORM SIDE BELT ROPEBINDER (Right)	3.120 Kg

13 93450040

DESCRIPTION	WEIGHT
PLATFORM SIDE BELT ROPEBINDER (Left)	3.120 Kg

14 17008180

DESCRIPTION	WEIGHT
HEAVY DUTY FORK SUPPORT	5.700 Kg

14 17008190



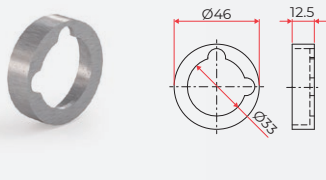
DESCRIPTION	WEIGHT
Ø32 PIN TYPE 1	1.380 Kg

14 17008168



DESCRIPTION	WEIGHT
Ø32 PIN TYPE 2	1.380 Kg

14 17008167



DESCRIPTION	WEIGHT
TYPE 2 WASHER	0.042 Kg

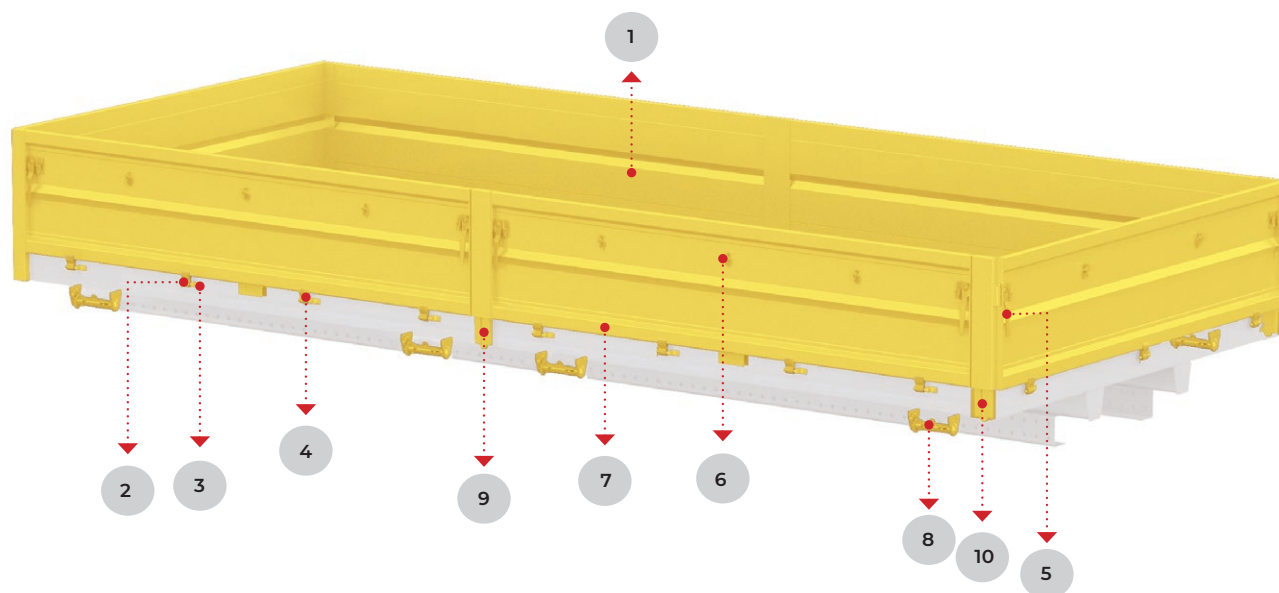
14 17008195



DESCRIPTION	WEIGHT
TYPE 1 WASHER	0.042 Kg



MEDIUM-HEAVY WEIGHT DROPSIDE BODY - STEEL - 18÷26 TON



POSITION NO.	PART NO.	DESCRIPTION	WEIGHT
1	93450041	SIDEBOARD PROFILE H=600	14.300 Kg/m
2	93450042	HINGE	0.435 Kg
3	93450043	PIN Ø15.5	0.242 Kg
4	93450044	PIN WITH HOLE Ø15.5	0.242 Kg
5	93450045	"E" SIDEBOARD CATCH (Right)	1.180 Kg
	93450046	"E" SIDEBOARD CATCH (Left)	1.180 Kg
6	93450047	ROPE TIGHTENER	0.084 Kg
7	93450048	CARGO RING BOX	1.350 Kg
8	93450039	PLATFORM SIDE BELT ROPE BINDER (Right)	3.120 Kg
	93450040	PLATFORM SIDE BELT ROPE BINDER (Left)	3.120 Kg
9	93450032	FORGED MALE PART	3.500 Kg
10	93450049	FORGED FEMALE PART	1.880 Kg

1 93450041

DESCRIPTION	WEIGHT
SIDEBOARD PROFILE H=600	14.300 Kg/m

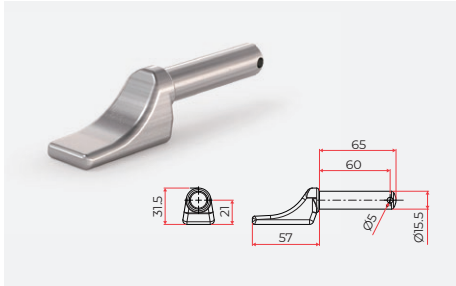
2 93450042

DESCRIPTION	WEIGHT
HINGE	0.435 Kg

3 93450043

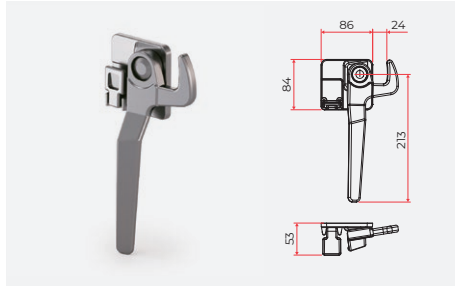
DESCRIPTION	WEIGHT
PIN Ø15.5	0.242 Kg

4 93450044



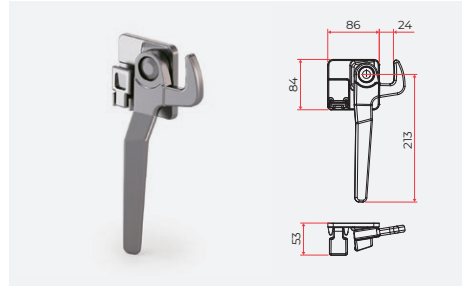
DESCRIPTION	WEIGHT
PIN WITH HOLE Ø15.5	0.242 Kg

5 93450045



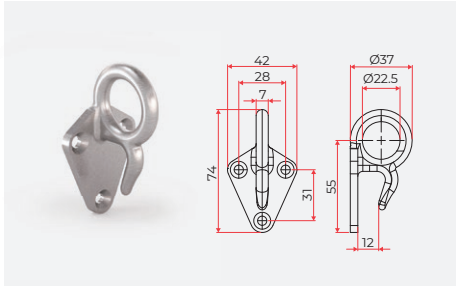
DESCRIPTION	WEIGHT
"E" SIDEBOARD CATCH (Right)	1.180 Kg

5 93450046



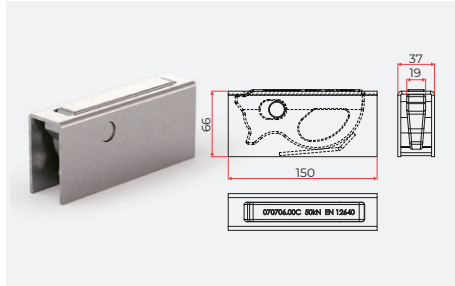
DESCRIPTION	WEIGHT
"E" SIDEBOARD CATCH (Left)	1.180 Kg

6 93450047



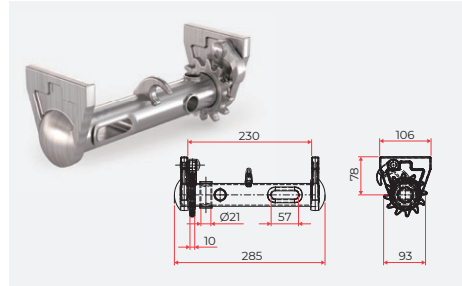
DESCRIPTION	WEIGHT
ROPE TIGHTENER	0.084 Kg

7 93450048



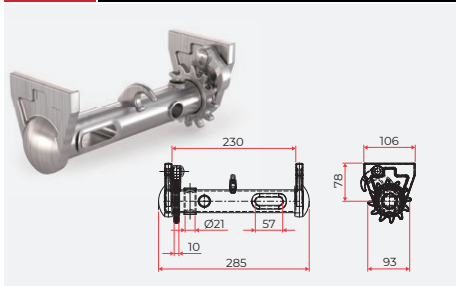
DESCRIPTION	WEIGHT
"CARGO RING BOX	1.350 Kg

8 93450039



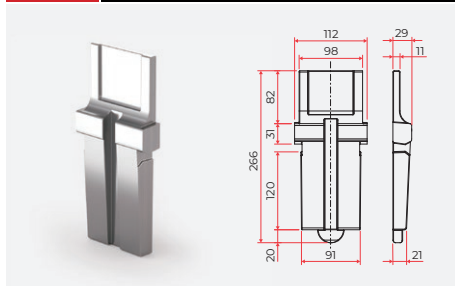
DESCRIPTION	WEIGHT
PLATFORM SIDE BELT ROPE BINDER (Right)	3.120 Kg

8 93450040



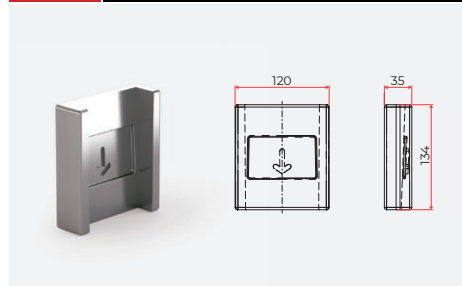
DESCRIPTION	WEIGHT
PLATFORM SIDE BELT ROPE BINDER (Left)	3.120 Kg

9 93450032



DESCRIPTION	WEIGHT
FORGED MALE PART	3.500 Kg

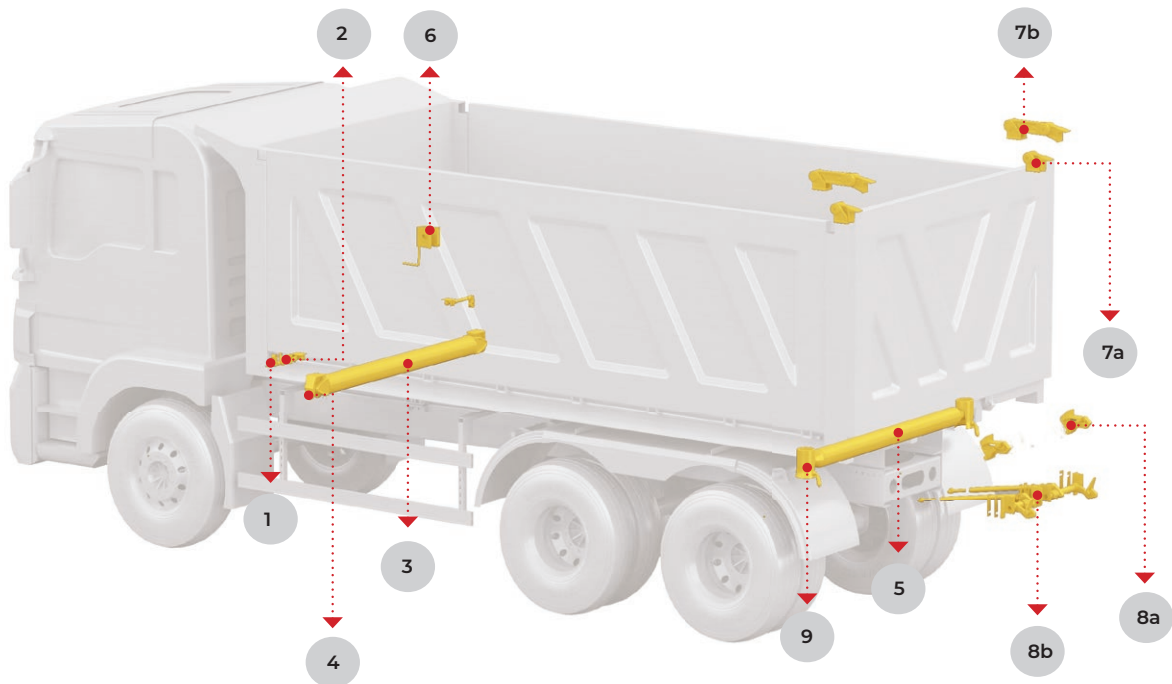
10 93450049



DESCRIPTION	WEIGHT
FORGED FEMALE PART	1.880 Kg

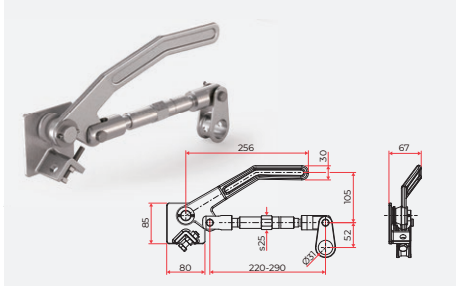


THREE-WAY TIPPER HEAVY WEIGHT - STEEL - 32 TON



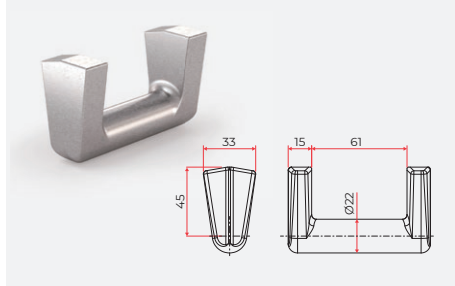
POSITION NO.	PART NO.	DESCRIPTION	WEIGHT	QTY
1	17008351, 17008352	OVER-CENTER LOCK W/HEAVY REGISTER Right /Left	2.500 Kg	
2	17008355	HINGE	0.456 Kg	
	17008368	SUPPORT	0.328 Kg	
	17008367	LOCKING PLATE	0.412 Kg	
3	93450051	FRONT THREE-WAY TIPPING BEAM	117.00 Kg	
4	93450053	HEAVY DUTY FORK SUPPORT TYPE 1	5.136 Kg	
	93450052	HEAVY DUTY FORK SUPPORT TYPE 2	5.054 Kg	
5	93450054	"SERIE 3000" BEAM KIT	96.00 Kg	
6	17008380	CE SPARE WHEEL WINCH	0.510 Kg	
	93450055	CE SWINCH LEVER	0.510 Kg	
7a	93450056	REAR DOOR HINGE	9.030 Kg	
7b	09207160	DOUBLE REAR DOOR HINGE	19.490 Kg	
8a	000720.00	AUTOMATIC TAILGATE RELEASE	5.200 Kg	
8b	000730.00	AUTOMATIC TAILGATE RELEASE	29.220 Kg	
9	030931.00	"SERIE 3000" TYPE 1 BALL SUPPORT Ø100	5.600 Kg	x2
	030932.00	"SERIE 3000" TYPE 2 BALL SUPPORT Ø100	5.600 Kg	x2
	030931.13	"SERIE 3000" CAP Assemble with screw	0.210 Kg	x4
	030933.00	TYPE 1 PIN	1.090 Kg	x1
	030934.00	TYPE 2 PIN	1.090 Kg	x1

1 17008351, 17008352



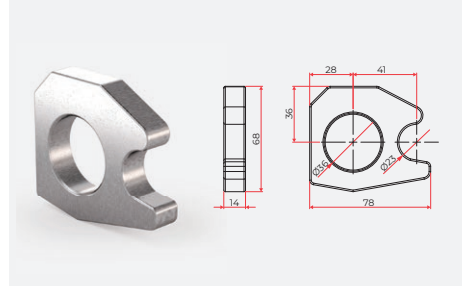
DESCRIPTION	WEIGHT
OVER-CENTER LOCK W/HEAVY REGISTER Right /Left	2.500 Kg

2 17008355



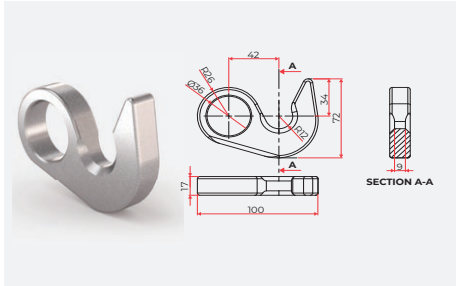
DESCRIPTION	WEIGHT
HINGE	0.456 Kg

2 17008368



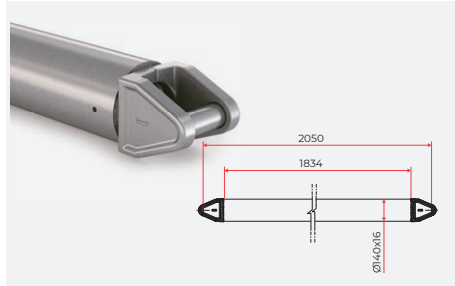
DESCRIPTION	WEIGHT
SUPPORT	0.328 Kg

2 17008367



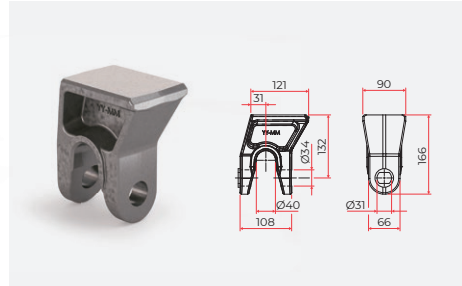
DESCRIPTION	WEIGHT
LOCKING PLATE	0.412 Kg

3 93450051



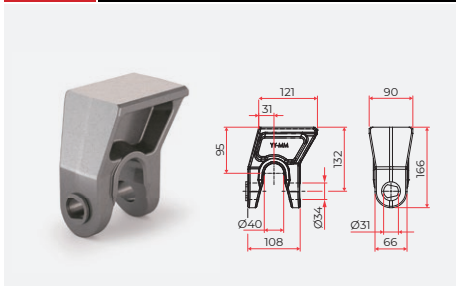
DESCRIPTION	WEIGHT
FRONT THREE-WAY TIPPING BEAM	117.00 Kg

4 93450053



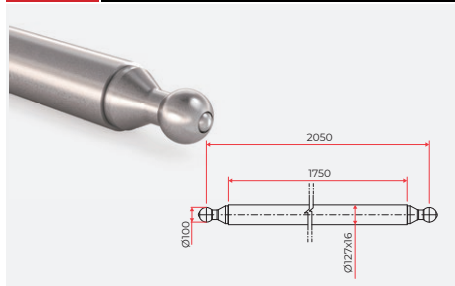
DESCRIPTION	WEIGHT
HEAVY DUTY FORK SUPPORT TYPE 1	5.136 Kg

4 93450052



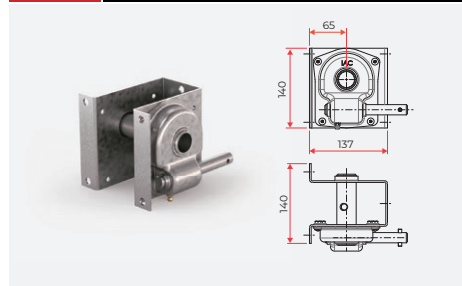
DESCRIPTION	WEIGHT
HEAVY DUTY FORK SUPPORT TYPE 2	5.054 Kg

5 93450054



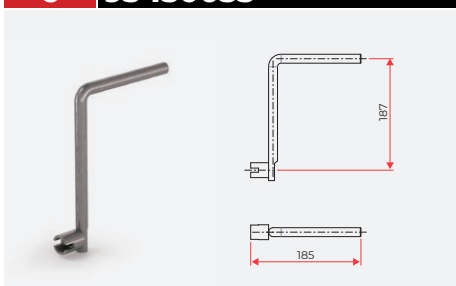
DESCRIPTION	WEIGHT
"SERIE 3000" BEAM KIT	96.00 Kg

6 17008380



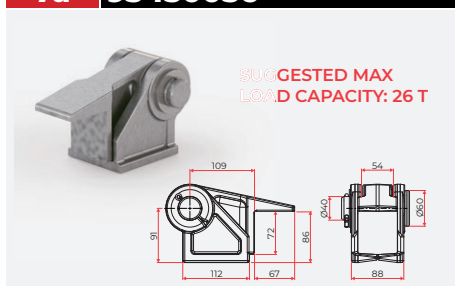
DESCRIPTION	WEIGHT
CE SPARE WHEEL WINCH	0.510 Kg

6 93450055



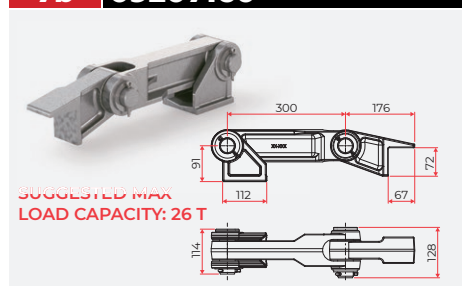
DESCRIPTION	WEIGHT
CE SWINCH LEVER	0.510 Kg

7a 93450056



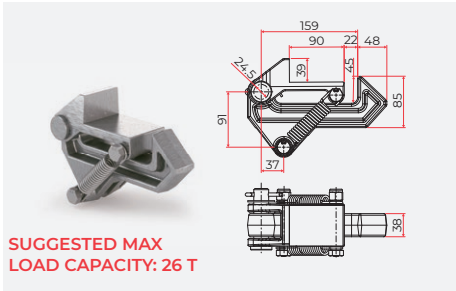
DESCRIPTION	WEIGHT
REAR DOOR HINGE	9.030 Kg

7b 09207160



DESCRIPTION	WEIGHT
DOUBLE REAR DOOR HINGE	19.490 Kg

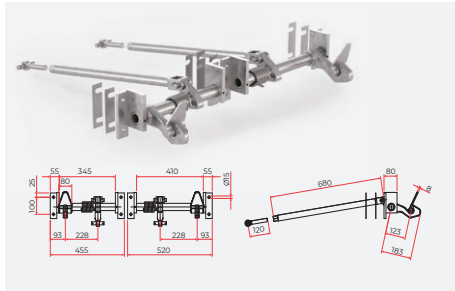
8a 17008133



SUGGESTED MAX LOAD CAPACITY: 26 T

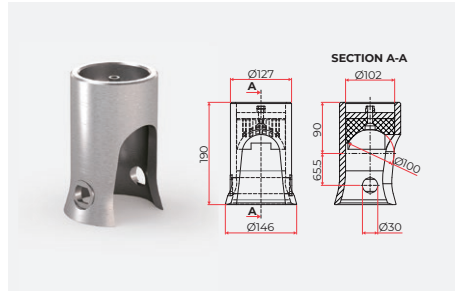
DESCRIPTION	WEIGHT
AUTOMATIC TAILGATE RELEASE	5.200 Kg

8b 000730.00



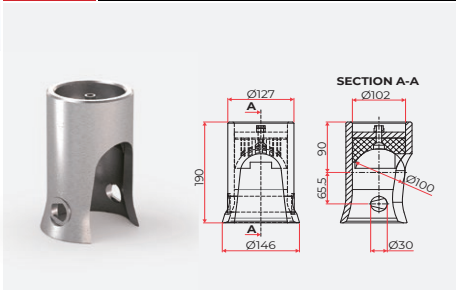
DESCRIPTION	WEIGHT
AUTOMATIC TAILGATE RELEASE	29.220 Kg

9 030931.00



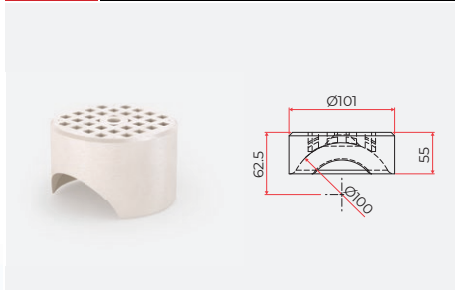
DESCRIPTION	WEIGHT
"SERIE 3000" TYPE 1 BALL SUPPORT Ø100	5.600 Kg

9 030932.00



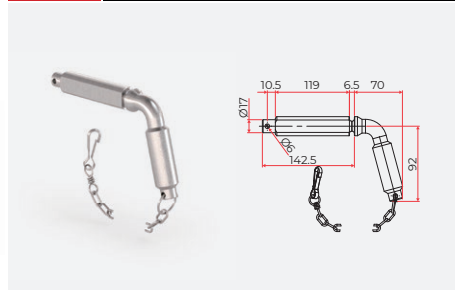
DESCRIPTION	WEIGHT
ZINC PLATED HINGE	0.432 Kg

9 030931.13



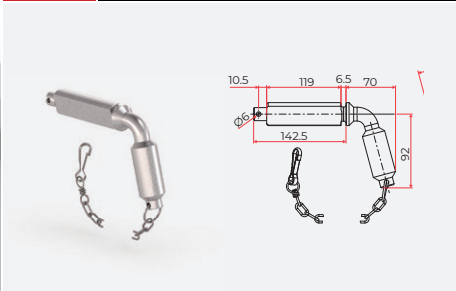
DESCRIPTION	WEIGHT
"SERIE 3000" CAP Assemble with screw	0.210 Kg

9 030933.00



DESCRIPTION	WEIGHT
TYPE 1 PIN	1.090 Kg

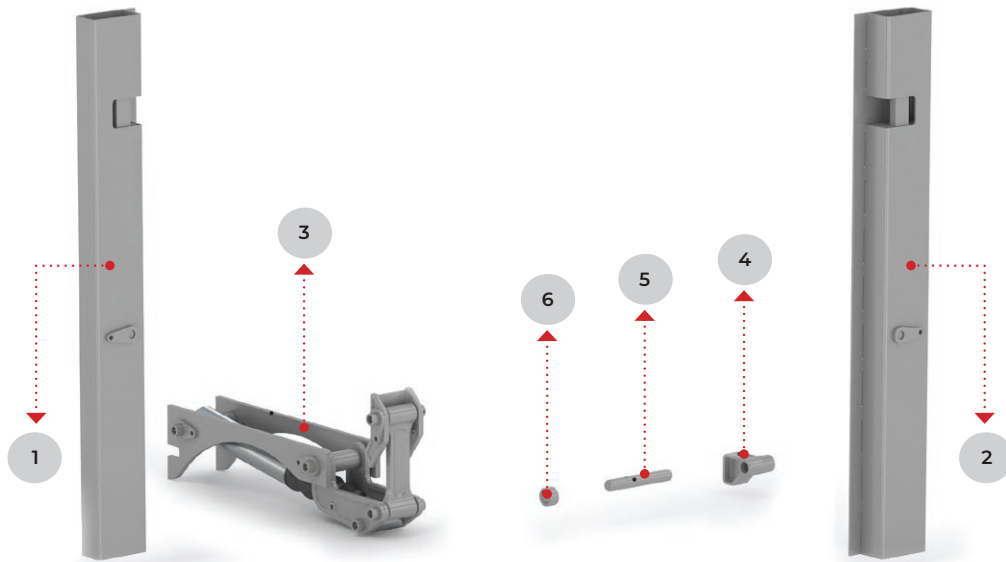
9 030934.00



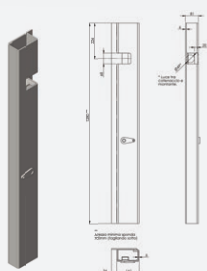
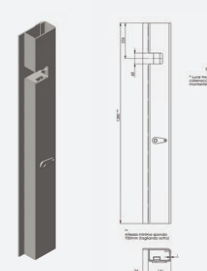
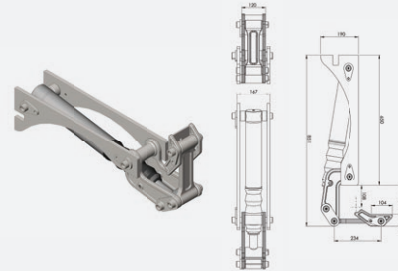
DESCRIPTION	WEIGHT
TYPE 2 PIN	1.090 Kg



HYDRAULIC SIDEPANEL KIT (CODE 00280.00)



POSITION NO.	PART NO.	DESCRIPTION	QTY
1	000295.00SXH	Front-Left / Rear-Right Pillar H=1280	1
2	000295.00HXP	Front-Right / Rear-Left Pillar H=1280	1
3	000296.00H	Hydraulic Hinge kit	2
4	000283.00	Support	5
5	000287.01	Ø30 Pin	8
6	000287.70	Bushing	2

1	000295.00SHX		
2	000295.00HXP		
3	000296.00H		
DESCRIPTION	QTY	DESCRIPTION	QTY
Front-Left / Rear-Right Pillar H=1280	1	Front-Right / Rear-Left Pillar H=1280	1
Hydraulic Hinge kit	2		

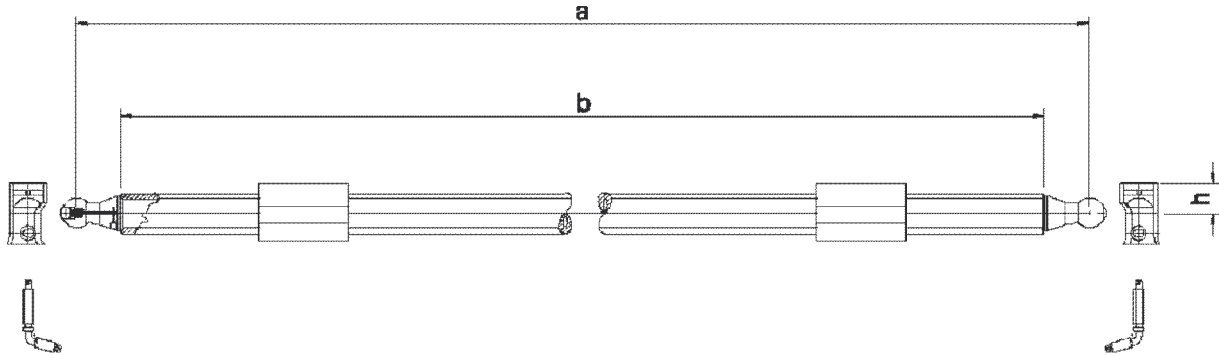


4	000283.00
DESCRIPTION	QTY
Support	5

5	000287.01
DESCRIPTION	QTY
Ø30 Pin	8

6	000287.70
DESCRIPTION	QTY
Bushing	2

THREE-WAY TIPPER BEAM SET









Three-way tipper beam kit (not welded)

Tone	Part No.	Dimensions (mm)					Kg.
		a**	b	∅	h	d	
12	031180.00	2050	1830	60	60	82 x 12,5	44,000
24	93450038	2050	1810	80	85	108 x 12,5	71,000
36	93450054	2050	1750	100	90	127 x 16	107,000

**Dimension are available in any other lengths, on demand

Spare parts

Part No.	Ball*	supp. type 1	supp. type 2	PVC cap	Lock. pin 1	Lock. pin 2	stabilizer
							
031180.00	030910.00	030911.00	030912.00	030911.13	030913.00	030914.00	/
93450038	030920.00	50308031	50308031	50308088	50308090	50308095	031100.00
93450054	030930.00	030931.00	030932.00	030931.13	030933.00	030934.00	030808.00

* Not welded, included in beam assembly

110 countries
+3,500 employees
20,000 customers
+30 subsidiaries
12 production facilities



Hyva is a leading provider of innovative and highly efficient transport solutions for commercial vehicles used in transport, construction, mining, materials handling and environmental service industries.

Founded in 1979 in the Netherlands, the company has a global presence with more than 30 wholly owned subsidiaries, extraordinary service coverage and 12 manufacturing facilities in Brazil, China, Europe and India.

For more information on Hyva, please visit www.hyva.com

or follow us on:



Hyva Holding B.V.
Antonie van Leeuwenhoekweg 37
2408 AK Alphen aan den Rijn
The Netherlands
Telephone: +31 (0)172 - 42 35 55
Telefax: +31 (0)172 - 42 08 80
info@hyva.com
www.hyva.com



ISO 9001 • ISO 14001

Quality and
environmental certified

DEALER STAMP