



**ATTACHMENTS FOR KENNIS
ROLLOADER CRANES**



Index

Product and specifications.....	4-8
ECO brick clamp ECO brick clamp accessories.....	10-11
SECO brick clamp SECO brick clamp accessories.....	12-13
SGK brick clamp SGK brick clamp accessories.....	14-15
SGKHP brick clamp SGKHP/SGKTR brick clamp accessories.....	16-17
SGKTR brick clamp SGKHP/SGKTR brick clamp accessories.....	18-19
EOHV brick clamp EOHV brick clamp accessories.....	20-21
CK brick clamp CK brick clamp accessories.....	22-23
DECO brick clamp DECO brick clamp accessories.....	24-25
PH pallet fork PH pallet fork accessories.....	26-28
Technical data.....	29



ECO	
Width adjustment	700-1100 mm 750-1200 mm 800-1300 mm
Cylinders	1
Bottom beam	Single



SECO	
Width adjustment	700-1050 mm 700-1100 mm 750-1200 mm 750-1220* mm 800-1300 mm
Cylinders	1
Bottom beam	Double

*EBEMA



SCK	
Width adjustment	700-1100 mm 750-1200 mm 800-1300 mm
Height adjustment	1100-1700 mm
Cylinders	1
Bottom beam	Double



SGKHP	
Width adjustment	700-1100 mm 750-1200 mm 800-1300 mm 900-1500 mm
Cylinders	1
Bottom beam	Double



SGKTR	
Width adjustment	700-1100 mm 800-1300 mm
Cylinders	1
Bottom beam	CK version



ECOHV	
Width adjustment	700-1100 mm 750-1200 mm 800-1300 mm
Cylinders	2
Bottom beam	Double



CK	
Width adjustment	700-1100 mm 800-1300 mm
Cylinders	2
Bottom beam	Double

ACCESSORIES

**PU clamping rubber**

The bottom beam and extensions can be provided with special PU rubber pads which do not leave black marks on the goods. PU rubber pads also have a higher friction coefficient, providing the clamp with more grip.

**Double clamping rubber**

The bottom beam and extensions can be provided with double rubber pads whereby an additional rubber pad is mounted under the standard clamping rubber. Double rubber pads are only available for brick clamps with a double bottom beam. Brick clamps with double rubber pads are 65 mm higher than the standard model.

**Steel clamping plates**

The bottom beam and extensions can be provided with steel clamping plates which make it easier to lift loads with dimensional variations by clamping the load at the bottom. Brick clamps with steel clamping plates are only available with a single bottom beam.

**Clamping extensions**

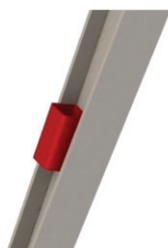
Extensions are available that can be mounted to the bottom beam to extend the length of the brick clamp. The extensions are available for both the single and double bottom beam versions in various lengths between 50 and 1000 mm. Clamping extensions with an extension socket are also available so that the clamping extension can be extended with another section.

**Plate mounting pegs**

These pegs are used to mount plates for lifting prefab paving segments and other accessories to the brick clamp.

**Plates for prefab paving segments**

Plates for prefab paving sections can be mounted on the special pegs which are available as an optional accessory. Plates for prefab paving sections are suitable for moving flat loads and are available for both single and double bottom beams and in both flush and grooved versions.

**Storage containers**

Storage containers can be attached to the brick clamp for storing the clamping extensions when not in use.



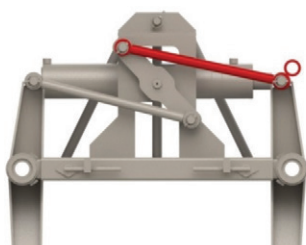
Floor slab clamps

Clamps are available for easier lifting of floor slabs and can be provided for both single and double bottom beams. Floor slab clamps can only be used in combination with the spreader rod for floor slabs or the parallel rod system.



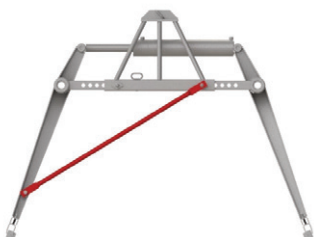
Floor slab hooks

Floor slab hooks are available in 2 heights suitable for lifting 1 or 2 floor slabs from underneath. Floor slab hooks are only available for brick clamps with a double bottom beam.



Parallel rod for floor slabs

An additional parallel rod can be installed on brick clamps for lifting floor slabs. The rod is attached as top parallel rod and prevents overloading the parallel rod system when lifting floor slabs with the brick clamp. The additional parallel rod for floor slabs is only available with brick clamps fitted with a parallel rod system. Preferably use in combination with floor slab clamps or hooks.



Spreader rod for floor slabs

A spreader rod can be installed on brick clamps for lifting floor slabs. The spreader rod is used to fix one of the clamping arms of the brick clamp in a suitably wide position and also ensures that both clamping arms hold firm when lifting floor slabs. Preferably use in combination with floor slab clamps or hooks.



Bigbag pegs

The brick clamp can be fitted with 4 bigbag pegs attached to the bottom beams for carrying a bigbag.



Road plate hooks

The brick clamp can be provided with road plate hooks for lifting and moving steel road plates. The road plate hooks are available in 3 and 4-point versions. The 3-point version is available for the SECO and the SGK. The 4-point version is available for the CK, DECO, SECO, DUO and SGK.



Barrier hooks

The brick clamp can be provided with barrier hooks for lifting and moving concrete and other barriers (only suitable for barriers provided with a suitable recess for the hooks). Barrier hooks are only available for brick clamps with a double bottom beam.



Reinforcement mesh hooks

The brick clamp can be provided with reinforcement mesh hooks for lifting and moving reinforcement mesh. The reinforcement mesh hooks are only available for brick clamps with a double bottom beam.



Turf stone accessories

The brick clamp can be provided with turf stone accessories for lifting and moving turf stone. The turf stone accessories can only be used in combination with brick clamps fitted with plate mounting pegs.



Rack for turf stone accessories

A rack is available for storing and mounting the turf stone accessories. The rack can be used to mount the accessories onto the brick clamp (the turf stone accessories cannot be mounted on the brick clamp manually because of their weight).



Pipe-lifting accessory

An accessory can be installed on brick clamps for lifting sewer pipes and chambers. The pipe-lifting accessory is available for brick clamps with single and double bottom beams and can only be used with brick clamps fitted with plate mounting pegs.



Sleeper accessory

The brick grip can be provided with a sleeper accessory for lifting and moving sleepers. The sleeper accessory is only available for brick clamps with a double bottom beam.



CW quick coupler

The brick clamp can be fitted with a CW quick coupler for quickly mounting the clamp to a machine that is compatible with the CW quick coupling system. The brick clamp can be attached to the CW quick coupler with a central coupling or attached under the CW quick coupler. The brick clamp can be modified to suit various versions of the quick coupler.



Rotator

A shaft rotator can be provided with the brick clamp that can be attached to a crane. This makes it possible to rotate the brick clamp around its vertical axle so that the load can be rotated a quarter turn.



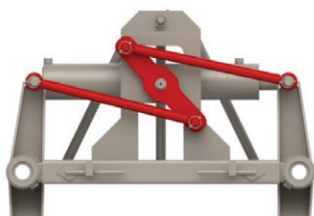
Shackle

A shackle can be provided with the brick clamp for attaching the brick clamp to the rotator.



Rotator socket

The brick clamp can be provided with a rotator socket for attaching the brick clamp directly to the rotator without using a shackle.



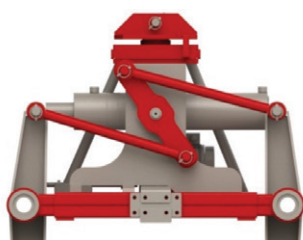
Parallel rod system

The brick clamp can be fitted with a parallel rod system that ensures that both clamp arms move symmetrically when the hydraulic cylinder is compressed or extended. The parallel rods also firmly hold the clamp arms in the maximum or minimum position and allow the brick clamp to be stored upright with the clamp arms in the vertical position.



Hydraulic locking pins

The brick clamp can be fitted with hydraulic locking pins for adjusting the width of the clamp arms from the driver's seat. Hydraulic locking pins are only available with brick clamps fitted with a parallel rod system.



Stepless adjuster

The brick clamp can be fitted with a stepless adjuster so that the clamp arms can be adjusted to any width between the minimum and maximum positions from the driver's seat. The stepless adjuster is only available with brick clamps fitted with the parallel rod system.

Pressure reducer and manometer

The brick clamp can be fitted with a pressure reducer and manometer for regulating the pressure in the hydraulic cylinder. This allows the pressure of the clamp arms to be modified to lift more fragile products. A hydraulic fluid limiter can also optionally be installed for machines with a high hydraulic fluid flow rate.

**HIGH-QUALITY KENNIS CRANE ATTACHMENTS AND ACCESSORIES
GUARANTEE MAXIMUM PERFORMANCE AND PRODUCTIVITY**

KENNIS ROLLOADER CRANE ATTACHMENTS

The successful Kennis crane has been improved with the addition of lightweight and unique attachments that ensure there is an optimal solution for every situation. The Kennis range of crane attachments is suited for a wide range of applications. By listening to our customer's specific requirements, we have evolved the Kennis range into a comprehensive and multifunctional collection of accessories to improve the efficiency and productivity of our customers.



**GREATER VERSATILITY | MAXIMUM PAYLOAD
HIGH PERFORMANCE | INCREASED PRODUCTIVITY**



CK BRICK CLAMP



ECOHV POWER
HEIGHT ADJUSTABLE
BRICK CLAMP



DECO TWIN
BRICK CLAMP



SGK POWER
BRICK CLAMP



PALLET FORK



SECO SCISSOR
BRICK CLAMP



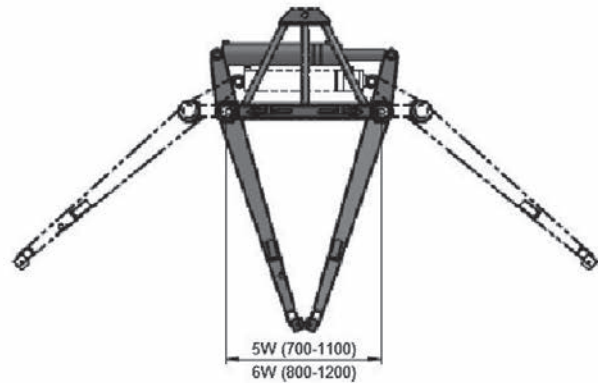
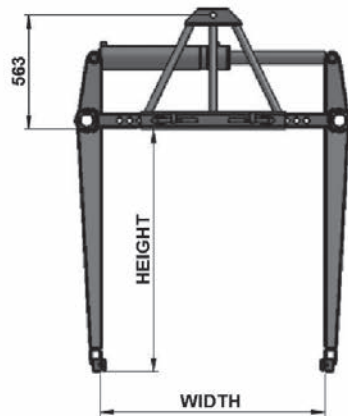
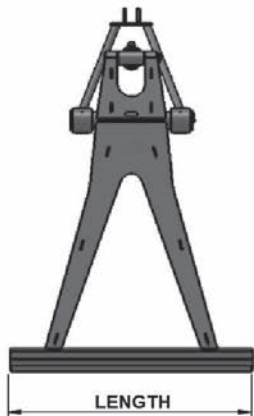
CONCRETE FLOOR CLAMP

ECO BRICK CLAMP

The Kennis ECO **lightweight** brick clamp is ideal for lifting palletized and non-palletized goods.

Capacity: 3,500 kg, Max. operating pressure: 200 bar.

- Load safety valve prevents uncontrolled opening of the clamp.
- 2 hydraulic hoses with 1/2" quick couplings.
- Lightweight construction thanks to the use of high-grade steels.
- Easily adjustable width using locking pins.
- Wide range of extensions and other accessories available.
- Can be stored upright.
- Can also be stored flat to reduce height.
- Cylinder: RAL5017, Clamp RAL9005



Model code	Hyva order number	Description	Width (mm)	Length (mm)	Height (mm)	Weight (Kg)	Parallel rod system (p)
ECO1001005	85999171	ECO L1000-H1000-5W-0	700 – 1100	1000	1000	270	no
ECO1201005	85999175	ECO L1200-H1000-5W-0	700 – 1100	1200	1000	285	no
ECO1301005	85999179	ECO L1300-H1000-5W-0	700 – 1100	1300	1000	290	no
ECO1001006	85999173	ECO L1000-H1000-6W-0	800 – 1300	1000	1000	280	no
ECO1201006	85999177	ECO L1200-H1000-6W-0	800 – 1300	1200	1000	290	no
ECO1301006	85999181	ECO L1300-H1000-6W-0	800 – 1300	1300	1000	295	no
ECO1001005P	85999172	ECO L1000-H1000-5W-P	700 – 1100	1000	1000	290	yes
ECO1201005P	85999176	ECO L1200-H1000-5W-P	700 – 1100	1200	1000	305	no
ECO1301005P	85999180	ECO L1300-H1000-5W-P	700 – 1100	1300	1000	310	yes
ECO1001006P	85999174	ECO L1000-H1000-6W-P	800 – 1300	1000	1000	300	yes
ECO1201006P	85999178	ECO L1200-H1000-6W-P	800 – 1300	1200	1000	315	yes
ECO1301006P	85999182	ECO L1300-H1000-6W-P	800 – 1300	1300	1000	320	yes
ECO1001155	85998110	ECO L1000-H1150-5W-0	700 – 1100	1000	1150	280	no
ECO1201155	85998210	ECO L1200-H1150-5W-0	700 – 1100	1200	1150	285	no
ECO1301155	85998310	ECO L1300-H1150-5W-0	700 – 1100	1300	1150	290	no
ECO1001156	85998150	ECO L1000-H1150-6W-0	800 – 1300	1000	1150	290	no
ECO1201156	85998250	ECO L1200-H1150-6W-0	800 – 1300	1200	1150	295	no
ECO1301156	85998350	ECO L1300-H1150-6W-0	800 – 1300	1300	1150	300	no
ECO1001155P	85998120	ECO L1000-H1150-5W-P	700 – 1100	1000	1150	300	yes
ECO1201155P	85998220	ECO L1200-H1150-5W-P	700 – 1100	1200	1150	305	yes
ECO1301155P	85998320	ECO L1300-H1150-5W-P	700 – 1100	1300	1150	310	yes
ECO1001156P	85998160	ECO L1000-H1150-6W-P	800 – 1300	1000	1150	300	yes
ECO1201156P	85998260	ECO L1200-H1150-6W-P	800 – 1300	1200	1150	315	yes
ECO1301156P	85998360	ECO L1300-H1150-6W-P	800 – 1300	1300	1150	320	yes

ECO BRICK CLAMP ACCESSORIES

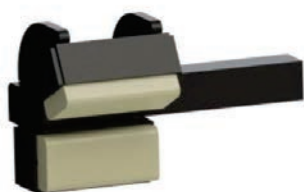
Model code	Hyva order number	Extensions
OS101000	85999282	Set of EV50 extensions with black clamping rubber
OS101030	85999283	Set of EV100 extensions with black clamping rubber
OS101070	85999284	Set of EV150 extensions with black clamping rubber
OS101100	85999285	Set of EV200 extensions with black clamping rubber
OS101120	85999286	Set of EV250 extensions with black clamping rubber



Model code	Hyva order number	Plates for prefab paving segments (incl. pegs)
OS100304	85999275	Set of standard plates L1000 mm
OS100309	85999276	Set of standard plates L1200 mm
OS100313	85999277	Set of standard plates L1300 mm
OS100325	85999278	Set of grooved plates L1000 mm
OS100327	85999279	Set of grooved plates L1200 mm
OS100329	85999280	Set of grooved plates L1300 mm



Model code	Hyva order number	Accessories
OS100200	85999265	Spreader rod for floor slabs (not for parallel rod system)
OS100201	85999266	Set of EV floor slab clamps
OS100150	85999264	Set of storage containers for extensions (max 2 sets)
OS100350	85999281	Bigbag pegs
OS100300	85999274	Plate mounting pegs
OS100270	85999273	Pressure reducer and manometer
OS100102	85999263	Neutral PU clamping rubber for brick clamp up to L1300 mm



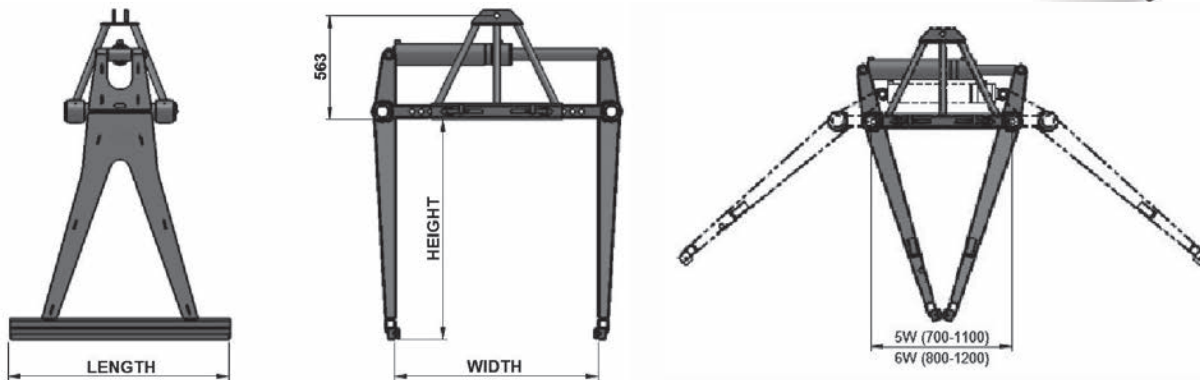
SECO BRICK CLAMP



The Kennis SECO **lightweight** brick clamp is ideal for lifting palletized and non-palletized goods.

Capacity: 4,500 kg, Max. operating pressure: 200 bar.

- Load safety valve prevents uncontrolled opening of the clamp.
- 2 hydraulic hoses with 1/2" quick couplings.
- Lightweight construction thanks to the use of high-grade steels.
- Easily adjustable width using locking pins.
- Wide range of extensions and other accessories available.
- Can be stored upright.
- Can also be stored flat to reduce height.
- Cylinder: RAL3002, Clamp RAL9005



Model code	Hyva order number	Description	Width (mm)	Length (mm)	Height (mm)	Weight (Kg)	Parallel rod system (p)
SECO1001005	85999183	ECO L1000-H1000-5W-0	700 – 1100	1000	1000	320	no
SECO1201005	85999184	ECO L1200-H1000-5W-0	700 – 1100	1200	1000	340	no
SECO1301005	85999185	ECO L1300-H1000-5W-0	700 – 1100	1300	1000	345	no
SECO1001006	85999186	ECO L1000-H1000-6W-0	800 – 1300	1000	1000	330	no
SECO1201006	85999187	ECO L1200-H1000-6W-0	800 – 1300	1200	1000	350	no
SECO1301006	85999188	ECO L1300-H1000-6W-0	800 – 1300	1300	1000	355	no
SECO1001005P	85999189	ECO L1000-H1000-5W-P	700 – 1100	1000	1000	340	yes
SECO1201005P	85999190	ECO L1200-H1000-5W-P	700 – 1100	1200	1000	360	yes
SECO1301005P	85999191	ECO L1300-H1000-5W-P	700 – 1100	1300	1000	365	yes
SECO1001006P	85999192	ECO L1000-H1000-6W-P	800 – 1300	1000	1000	350	yes
SECO1201006P	85999193	ECO L1200-H1000-6W-P	800 – 1300	1200	1000	370	yes
SECO1301006P	85999194	ECO L1300-H1000-6W-P	800 – 1300	1300	1000	380	yes
SECO1001155	85999195	ECO L1000-H1150-5W-0	700 – 1100	1000	1150	330	no
SECO1201155	85999196	ECO L1200-H1150-5W-0	700 – 1100	1200	1150	340	no
SECO1301155	85999197	ECO L1300-H1150-5W-0	700 – 1100	1300	1150	345	no
SECO1001156	85999198	ECO L1000-H1150-6W-0	800 – 1300	1000	1150	340	no
SECO1201156	85999199	ECO L1200-H1150-6W-0	800 – 1300	1200	1150	345	no
SECO1301156	85999200	ECO L1300-H1150-6W-0	800 – 1300	1300	1150	350	no
SECO1001155P	85999201	ECO L1000-H1150-5W-P	700 – 1100	1000	1150	350	yes
SECO1201155P	85999202	ECO L1200-H1150-5W-P	700 – 1100	1200	1150	360	yes
SECO1301155P	85999203	ECO L1300-H1150-5W-P	700 – 1100	1300	1150	365	yes
SECO1001156P	85999204	ECO L1000-H1150-6W-P	800 – 1300	1000	1150	360	yes
SECO1201156P	85999205	ECO L1200-H1150-6W-P	800 – 1300	1200	1150	370	yes
SECO1301156P	85999206	ECO L1300-H1150-6W-P	800 – 1300	1300	1150	375	yes

SECO BRICK CLAMP ACCESSORIES

Model code	Hyva order number	Extensions
OS101000	85999282	Set of EV50 extensions with black clamping rubber
OS101030	85999283	Set of EV100 extensions with black clamping rubber
OS101070	85999284	Set of EV150 extensions with black clamping rubber
OS101100	85999285	Set of EV200 extensions with black clamping rubber
OS101120	85999286	Set of EV250 extensions with black clamping rubber
OS101130	85999287	Set of EV300 extensions with black clamping rubber
OS102070	85999288	Set of DV250 extensions with black clamping rubber
OS102080	85999289	Set of DV300 extensions with black clamping rubber
OS102100	85999290	Set of DV350 extensions with black clamping rubber
OS102110	85999291	Set of DV400 extensions with black clamping rubber
OS102140	85999293	Set of DV500 extensions with black clamping rubber



Model code	Hyva order number	Plates for prefab paving segments (incl. pegs)
OS100304	85999275	Set of standard plates L1000 mm
OS100309	85999276	Set of standard plates L1200 mm
OS100313	85999277	Set of standard plates L1300 mm
OS100325	85999278	Set of grooved plates L1000 mm
OS100327	85999279	Set of grooved plates L1200 mm
OS100329	85999280	Set of grooved plates L1300 mm



Model code	Hyva order number	Extensions
OS100200	85999265	Spreader rod for floor slabs (not for parallel rod system)
OS100201	85999266	Set of EV floor slab clamps
OS100202	85999267	Set of DV floor slab clamps
OS100203	85999268	Set of DV floor slab clamps (200 mm high)
OS100150	85999264	Set of storage containers for extensions (max 2 sets)
OS100350	85999281	Bigbag pegs
OS100300	85999274	Plate mounting pegs
OS100270	85999273	Pressure reducer and manometer
OS100102	85999263	Neutral PU clamping rubber for brick clamp up to L1300 mm
OS100251	85999270	Set of DV road plate hooks (4 pc)
OS100250	85999269	Set of DV road plate hooks (3 pc, of which 1 in centre)
OS100255	85999272	Set of DV barrier hooks

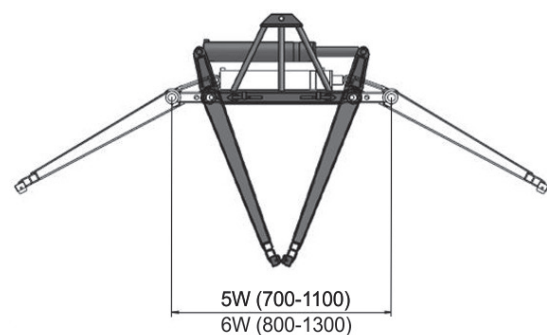
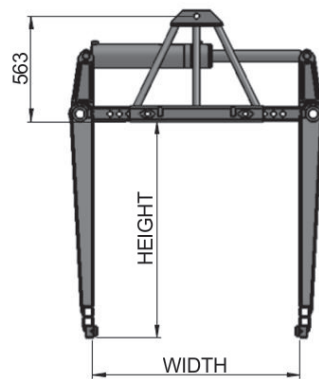
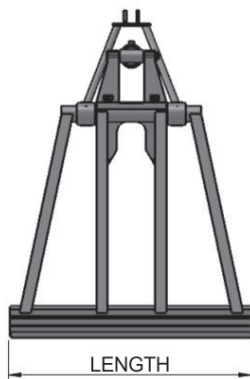


SGK BRICK CLAMP

The Kennis SGK brick clamp is ideal for lifting palletized and non-palletized goods.

Capacity: 4,500 kg, Max. operating pressure: 200 bar.

- Load safety valve prevents uncontrolled opening of the clamp.
- 2 hydraulic hoses with 1/2" quick couplings.
- Lightweight construction thanks to the use of high-grade steels.
- Easily adjustable width using locking pins.
- Wide range of extensions and other accessories available.
- Can be stored upright.
- Can also be stored flat to reduce height.
- Cylinder: RAL3002, Clamp RAL9005



Model code	Hyva order number	Description	Width (mm)	Length (mm)	Height (mm)	Weight (Kg)	Parallel rod system (p)
SGK1001005	85999207	ECO L1000-H1000-5W-0	700 – 1100	1000	1000	360	no
SGK1201005	85999212	ECO L1200-H1000-5W-0	700 – 1100	1200	1000	370	no
SGK1301005	85999216	ECO L1300-H1000-5W-0	700 – 1100	1300	1000	380	no
SGK1001006	85999209	ECO L1000-H1000-6W-0	800 – 1300	1000	1000	370	no
SGK1201006	85999214	ECO L1200-H1000-6W-0	800 – 1300	1200	1000	380	no
SGK1301006	85999218	ECO L1300-H1000-6W-0	800 – 1300	1300	1000	385	no
SGK1001005P	85999208	ECO L1000-H1000-5W-P	700 – 1100	1000	1000	380	yes
SGK1201005P	85999213	ECO L1200-H1000-5W-P	700 – 1100	1200	1000	390	yes
SGK1301005P	85999217	ECO L1300-H1000-5W-P	700 – 1100	1300	1000	395	yes
SGK1001006P	85999210	ECO L1000-H1000-6W-P	800 – 1300	1000	1000	390	yes
SGK1201006P	85999215	ECO L1200-H1000-6W-P	800 – 1300	1200	1000	405	yes
SGK1301006P	85999219	ECO L1300-H1000-6W-P	800 – 1300	1300	1000	410	yes
SGK1001155	85997300	ECO L1000-H1150-5W-0	700 – 1100	1000	1150	375	no
SGK1201155	85997400	ECO L1200-H1150-5W-0	700 – 1100	1200	1150	385	no
SGK1301155	85997500	ECO L1300-H1150-5W-0	700 – 1100	1300	1150	390	no
SGK1001156	85997340	ECO L1000-H1150-6W-0	800 – 1300	1000	1150	380	no
SGK1201156	85997440	ECO L1200-H1150-6W-0	800 – 1300	1200	1150	390	no
SGK1301156	85997540	ECO L1300-H1150-6W-0	800 – 1300	1300	1150	400	no
SGK1001155P	85997310	ECO L1000-H1150-5W-P	700 – 1100	1000	1150	390	yes
SGK1201155P	85997410	ECO L1200-H1150-5W-P	700 – 1100	1200	1150	405	yes
SGK1301155P	85997510	ECO L1300-H1150-5W-P	700 – 1100	1300	1150	410	yes
SGK1001156P	85997350	ECO L1000-H1150-6W-P	800 – 1300	1000	1150	400	yes
SGK1201156P	85997450	ECO L1200-H1150-6W-P	800 – 1300	1200	1150	415	yes
SGK1301156P	85997550	ECO L1300-H1150-6W-P	800 – 1300	1300	1150	420	yes
SGK1001157	85999211	SGK L1000-H1150-7W-0	900-1500	1000	1150	410	no

SGK BRICK CLAMP ACCESSORIES

Model code	Hyva order number	Extensions
OS101000	85999282	Set of EV50 extensions with black clamping rubber
OS101030	85999283	Set of EV100 extensions with black clamping rubber
OS101070	85999284	Set of EV150 extensions with black clamping rubber
OS101100	85999285	Set of EV200 extensions with black clamping rubber
OS101120	85999286	Set of EV250 extensions with black clamping rubber
OS101130	85999287	Set of EV300 extensions with black clamping rubber
OS102070	85999288	Set of DV250 extensions with black clamping rubber
OS102080	85999289	Set of DV300 extensions with black clamping rubber
OS102100	85999290	Set of DV350 extensions with black clamping rubber
OS102110	85999291	Set of DV400 extensions with black clamping rubber
OS102140	85999293	Set of DV500 extensions with black clamping rubber
OS105060	85999294	Set of DVK1000 extensions with extension socket



Model code	Hyva order number	Plates for prefab paving segments (incl. pegs)
OS100304	85999275	Set of standard plates L1000 mm
OS100309	85999276	Set of standard plates L1200 mm
OS100313	85999277	Set of standard plates L1300 mm
OS100325	85999278	Set of grooved plates L1000 mm
OS100327	85999279	Set of grooved plates L1200 mm
OS100329	85999280	Set of grooved plates L1300 mm



Model code	Hyva order number	Extensions
OS100200	85999265	Spreader rod for floor slabs (not for parallel rod system)
OS100201	85999266	Set of EV floor slab clamps
OS100202	85999267	Set of DV floor slab clamps
OS100203	85999268	Set of DV floor slab clamps (200 mm high)
OS100150	85999264	Set of storage containers for extensions (max 2 sets)
OS100350	85999281	Bigbag pegs
OS100300	85999274	Plate mounting pegs
OS100270	85999273	Pressure reducer and manometer
OS100102	85999263	Neutral PU clamping rubber for brick clamp up to L1300 mm
OS100251	85999270	Set of DV road plate hooks (4 pc)
OS100250	85999271	Set of DV road plate hooks (3 pc, of which 1 in centre)
OS100255	85999272	Set of DV barrier hooks

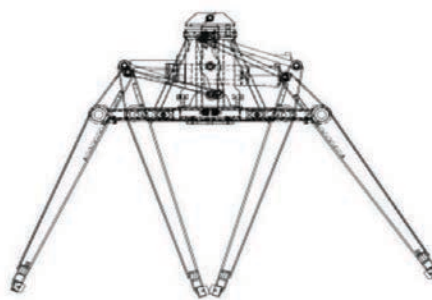
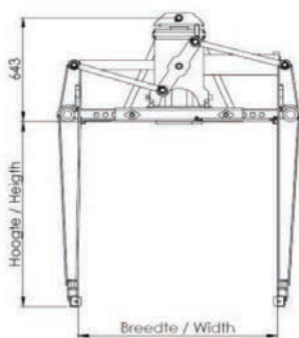
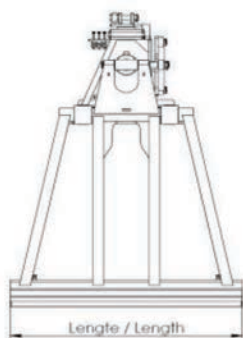


SGKHP BRICK CLAMP

The Kennis SGKHP brick clamp is ideal for lifting palletized and non-palletized goods.

Capacity: 4,500 kg.

- Double bottom beam with single black clamping rubber.
- Four tapered clamping legs.
- Hydraulic width adjustment from the driver's seat using hydraulically operated locking pins.
- Brick grip: RAL9005 (black).
- Cylinder: 110x60 mm RAL3002 (red).
- Double bottom beam with single black clamping rubber.



Model code	Hyva order number	Description	Width (mm)	Length (mm)	Height (mm)	Weight (Kg)	Parallel rod system (p)
SGKHP1001155P	85999220	ECO L1000-H1150-5W-P	700 – 1100	1000	1150	450	yes
SGKHP1201155P	85999221	ECO L1200-H1150-5W-P	700 – 1100	1200	1150	460	yes
SGKHP1301155P	85999222	ECO L1300-H1150-5W-P	700 – 1100	1300	1150	465	yes
SGKHP1001156P	85999223	ECO L1000-H1150-6W-P	800 – 1300	1000	1150	yes
SGKHP1201156P	85999224	ECO L1200-H1150-6W-P	800 – 1300	1200	1150	yes
SGKHP1301156P	85999225	ECO L1300-H1150-6W-P	800 – 1300	1300	1150	yes

SGKHP/SGKTR BRICK CLAMP ACCESSORIES

Model code	Hyva order number	Extensions
OS101000	85999282	Set of EV50 extensions with black clamping rubber
OS101030	85999283	Set of EV100 extensions with black clamping rubber
OS101070	85999284	Set of EV150 extensions with black clamping rubber
OS101100	85999285	Set of EV200 extensions with black clamping rubber
OS101120	85999286	Set of EV250 extensions with black clamping rubber
OS101130	85999287	Set of EV300 extensions with black clamping rubber
OS102070	85999288	Set of DV250 extensions with black clamping rubber
OS102080	85999289	Set of DV300 extensions with black clamping rubber
OS102100	85999290	Set of DV350 extensions with black clamping rubber
OS102110	85999291	Set of DV400 extensions with black clamping rubber
OS102140	85999293	Set of DV500 extensions with black clamping rubber
OS105060	85999294	Set of DVK1000 extensions with extension socket



Model code	Hyva order number	Plates for prefab paving segments (incl. pegs)
OS100304	85999275	Set of standard plates L1000 mm
OS100309	85999276	Set of standard plates L1200 mm
OS100313	85999277	Set of standard plates L1300 mm
OS100325	85999278	Set of grooved plates L1000 mm
OS100327	85999279	Set of grooved plates L1200 mm
OS100329	85999280	Set of grooved plates L1300 mm



Model code	Hyva order number	Extensions
OS100201	85999266	Set of EV floor slab clamps
OS100202	85999267	Set of DV floor slab clamps
OS100203	85999268	Set of DV floor slab clamps (200 mm high)
OS100150	85999264	Set of storage containers for extensions (max 2 sets)
OS100350	85999281	Bigbag pegs
OS100300	85999274	Plate mounting pegs
OS100270	85999273	Pressure reducer and manometer
OS100102	85999263	Neutral PU clamping rubber for brick clamp up to L1300 mm

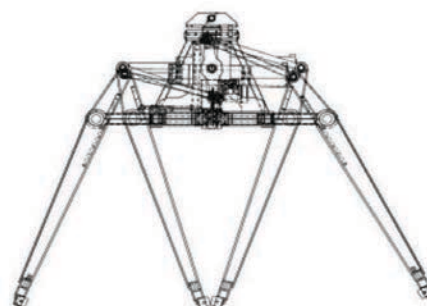
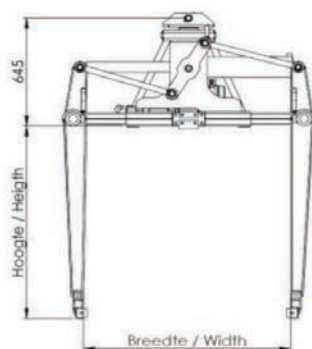
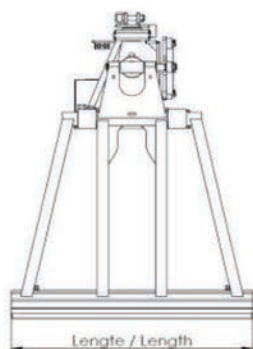


SGKTR BRICK CLAMP

The Kennis SGKTR brick clamp is ideal for lifting palletized and non-palletized goods.

Capacity: 4,500 kg.

- Four tapered clamping legs.
- Hydraulic stepless width adjustment from the driver's seat using screw spindles and hydromotor.
- Brick grip: RAL9005 (black).
- Cylinder: 110x60 mm RAL3002 (red).
- Double bottom beam with single black clamping rubber.



Model code	Hyva order number	Description	Width (mm)	Length (mm)	Height (mm)	Weight (Kg)	Parallel rod system (p)
SGKTR1001155P	85999229	ECO L1000-H1150-5W-P	700 – 1100	1000	1150	460	yes
SGKTR1201155P	85999227	ECO L1200-H1150-5W-P	700 – 1100	1200	1150	475	yes
SGKTR1301155P	85999228	ECO L1300-H1150-5W-P	700 – 1100	1300	1150	480	yes
SGKTR1001156P	85999229	ECO L1000-H1150-6W-P	800 – 1300	1000	1150	yes
SGKTR1201156P	85999230	ECO L1200-H1150-6W-P	800 – 1300	1200	1150	yes
SGKTR1301156P	85999231	ECO L1300-H1150-6W-P	800 – 1300	1300	1150	yes

SGKHP/SGKTR BRICK CLAMP ACCESSORIES

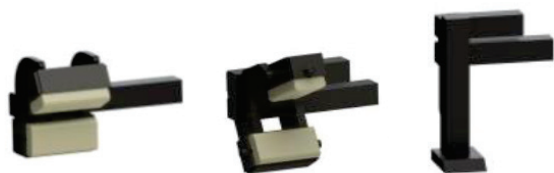
Model code	Hyva order number	Extensions
OS101000	85999282	Set of EV50 extensions with black clamping rubber
OS101030	85999283	Set of EV100 extensions with black clamping rubber
OS101070	85999284	Set of EV150 extensions with black clamping rubber
OS101100	85999285	Set of EV200 extensions with black clamping rubber
OS101120	85999286	Set of EV250 extensions with black clamping rubber
OS101130	85999287	Set of EV300 extensions with black clamping rubber
OS102070	85999288	Set of DV250 extensions with black clamping rubber
OS102080	85999289	Set of DV300 extensions with black clamping rubber
OS102100	85999290	Set of DV350 extensions with black clamping rubber
OS102110	85999291	Set of DV400 extensions with black clamping rubber
OS102140	85999293	Set of DV500 extensions with black clamping rubber
OS105060	85999294	Set of DVK1000 extensions with extension socket



Model code	Hyva order number	Plates for prefab paving segments (incl. pegs)
OS100304	85999275	Set of standard plates L1000 mm
OS100309	85999276	Set of standard plates L1200 mm
OS100313	85999277	Set of standard plates L1300 mm
OS100325	85999278	Set of grooved plates L1000 mm
OS100327	85999279	Set of grooved plates L1200 mm
OS100329	85999280	Set of grooved plates L1300 mm



Model code	Hyva order number	Extensions
OS100201	85999266	Set of EV floor slab clamps
OS100202	85999267	Set of DV floor slab clamps
OS100203	85999268	Set of DV floor slab clamps (200 mm high)
OS100150	85999264	Set of storage containers for extensions (max 2 sets)
OS100350	85999281	Bigbag pegs
OS100300	85999274	Plate mounting pegs
OS100270	85999273	Pressure reducer and manometer
OS100102	85999263	Neutral PU clamping rubber for brick clamp up to L1300 mm

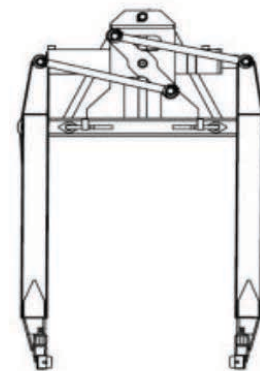
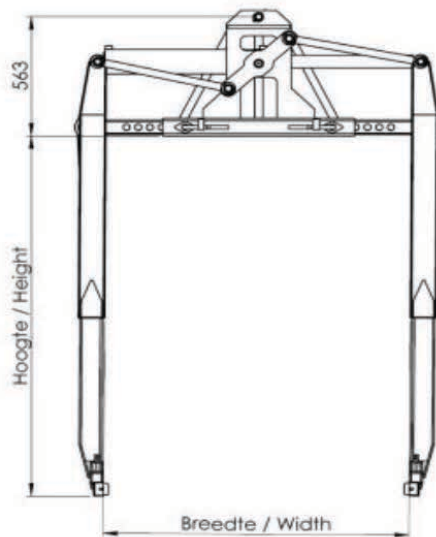
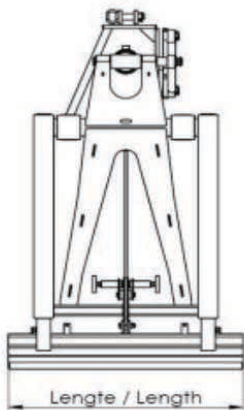


ECOHV BRICK CLAMP

The Kennis ECOHV brick clamp is ideal for lifting palletized and non-palletized goods.

Capacity: 2,500 kg.

- Two extendable clamping legs on each clamp arm.
- Double bottom beam with single black clamping rubber.
- Manual width adjustment.
- Brick grip: RAL9005 (black).
- Cylinder: 100x60 mm RAL5017 (blue).
- Double bottom beam with single black clamping rubber.



Model code	Hyva order number	Description	Width (mm)	Length (mm)	Height (mm)	Weight (Kg)	Parallel rod system (p)
ECOHV1001705	85999232	ECOHV L1000-H1100-1700-5W-0	700 – 1100	1000	1100-1700	450	no
ECOHV1201705	85999233	ECOHV L1200-H1100-1700-5W-0	700 – 1100	1200	1000-1700	470	no
ECOHV1001706	85997640	ECOHV L1000-H1100-1700-6W-0	800 – 1300	1000	1000-1700	460	no
ECOHV1201706	85997740	ECOHV L1200-H1100-1700-6W-0	800 – 1300	1200	1100-1700	480	no
ECOHV1001705P	85997610	ECOHV L1000-H1100-1700-5W-P	700 – 1100	1000	1100-1700	480	yes
ECOHV1201705P	85997710	ECOHV L1200-H1100-1700-5W-P	700 – 1100	1200	1100-1700	495	yes
ECOHV1001706P	85997650	ECOHV L1000-H1100-1700-6W-P	800-1300	1000	1100-1700	490	yes
ECOHV1201706P	85997750	ECOHV L1200-H1100-1700-6W-P	800-1300	1200	1100-1700	505	yes

ECOHV BRICK CLAMP ACCESSORIES

Model code	Hyva order number	Extensions
OS101000	85999282	Set of EV50 extensions with black clamping rubber
OS101030	85999283	Set of EV100 extensions with black clamping rubber
OS101070	85999284	Set of EV150 extensions with black clamping rubber
OS101100	85999285	Set of EV200 extensions with black clamping rubber
OS101120	85999286	Set of EV250 extensions with black clamping rubber
OS101130	85999287	Set of EV300 extensions with black clamping rubber
OS102070	85999288	Set of DV250 extensions with black clamping rubber
OS102080	85999289	Set of DV300 extensions with black clamping rubber
OS102100	85999290	Set of DV350 extensions with black clamping rubber
OS102110	85999291	Set of DV400 extensions with black clamping rubber
OS102140	85999293	Set of DV500 extensions with black clamping rubber
OS105060	85999294	Set of DVK1000 extensions with extension socket



Model code	Hyva order number	Plates for prefab paving segments (incl. pegs)
OS100304	85999275	Set of standard plates L1000 mm
OS100309	85999276	Set of standard plates L1200 mm
OS100313	85999277	Set of standard plates L1300 mm
OS100325	85999278	Set of grooved plates L1000 mm
OS100327	85999279	Set of grooved plates L1200 mm
OS100329	85999280	Set of grooved plates L1300 mm



Model code	Hyva order number	Extensions
OS100200	85999265	Spreader rod for floor slabs (not for parallel rod system)
OS100201	85999266	Set of EV floor slab clamps
OS100202	85999267	Set of DV floor slab clamps
OS100203	85999268	Set of DV floor slab clamps (200 mm high)
OS100150	85999264	Set of storage containers for extensions (max 2 sets)
OS100350	85999281	Bigbag pegs
OS100300	85999274	Plate mounting pegs
OS100270	85999273	Pressure reducer and manometer
OS100102	85999263	Neutral PU clamping rubber for brick clamp up to L1300 mm

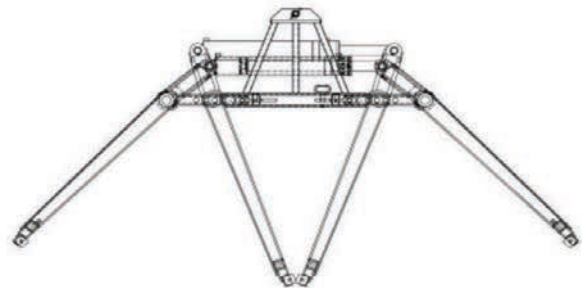
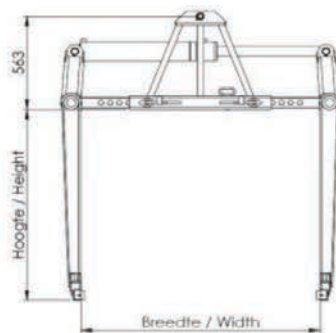
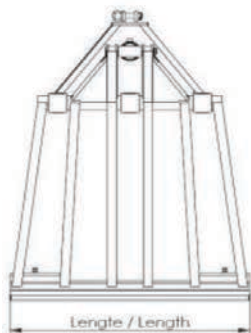


CK BRICK CLAMP

The Kennis CK brick clamp is ideal for lifting palletized and non-palletized goods.

Capacity: 3,500 kg.

- Six sleek tapered clamping legs.
- Manual width adjustment.
- Brick grip: RAL9005 (black).
- Cylinder: 100x60 mm RAL5017 (blue).
- Single bottom beam with additional extension socket and single black clamping rubber.



Model code	Hyva order number	Description	Width (mm)	Length (mm)	Height (mm)	Weight (Kg)	Parallel rod system (p)
CK1001005	85999234	ECO L1000-H1000-5W-0	700 – 1100	1000	1000	415	no
CK1201005	85999238	ECO L1200-H1000-5W-0	700 – 1100	1200	1000	425	no
CK1301005	85999241	ECO L1300-H1000-5W-0	700 – 1100	1300	1000	430	no
CK1001006	85999236	ECO L1000-H1000-6W-0	800 – 1300	1000	1000	425	no
CK1201006	85999239	ECO L1200-H1000-6W-0	800 – 1300	1200	1000	440	no
CK1301006	85999243	ECO L1300-H1000-6W-0	800 – 1300	1300	1000	445	no
CK1001005P	85999235	ECO L1000-H1000-5W-P	700 – 1100	1000	1000	440	yes
CK1201005P	85999295	ECO L1200-H1000-5W-P	700 – 1100	1200	1000	450	yes
CK1301005P	85999242	ECO L1300-H1000-5W-P	700 – 1100	1300	1000	455	yes
CK1001006P	85999237	ECO L1000-H1000-6W-P	800 – 1300	1000	1000	455	yes
CK1201006P	85999240	ECO L1200-H1000-6W-P	800 – 1300	1200	1000	465	yes
CK1301006P	85999244	ECO L1300-H1000-6W-P	800 – 1300	1300	1000	470	yes
CK1001155	85997000	ECO L1000-H1150-5W-0	700 – 1100	1000	1150	435	no
CK1201155	85997100	ECO L1200-H1150-5W-0	700 – 1100	1200	1150	445	no
CK1301155	85997200	ECO L1300-H1150-5W-0	700 – 1100	1300	1150	450	no
CK1001156	85997040	ECO L1000-H1150-6W-0	800 – 1300	1000	1150	445	no
CK1201156	85997140	ECO L1200-H1150-6W-0	800 – 1300	1200	1150	455	no
CK1301156	85997240	ECO L1300-H1150-6W-0	800 – 1300	1300	1150	460	no
CK1001155P	85997010	ECO L1000-H1150-5W-P	700 – 1100	1000	1150	460	yes
CK1201155P	85997110	ECO L1200-H1150-5W-P	700 – 1100	1200	1150	470	yes
CK1301155P	85997210	ECO L1300-H1150-5W-P	700 – 1100	1300	1150	475	yes
CK1001156P	85997050	ECO L1000-H1150-6W-P	800 – 1300	1000	1150	470	yes
CK1201156P	85997150	ECO L1200-H1150-6W-P	800 – 1300	1200	1150	480	yes
CK1301156P	85997250	ECO L1300-H1150-6W-P	800 – 1300	1300	1150	485	yes

CK BRICK CLAMP ACCESSORIES

Model code	Hyva order number	Extensions
OS101000	85999282	Set of EV50 extensions with black clamping rubber
OS101030	85999283	Set of EV100 extensions with black clamping rubber
OS101070	85999284	Set of EV150 extensions with black clamping rubber
OS101100	85999285	Set of EV200 extensions with black clamping rubber
OS101120	85999286	Set of EV250 extensions with black clamping rubber
OS101130	85999287	Set of EV300 extensions with black clamping rubber
OS102070	85999288	Set of DV250 extensions with black clamping rubber
OS102080	85999289	Set of DV300 extensions with black clamping rubber
OS102100	85999290	Set of DV350 extensions with black clamping rubber
OS102110	85999291	Set of DV400 extensions with black clamping rubber
OS102140	85999293	Set of DV500 extensions with black clamping rubber
OS105060	85999294	Set of DVK1000 extensions with extension socket



Model code	Hyva order number	Plates for prefab paving segments (incl. pegs)
OS100304	85999275	Set of standard plates L1000 mm
OS100309	85999276	Set of standard plates L1200 mm
OS100313	85999277	Set of standard plates L1300 mm
OS100325	85999278	Set of grooved plates L1000 mm
OS100327	85999279	Set of grooved plates L1200 mm
OS100329	85999280	Set of grooved plates L1300 mm



Model code	Hyva order number	Extensions
OS100200	85999265	Spreader rod for floor slabs (not for parallel rod system)
OS100201	85999266	Set of EV floor slab clamps
OS100202	85999267	Set of DV floor slab clamps
OS100203	85999268	Set of DV floor slab clamps (200 mm high)
OS100150	85999264	Set of storage containers for extensions (max 2 sets)
OS100350	85999281	Bigbag pegs
OS100300	85999274	Plate mounting pegs
OS100270	85999273	Pressure reducer and manometer
OS100102	85999263	Neutral PU clamping rubber for brick clamp up to L1300 mm
OS100251	85999270	Set of DV road plate hooks (4 pc)
OS100255	85999272	Set of DV barrier hooks



DECO BRICK CLAMP

The Kennis DECO brick clamp is ideal for lifting palletized and non-palletized goods.

Capacity: 5,500 kg.

- Four lightweight tapered clamping legs.
- Manual width adjustment.
- Brick grip: RAL9005 (black).
- Cylinders: 100x60 mm RAL3002 (red).
- Double bottom beam with single black clamping rubber.



Model code	Hyva order number	Description	Width (mm)	Length (mm)	Height (mm)	Weight (Kg)	Parallel rod system (p)
DECO1001155	85997800	ECO L1000-H1150-5W-0	700 – 1100	1000	1150	475	no
DECO1201155	85997900	ECO L1200-H1150-5W-0	700 – 1100	1200	1150	485	no
DECO1301155	85998000	ECO L1300-H1150-5W-0	700 – 1100	1300	1150	490	no
DECO1001156	85997840	ECO L1000-H1150-6W-0	800 – 1300	1000	1150	490	no
DECO1201156	85997940	ECO L1200-H1150-6W-0	800 – 1300	1200	1150	500	no
DECO1301156	85998040	ECO L1300-H1150-6W-0	800 – 1300	1300	1150	505	no
DECO1001155P	85997810	ECO L1000-H1150-5W-P	700 – 1100	1000	1150	495	yes
DECO1201155P	85997910	ECO L1200-H1150-5W-P	700 – 1100	1200	1150	505	yes
DECO1301155P	85998010	ECO L1300-H1150-5W-P	700 – 1100	1300	1150	515	yes
DECO1001156P	85997850	ECO L1000-H1150-6W-P	800 – 1300	1000	1150	515	yes
DECO1201156P	85997950	ECO L1200-H1150-6W-P	800 – 1300	1200	1150	525	yes
DECO1301156P	85998050	ECO L1300-H1150-6W-P	800 – 1300	1300	1150	535	yes

DECO BRICK CLAMP ACCESSORIES

Model code	Hyva order number	Extensions
OS101000	85999282	Set of EV50 extensions with black clamping rubber
OS101030	85999283	Set of EV100 extensions with black clamping rubber
OS101070	85999284	Set of EV150 extensions with black clamping rubber
OS101100	85999285	Set of EV200 extensions with black clamping rubber
OS101120	85999286	Set of EV250 extensions with black clamping rubber
OS101130	85999287	Set of EV300 extensions with black clamping rubber
OS102070	85999288	Set of DV250 extensions with black clamping rubber
OS102080	85999289	Set of DV300 extensions with black clamping rubber
OS102100	85999290	Set of DV350 extensions with black clamping rubber
OS102110	85999291	Set of DV400 extensions with black clamping rubber
OS102140	85999293	Set of DV500 extensions with black clamping rubber
OS105060	85999294	Set of DVK1000 extensions with extension socket



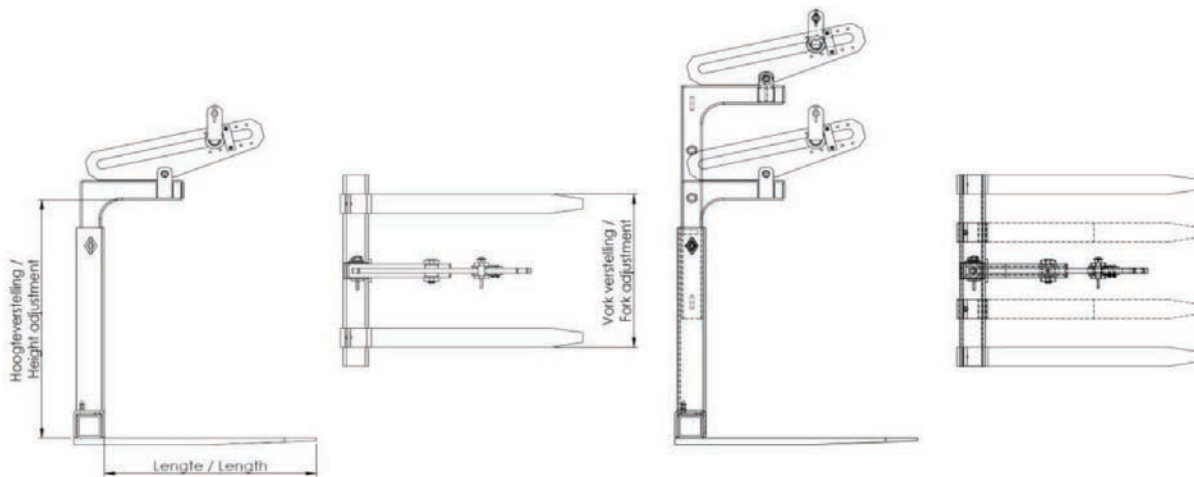
Model code	Hyva order number	Plates for prefab paving segments (incl. pegs)
OS100304	85999275	Set of standard plates L1000 mm
OS100309	85999276	Set of standard plates L1200 mm
OS100313	85999277	Set of standard plates L1300 mm
OS100325	85999278	Set of grooved plates L1000 mm
OS100327	85999279	Set of grooved plates L1200 mm
OS100329	85999280	Set of grooved plates L1300 mm



Model code	Hyva order number	Extensions
OS100200	85999265	Spreader rod for floor slabs (not for parallel rod system)
OS100201	85999266	Set of EV floor slab clamps
OS100202	85999268	Set of DV floor slab clamps
OS100203	85999268	Set of DV floor slab clamps (200 mm high)
OS100150	85999264	Set of storage containers for extensions (max 2 sets)
OS100350	85999281	Bigbag pegs
OS100300	85999274	Plate mounting pegs
OS100270	85999273	Pressure reducer and manometer
OS100102	85999263	Neutral PU clamping rubber for brick clamp up to L1300 mm
OS100251	85999270	Set of DV road plate hooks (4 pc)
OS100255	85999272	Set of DV barrier hooks



PH PALLET FORK



Model:

K = clamping bracket, R = adjustable beam, S = standard balance point, SO = standard, incl. storage containers, V = wings
DK = rotatable head, DKV = DK + V

Max. tine width: 1000 mm (measured from the outside of the tines)

Tine height adjustment: 1250 - 1500 - 1750 mm.

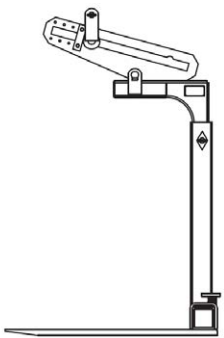
Bottom beam length: 1000 mm.

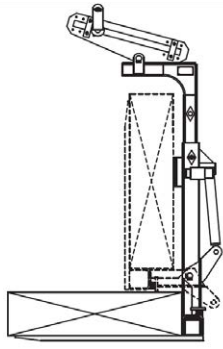
Model code	Hyva order number	Fork dimensions (mm)	Capacity kg @ 500 mm	Weight (Kg)
PH25K	85999245	100x35x1000 mm	2500	200
PH25R	85999246	100x35x1000 mm	2500	205
PH25S	85991200	100x35x1000 mm	2500	195
PH25S080	85991100	100x35x800 mm	2500	185
PH25S115	85991300	100x35x1150 mm	2500	205
PH25SO	85999247	100x35x1000 mm	2500	200
PH25V	85999248	100x35x1000 mm	2500	220
PH25DK	85999249	100x35x1000 mm	2500	225
PH25DKV	85999250	100x35x1000 mm	2500	245
PH33S	85999251	160x35x1000 mm (tapered)	3300	260
PH33S115	85991400	160x35x1150 mm (tapered)	3300	270
PH33V	85999252	160x35x1000 mm (tapered)	3300	280
PH33DK	85999253	160x35x1000 mm (tapered)	3300	380
PH33DKV	85999254	160x35x1000 mm (tapered)	3300	350
PH40S	85999255	140x40x1000 mm	4000	290

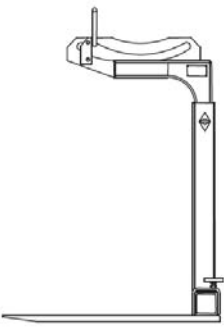
PH PALLET FORK ACCESSORIES

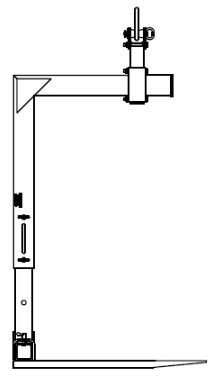
Model code	Hyva order number	Plates for prefab paving segments (incl. pegs)
OPH100165	85999261	Folding tines
OPH100160	85999260	Locking pin fork adjustment
OPH100100	85999256	Set of extra tines 100x35x650 mm (2.5 T)
OPH100101	85999257	Set of extra tines 100x35x800 mm (2.5 T)
OPH100103	85999258	Set of extra tines 100x35x1150 mm (2.5 T)
OPH100150	85999259	Bottom beam extension (1200 mm)
OPH100200	85999262	"S" weight balancer with horizontal attachment (half-moon)

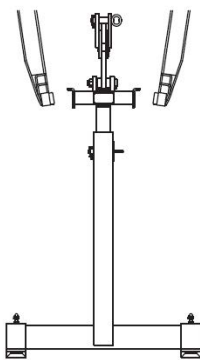


Standard		
	Lifting capacity	Lifting capacity
	2500 kg	4000 kg
	Weight	Weight
	175 kg ± 5%	185 kg ± 5%
	Adjustable height	Adjustable height
	1250-1500-1750 mm	1250-1500-1750 mm
Properties		
The semiautomatic weight balancer makes this an easy pallet fork to position accurately. This pallet fork should be used in combination with a rotator.		

Hydraulic	
	Lifting capacity
	1000 kg*
	Weight
	285 kg ± 5%
	Adjustable height
1500-1750 mm	
Properties	
Pallet fork that can fold its load up 90°. Ideal for passing plasterboard and insulation material through door and window openings in building projects.	

Universal		
	Lifting capacity	Lifting capacity
	2000 kg	2500 kg
	Weight	Weight
	150 kg ± 5%	150 kg ± 5%
	Adjustable height	Adjustable height
	1250-1500-1750 mm	1250-1500-1750 mm
Properties		
A universal pallet fork that is easy to use and can also be operated remotely.		

PH 2000	
	Lifting capacity
	2000 kg
	Weight
	160 kg**
	Adjustable height
1300-1550-1800 mm	
Properties	
The semiautomatic weight balancer makes this an easy pallet fork to position accurately.	

Brick clamp	
	Lifting capacity
	2500 kg
	Weight
	190 kg ± 5%
	Adjustable height
	1250-1550-1750 mm
Properties	
Standard pallet fork with clamp for attaching a brick clamp.	

* Tipping capacity
 ** Excluding pantograph

Design and model in accordance with the applicable standards.

ACCESSORIES:

- Various tine lengths available.
- Various bottom beam lengths available.
- Various heights available.
- Top section of the pallet fork can be rotated 90° for storage.
- Customized specifications available.

TECHNICAL DATA

TYPE LIFTING	LIFTING CAPACITY (TM)	HYDRAULIC REACH (M)	FOLDABLE (YES/NO)	SLEWING ANGLE (°)	HEIGHT (MM)	WIDTH (MM)	WEIGHT (KG)	LENGTH FOLDED CRANE (MM)
13-RL/62-2	13	6.2	YES	405	2392	2408	2000	1000
14-R/50-1	14	5.0	YES	400	2530	2550	2900	1082
14-R/60-2	14	6.0	YES	400	2440	2550	3000	1082
14-R/71-3	14	7.1	YES	400	2530	2550	3100	1082
14-R/84-4	14	8.4	YES	400	2570	2550	3200	1082
16-R/60-2	16	6.0	YES	400	2440	2550	3100	1082
16-R/71-3	16	7.1	YES	400	2530	2550	3200	1082
16-R/84-4	16	8.4	YES	400	2570	2550	3300	1082
R-24/74-3	24	7.3	YES	∞	2470	2515	4290	1370
R-24/87-4	24	8.7	YES	∞	2550	2515	4450	1370
R-24/100-3	24	10.0	NO	∞	2250	2515	4500	-
R-24/100-5	24	10.1	YES	∞	2550	2515	4620	1370
R-30/75-3	30	7.5	YES	∞	2470	2515	5400	1590
R-30/87-4	30	8.7	YES	∞	2550	2515	5550	1590
R-30/100-3	30	10.3	NO	∞	2300	2515	5750	-
R-30/120-4	30	12.2	NO	∞	2300	2515	6000	-
R-40/75-3	40	8.2	YES	∞	2470	2525	6140	1590
R-40/87-4	40	8.8	YES	∞	2550	2525	6300	1590
R-40/100-3	40	10.1	NO	∞	2360	2525	6500	-
R-40/120-4	40	12.0	NO	∞	2360	2525	6800	-



NOTES

NOTES

110 countries
+3500 employees
20,000 customers
+30 subsidiaries
12 production facilities



Hyva is a leading provider of innovative and highly efficient transport solutions for commercial vehicles used in the transport, construction, mining, materials handling and environmental service industries.

Founded in 1979 in the Netherlands, the company has a global presence with more than 30 wholly owned subsidiaries, extraordinary service coverage and 12 manufacturing facilities in Brazil, China, Europe and India.

For more information on Hyva, please visit www.hyva.com

or follow us on:



Hyva Holding B.V.
Antonie van Leeuwenhoekweg 37
2408 AK Alphen aan den Rijn
The Netherlands
Telephone: +31 (0)172 - 42 35 55
Telefax: +31 (0)172 - 42 08 80
info@hyva.com
www.hyva.com



Quality and
environmental certified

DEALER STAMP