

**HYFIX BODY CLAMP AND
POLYP GRIPPING DEVICE**

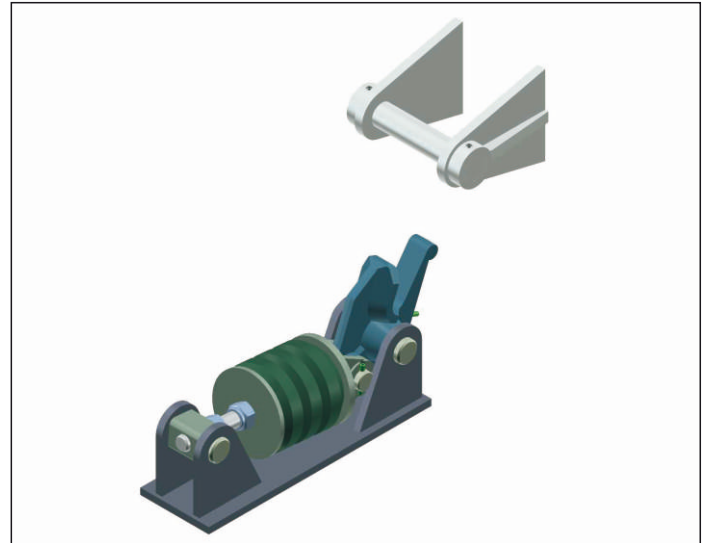
HYFIX BODY CLAMP AND POLYP GRIPPING DEVICE

INCREASE THE LIFE TIME OF YOUR TIPPER, USE THE HYVA HYFIX.

Hyva is the company that introduced the Hyfix to the worldwide tipper market. The Hyfix is recognised as a 'must have' for rear end tippers. It reduces the noise of a vehicle in motion but it's main achievement is the reduction of wear of truck components such as the cylinder, tipping hinges, tipper body and chassis. A tipper truck chassis receives enormous hammering from the tipper body caused by potholes and bumps in the road surface. The hyfix locks the body to the chassis making an end to the hammering.

08102855	Hyfix – set steel complete
08102867	Hyfix – set aluminium complete
08102864T	Hyfix steel excl. bracket
08102890T	Hyfix aluminium excl. bracket
14897167T	Hyfix bracket steel
14897168	Hyfix bracket aluminium

The Hyfix resists forces originating from an empty light weight body, long body silo tipper as well as from a heavy load situation. The compression load is adjustable from 0,25 to 1,6 tons Metric, sufficient to clamp down any empty tipper body.



08101000	Polyp rubber – set complete
08101012	Polyp rubber with base nut
08101024	Polyp cup steel
08101036	Polyp pin steel
08101037	Polyp pin aluminium

Besides the Hyfix Hyva also offers the Polyp gripping device. The polyps are ideal for application on 2- and 3 way tippers. The round shape allows the device to grab the polyp pin no matter from what side the body is lowered.



Both Hyfix and Polyp enables elastic seating and support of the tipper body. At the same time both products restrain the tipper body when driving on bad road conditions. Consult your Hyva dealer in case you like to learn more about our products or check out the catalogue on www.hyva.com.

